

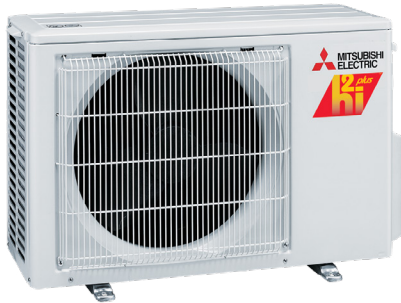
MSZ-FS09NA & MUZ-FS09NAH
9,000 BTU/H DELUXE WALL-MOUNTED INDOOR UNIT
9,000 BTU/H HYPER-HEATING OUTDOOR UNIT W/BASE PAN HEATER



Job Name:

System Reference:

Date:



Indoor Unit.....MSZ-FS09NA

Outdoor Unit.....MUZ-FS09NAH

INDOOR UNIT FEATURES

- Slim wall-mounted indoor units provide zone comfort control
- Dual Barrier Coating applied to the heat exchanger, vanes and fan to prevent hydrophilic and hydrophobic dirt build-up
- Multiple fan speed options: Quiet, Low, Medium, High, Super-high, Auto
- 3D i-see Sensor® enables advance features:
 - Indirect or Direct Airflow for personalized comfort
 - Absence Detection for energy-saving mode
- Double Vane features:
 - Separates airflow to deliver air across a large area
 - Simultaneously deliver to air separate sections of a room
 - Generates more comfortable natural airflow pattern
- Multiple control options available:
 - Back-lit screen handheld remote controller (provided with unit)
 - kumo cloud® smart device app for remote access
 - Third-party interface options
 - Wired or wireless controllers
- Triple-action Filtration: Nano Platinum Filter, Deodorizing Filter, & Electrostatic Anti-Allergy Enzyme Filter
- Hot-Start Technology: no cold air rush at equipment startup or when restarting after Defrost Cycle
- Quiet operation

OUTDOOR UNIT FEATURES

- INVERTER-driven compressor and LEV provide high efficiency and comfort while using only the energy needed to maintain maximum performance
- H2i plus™ performance offers 100% heating capacity at -5° and 70% to 81% heating capacity at -13° F
- Blue Fin anti-corrosion treatment applied to the outdoor unit heat exchanger for increased coil protection and longer life
- Built-in base pan heater

SPECIFICATIONS: MSZ-FS09NA & MUZ-FS09NAH

| | | | |
|---|---|---------------------|--|
| Cooling at 95°F ¹ | Maximum Capacity | BTU/H | 12,000 |
| | Rated Capacity | BTU/H | 9,000 |
| | Minimum Capacity | BTU/H | 1,700 |
| | Maximum Power Input | W | 1,000 |
| | Rated Power Input | W | 560 |
| | Moisture Removal | Pints/h | 0.6 |
| | Sensible Heat Factor | | 0.92 |
| Heating at 47°F ² | Power Factor | % | 89.0/90.0 |
| | Maximum Capacity | BTU/H | 18,000 |
| | Rated Capacity | BTU/H | 9,600 |
| | Minimum Capacity | BTU/H | 1,600 |
| | Maximum Power Input | W | 1,740 |
| | Rated Power Input | W | 620 |
| Heating at 17°F ³ | Power Factor | % | 92.0/92.0 |
| | Maximum Capacity | BTU/H | 14,170 |
| | Rated Capacity | BTU/H | 5,900 |
| | Maximum Power Input | W | 1,710 |
| Heating at 5°F ⁴ | Rated Power Input | W | 580 |
| | Maximum Capacity | BTU/H | 11,590 |
| Heating at -5°F ⁶ | Maximum Power Input | W | 1,540 |
| Heating at -13°F ⁷ | Maximum Capacity | BTU/H | 9,600 |
| Efficiency | Maximum Capacity | BTU/H | 8,000 |
| | SEER | | 30.5 |
| | EER ¹ | | 16.05 |
| | HSPF [IV] | | 12.5 |
| | COP at 47°F ² | | 4.54 |
| | COP at 17°F at Maximum Capacity ³ | | 2.43 |
| | COP at 5°F at Maximum Capacity ⁴ | | 2.0 |
| | COP at -5°F at Maximum Capacity ⁶ | | 2.0 |
| Electrical | COP at -13°F at Maximum Capacity ⁷ | | 1.71 |
| | ENERGY STAR® Certified | | Yes |
| | Voltage, Phase, Frequency | | 208/230, 1, 60 |
| | Guaranteed Voltage Range | V AC | 187 - 253 |
| | Voltage: Indoor - Outdoor, S1-S2 | V AC | 208/230 |
| | Voltage: Indoor - Outdoor, S2-S3 | V DC | 24 |
| | Short-circuit Current Rating [SCCR] | kA | 5 |
| | Recommended Fuse/Breaker Size (Outdoor) | A | 15 |
| | Recommended Wire Size [Indoor - Outdoor] | AWG | 14 |
| | Power Supply | | Indoor unit is powered by the outdoor unit |
| Indoor Unit | MCA | A | 1.0 |
| | Fan Motor Full Load Amperage | A | 0.65 |
| | Fan Motor Output | W | 40 |
| | Fan Motor Type | | DC Motor |
| | Airflow Rate at Cooling, Dry | CFM | 137-167-221-304-381 |
| | Airflow Rate at Cooling, Wet | CFM | 117-143-190-261-328 |
| | Airflow Rate at Heating, Dry | CFM | 140-167-225-325-437 |
| | Sound Pressure Level [Cooling] | dB[A] | 20-23-29-36-40 |
| | Sound Pressure Level [Heating] | dB[A] | 20-24-29-39-42 |
| | Drain Pipe Size | In. [mm] | 5/8 [15.88] |
| | Coating on Heat Exchanger | | Dual Barrier Coating |
| | External Finish Color | | Munsell 1.0Y 9.2/0.2 |
| | Unit Dimensions | W x D x H: In. [mm] | 36-7/16 x 9-3/16 x 12 (+11/16) [925 x 234 x 305 (+17)] |
| | Package Dimensions | W x D x H: In. [mm] | 39 x 12-1/4 x 15-1/2 [990 x 310 x 400] |
| | Unit Weight | Lbs. [kg] | 29 [13.5] |
| Package Weight | Lbs. [kg] | 34 [15.4] | |
| Indoor Unit Operating Temperature Range | Cooling Intake Air Temp [Maximum / Minimum]* | °F | 90 DB, 73 WB / 67 DB, 57 WB |
| | Heating Intake Air Temp [Maximum / Minimum] | °F | 80 DB / 70 DB |

NOTES:

AHRI Rated Conditions

(Rated data is determined at a fixed compressor speed)

¹Cooling (Indoor // Outdoor)

°F 80 DB, 67 WB // 95 DB, 75 WB

²Heating at 47°F (Indoor // Outdoor)

°F 70 DB, 60 WB // 47 DB, 43 WB

³Heating at 17°F (Indoor // Outdoor)

°F 70 DB, 60 WB // 17 DB, 15 WB

Conditions

⁴Heating at 5°F (Indoor // Outdoor)

°F 70 DB, 60 WB // 5 DB, 4 WB

⁵Heating at -4°F (Indoor // Outdoor)

°F 70 DB, 60 WB // -4 DB, -5 WB

⁶Heating at -5°F (Indoor // Outdoor)

°F 70 DB, 60 WB // -5 DB, -6 WB

⁷Heating at -13°F (Indoor // Outdoor)

°F 70 DB, 60 WB // -13 DB, -14 WB

*Outdoor Unit Operating Temperature Range (Cooling Air Temp (Maximum / Minimum)):

• Applications should be restricted to comfort cooling only; equipment cooling applications are not recommended for low ambient temperature conditions.

**Outdoor Unit Operating Temperature Range (Cooling Thermal Lock-out / Re-start Temperatures; Heating Thermal Lock-out / Re-start Temperatures):

• System cuts out in heating mode to avoid thermistor error and automatically restarts at these temperatures.

SPECIFICATIONS: MSZ-FS09NA & MUZ-FS09NAH

| | | | | |
|--|--|--|--|----------------|
| Outdoor Unit | MCA | A | 10.0 | |
| | MOCP | A | 15 | |
| | Fan Motor Full Load Amperage | A | 0.5 | |
| | Fan Motor Output | W | 55 | |
| | Airflow Rate | CFM | 1141/1183 | |
| | Refrigerant Control | | LEV | |
| | Defrost Method | | Reverse Cycle | |
| | Coating on Heat Exchanger | | Blue Fin Coating | |
| | Sound Pressure Level, Cooling ¹ | dB(A) | 48 | |
| | Sound Pressure Level, Heating ² | dB(A) | 49 | |
| | Compressor Type | | Twin Rotary | |
| | Compressor Model | | SNB092FQAMT | |
| | Compressor Rated Load Amps | A | 9.2 | |
| | Compressor Locked Rotor Amps | A | 7.4 | |
| | Compressor Oil Type // Charge | oz. | FV50S // 0.35 | |
| | External Finish Color | | Munsell 3Y 7.8/1.1 | |
| | Base Pan Heater | | Built-in | |
| | Unit Dimensions | W x D x H: In. [mm] | 31-1/2 x 11-1/4 x 21-5/8 [800 x 285 x 550] | |
| | Package Dimensions | W x D x H: In. [mm] | 37 x 15 x 24-1/2 [940 x 380 x 630] | |
| | Unit Weight | Lbs. [kg] | 83 [37.5] | |
| | Package Weight | Lbs. [kg] | 89 [40] | |
| | Outdoor Unit Operating Temperature Range | Cooling Air Temp [Maximum / Minimum]* | °F | 115 DB / 14 DB |
| | | Cooling Thermal Lock-out / Re-start Temperatures** | °F | -4 / 0 |
| Heating Air Temp [Maximum / Minimum] | | °F | 75 DB, 65 WB / -13 DB, -14 WB | |
| Heating Thermal Lock-out / Re-start Temperatures** | | °F | -18 / -14 | |
| Refrigerant | Type | | R410A | |
| | Charge | Lbs, oz | 2, 9.0 | |
| | Chargeless Piping Length | Ft. [m] | 25.0 [7.5] | |
| | Additional Refrigerant Charge Per Additional Piping Length | oz./Ft. [g/m] | 0.216 [20] | |
| Piping | Gas Pipe Size O.D. [Flared] | In.[mm] | 3/8 [9.52] | |
| | Liquid Pipe Size O.D. [Flared] | In.[mm] | 1/4 [6.35] | |
| | Maximum Piping Length | Ft. [m] | 65 [20] | |
| | Maximum Height Difference | Ft. [m] | 40 [12] | |
| | Maximum Number of Bends | | 10 | |

NOTES:

AHRI Rated Conditions

(Rated data is determined at a fixed compressor speed)

| | | |
|--|----|------------------------------|
| ¹ Cooling (Indoor // Outdoor) | °F | 80 DB, 67 WB // 95 DB, 75 WB |
| ² Heating at 47°F (Indoor // Outdoor) | °F | 70 DB, 60 WB // 47 DB, 43 WB |
| ³ Heating at 17°F (Indoor // Outdoor) | °F | 70 DB, 60 WB // 17 DB, 15 WB |

Conditions

| | | |
|---|----|--------------------------------|
| ⁴ Heating at 5°F (Indoor // Outdoor) | °F | 70 DB, 60 WB // 5 DB, 4 WB |
| ⁵ Heating at -4°F (Indoor // Outdoor) | °F | 70 DB, 60 WB // -4 DB, -5 WB |
| ⁶ Heating at -5°F (Indoor // Outdoor) | °F | 70 DB, 60 WB // -5 DB, -6 WB |
| ⁷ Heating at -13°F (Indoor // Outdoor) | °F | 70 DB, 60 WB // -13 DB, -14 WB |

*Outdoor Unit Operating Temperature Range (Cooling Air Temp (Maximum / Minimum)):

- Applications should be restricted to comfort cooling only; equipment cooling applications are not recommended for low ambient temperature conditions.

**Outdoor Unit Operating Temperature Range (Cooling Thermal Lock-out / Re-start Temperatures; Heating Thermal Lock-out / Re-start Temperatures):

- System cuts out in heating mode to avoid thermistor error and automatically restarts at these temperatures.

INDOOR UNIT ACCESSORIES: MSZ-FS09NA

| | | |
|----------------------------|---|-------------------|
| Control Interface | BACnet® and Modbus® Interface | PAC-UKPRC001-CN-1 |
| | CN24 Relay Kit | CN24RELAY-KIT-CM3 |
| | IT Extender | PAC-WHS01IE-E |
| | kumo station® for kumo cloud® | PAC-WHS01HC-E |
| | Lockdown bracket for remote controller | RCMKP1CB |
| | System Control Interface | MAC-334IF-E |
| | Thermostat Interface | PAC-US444CN-1 |
| | USNAP Adapter | PAC-WHS01UP-E |
| Remote Sensor | Wireless Interface for kumo cloud® | PAC-USWHS002-WF-2 |
| | Wired Remote Sensor | M21EAA307 |
| Wired Remote Controller | Wireless temperature and humidity sensor for kumo cloud® | PAC-USWHS003-TH-1 |
| | Deluxe Wired MA Remote Controller† | PAR-40MAAU |
| | Simple MA Remote Controller† | PAC-YT53CRAU-J |
| Wireless Remote Controller | Touch MA Controller† | PAR-CT01MAU-SB |
| | kumo touch™ RedLINK™ Wireless Controller | MHK2 |
| Condensate | Blue Diamond (Advanced) Mini Condensate Pump w/ Reservoir & Sensor (208/230V) [recommended] | X87-721 |
| | Blue Diamond (MicroBlue) Mini Condensate Pump (110/208/230V) up to 18,000 BTU/H | X85-003 |
| | Blue Diamond Alarm Extension Cable — 6.5 Ft. | C13-192 |
| | Blue Diamond MultiTank — collection tank for use with multiple pumps | C21-014 |
| | Blue Diamond Sensor Extension Cable — 15 Ft. | C13-103 |
| | Drain Pan Level Sensor/Control | SS610E |
| | Fascia Kit for MicroBlue Pump, mounts the MicroBlue and sensor directly beneath indoor unit | T18-016 |
| | Sauermann Condensate Pump | SI30-230 |
| Disconnect Switch | (30A/600V/UL) [fits 2" X 4" utility box] - Black | TAZ-MS303 |
| | (30A/600V/UL) [fits 2" X 4" utility box] - White | TAZ-MS303W |
| Filter | Electro Static Anti-allergy Enzyme Filter | MAC-2330FT-E |
| | Platinum Deodorizing Filter | MAC-3000FT-E |
| Lineset | 15' x 1/4" x 15' / 3/8" Lineset (Twin-Tube Insulation) | MLS143812T-15 |
| | 30' x 1/4" x 30' / 3/8" Lineset (Twin-Tube Insulation) | MLS143812T-30 |
| | 50' x 1/4" x 50' / 3/8" Lineset (Twin-Tube Insulation) | MLS143812T-50 |
| | 65' x 1/4" x 65' / 3/8" Lineset (Twin-Tube Insulation) | MLS143812T-65 |

NOTES:

†Requires MAC-334IF-E

- M-Series EZ FIT® Recessed Ceiling Cassette, Floor-mount and Wall-mount
Allows indoor units to connect to an MA Controller:
 - Deluxe MA Remote Controller
 - Simple MA Controller
 - Touch MA Controller

OUTDOOR UNIT ACCESSORIES: MUZ-FS09NAH

| | | |
|------------------|--|-------------|
| Air Outlet Guide | Air Outlet Guide | MAC-881SG |
| Drain Socket | Drain Socket | MAC-811DS |
| Hail Guards | Hail Guard | HG-B4 |
| Mini-Split Wire | 14 Gauge, 4 wire MiniSplit Cable—250 ft. roll | S144-250 |
| | 14 Gauge, 4 wire MiniSplit Cable—50 ft. roll | S144-50 |
| | 16 Gauge, 4 wire MiniSplit Cable—250 ft. roll | S164-250 |
| | 16 Gauge, 4 wire MiniSplit Cable—50 ft. roll | S164-50 |
| Mounting Pad | Condensing Unit Mounting Pad: 16" x 36" x 3" | ULTRILITE1 |
| | Outdoor Unit 3-1/4 inch Mounting Base (Pair) - Plastic | DSD-400P |
| Stand | 18" Single Fan Stand | QSMS1801M |
| | 24" Single Fan Stand | QSMS2401M |
| | Condenser Wall Bracket | QSWB2000M-1 |
| | Condenser Wall Bracket -Stainless Steel Finish | QSWBSS |
| | Outdoor Unit Stand — 12" High | QSMS1201M |

INDOOR UNIT DIMENSIONS: MSZ-FS09NA

Unit: inch



(06/09/12 KBTU/H)

| | | |
|------------|-------------|--|
| Piping | Insulation | φ1-7/16 O.D |
| | Liquid line | φ1/4 19-11/16 (Flared connection φ1/4) |
| | Gas line | φ3/8 16-15/16 (Flared connection φ3/8) |
| Drain hose | Insulation | φ1-1/8 Connected part φ5/8 O.D |

(15/18 KBTU/H)

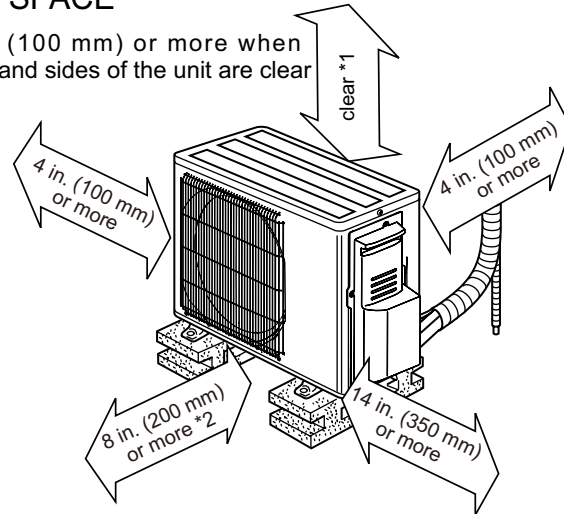
| | | |
|------------|-------------|--|
| Piping | Insulation | φ1-7/16 O.D |
| | Liquid line | φ1/4 19-11/16 (Flared connection φ1/4) |
| | Gas line | φ3/8 16-15/16 (Flared connection φ1/2) |
| Drain hose | Insulation | φ1-1/8 Connected part φ5/8 O.D |

OUTDOOR UNIT DIMENSIONS: MUZ-FS09NAH

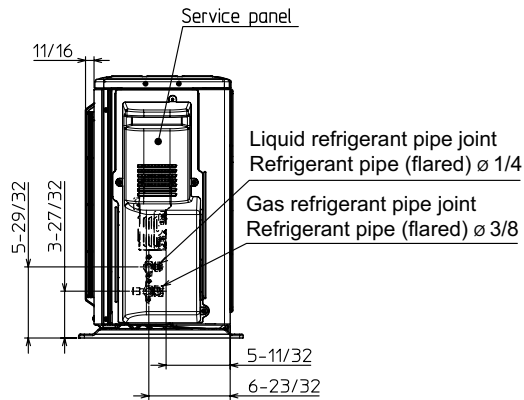
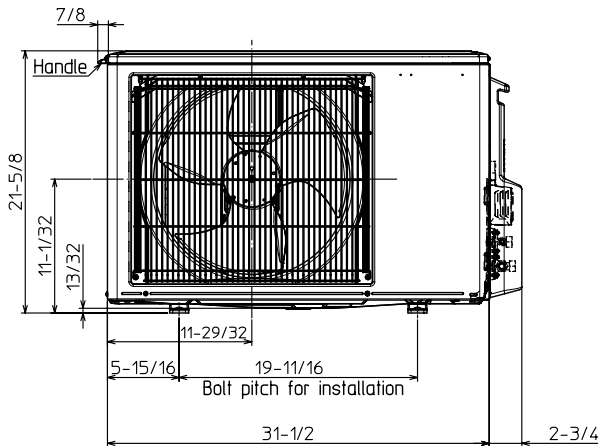
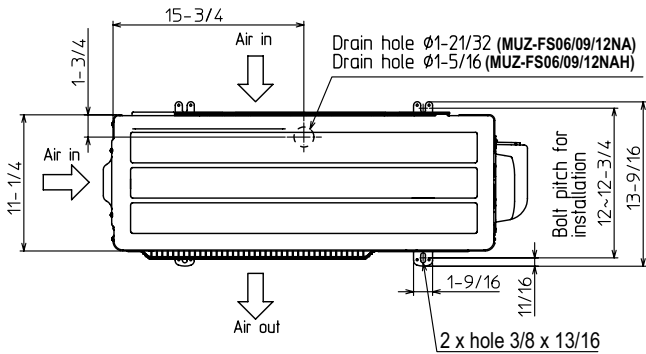
Unit: inch

REQUIRED SPACE

*1 4 in. (100 mm) or more when front and sides of the unit are clear



*2 When any 2 sides of left, right and rear of the unit are clear



1340 Satellite Boulevard Suwanee, GA 30024
Toll Free: 800-433-4822 www.mehvac.com

FORM# MSZ-FS09NA & MUZ-FS09NAH - 202108

