

Job Name:	
System Reference:	Date:



Indoor Unit: MFZ-KJ18NA-U1



Wireless Remote Controller



Outdoor Unit: MUFZ-KJ18NAHZ-U1

### ACCESSORIES:

#### Indoor Unit

- Condensate Pump (BlueDiamond X87-711/721; 115/230V)
- Condensate Pump (Sauermann SI30-115/230; 115/230V)
- Anti-Allergy Enzyme Filter (MAC-408FT-E)
- Drain Pan Level Sensor (DPLS2)

#### Outdoor Unit

- Outdoor Mounting Pad (ULTRILITE1)
- 3-1/4" Mounting Base [Pair] (DSD-400P)
- Air Outlet Guide (MAC-886SG)
- Wall Mounting Bracket (QSWB2000M-1)

#### Controls

- Wireless Controller (MHK1)
- Wired Remote Controller PAR-32MAA (Requires MAC-333IF-E)
- Wireless Interface for kumo cloud™ (PAC-WHS01WF-E)
- Thermostat Interface (PAC-US444CN-1)

### SPECIFICATIONS:

Rated Conditions (Capacity / Input)		
Cooling <sup>1</sup>	Btu/h / W	17,000 / 1,350
Heating at 47° F <sup>2</sup>	Btu/h / W	21,000 / 1,730

Capacity Range		Minimum	Maximum
Cooling <sup>1</sup>	Btu/h	5,300	22,500
Heating at 47° F <sup>2</sup>	Btu/h	5,700	29,000
Heating at 17° F <sup>3</sup>	Btu/h	-	23,000
Heating at 5° F <sup>4</sup>	Btu/h	-	21,000

<sup>1</sup> Cooling | Indoor: 80° F (27° C) DB / 67° F (19° C) WB; Outdoor: 95° F (35° C) DB / 75° F (24° C) WB\*  
<sup>2</sup> Heating at 47° F | Indoor: 70° F (21° C) DB / 60° F (16° C) WB; Outdoor: 47° F (8° C) DB / 43° F (6° C) WB\*  
<sup>3</sup> Heating at 17° F | Indoor: 70° F (21° C) DB / 60° F (16° C) WB; Outdoor: 17° F (-8° C) DB / 15° F (-9° C) WB\*  
<sup>4</sup> Heating at 5° F | Indoor: 70° F (21° C) DB / 60° F (16° C) WB; Outdoor: 5° F (-15° C) DB / 5° F (-15° C) WB\*  
 \* Rating Conditions per AHRI Standard:

Operating Conditions (Indoor Intake Air Temp.) (Max./ Min.)	
Cooling <sup>5</sup>	90° F (32° C) DB / 67° F (19° C) DB
Heating	80° F (27° C) DB / 70° F (21° C) DB

Operating Conditions (Outdoor Intake Air Temp.) (Max./ Min.)	
Cooling <sup>5</sup>	115 F (46° C) DB / 14° F (-10° C) DB
Heating	75° F (24° C) DB / -4° F (-20° C) DB**

<sup>5</sup> Applications should be restricted to comfort cooling only; equipment cooling applications are not recommended for low ambient temperature conditions.  
 \*\* System cuts out at -18° F (-28° C) to avoid thermistor error and automatically restarts at -4° F (-20° C).

AHRI Efficiency Ratings	
SEER / HSPF	21.0 / 11.3
COP at 47° F / 17° F	3.5 / 2.62

<b>Energy Star®</b>	Yes
---------------------	-----

ENERGY STAR products are third-party certified by an EPA-recognized Certification Body.

Specifications are subject to change without notice.

Electrical		
Electrical Power Requirements	208 / 230V, 1-Phase, 60 Hz	
MCA: Indoor   Outdoor	A	1   16
Recommended Fuse/ Breaker Size	A	20

Indoor Unit		
Blower Motor ECM   Output.	0.72   40 W	
SHF   Moisture Removal	0.65   4.4 pt./h	
Field Drainpipe Size O.D.	In.(mm)	5/8 (15)

Outdoor Unit		
Compressor	DC INVERTER-driven Twin Rotary	
Fan Motor (ECM)	F.L.A.	0.93

Airflow Rate (Quiet - Lo - Med - Hi - Super Hi)			
Indoor (Cooling)	DRY	CFM	198-254-328-420-491
	WET		168-216-279-357-417
Indoor (Heating)	DRY		212-268-328-399-470
Outdoor			1,653 / 1,730

Sound Pressure Level (Quiet - Lo - Med - Hi - Super Hi)		
Indoor: Cooling   Heating	dB(A)	28-33-39-45-50   29-35-40-45-49
Outdoor: Cooling   Heating		51   55

Unit Dimensions		
Indoor   Outdoor (H x W x D)	In.	23-5/8 x 29-17/32 x 8-15/32 34-5/8 x 33-1/16 x 13
	mm	600 x 750 x 215   880 x 840 x 330

Package Dimensions		
Indoor   Outdoor (H x W x D)	In.	27-3/4 x 32-3/4 x 12 39 x 38-3/4 x 16-3/4
	mm	693 x 816 x 275   990 x 980 x 420

Unit/Package Weight		
Unit: Indoor   Outdoor	Lbs.(kg)	33 (15)   124 (56)
Package: Indoor   Outdoor	Lbs.(kg)	41 (18.5)   144 (65)

External Finish	
Indoor   Outdoor	Munsell 1.0Y 9.2 / 0.2   Munsell No. 3Y 7.8 / 1.1

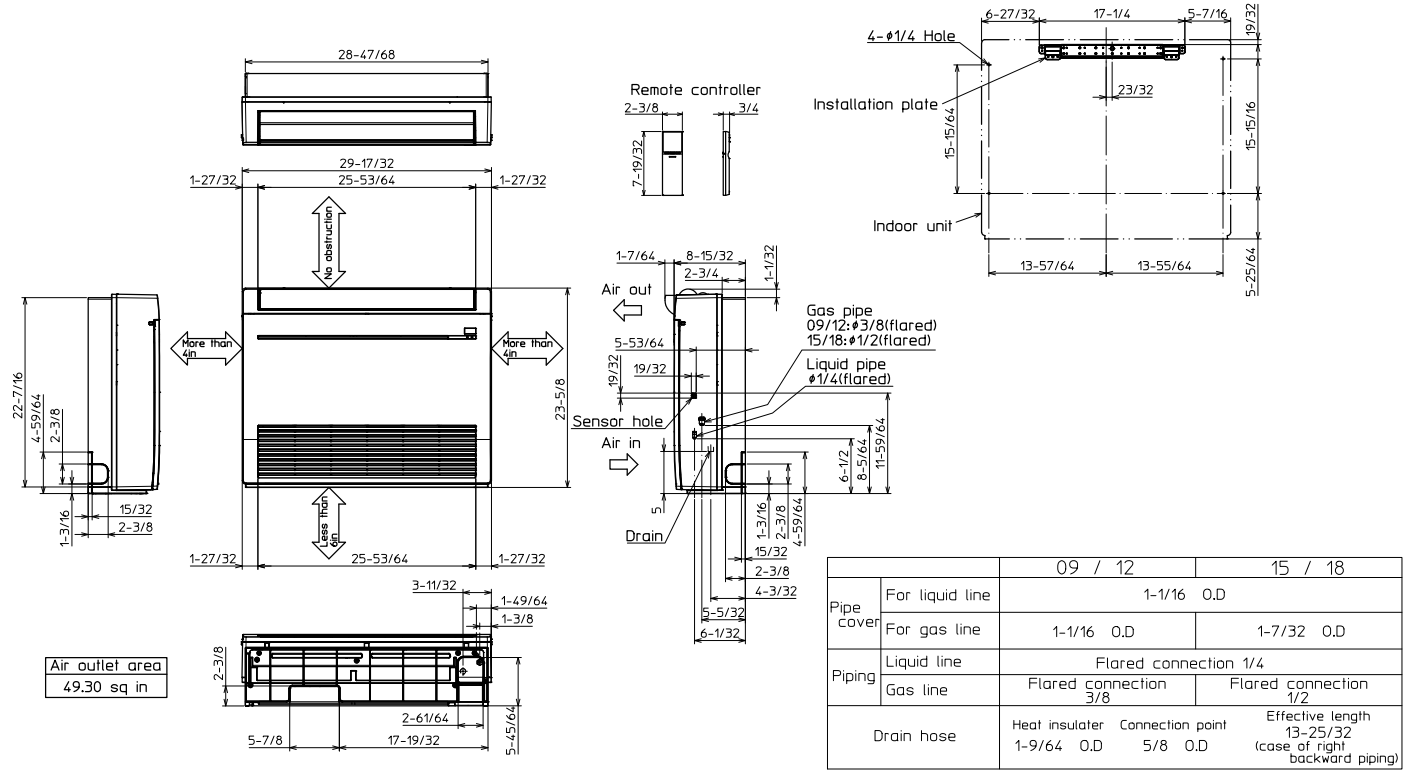
<b>Refrigerant</b>	R410A; 3 lb. 5 oz.
--------------------	--------------------

Refrigerant Piping (Flared)		
Liquid (High Pressure)	In.(mm)	1/4 (6.35)
Gas (Low Pressure)		1/2 (12.7)
Max. Total Refrigerant Pipe Length (Height Diff.)	Ft. (m)	50 (15)
Max. Total Refrigerant Pipe Length (Length.)		100 (30)

# DIMENSIONS: MFZ-KJ18NA-U1 & MUFZ-KJ18NAHZ-U1

## MFZ-KJ18NA-U1

Unit: in.

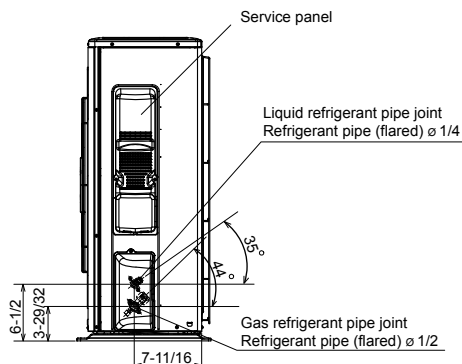
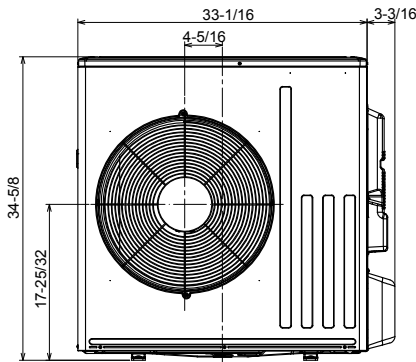
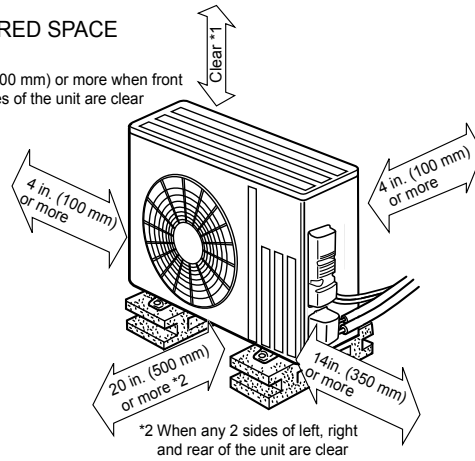
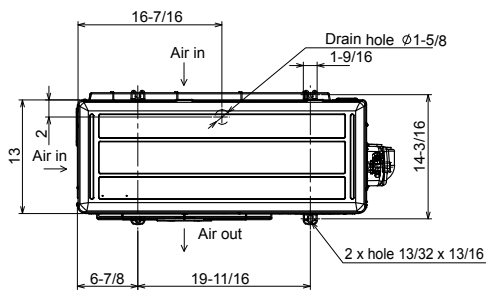


## MUFZ-KJ18NAHZ-U1

Unit: in. (mm)

### REQUIRED SPACE

\*1 20 in. (500 mm) or more when front and sides of the unit are clear



COOLING & HEATING

1340 Satellite Boulevard, Suwanee, GA 30024  
 Toll Free: 800-433-4822 www.mehvac.com