



RKKN-B

Parts List
12-July-2018



*This parts list is current as of the above revision date.
See <http://www.rheempartslists.net/92-42801-RKKN-B.pdf> for the current revision.*

Package Gas-Electric - Commercial

Table of Contents

Model Explanation.....	Page 3
Parts Numbers	
Panels - Miscellaneous 072.....	Page 4
Panels - Miscellaneous 073.....	Page 5
Electrical Group 072.....	Page 6
Fan Group 072.....	Page 6
Electrical Group 073.....	Page 7
Fan Group 073.....	Page 7
Blower Group 072.....	Page 8
Blower Group 073.....	Page 9
Coil Parts 072.....	Page 10
Compressor Group 072.....	Page 10
Coil Parts 073.....	Page 11
Compressor Group 073.....	Page 11
Heat Exchanger-Burner Group 072.....	Page 12
Heat Exchanger-Burner Group 073.....	Page 13
Gas Controls 072.....	Page 14
Gas Controls 073.....	Page 15
Accessories 072.....	Page 16
Accessories 073.....	Page 17
Orifice Selection Chart.....	Page 18
Drawings/Photographs	
Exploded View.....	Page 19
Top Panel.....	Page 20
Side Panels.....	Page 21
Top Interior.....	Page 22
Blower Assembly - Belt Drive.....	Page 23
Control Box.....	Page 24
Blower Motor Mount Assembly - Belt Drive.....	Page 25
Plate Disconnect and Receptacle.....	Page 26
Evaporator Coil - Filter Channels.....	Page 27
Heating Section.....	Page 27
Heat Exchanger Assembly.....	Page 28
Burner Assembly.....	Page 28
Condenser and Coil Pads.....	Page 29
Compressor - Refrigeration Group.....	Page 30
Notes.....	Page 31

MODEL NUMBER EXPLANATION

R	K	K	N	-	B	0	7	2	C	L	1	0	E	X	X	A
1	2	3	4		5		6		7	8	9		10		11	12

- | | |
|---|---|
| <p>1 TRADENAME</p> <p>2 K = ROOFTOP - COMMERCIAL</p> <p>3 EFFICIENCY DESIGNATION
K = ASRAE 90.1-2007 Compliant</p> <p>4 DESIGN SERIES
N = (R-410A)</p> <p>5 TECHNICAL VARIATIONS
B = FIRST DESIGN SERIES</p> <p>6 COOLING CAPACITY (BTU/HR)
072 = 72,000
073 = 73,000</p> <p>7 ELECTRIC DESIGNATION
C = 208-230/3/60
D = 460/3/50
Y = 575/3/60
N = 380-415/3/50
P = 200-220/3/50</p> | <p>8 DRIVE PACKAGE
L = Belt Drive
M = Belt Drive - High Static</p> <p>9 HEAT CAPACITY (MBH)
10 = 100,000
11 = 110,000
13 = 135,000</p> <p>10 IGNITION SYSTEM
E = Electric</p> <p>11 FACTORY INSTALLED OPTIONS</p> <p>12 ECONOMIZER OPTION
A = No Economizer
F = Single Enthalpy Economizer with Barometric Relief
G = Single Enthalpy Economizer with Barometric Relief and Smoke Detector</p> |
|---|---|

SERIAL NUMBER EXPLANATION

F	0	8	1	3	9	9	9	9
(1)	(2)	(3)	(4)					

- (1) PLANT CODE
- (2) WEEK (DATE CODE)
- (3) YEAR
- (4) PRODUCTION NUMBER

**Note: For Compressor Identification Number, see Compressor Code on Rating Plate
For Gas Code, see Control System Gas Code on Rating Plate**

No.	Notes	MODEL TECHNICAL VARIATION COOLING CAPACITY	RKKN- B 072
PANELS, MISCELLANEOUS PARTS			
1		Base Rail - Side (2)	AE-58900-02
2		Base Rail - Condenser End	AE-58901-01
3		Base Rail - Evaporator End	AE-58902-01
4		Outdoor Coil Base Pan	AS-59051-03H
5		Indoor Coil Base Pan	AS-58910-06
7		Condenser Bulkhead (Does not include Limit Baffle or Tube Support Angles)	AS-103276-01
		Limit Baffle - Attached To Condenser Bulkhead (10E Heat Capacity)	AE-58913-02
		Limit Baffle - Attached To Condenser Bulkhead (13E Heat Capacity)	AE-58913-01
		Tube Support Angle - Attached To The Condenser. Bulkhead	AE-59139-01
8		Blower Bulkhead (Does not include Tube Support Angle, Blower ExtensionS, or Insulation Retainer)	AS-103385-01
		Tube Support Angle (Small piece attached to the Blower Bulkhead)	AE-59139-02
9		Blower Extension - Front	AE-58928-01
10		Blower Extension - Back	AE-58928-02
		Insulation Retainer	AE-59059-01
11		Wire Chase Insulation Assembly	AS-103291-01
12a		Corner Post (2)	AS-58965-01H
12b		Front Post	AS-58967-01H
13		Stripping (Front Post)	AE-58897-11
14		Louvered Panel	See Accessories
15		Louvered Panel	See Accessories
16		Louvered Panel	See Accessories
17a		Supply Panel	AS-58992-01HT
17b		Return Panel	AS-58992-03HT
18		Rear Panel (Includes Insulation, Filler Panel, and Stripping)	AS-58976-02H
19		Filler Panel - Return Air	AS-58974-02H
		Filler Panel Stripping	AE-58897-43
20		Blower/Filter Access Panels (2)	AS-58990-01H
21		Post - Left End	AS-58973-01H
22		Front Panel	AS-59132-05H
23		Grommet	56-22114-06
24a		Heating Compartment Access Panel - Upper	AS-58988-03H
24b		Heating Compartment Access Panel - Lower	AS-58987-06H
25		Flue Hood Assembly - Inlet and Outlet	AS-58945-04
		Mounting Panel - External Disconnect	AE-59133-01
26		Control Box Access Panel	AS-103284-01H
27a		Control Box Insert Panel	AS-103283-01H
27b		Disconnect Plate	AS-90756-05H
27c		Receptacle Plate	AS-90756-02H
27d		Button Plug	45-22980-09
27e		Star Bushing	45-18515-01
28		Post - Front	AS-103288-01H
29		Indoor Coil Top Panel Assembly	AS-58979-02H
30a		Condenser Top Panel Assembly	AS-58981-01H
30b		Condenser Top Support	AE-58980-01
32		Wire Grille	95-101660-01
34a		Control Box Top	AE-103282-01
34b		Control Box (w/o components)	AS-103281-01

No.	Notes	MODEL TECHNICAL VARIATION COOLING CAPACITY	RKKN- B 073
PANELS, MISCELLANEOUS PARTS			
1		Base Rail - Side (2)	AE-58900-02
2		Base Rail - Condenser End	AE-58901-01
3		Base Rail - Evaporator End	AE-58902-01
4		Outdoor Coil Base Pan	AS-59051-03HT
5		Indoor Coil Base Pan	AS-58910-06
7		Condenser Bulkhead (Does not include Limit Baffle or Tube Support Angles)	AS-103276-01
		Limit Baffle - Attached To Condenser Bulkhead (10E Heat Capacity)	AE-58913-02
		Limit Baffle - Attached To Condenser Bulkhead (13E Heat Capacity)	AE-58913-01
		Tube Support Angle - Attached To The Condenser. Bulkhead	AE-59139-01
8		Blower Bulkhead (Does not include Tube Support Angle, Blower ExtensionS, or Insulation Retainer)	AS-103385-01
		Tube Support Angle (Small piece attached to the Blower Bulkhead)	AE-59139-02
9		Blower Extension - Front	AE-58928-01
10		Blower Extension - Back	AE-58928-02
		Insulation Retainer	AE-59059-01
11		Wire Chase Insulation Assembly	AS-103291-01
12a		Corner Post (2)	AE-58965-01HT
12b		Front Post	AE-58967-01HT
13		Stripping (Front Post)	AE-58897-11
14		Louvered Panel	See Accessories
15		Louvered Panel	See Accessories
16		Louvered Panel	See Accessories
17a		Supply Panel	AS-58992-01HT
17b		Return Panel	AS-58992-03HT
18		Rear Panel (Includes Insulation, Filler Panel, and Stripping)	AS-58976-02HT
19		Filler Panel - Return Air	AE-58974-02HT
		Filler Panel Stripping	AE-58897-43
20		Blower/Filter Access Panels (2)	AS-58990-01HT
21		Post - Left End	AS-58973-03HT
22		Front Panel	AS-59132-05HT
23		Grommet	56-22114-06
24a		Heating Compartment Access Panel - Upper	AS-58988-03HT
24b		Heating Compartment Access Panel - Lower	AE-58987-06HT
25		Flue Hood Assembly - Inlet and Outlet	AS-58945-04
26		Control Box Access Panel	AE-103284-01HT
27a		Control Box Insert Panel	AE-103284-01HT
27b		Disconnect Plate	AE-90756-05HT
27c		Receptacle Plate	AE-90756-02HT
27d		Button Plug	45-22980-09
27e		Star Bushing	45-18515-01
28		Post - Front	AE-103288-01HT
29		Indoor Coil Top Panel Assembly	AS-58979-02HT
30a		Condenser Top Panel Assembly	AE-58981-01HT
30b		Condenser Top Support	AE-58980-01
32		Wire Grille	95-101660-01
34a		Control Box Top	AE-103282-01
34b		Control Box (w/o components)	AS-103281-01

No.	Notes	MODEL TECHNICAL VARIATION COOLING CAPACITY ELECTRICAL DESIGNATION	RKKN- B 072 C	RKKN- B 072 D	RKKN- B 072 Y
ELECTRIC GROUP					
CONTROL BOX COMPONENTS:					
37		Capacitor - Fan Motor		See Fan Group	
39		Compressor Time Delay Relay		See Accessories	
40a		Compressor Contactor		See Compressor Group	
40b	Stk	Blower Contactor	42-102664-03	42-102664-08	42-102664-03
41		Relay - Inducer Blower	N/A	42-19736-04	N/A
42		Ground Lug	45-19000-01	45-19000-01	45-19000-01
43a	Stk	Transformer	46-103324-01	46-103324-02	46-103324-01
43b	Stk	Transformer - Step Down	N/A	N/A	46-23585-01
43c	Stk	Integrated Furnace Control (IFC)	62-23599-03	62-23599-03	62-23599-03
43d		Low Voltage Shield	AE-103285-01	AE-103285-01	AE-103285-01
	Stk	Fuse - Control Board	44-101986-01	44-101986-01	44-101986-01
MISCELLANEOUS:					
		Wiring Harness - 9 pin from IFC to 9 Quick Connect terminals	45-102393-03	45-102393-03	45-102393-03
		Wiring Harness - Economizer (12 pin)	45-42522-108	45-42522-108	45-42522-108
		Low Ambient Control		See Accessories	
44		Auxiliary Limit - Blower Extension	47-17359-30	47-17359-30	47-17359-30
47	Stk	Pressure Switch	42-104851-01	42-104851-01	42-104851-01
48	Stk	Inducer Blower Motor - Including Gasket	70-101087-02	70-101087-03	70-101087-02
48a		Tubing - Silicone Rubber	AE-61737-37	AE-61737-37	AE-61737-37
49	Stk	Gasket - Inducer Blower Motor	68-23643-01	68-23643-01	68-23643-01
50		Low Pressure Control		See Compressor Group	
51		High Pressure Control		See Compressor Group	

No.	Notes	MODEL TECHNICAL VARIATION COOLING CAPACITY ELECTRICAL DESIGNATION	RKKN- B 072 C	RKKN- B 072 D	RKKN- B 072 Y
FAN GROUP					
35	Stk	Fan Motor	51-100998-13	51-100998-12	51-100998-28
36	Stk	Fan Blade	70-42484-01	70-42484-01	70-42484-01
37	Stk	Capacitor - Fan Motor	43-100496-12	43-100496-12	43-100496-11

No.	Notes	MODEL TECHNICAL VARIATION COOLING CAPACITY ELECTRICAL DESIGNATION	RKKN- B 073 C	RKKN- B 073 D	RKKN- B 073 Y
ELECTRIC GROUP					
CONTROL BOX COMPONENTS:					
37		Capacitor - Fan Motor		See Fan Group	
39		Compressor Time Delay Relay		See Accessories	
40a		Compressor Contactor		See Compressor Group	
40b	Stk	Blower Contactor	42-102664-03	42-102664-08	42-102664-03
41		Relay - Inducer Blower	N/A	42-19736-04	N/A
42		Ground Lug	45-19000-01	45-19000-01	45-19000-01
43a	Stk	Transformer	46-103324-01	46-103324-02	46-103324-01
43b	Stk	Transformer - Step Down	N/A	N/A	46-23585-01
43c	Stk	Integrated Furnace Control (IFC)	62-23599-03	62-23599-03	62-23599-03
43d		Low Voltage Shield	AE-103285-01	AE-103285-01	AE-103285-01
	Stk	Fuse - Control Board	44-101986-01	44-101986-01	44-101986-01
MISCELLANEOUS:					
		Wiring Harness - 9 pin from IFC to 9 Quick Connect terminals	45-102393-03	45-102393-03	45-102393-03
		Wiring Harness - Economizer (12 pin)	45-42522-108	45-42522-108	45-42522-108
		Wiring Harness - VFD Controls (5 pin to 1 stripped end, 3 piggyback terminals)	45-42522-156	45-42522-156	N/A
		Wiring Harness - Indoor Blower/VFD (4 pin to 3 quick connects and flanged terminal)	45-42522-154	45-42522-154	N/A
		Wiring Harness - Indoor Blower Motor (4 pin to 3 stripped ends and flange terminal)	45-42522-155	45-42522-155	N/A
		Low Ambient Control		See Accessories	
44		Auxiliary Limit - Blower Extension	47-17359-30	47-17359-30	47-17359-30
47	Stk	Pressure Switch	42-104851-01	42-104851-01	42-104851-01
48	Stk	Inducer Blower Motor - Including Gasket	70-101087-02	70-101087-03	70-101087-02
48a		Tubing - Silicone Rubber	AE-61737-37	AE-61737-37	AE-61737-37
49	Stk	Gasket - Inducer Blower Motor	68-23643-01	68-23643-01	68-23643-01
50		Low Pressure Control		See Compressor Group	
51		High Pressure Control		See Compressor Group	

No.	Notes	MODEL TECHNICAL VARIATION COOLING CAPACITY ELECTRICAL DESIGNATION	RKKN- B 073 C	RKKN- B 073 D	RKKN- B 073 Y
FAN GROUP					
35	Stk	Fan Motor	51-42534-32	51-42534-33	51-42534-34
36	Stk	Fan Blade	70-42484-01	70-42484-01	70-42484-01
37	Stk	Capacitor - Fan Motor	43-100496-17	43-100496-12	43-100496-51

No.	Notes	MODEL	RKKN-	RKKN-	RKKN-	RKKN-	RKKN-	RKKN-
		TECHNICAL VARIATION	B	B	B	B	B	B
		COOLING CAPACITY	072	072	072	072	072	072
		ELECTRICAL DESIGNATION	C	C	D	D	Y	Y
		DRIVE PACKAGE	L	M	L	M	L	M
BLOWER GROUP - BELT DRIVE								
62	Stk	Blower Assembly (Items 63-73, Excluding Cross Brace)	AS-101336-03	AS-101336-03	AS-101336-03	AS-101336-03	AS-101336-03	AS-101336-03
63		Housing	AS-101342-01	AS-101342-01	AS-101342-01	AS-101342-01	AS-101342-01	AS-101342-01
64		Bearing Frame Tri-Arm (2)	70-41723-02	70-41723-02	70-41723-02	70-41723-02	70-41723-02	70-41723-02
65	Stk	Ball Bearing And Cushion (2)	70-41911-01	70-41911-01	70-41911-01	70-41911-01	70-41911-01	70-41911-01
66	Stk	Blower Shaft	70-21933-02	70-21933-02	70-21933-02	70-21933-02	70-21933-02	70-21933-02
67	Stk	Fixed Pitch Sheave	71-21932-03	71-21932-03	71-21932-03	71-21932-03	71-21932-03	71-21932-03
68		Blower Support - Left	AE-58950-03	AE-58950-03	AE-58950-03	AE-58950-03	AE-58950-03	AE-58950-03
69	Stk	Blower Wheel	70-21773-01	70-21773-01	70-21773-01	70-21773-01	70-21773-01	70-21773-01
70		Cut-Off Tabulation	AE-64401-18	AE-64401-18	AE-64401-18	AE-64401-18	AE-64401-18	AE-64401-18

No.	Notes	MODEL	RKKN-	RKKN-	RKKN-	RKKN-	RKKN-	RKKN-
		TECHNICAL VARIATION	B	B	B	B	B	B
		COOLING CAPACITY	072	072	072	072	072	072
		ELECTRICAL DESIGNATION	C	C	D	D	Y	Y
		DRIVE PACKAGE	L	M	L	M	L	M
BLOWER MOTOR MOUNTING - BELT DRIVE								
MOTOR MOUNTING:								
71		Blower Bracket	AE-101124-05	AE-101124-05	AE-101124-05	AE-101124-05	AE-101124-05	AE-101124-05
72		Blower Bracket - Drive Side	AE-101124-03	AE-101124-03	AE-101124-03	AE-101124-03	AE-101124-03	AE-101124-03
72a		Grommet	56-18518-04	56-18518-04	56-18518-04	56-18518-04	56-18518-04	56-18518-04
72b		Cross Brace	AE-101467-01	AE-101467-01	AE-101467-01	AE-101467-01	AE-101467-01	AE-101467-01
73		Motor Mount Assembly	AS-101340-01	AS-101340-01	AS-101340-01	AS-101340-01	AS-101340-01	AS-101340-01

No.	Notes	MODEL	RKKN-	RKKN-	RKKN-	RKKN-	RKKN-	RKKN-
		TECHNICAL VARIATION	B	B	B	B	B	B
		COOLING CAPACITY	072	072	072	072	072	072
		ELECTRICAL DESIGNATION	C	C	D	D	Y	Y
		DRIVE PACKAGE	L	M	L	M	L	M
BLOWER MOTOR GROUP - BELT DRIVE								
74		Blower Motor	51-41936-02	51-41936-02	51-41936-02	51-41936-02	51-42177-10	51-42177-10
75		Variable Pitch Sheave	71-40427-29	71-40427-25	71-40427-29	71-40427-25	71-40427-29	71-40427-25
76		Belt	71-40235-42	71-40235-43	71-40235-42	71-40235-43	71-40235-42	71-40235-43

No.	Notes	MODEL	RKKN-	RKKN-	RKKN-	RKKN-	RKKN-	RKKN-
		TECHNICAL VARIATION	B	B	B	B	B	B
		COOLING CAPACITY	073	073	073	073	073	073
		ELECTRICAL DESIGNATION	C	C	D	D	Y	Y
		DRIVE PACKAGE	L	M	L	M	L	M
BLOWER GROUP - BELT DRIVE								
62	Stk	Blower Assembly (Items 63-73, Excluding Cross Brace)	AS-101336-09	AS-101336-09	AS-101336-09	AS-101336-09	AS-101336-03	AS-101336-03
63		Housing	AS-101342-01	AS-101342-01	AS-101342-01	AS-101342-01	AS-101342-01	AS-101342-01
64		Bearing Frame Tri-Arm (2)	70-41723-02	70-41723-02	70-41723-02	70-41723-02	70-41723-02	70-41723-02
65	Stk	Ball Bearing And Cushion (2)	70-41911-01	70-41911-01	70-41911-01	70-41911-01	70-41911-01	70-41911-01
66	Stk	Blower Shaft	70-21933-02	70-21933-02	70-21933-02	70-21933-02	70-21933-02	70-21933-02
67	Stk	Fixed Pitch Sheave	71-21932-03	71-21932-03	71-21932-03	71-21932-03	71-104627-01	71-104627-01
68		Blower Support - Left	AE-58950-03	AE-58950-03	AE-58950-03	AE-58950-03	AE-58950-03	AE-58950-03
69	Stk	Blower Wheel	70-21773-01	70-21773-01	70-21773-01	70-21773-01	70-21773-01	70-21773-01
70		Cut-Off Tabulation	AE-64401-18	AE-64401-18	AE-64401-18	AE-64401-18	AE-64401-18	AE-64401-18

No.	Notes	MODEL	RKKN-	RKKN-	RKKN-	RKKN-	RKKN-	RKKN-
		TECHNICAL VARIATION	B	B	B	B	B	B
		COOLING CAPACITY	073	073	073	073	073	073
		ELECTRICAL DESIGNATION	C	C	D	D	Y	Y
		DRIVE PACKAGE	L	M	L	M	L	M
BLOWER MOTOR MOUNTING - BELT DRIVE								
MOTOR MOUNTING:								
71		Blower Bracket	AE-101124-05	AE-101124-05	AE-101124-05	AE-101124-05	AE-101124-05	AE-101124-05
72		Blower Bracket - Drive Side	AE-101124-03	AE-101124-03	AE-101124-03	AE-101124-03	AE-101124-03	AE-101124-03
72a		Grommet	56-18518-04	56-18518-04	56-18518-04	56-18518-04	56-18518-04	56-18518-04
72b		Cross Brace	AE-101467-01	AE-101467-01	AE-101467-01	AE-101467-01	AE-101467-01	AE-101467-01
73		Motor Mount Assembly	AS-101340-01	AS-101340-01	AS-101340-01	AS-101340-01	AS-101340-01	AS-101340-01

No.	Notes	MODEL	RKKN-	RKKN-	RKKN-	RKKN-	RKKN-	RKKN-
		TECHNICAL VARIATION	B	B	B	B	B	B
		COOLING CAPACITY	073	073	073	073	073	073
		ELECTRICAL DESIGNATION	C	C	D	D	Y	Y
		DRIVE PACKAGE	L	M	L	M	L	M
BLOWER MOTOR GROUP - BELT DRIVE								
74		Blower Motor	51-42537-05	51-42537-05	51-42537-05	51-42537-05	51-41936-04	51-41936-04
75		Variable Pitch Sheave	71-104625-01	71-104625-08	71-104625-01	71-104625-08	71-104625-02	71-104625-05
76		Belt	71-40235-42	71-40235-43	71-40235-42	71-40235-43	71-40235-42	71-40235-43

No.	Notes	MODEL TECHNICAL VARIATION COOLING CAPACITY ELECTRICAL DESIGNATION	RKKN- B 072 C	RKKN- B 072 D	RKKN- B 072 Y
COIL GROUP					
6		Filter Keeper	AE-59168-01	AE-59168-01	AE-59168-01
EVAPORATOR COIL:					
77	Stk	Evaporator Coil - Coil Frame Assembly (includes Frame Sides, Angle, Frame Bottom and Top Air Stop)	AS-104531-03	AS-104531-03	AS-104531-03
	Stk	TXV - Sporlan	61-102211-42	61-102211-42	61-102211-42
80		Top Air Stop	AE-58933-02	AE-58933-02	AE-58933-02
81		Top Coil Support	AE-58941-01	AE-58941-01	AE-58941-01
82		Filter Channels (3) Center Is Two Channels Back To Back	AE-58934-03	AE-58934-03	AE-58934-03
83		Indoor Coil Drain Pan	68-23559-02	68-23559-02	68-23559-02
CONDENSER COIL:					
84	Stk	Condenser Coil	AS-104518-01	AS-104518-01	AS-104518-01
84a		Pad - Bottom Coil	68-104248-03 (5)	68-104248-03 (5)	68-104248-03 (5)
84b		Coil Filler Plate (2)	AS-104545-03H	AS-104545-03H	AS-104545-03H
84c		Stripping	68-42246-06	68-42246-06	68-42246-06
	Stk	Filter Drier	83-22755-10	83-22755-10	83-22755-10
85		Filter - Disposable (4)	54-17531-24	54-17531-24	54-17531-24

No.	Notes	MODEL TECHNICAL VARIATION COOLING CAPACITY ELECTRICAL DESIGNATION	RKKN- B 072 C	RKKN- B 072 D	RKKN- B 072 Y
COMPRESSOR GROUP					
Compressor ID:			8953	8954	8955
86	Stk	Compressor	55-102471-21S	55-102471-22S	55-102471-23S
40	Stk	Contactator	42-102664-08	42-102664-08	42-102664-08
	Stk	Compressor Wiring Harness - Molded Plug	45-100834-10	45-100834-10	45-100834-10
50		Low Pressure Control	47-102240-03	47-102240-03	47-102240-03
51		High Pressure Control	47-23699-04	47-23699-04	47-23699-04

No.	Notes	MODEL TECHNICAL VARIATION COOLING CAPACITY ELECTRICAL DESIGNATION	RKKN- B 073 C	RKKN- B 073 D	RKKN- B 073 Y
COIL GROUP					
6		Filter Keeper	AE-59168-01	AE-59168-01	AE-59168-01
EVAPORATOR COIL:					
77	Stk	Evaporator Coil - Coil Frame Assembly (includes Frame Sides, Angle, Frame Bottom and Top Air Stop)	AS-104531-03	AS-104531-03	AS-104531-03
	Stk	TXV - Sporlan	61-102211-42	61-102211-42	61-102211-42
80		Top Air Stop	AE-58933-02HT	AE-58933-02HT	AE-58933-02HT
81		Top Coil Support	AE-58941-01	AE-58941-01	AE-58941-01
82		Filter Channels (3) Center Is Two Channels Back To Back	AE-58934-03	AE-58934-03	AE-58934-03
83		Indoor Coil Drain Pan	68-23559-02	68-23559-02	68-23559-02
CONDENSER COIL:					
84	Stk	Condenser Coil	AS-104518-01	AS-104518-01	AS-104518-01
84a		Pad - Bottom Coil	68-104248-03 (5)	68-104248-03 (5)	68-104248-03 (5)
84b		Coil Filler Plate (2)	AE-104545-03H T	AE-104545-03H T	AE-104545-03H T
84c		Stripping	68-42246-06	68-42246-06	68-42246-06
	Stk	Filter Drier	83-22755-25	83-22755-25	83-22755-25
85		Filter - Disposable (4)	54-17531-24	54-17531-24	54-17531-24

No.	Notes	MODEL TECHNICAL VARIATION COOLING CAPACITY ELECTRICAL DESIGNATION	RKKN- B 073 C	RKKN- B 073 D	RKKN- B 073 Y
COMPRESSOR GROUP					
Compressor ID:			9452	9453	9454
86	Stk	Compressor	55-23156-60	55-23156-61	55-23156-62
40	Stk	Contactator	42-102664-08	42-102664-08	42-102664-08
	Stk	Compressor Wiring Harness - Molded Plug	45-100834-10	45-100834-10	45-100834-10
50		Low Pressure Control	47-102240-03	47-102240-03	47-102240-03
51		High Pressure Control	47-23699-04	47-23699-04	47-23699-04

No.	Notes	MODEL	RKKN-	RKKN-
		TECHNICAL VARIATION	B	B
		COOLING CAPACITY	072	072
		HEATING CAPACITY	10	13
HEAT EXCHANGER, BURNER/MANIFOLD				
45	Stk	Main Limit - (Condenser Bulkhead) E - Electric	47-23610-19	47-23610-19
45	Stk	Main Limit - (Condenser Bulkhead) X - NOX	47-23610-19	47-23610-19
46		Main Limit Shield	AS-59152-01	AS-59152-01
87	Stk	Heat Exchanger - Includes Center Panel	AS-59066-05	AS-59066-04
88		Turbulators	AE-58922-01 (5)	AE-58922-01 (6)
90		Gasket - Divider Plate	68-23680-02	68-23680-02
91		Divider Plate	AE-59067-01	AE-59067-01
92		Gasket - Collector Box	68-23680-01	68-23680-01
93		Collector Box Cover	AE-104879-02	AE-104879-04
94		Flue Duct	75-104824-01	75-104824-01
95		Gasket - Flue Duct	68-23680-05	68-23680-05
96		Burner Shield	AE-58886-02	AE-58886-02
97	Stk	Limit (Manual Reset)	47-22861-02 (2)	47-22861-02 (2)
98		Burner Compartment Floor	AE-58932-02	AE-58932-02

No.	Notes	MODEL	RKKN-	RKKN-
		TECHNICAL VARIATION	B	B
		COOLING CAPACITY	072	072
		HEATING CAPACITY	10	13
BURNER / MANIFOLD GROUP				
99	Stk, 1	Burner Assembly	AS-60993-05	AS-60993-06
99a		Bushing	45-42519-01	45-42519-01
100		Burner Support - (Holds the Burners between the Burner Support Brackets)	AE-102650-01	AE-102650-01
101		Burner Support Bracket (2)	AE-61588-02	AE-61588-02
102	Stk	Manifold Assembly (w/o Orifices)	81-101153-01	81-101153-01
103		Square Head Plug - (Used on Manifold to plug extra holes)	81-23593-01 (2)	81-23593-01 (1)
104		Burner Orifice - Natural Gas:	See Orifice Selection Chart	
104		Burner Orifice - LP:		
104		Number of Orifices		
105	Stk	Flame Sensor	62-23543-02	62-23543-02
106	Stk	Ignition Electrode and Cable	62-23556-01	62-23556-01

No.	Notes	MODEL	RKKN-	RKKN-
		TECHNICAL VARIATION	B	B
		COOLING CAPACITY	073	073
		HEATING CAPACITY	10	13
HEAT EXCHANGER, BURNER/MANIFOLD				
45	Stk	Main Limit - (Condenser Bulkhead) E - Electric	47-23610-19	47-23610-19
45	Stk	Main Limit - (Condenser Bulkhead) X - NOX	47-23610-19	47-23610-19
46		Main Limit Shield	AS-59152-01	AS-59152-01
87	Stk	Heat Exchanger - Includes Center Panel	AS-59066-05	AS-59066-04
88		Turbulators	AE-58922-01 (5)	AE-58922-01 (6)
90		Gasket - Divider Plate	68-23680-02	68-23680-02
91		Divider Plate	AE-59067-01	AE-59067-01
92		Gasket - Collector Box	68-23680-01	68-23680-01
93		Collector Box Cover	AE-104879-02	AE-104879-04
94		Flue Duct	75-104824-01	75-104824-01
95		Gasket - Flue Duct	68-23680-05	68-23680-05
96		Burner Shield	AE-58886-02	AE-58886-02
97	Stk	Limit (Manual Reset)	47-22861-02 (2)	47-22861-02 (2)
98		Burner Compartment Floor	AE-58932-02	AE-58932-02

No.	Notes	MODEL	RKKN-	RKKN-
		TECHNICAL VARIATION	B	B
		COOLING CAPACITY	073	073
		HEATING CAPACITY	10	13
BURNER / MANIFOLD GROUP				
99	Stk, 1	Burner Assembly	AS-60993-05	AS-60993-06
99a		Bushing	45-42519-01	45-42519-01
100		Burner Support - (Holds the Burners between the Burner Support Brackets)	AE-102650-01	AE-102650-01
101		Burner Support Bracket (2)	AE-61588-02	AE-61588-02
102	Stk	Manifold Assembly (w/o Orifices)	81-101153-01	81-101153-01
103		Square Head Plug - (Used on Manifold to plug extra holes)	81-23593-01 (2)	81-23593-01 (1)
104		Burner Orifice - Natural Gas:	See Orifice Selection Chart	
104		Burner Orifice - LP:		
104		Number of Orifices		
105	Stk	Flame Sensor	62-23543-02	62-23543-02
106	Stk	Ignition Electrode and Cable	62-23556-01	62-23556-01

No.	Notes	MODEL GAS CODE	RKKN- 2G	RKKN- 2U	RKKN- 2X	
GAS CONTROLS						
107	Stk	Gas Valve - Natural Gas	60-105055-01	60-105055-01	60-106207-01	
107	Stk	Gas Valve - LP	See Note 1	See Note 1	See Note 1	
	Stk	Integrated Furnace Control Board (IFC)	62-23599-03	62-23599-03	62-23599-03	
		Street Elbow	81-17487-01	81-17487-01	81-17487-01	
		Nipple	81-40683-02	81-40683-03	81-40683-02	
	Stk	LP Conversion Kit	EP-85H	EP-85H	EP-84W	

No.	Notes	MODEL GAS CODE			RKKN- 2X	
GAS CONTROLS						
107	Stk	Gas Valve - Natural Gas			60-106207-01	
107	Stk	Gas Valve - LP			See Note 1	
	Stk	Integrated Furnace Control Board (IFC)			62-23599-03	
		Street Elbow			81-17487-01	
		Nipple			81-40683-02	
	Stk	LP Conversion Kit			EP-84W	

No.	Notes	MODEL TECHNICAL VARIATION COOLING CAPACITY	RKKN- B 072
OPTIONS AND ACCESSORIES			
		Louver Panel Kit	AXRX-AAD01B
		Low Ambient Control Kit	RXRZ-A85
		Compressor Time Delay	RXMD-B04
		Economizer - Single Enthalpy	RXRD-MCCM3
		Dual Enthalpy Upgrade Kit	RXRX-AV02
		Carbon Dioxide Sensor	RXRX-AR02
		Power Exhaust - "C" Voltage	AXRX-BGF03C
		Power Exhaust - "D" Voltage	AXRX-BGF03D
		Power Exhaust - "Y" Voltage	AXRX-BGF03Y
		Fresh Air Damper - Manual	AXRF-FCA1
		Fresh Air Damper - Motorized	AXRF-FCB1
		Fresh Air Damper - Motorized (Smoke Detector Compatible)	AXRF-JHB1

No.	Notes	MODEL TECHNICAL VARIATION COOLING CAPACITY	RKKN- B 073
OPTIONS AND ACCESSORIES			
		Louver Panel Kit	AXRX-AAD01B
		Low Ambient Control Kit	RXRZ-A04
		Compressor Time Delay	RXMD-B04
		Economizer - Single Enthalpy with Barometric Relief	AXRD-RCCAM3
		Economizer - Single Enthalpy and Smoke Detector	AXRD-RCCBM3
		Dual Enthalpy Upgrade Kit	RXRX-AV04
		Carbon Dioxide Sensor	RXRX-AR02
		Power Exhaust - "C" Voltage	AXRX-BGF03C
		Power Exhaust - "D" Voltage	AXRX-BGF03D
		Power Exhaust - "Y" Voltage	AXRX-BGF03Y
		Fresh Air Damper - Manual	AXRF-FCA1
		Fresh Air Damper - Motorized	AXRF-FCB1

PACKAGE EQUIPMENT - ORIFICE SELECTION CHART - NATURAL GAS

CAUTION: Selection of the correct Natural Gas Orifice requires the following information for the specific installation:

- 1) Furnace Input Rating (BTU/HR)
- 2) Number of Burners
- 2) Altitude (ft.)

For detailed information and instructions for Orifice selection, see the Gas Furnace LP Conversion Kit Index 92-21519-47 and the latest edition of the National Fuel Gas Code Handbook, or the National Standard of Canada, Natural Gas and Propane Installation Code, CAN B149.1.

CAUTION: This information is provided for replacement purposes only. Conversion for operation at High Altitude must be done using the kit specified on the product specification sheet for the unit.

NOTE: This Orifice sizing chart is based on a Natural Gas heating value of 1075 BTU/cu. ft and a pressure setting of 3.5 in. water column.

NOTE: Factory installed orifices are calculated and sized based on a Natural Gas heating value of 1075 BTU/cu. ft. and an elevation of 0 - 2000 ft.

Furnace Input Rating (BTU/HR)	Canadian High Altitude Derated Input (BTU/HR)	Number of Burners	Elevation (ft.)					
			Country					
			0 - 2000 U.S.	2001 - 4000 U.S.	4001 - 6000 U.S.	8000+ U.S.	0 - 2000 Canada	2001 - 4500 Canada
40,000	36,000	2	62-22175-45	62-22175-47	62-22175-48	62-22175-49	62-22175-45	62-22175-15
60,000	54,000	3	62-22175-45	62-22175-47	62-22175-48	62-22175-49	62-22175-45	62-22175-15
72,000	N/A	4	62-22175-15	62-22175-49	62-22175-50	62-22175-51	62-22175-15	N/A
80,000	72,000	4	62-22175-45	62-22175-47	62-22175-48	62-22175-49	62-22175-45	62-22175-15
90,000	N/A	5	62-22175-15	62-22175-49	62-22175-50	62-22175-51	62-22175-15	N/A
100,000	90,000	5	62-22175-45	62-22175-47	62-22175-48	62-22175-49	62-22175-45	62-22175-15
120,000	108,000	6	62-22175-45	62-22175-47	62-22175-48	62-22175-49	62-22175-45	62-22175-15
135,000	121,500	6	62-22175-44	62-22175-45	62-22175-47	62-22175-48	62-22175-44	62-22175-45
150,000	135,000	6	62-22175-42	62-22175-43	62-22175-44	62-22175-45	62-22175-42	62-22175-44
180,000	N/A	9	62-22175-45	62-22175-47	62-22175-48	62-22175-49	62-22175-45	N/A
210,000	N/A	9	62-22175-43	62-22175-44	62-22175-45	62-22175-47	62-22175-43	N/A
210,000	N/A	10	62-22175-45	62-22175-47	62-22175-48	62-22175-49	62-22175-45	N/A
225,000	202,500	9	62-22175-42	62-22175-43	62-22175-44	62-22175-45	62-22175-42	62-22175-44
250,000	225,000	10	62-22175-42	62-22175-43	62-22175-44	62-22175-45	62-22175-42	62-22175-44
252,000	225,000	9	62-22175-40	62-22175-42	62-22175-43	62-22175-44	62-22175-40	62-22175-42
252,000	N/A	12	62-22175-45	62-22175-47	62-22175-48	62-22175-49	62-22175-45	N/A
290,000	N/A	14	62-22175-45	62-22175-47	62-22175-48	62-22175-49	62-22175-45	N/A
300,000	270,000	12	62-22175-42	62-22175-43	62-22175-44	62-22175-45	62-22175-42	62-22175-44
330,000	N/A	14	62-22175-43	62-22175-44	62-22175-45	62-22175-47	62-22175-43	N/A
350,000	315,000	14	62-22175-42	62-22175-43	62-22175-44	62-22175-45	62-22175-42	62-22175-44
400,000	360,000	14	62-22175-40	62-22175-42	62-22175-43	62-22175-44	62-22175-40	62-22175-42

PACKAGE EQUIPMENT - ORIFICE SELECTION CHART - LP

CAUTION: Selection of the correct LP Orifice requires the following information for the specific installation:

- 1) Furnace Input Rating (BTU/HR)
- 2) Number of Burners
- 2) Altitude (ft.)

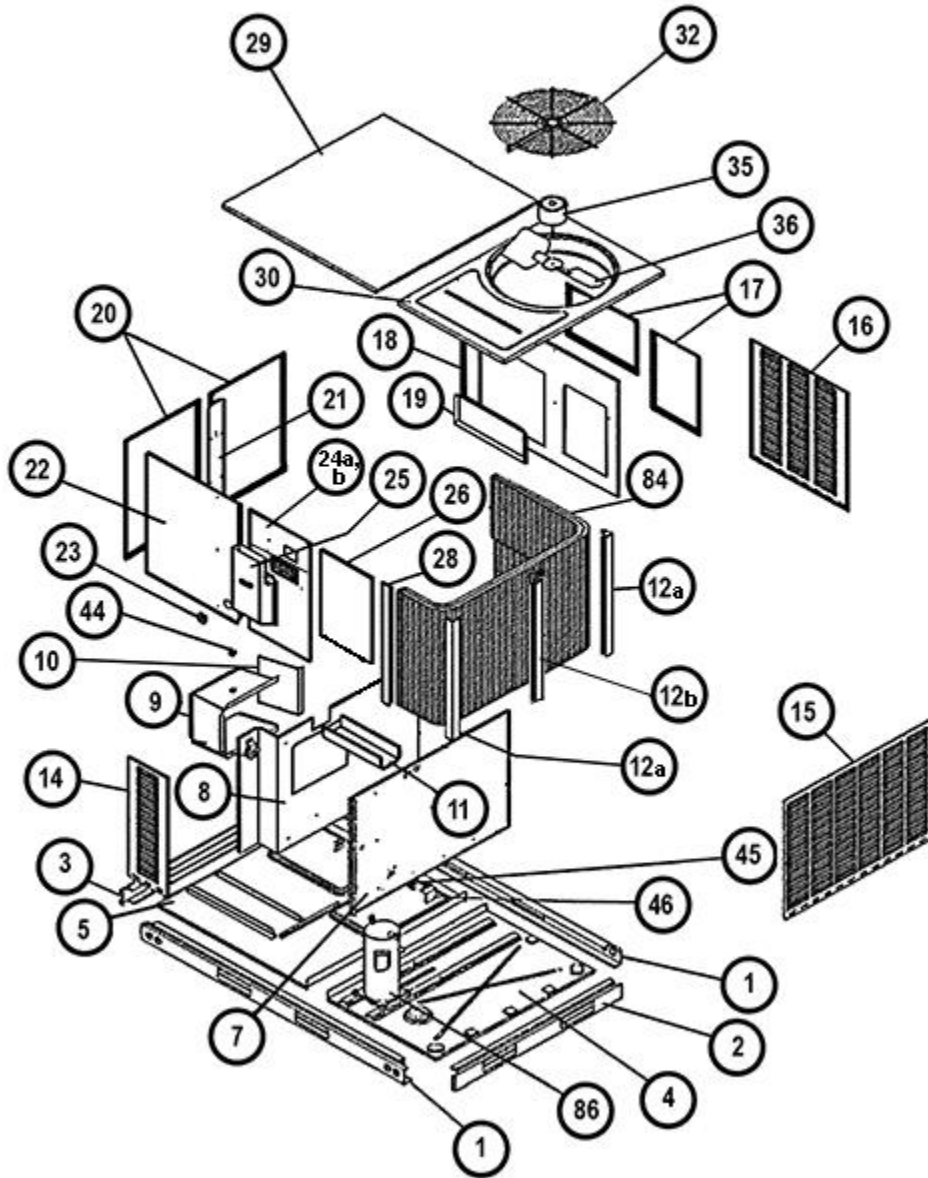
For detailed information and instructions for Orifice selection, see the Gas Furnace LP Conversion Kit Index 92-21519-47 and the latest edition of the National Fuel Gas Code Handbook, or the National Standard of Canada, Natural Gas and Propane Installation Code, CAN B149.1.

CAUTION: This information is provided for replacement purposes only. Conversion to LP or for operation at High Altitude should be done using the kit(s) specified on the product specification sheet for the unit.

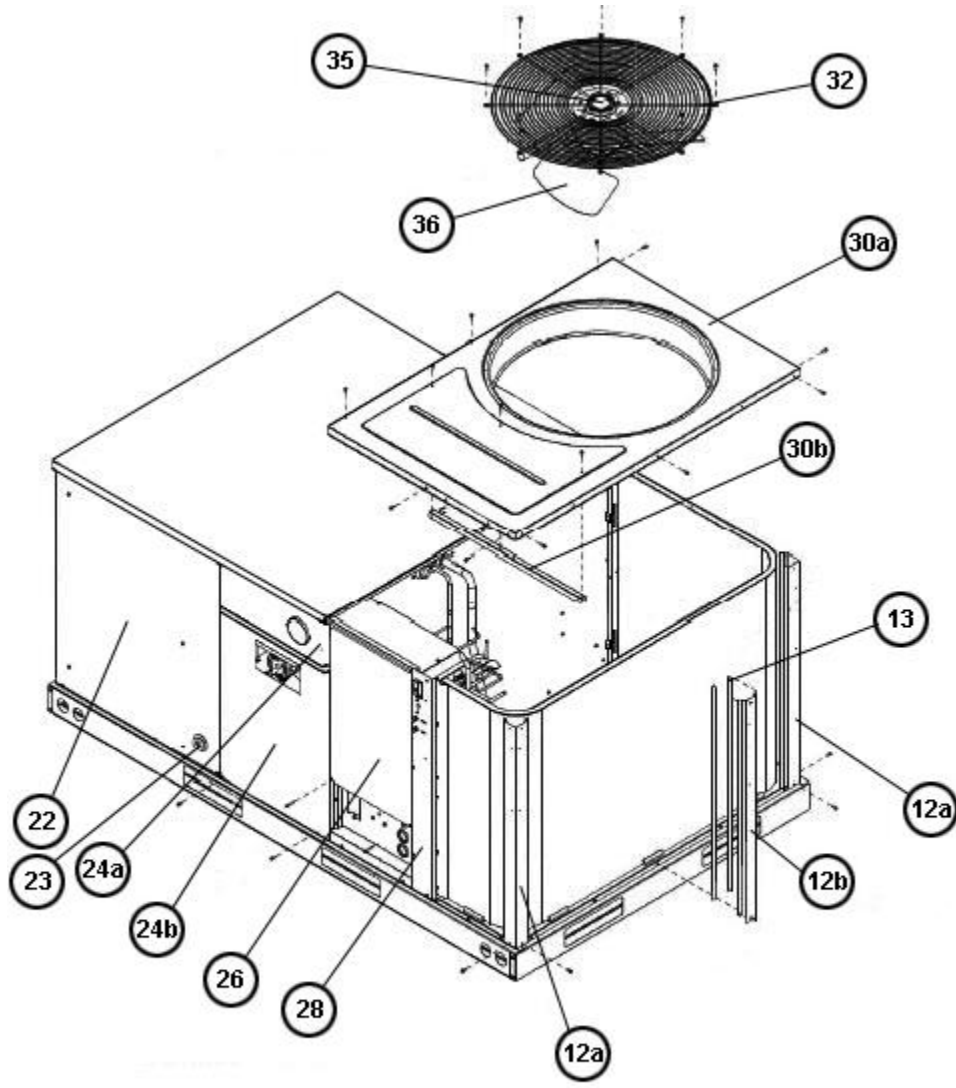
NOTE: This Orifice sizing chart is developed using the specified pressure setting of 10 in. water column instead of the 11.0 in water column used by the NFG and CANB149.1.

NOTE: Orifices supplied in the LP Conversion Kit are calculated and sized based on a heating value of 2500 BTU/cu. ft. and an elevation of 0 - 2000 ft.

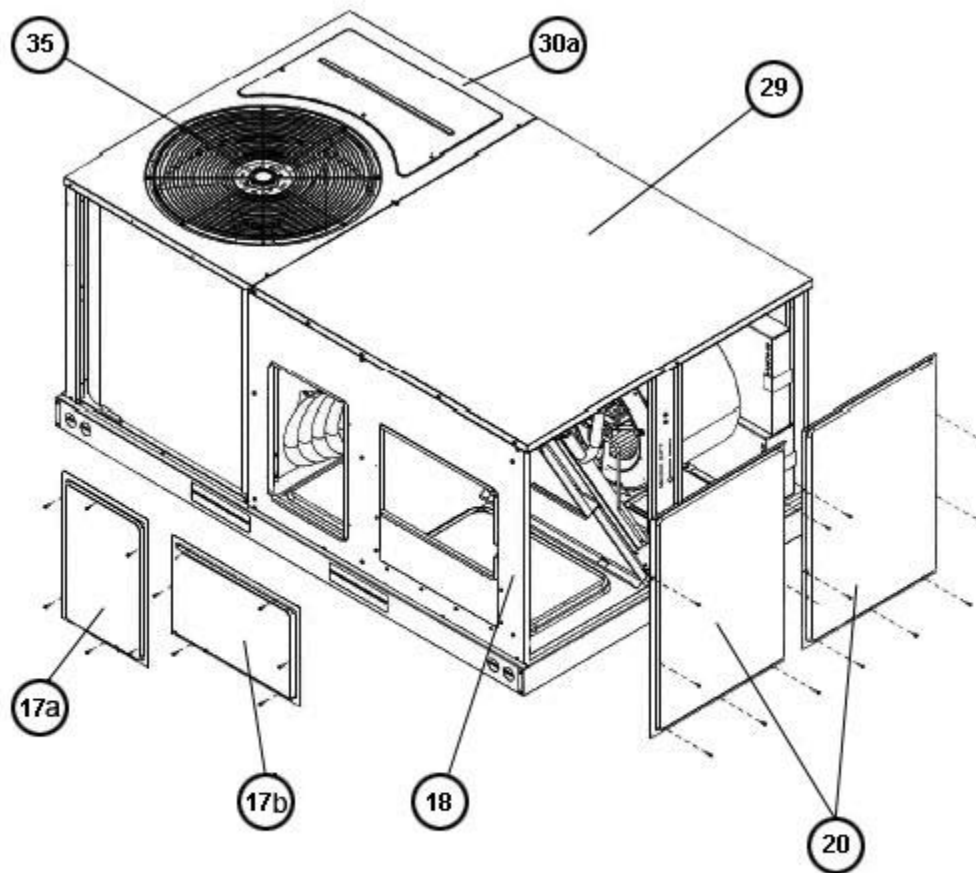
Furnace Input Rating (BTU/HR)	Canadian High Altitude Derated Input (BTU/HR)	Number of Burners	Elevation (ft.)					
			Country					
			0 - 2000 U.S.	2001 - 4000 U.S.	4001 - 6000 U.S.	8000+ U.S.	0 - 2000 Canada	2001 - 4500 Canada
40,000	36,000	2	62-22175-55	62-22175-55	62-22175-56	62-22175-56	62-22175-55	62-22175-13
60,000	54,000	3	62-22175-55	62-22175-55	62-22175-56	62-22175-56	62-22175-55	62-22175-13
72,000	N/A	4	62-22175-13	62-22175-57	62-22175-57	62-22175-59	62-22175-13	N/A
80,000	72,000	4	62-22175-55	62-22175-55	62-22175-56	62-22175-56	62-22175-55	62-22175-13
90,000	N/A	5	62-22175-13	62-22175-57	62-22175-57	62-22175-59	62-22175-13	N/A
100,000	90,000	5	62-22175-55	62-22175-55	62-22175-56	62-22175-56	62-22175-55	62-22175-13
120,000	108,000	6	62-22175-55	62-22175-55	62-22175-56	62-22175-56	62-22175-55	62-22175-13
135,000	121,500	6	62-22175-54	62-22175-55	62-22175-55	62-22175-56	62-22175-54	62-22175-55
150,000	135,000	6	62-22175-54	62-22175-55	62-22175-55	62-22175-56	62-22175-54	62-22175-54
180,000	N/A	9	62-22175-55	62-22175-55	62-22175-56	62-22175-56	62-22175-55	N/A
210,000	N/A	9	62-22175-54	62-22175-55	62-22175-55	62-22175-56	62-22175-54	N/A
210,000	N/A	10	62-22175-55	62-22175-55	62-22175-56	62-22175-56	62-22175-55	N/A
225,000	202,500	9	62-22175-54	62-22175-55	62-22175-55	62-22175-56	62-22175-54	62-22175-54
250,000	225,000	10	62-22175-54	62-22175-55	62-22175-55	62-22175-56	62-22175-54	62-22175-54
252,000	225,000	9	62-22175-53	62-22175-54	62-22175-54	62-22175-55	62-22175-53	62-22175-54
252,000	N/A	12	62-22175-55	62-22175-55	62-22175-56	62-22175-56	62-22175-55	N/A
290,000	N/A	14	62-22175-55	62-22175-55	62-22175-56	62-22175-56	62-22175-55	N/A
300,000	270,000	12	62-22175-54	62-22175-55	62-22175-55	62-22175-56	62-22175-54	62-22175-54
330,000	N/A	14	62-22175-54	62-22175-55	62-22175-55	62-22175-56	62-22175-54	N/A
350,000	315,000	14	62-22175-54	62-22175-55	62-22175-55	62-22175-56	62-22175-54	62-22175-54
400,000	360,000	14	62-22175-53	62-22175-54	62-22175-54	62-22175-55	62-22175-53	62-22175-54



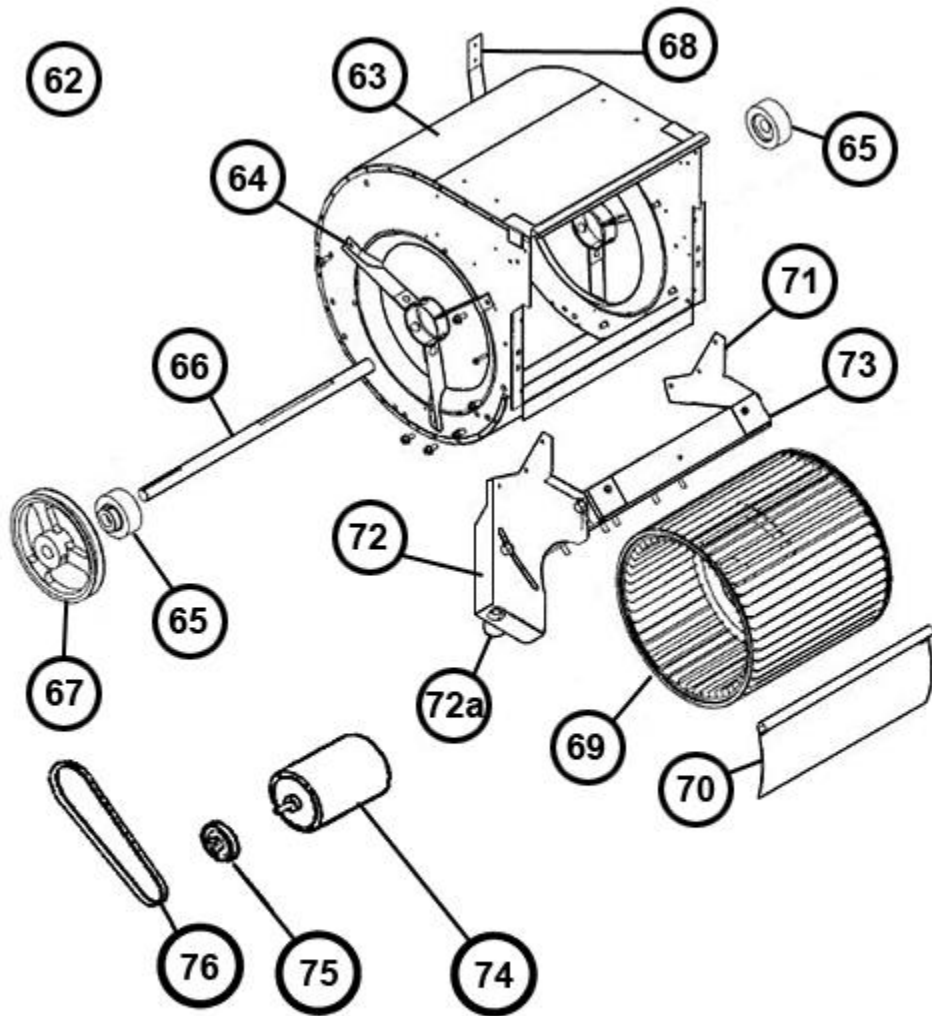
Exploded View



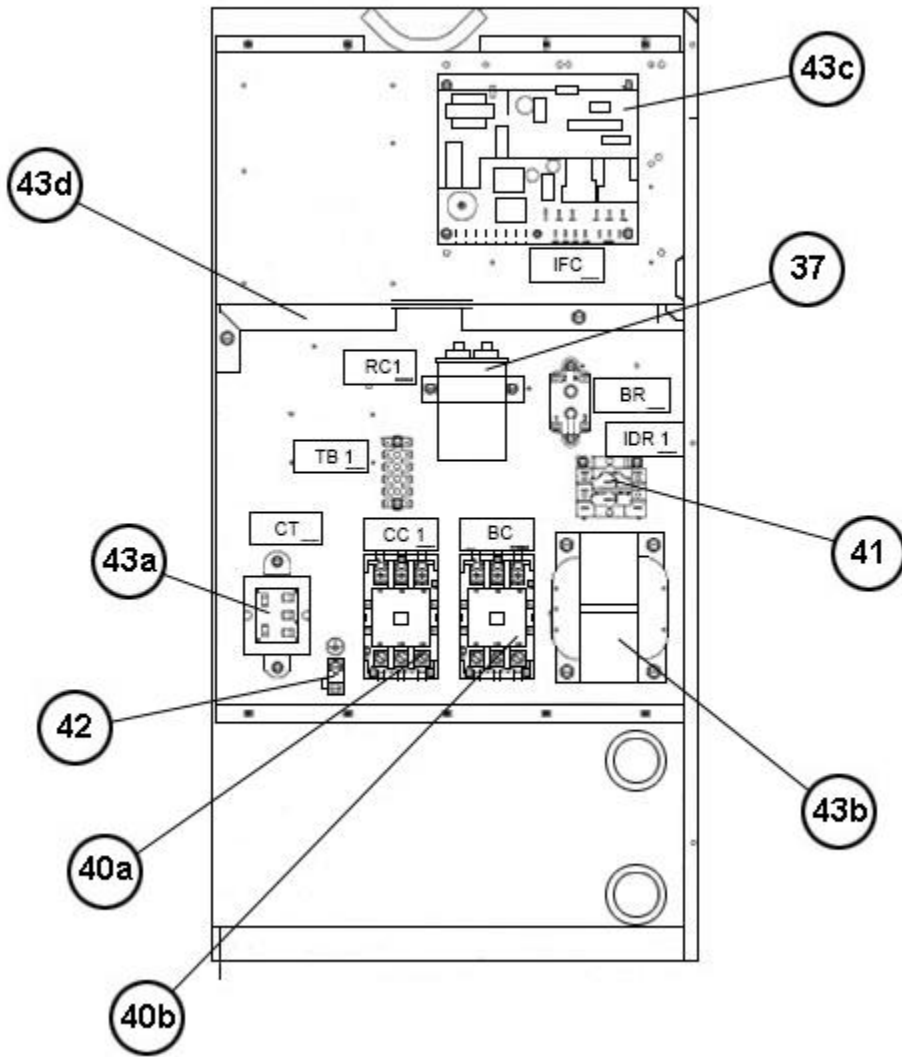
Top Panel



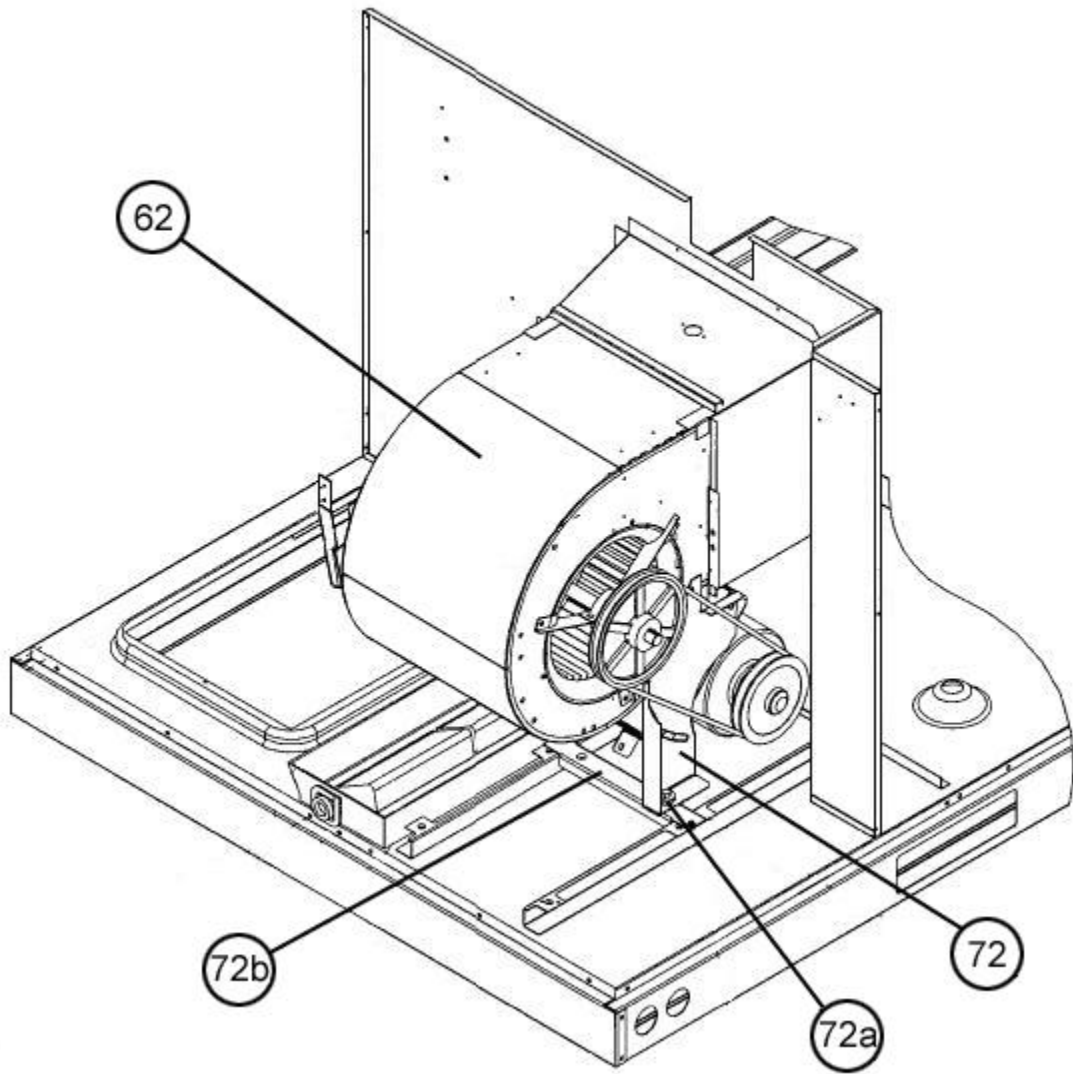
Side Panels



Blower Assembly - Belt Drive



Control Box



Blower Motor Mount Assembly - Belt Drive

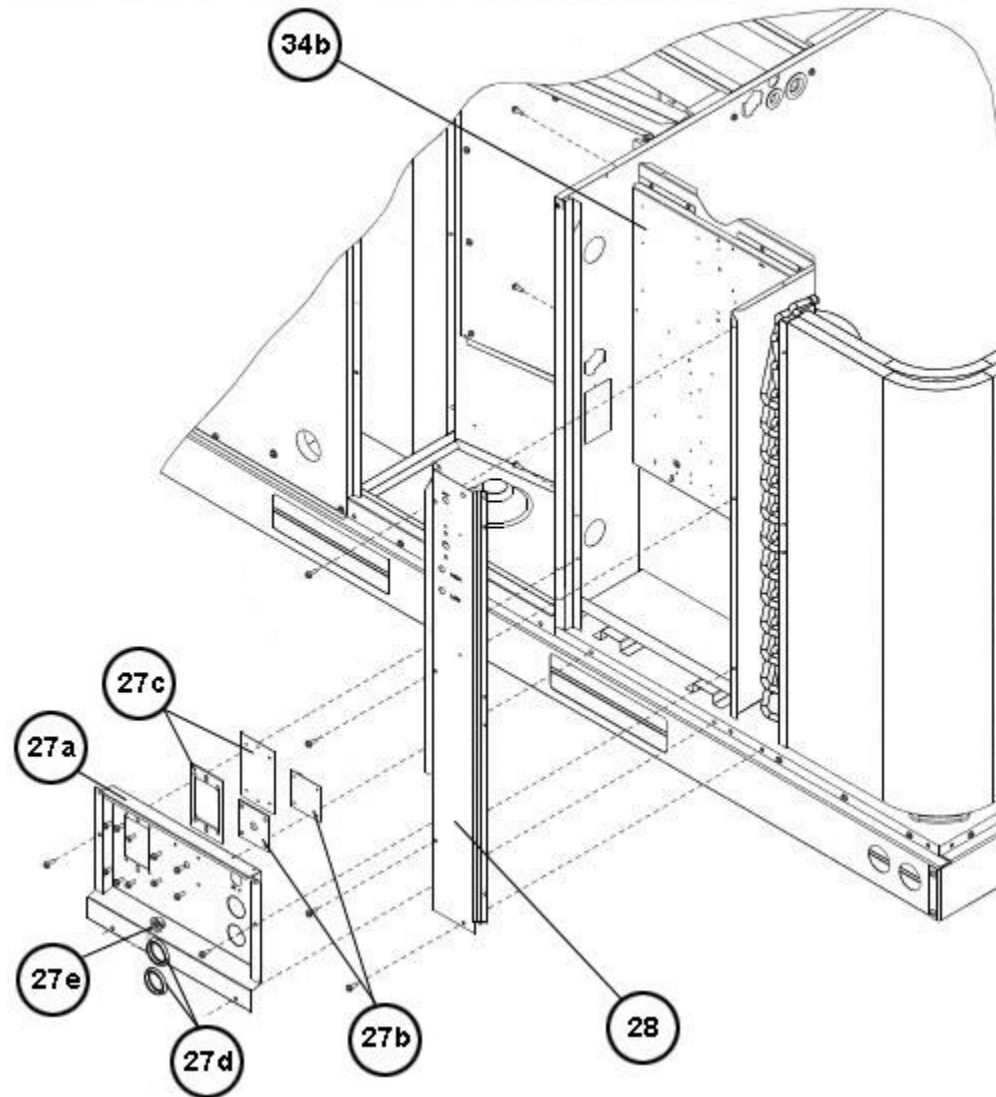
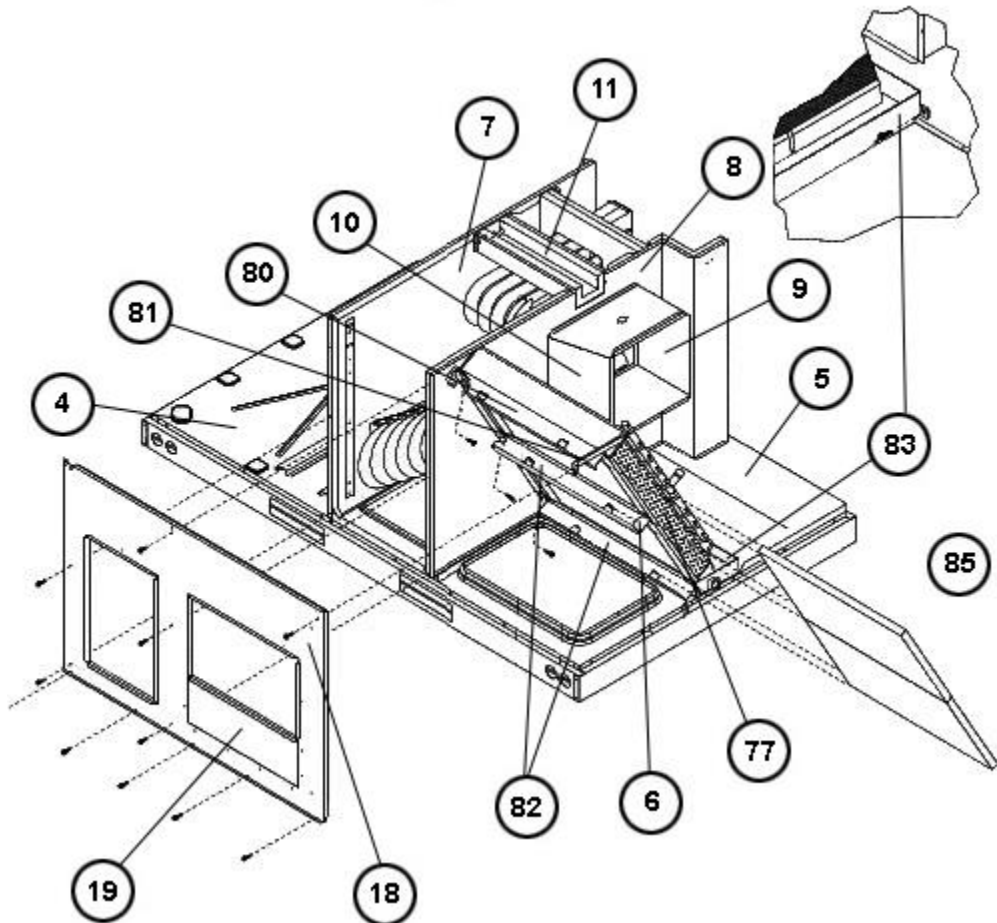
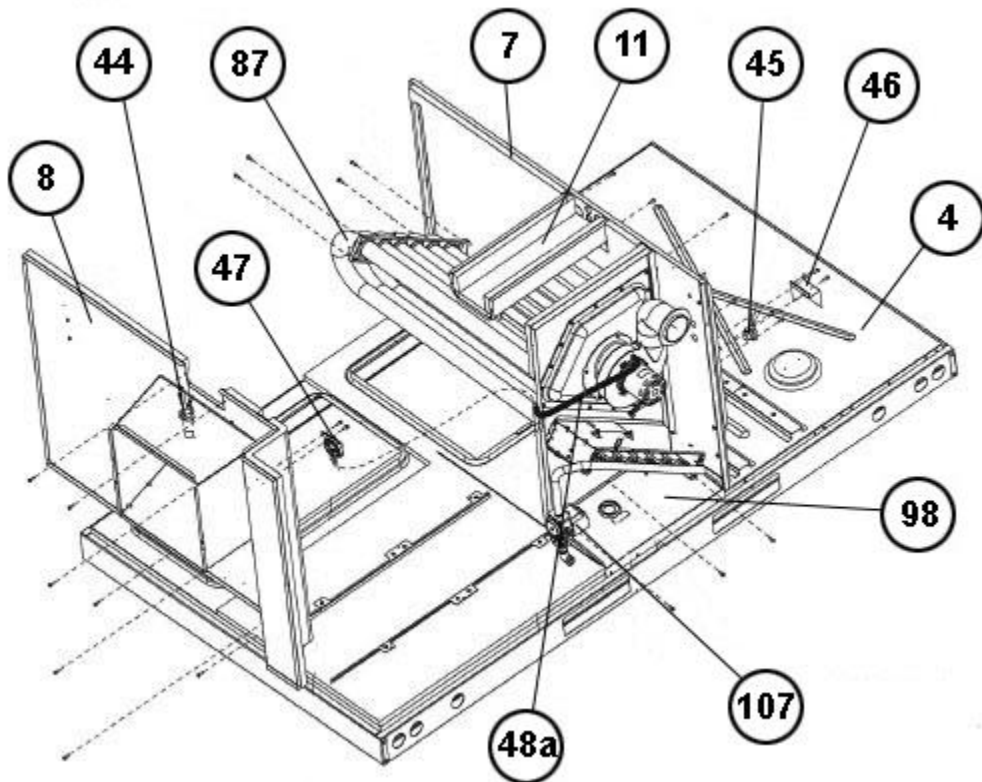


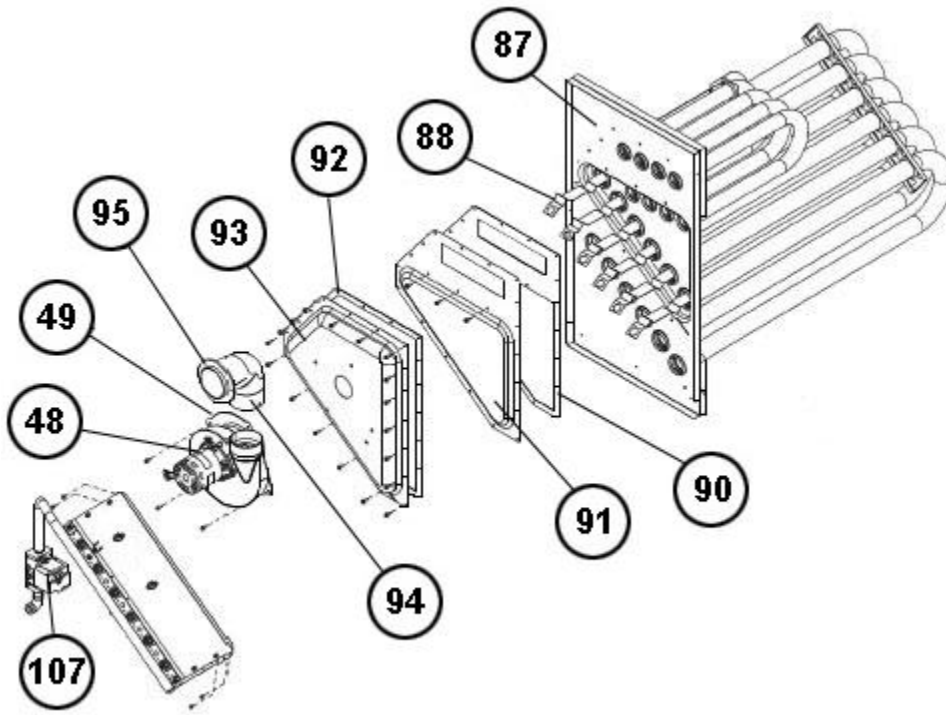
Plate Disconnect and Receptacle



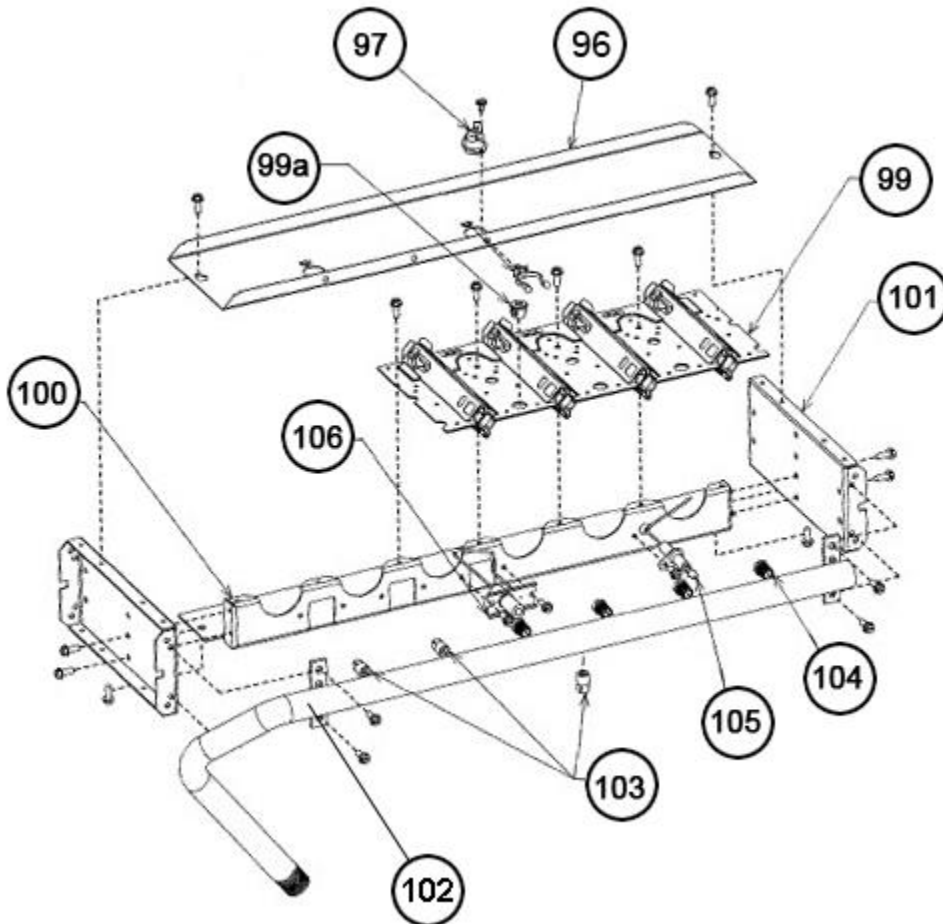
Evaporator Coil - Filter Channels



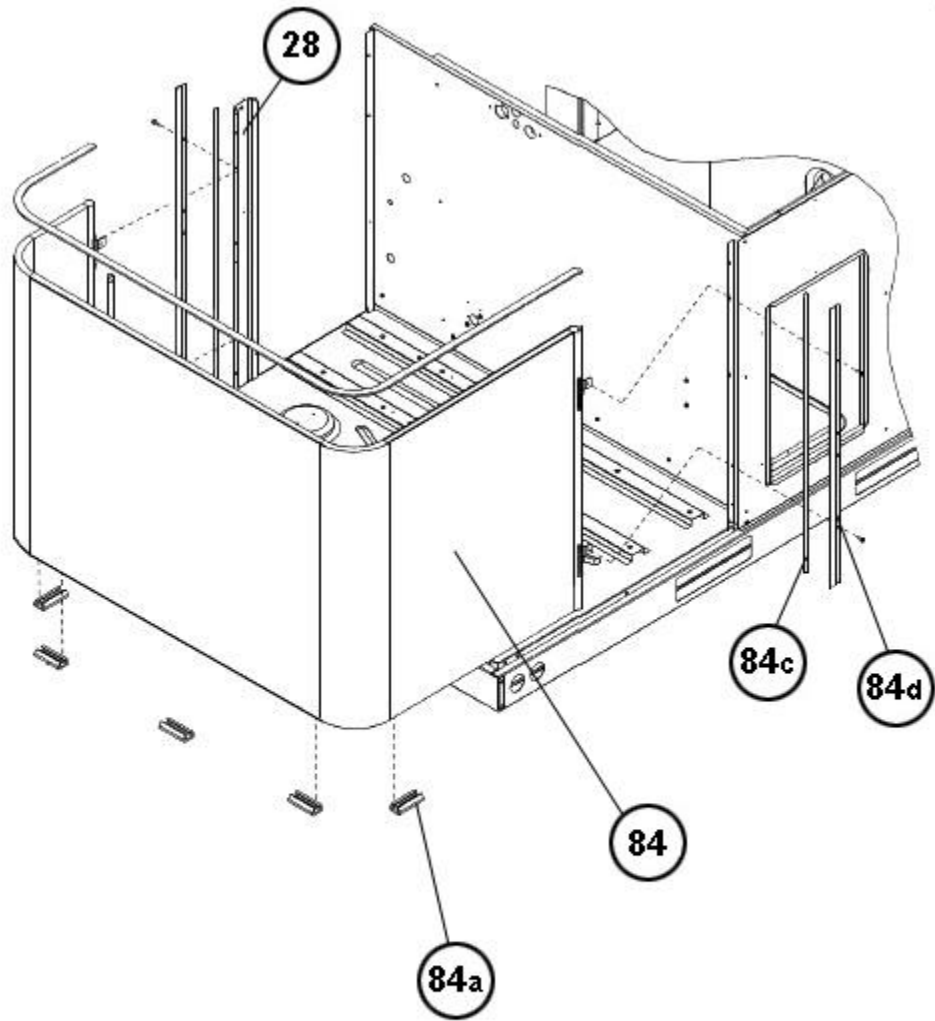
Heating Section



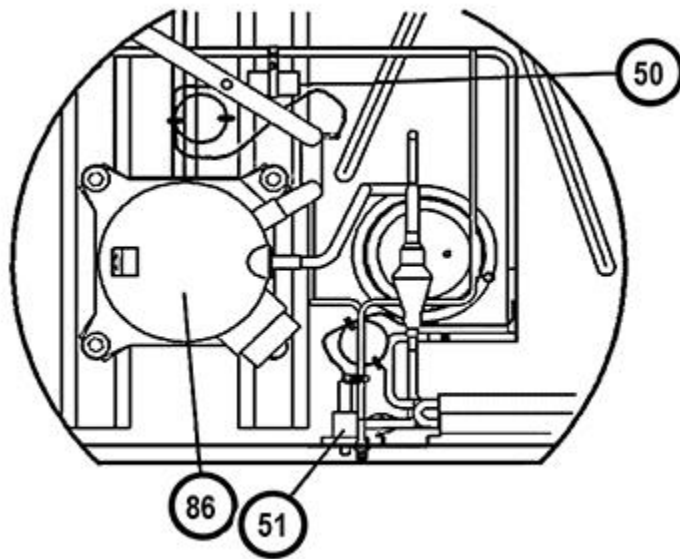
Heat Exchanger Assembly



Burner Assembly



Condenser and Coil Pads



Compressor - Refrigeration Group

NOTES

- Stk It is recommended that stock be maintained for this part.
N/A Not Applicable
1 Order Gas Valve for Natural Gas along with LP Conversion Kit.