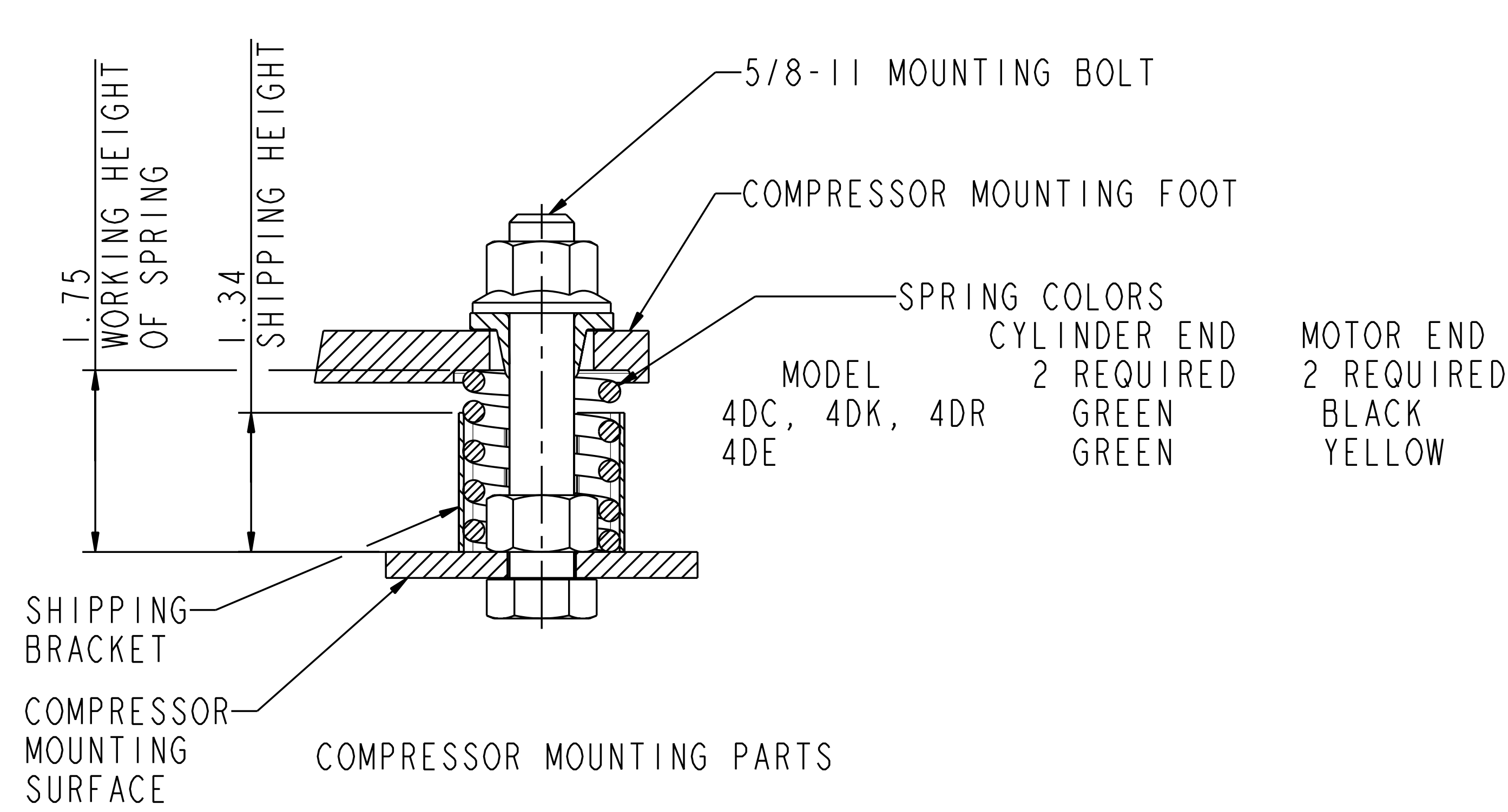
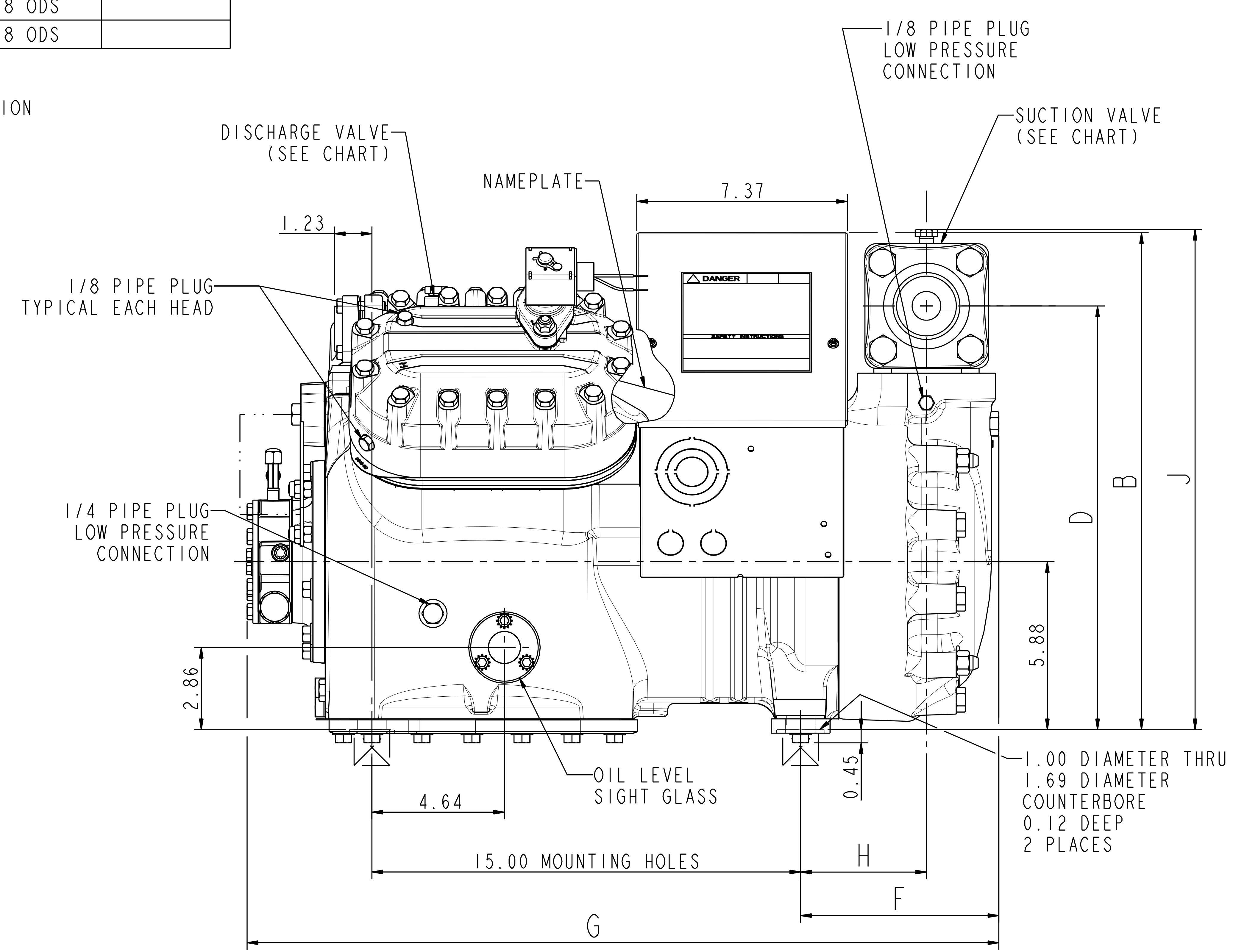
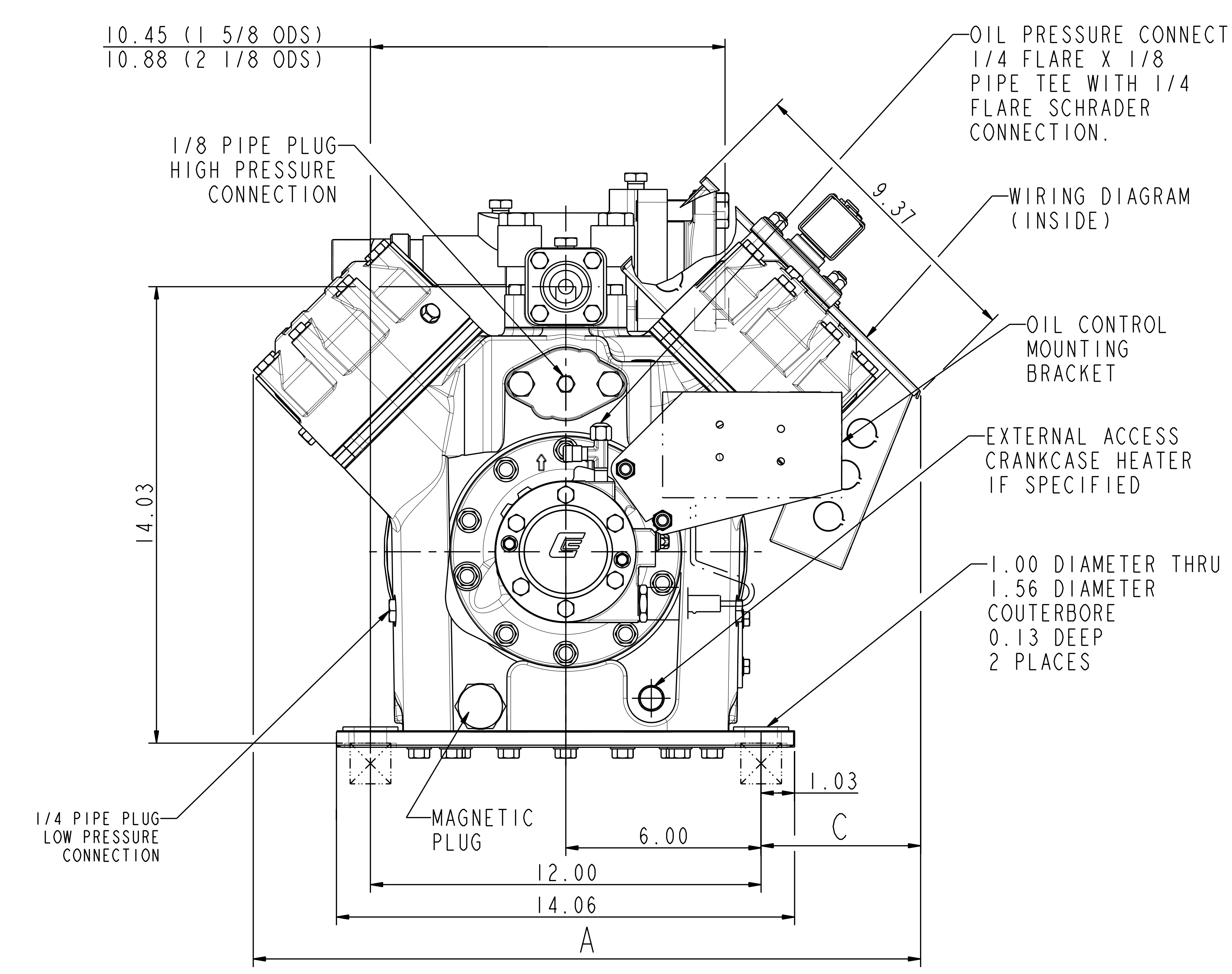


MODEL	A	B	C	D	F	G	H	J	SUCTION VALVE	DISCHARGE VALVE	OLD MODEL NAME
4DC3R20M	20.38	17.44	4.75	14.83	6.93	26.28	4.40	17.51	2 1/8 ODS	1 3/8 ODS	4DC3A220
4DE3R18M	20.06	17.28	4.59	14.11	6.04	25.39	3.84	16.12	1 5/8 ODS	1 3/8 ODS	4DE3A200
4DE3R18M*-AWX	20.06	17.28	4.59	14.11	6.04	25.39	3.84	16.12	1 5/8 ODS	1 1/8 ODS	4DE3A200
4DR3R28M	20.38	17.44	4.75	14.83	7.68	27.03	5.15	17.51	2 1/8 ODS	1 3/8 ODS	4DR3A300
4DK3R22M	20.38	17.44	4.75	14.83	6.93	26.28	4.40	17.51	2 1/8 ODS	1 3/8 ODS	4DK3A250
4DK3R22M*-AWX	20.38	17.44	4.75	14.83	6.93	26.28	4.40	17.51	2 1/8 ODS	1 1/8 ODS	4DK3A250
4DE3R12M	20.06	17.28	4.59	14.11	6.04	25.39	3.84	16.12	1 5/8 ODS	1 1/8 ODS	4DE3A100
4DR3R19M	20.38	17.44	4.75	14.83	6.93	26.28	4.40	17.51	2 1/8 ODS	1 3/8 ODS	4DR3A200
4DK3R16M	20.38	17.44	4.75	14.11	6.04	25.39	3.84	16.12	1 5/8 ODS	1 1/8 ODS	4DK3A150
4DR3R28M	20.38	17.44	4.75	14.83	7.68	27.03	5.15	17.51	2 1/8 ODS	1 3/8 ODS	4DR3A270
4DK3S16M	20.38	17.44	4.75	14.83	6.93	26.28	4.40	17.51	2 1/8 ODS	1 3/8 ODS	
4DE3S13M	20.06	17.28	4.59	14.11	6.04	25.39	3.84	16.12	1 5/8 ODS	1 3/8 ODS	
4DE3R19M	20.06	17.28	4.59	14.11	6.04	25.39	3.84	16.12	1 5/8 ODS	1 3/8 ODS	
4DR3R29M	20.38	17.44	4.75	14.83	7.68	27.03	5.15	17.51	2 1/8 ODS	1 3/8 ODS	
4DC3R21M	20.38	17.44	4.75	14.83	6.93	26.28	4.40	17.51	2 1/8 ODS	1 3/8 ODS	
4DK3R23M	20.38	17.44	4.75	14.83	6.93	26.28	4.40	17.51	2 1/8 ODS	1 3/8 ODS	

NOTES:  
 1. ALL TOLERANCES ARE ± 0.10 EXCEPT INDUSTRY STANDARDS APPLY TO FITTINGS AND VALVES.  
 2. ALL PIPE PLUGS AND FITTINGS IN THE CYLINDER HEADS ARE HIGH PRESSURE CONNECTIONS.



INTERPRET PER ASME Y14.5M-1994 AND EMERSON CLIMATE TECHNOLOGIES, INC. DESIGN STANDARDS DS2002 DO NOT SCALE DRAWING  
 THIRD ANGLE PROJECTION  
 UNLESS OTHERWISE SPECIFIED DIMENSIONS ARE INCH OR (MILLIMETER)  
 TOLERANCES:  
 2-PLACE ±  
 3-PLACE ±  
 ANGULAR ±

ECN003514	22	REDRAWN WITH CHANGES	04-09-13	SM	RM
31-0187-020	0	RELEASE	10-05-89	CS	
ENG NOTICE NO.	REV. NO.	REVISIONS	DATE	BY	CHKD APPR
7		CONFIDENTIALITY NOTICE THIS DRAWING AND INFORMATION CONTAINED HEREIN ARE THE EXCLUSIVE PROPERTY OF EMERSON CLIMATE TECHNOLOGIES, INC. AND SHALL BE RETURNED UPON DEMAND AND SHALL NOT BE REPRODUCED IN WHOLE OR IN PART, DISCLOSED TO ANYONE ELSE OR USED, WITHOUT THE WRITTEN CONSENT OF EMERSON CLIMATE TECHNOLOGIES, INC.			
MATERIAL SPECIFICATION		DATE	SUPERSEDES DWG. NO. / REV. NO.		
N/A		04-09-13	497-0197-00 / 20		
		SCALE	DATE FORMAT		
		1:2	MM-DD-YY		
TITLE			DRAWING NUMBER SHEET 1 OF 1 DWG		
REF DWG-COPE COMP ASSM			497-0197-00		