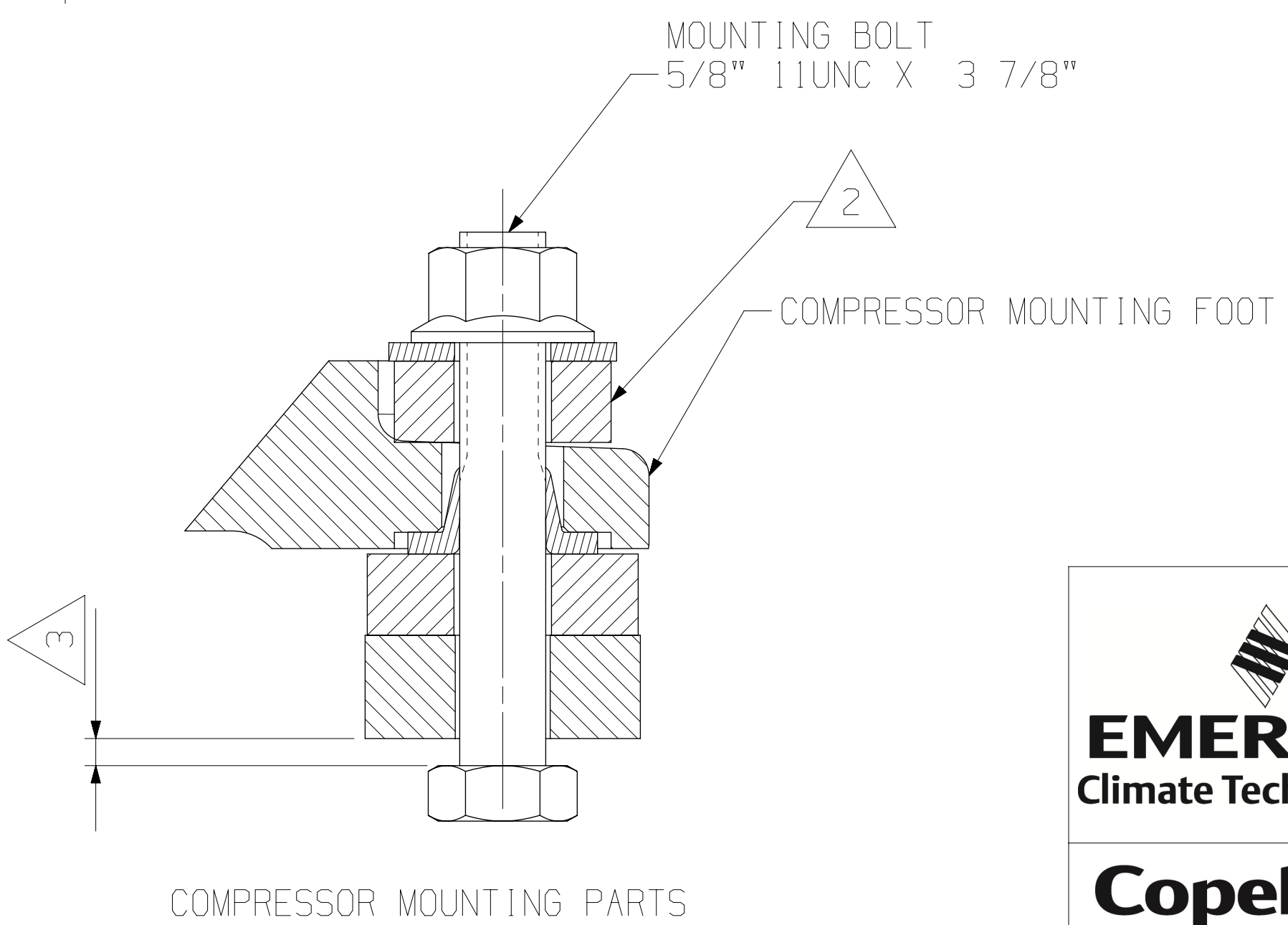
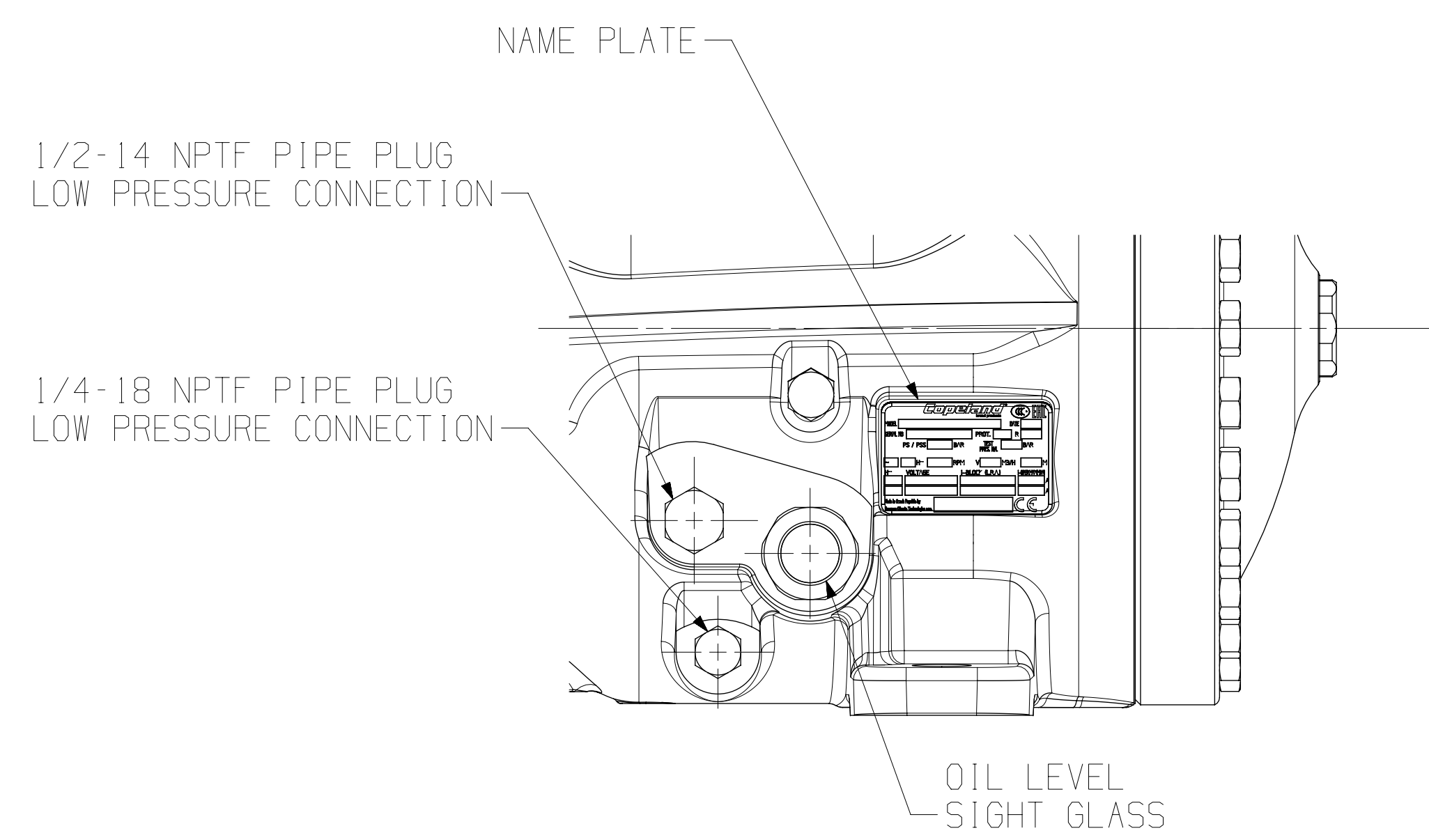
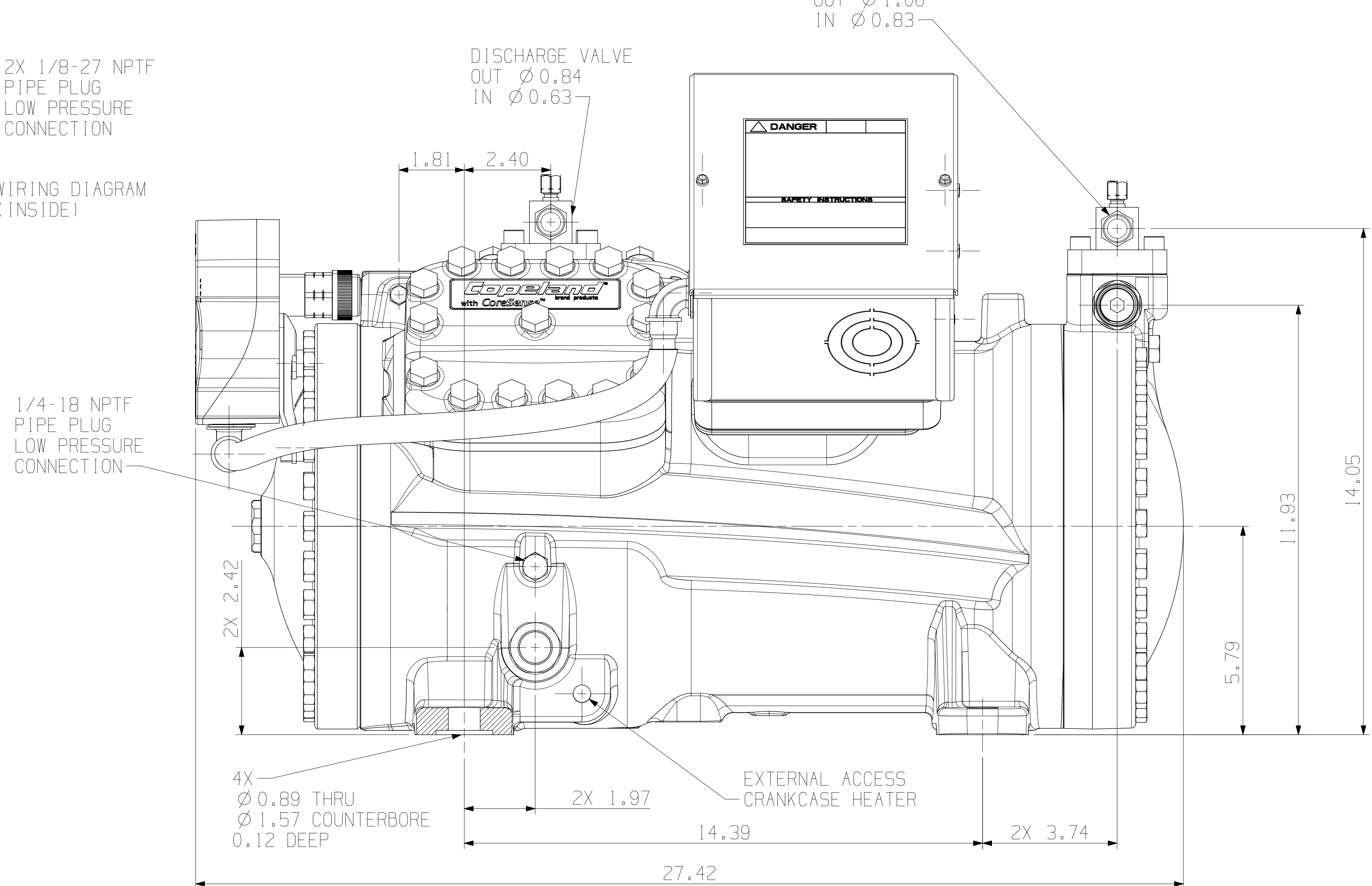
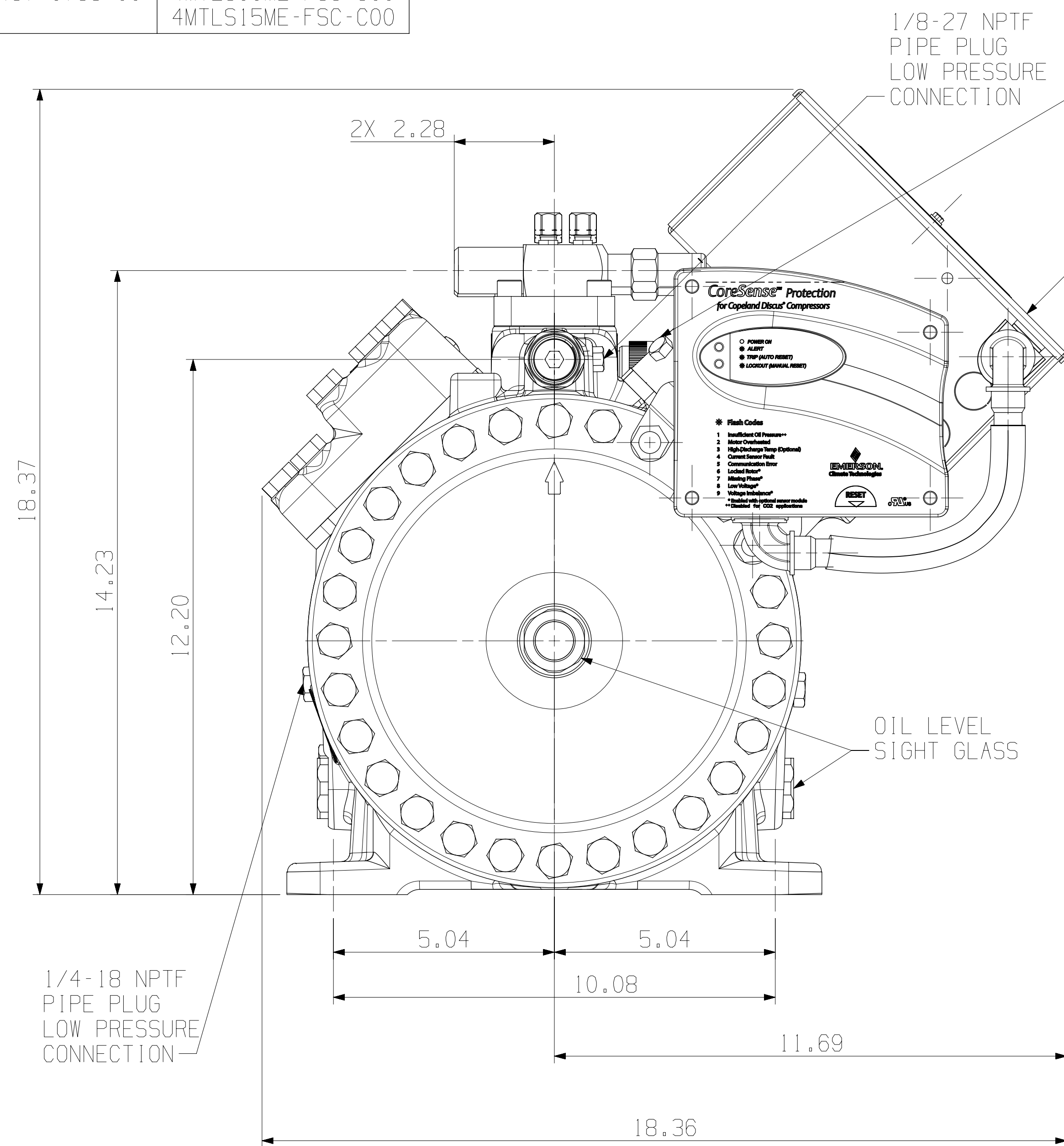


PART NUMBER	MODEL
497-1793-00	4MTLS82KE-FSC-C00 4MTLS11ME-FSC-C00 4MTLS15ME-FSC-C00



- NOTES:
- ALL TOLERANCES ARE ± 0.10 EXCEPT INDUSTRY STANDARDS APPLY TO FITTINGS AND VALVE.
 - MOUNTING PARTS: RUBBER
 - HEIGHT OF THE MOUNTING RAIL

EMERSON
Climate Technologies

Copeland
brand products

INTERPRET PER ASME Y14.5M-1994 AND EMERSON CLIMATE TECHNOLOGIES, INC. DESIGN STANDARDS DS2002

DO NOT SCALE DRAWING

THIRD ANGLE PROJECTION

CRITICAL PRODUCT CHARACTERISTICS

UNLESS OTHERWISE SPECIFIED DIMENSIONS ARE INCH OR (MILLIMETER)

TOLERANCES:
2-PLACE :
3-PLACE :
ANGULAR :

ENG NOTICE NO.	REV. NO.	REVISIONS	DATE	BY	CHKD	APPR
ECN100316	1	CHANGED MATERIAL SPECIFICATION	06-01-15	FH	TKU	MH
ECN100316	0	RELEASED	03-10-15	RKP	JSK	

CONFIDENTIALITY NOTICE

THIS DRAWING AND INFORMATION CONTAINED HEREIN ARE THE EXCLUSIVE PROPERTY OF EMERSON CLIMATE TECHNOLOGIES, INC. AND SHALL BE RETURNED UPON DEMAND AND SHALL NOT BE REPRODUCED, IN WHOLE OR IN PART, DISCLOSED TO ANYONE ELSE OR USED, WITHOUT THE WRITTEN CONSENT OF EMERSON CLIMATE TECHNOLOGIES, INC.

MATERIAL SPECIFICATION	DRAWN BY	SUPERSEDES DWG. NO. / REV. NO.
495-1869-00	RKP	- / -
	DATE	SCALE
	03-10-15	1:1
TITLE	DRAWING NUMBER	SHEET 1 OF 1
REF DWG-COPE COMP ASSM	497-1793-00	4