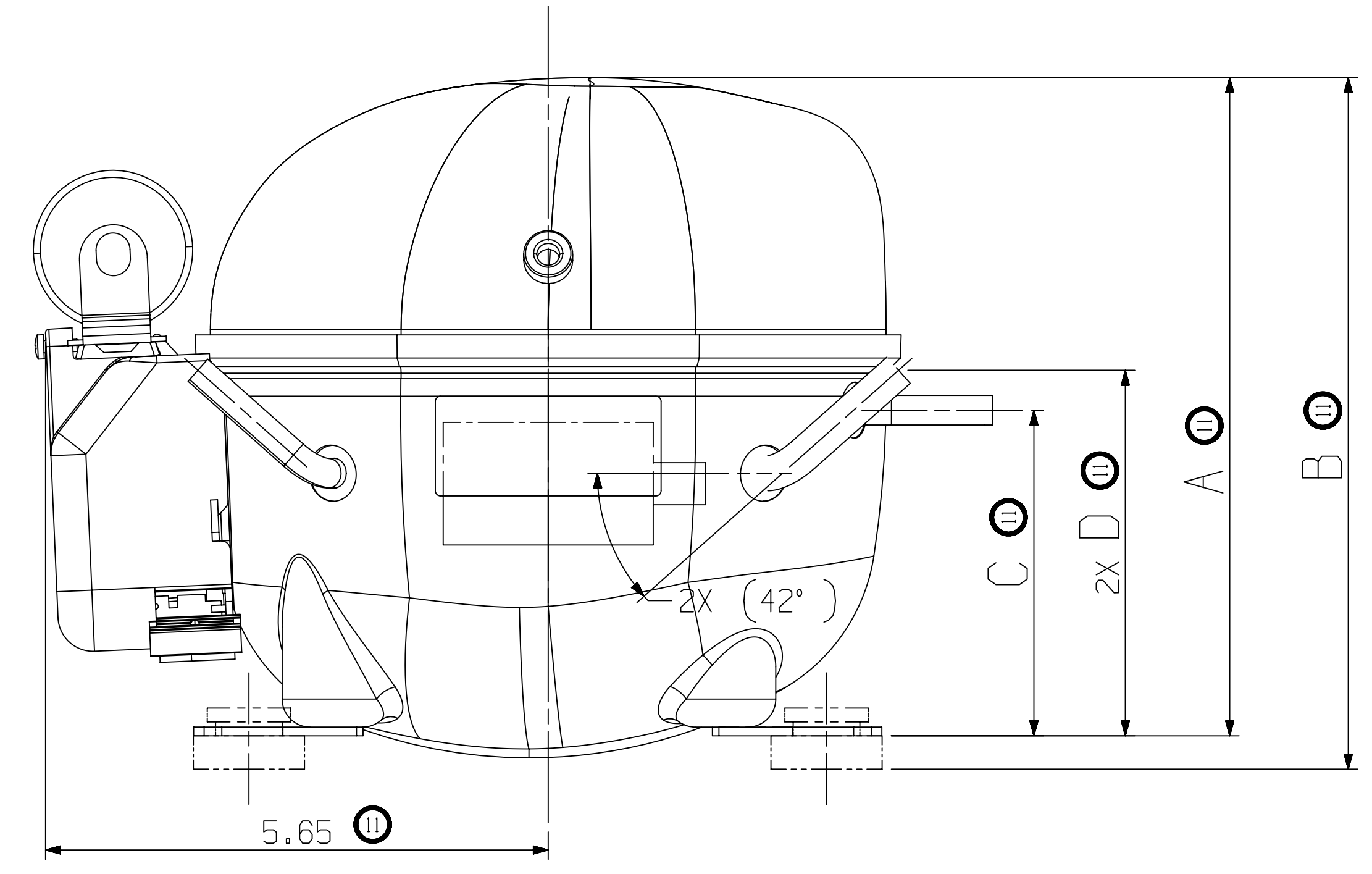
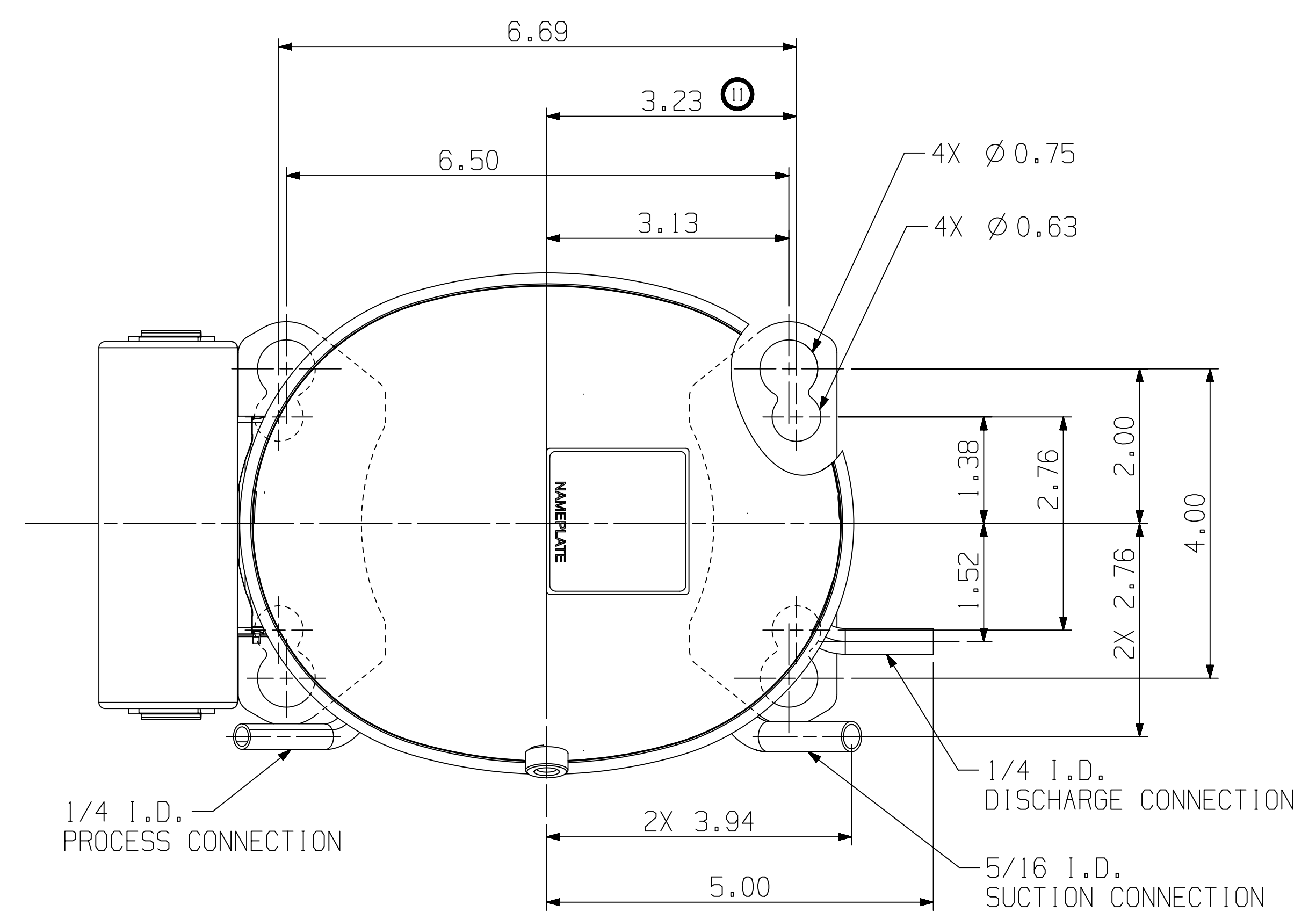
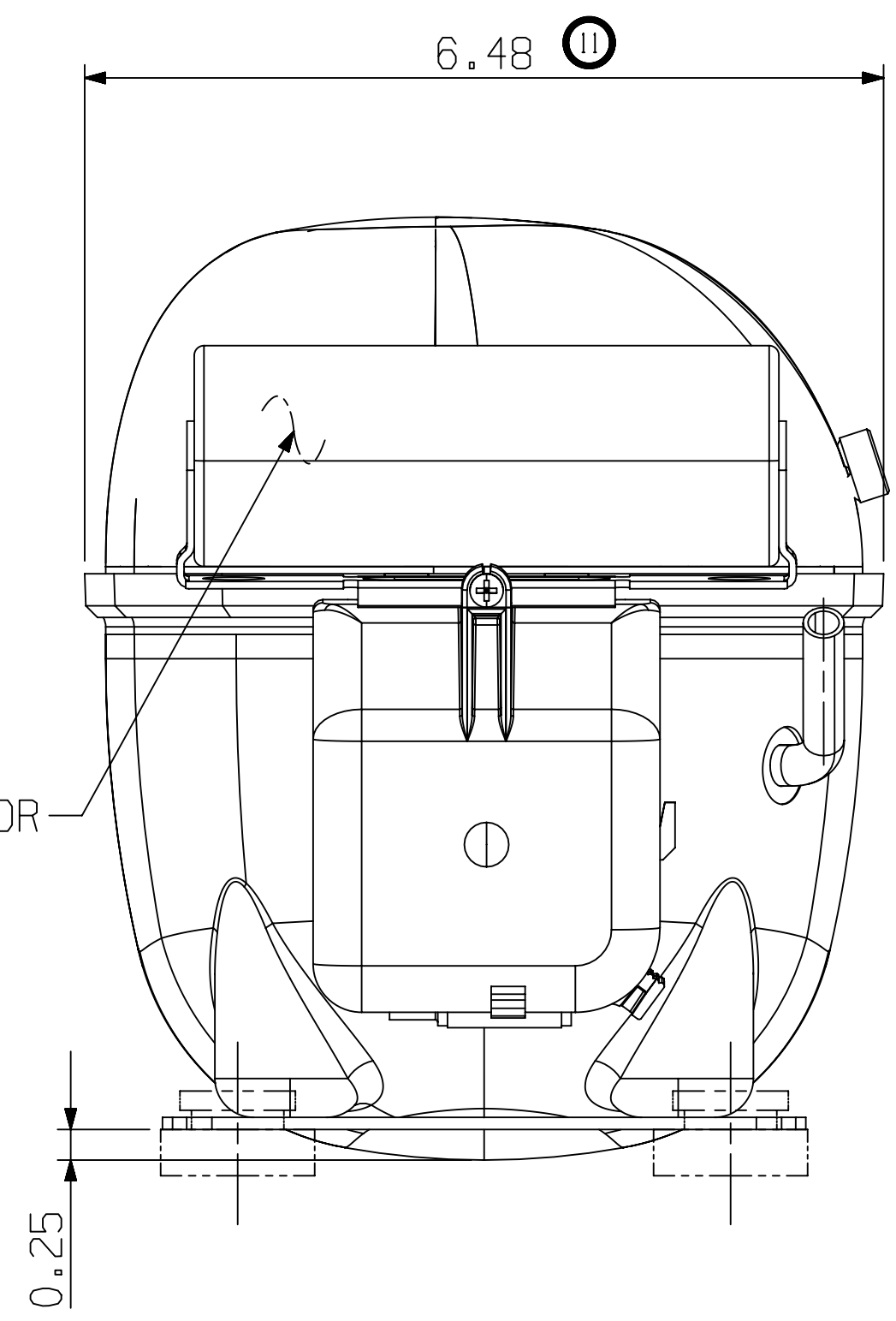


PART NUMBER	MODEL	A	B	C	D
497-1937-00	ARE25C5E-CAA ARE35C5E-1AB ASE20C5E-1AA ASE20C5E-CAA	7.40	7.78	3.66	4.11
497-1937-01	AFE14C5E-CAA AFE14C5E-1AA AFE14C5E-1AV AFE14C5E-1AZ ARE25C5E-1AA ARE35C5E-CAA ARE35C5E-1AA ARE42C5E-CAZ ARE42C5E-1AZ ASE24C5E-CAA ASE24C5E-1AA ASE24C5E-1AZ ASE24C5E-1AB ASE28C5E-CAA ASE28C5E-CAV ASE28C5E-1AA ASE28C5E-1AV ASE28C5E-1AZ ARE42C5E-CAV ARE42C5E-1AV ARE42C5E-1AA ARE42C5E-CAA	7.87	8.25	4.15	4.60
497-1937-02	AFE13C5E-CAA AFE13C5E-1AA AFE20C5E-CAA AFE20C5E-CAV AFE20C5E-1AA AFE20C5E-1AV AFE20C5E-1AZ AFE23C5E-CAA AFE23C5E-CAV AFE23C5E-CAZ AFE23C5E-1AZ AFE26C5E-CAA AFE26C5E-CAV AFE26C5E-CAZ ARE42C5E-CAA ARE42C5E-1AA ARE48C5E-CAA ARE48C5E-CAB ARE48C5E-1AA ARE48C5E-1AB ARE54C5E-CAA ARE54C5E-CAV ARE54C5E-CAZ ARE54C5E-1AA ARE54C5E-1AV ARE54C5E-1AZ ASE39C5E-CAA ASE39C5E-CAV ASE39C5E-CAZ ASE39C5E-1AA ASE39C5E-1AV ASE39C5E-1AZ ASE45C5E-CAA ASE45C5E-CAV ASE45C5E-CAZ ASE32C5E-CAA ASE32C5E-1AA ASE32C5E-CAB ASE32C5E-CAV ASE32C5E-1AB ASE32C5E-1AV	8.11	8.49	4.15	4.60

⑪
⑫
⑬



ENG NOTICE NO.	REV.NO.	REVISIONS	DATE	BY	CHKD	APPR
ECN306314	12	ADDED MODEL : ASE24C5E-1AB	12-14-17	JSK	JSK	JJ
ECN302606	11	REDRAWN WITH CHANGES	07-17-17	JSK	JSK	JJ
ECN200176	0	RELEASED	04-04-16	SVR	JSK	

CONFIDENTIALITY NOTICE			
20	THIS DRAWING AND INFORMATION CONTAINED HEREIN ARE THE EXCLUSIVE PROPERTY OF EMERSON CLIMATE TECHNOLOGIES, INC. AND SHALL BE RETURNED UPON DEMAND AND SHALL NOT BE REPRODUCED IN WHOLE OR IN PART DISCLOSED TO ANYONE ELSE OR USED, WITHOUT THE WRITTEN CONSENT OF EMERSON CLIMATE TECHNOLOGIES, INC.		
MATERIAL SPECIFICATION	DRAWN BY	SUPERSEDES DWG. NO. / REV. NO.	
N/A	JSK	497-1937-00/ 010	
	DATE	SCALE	DATE FORMAT:
	07-17-17	3:4	MM-DD-YY
TITLE	DRAWING NUMBER	SHEET 1 OF 1	
REF DWG-WELD COMP ASSM	497-1937-00	4	
		SIZE	



INTERPRET PER ASME Y14.5M-1994 AND EMERSON CLIMATE TECHNOLOGIES, INC. DESIGN STANDARDS DS2002
DO NOT SCALE DRAWING
THIRD ANGLE PROJECTION
CRITICAL PRODUCT CHARACTERISTICS
UNLESS OTHERWISE SPECIFIED DIMENSIONS ARE INCH OR (MILLIMETER)
TOLERANCES:
2-PLACE ± N/A
3-PLACE ± N/A
ANGULAR ± N/A

UNCONTROLLED - DO NOT MODIFY

COPYRIGHT EMERSON CLIMATE TECHNOLOGIES, INC. - CONFIDENTIAL