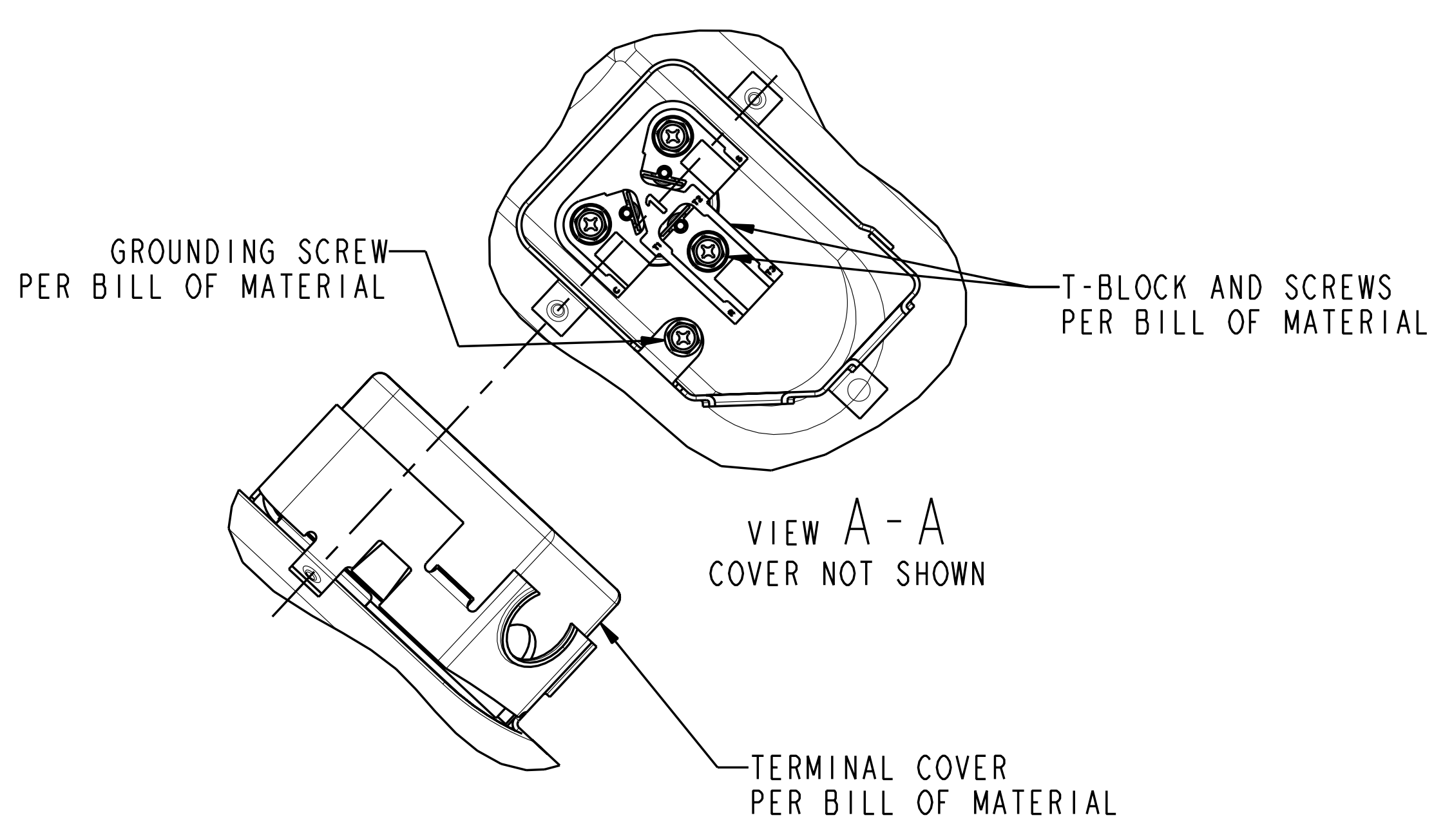
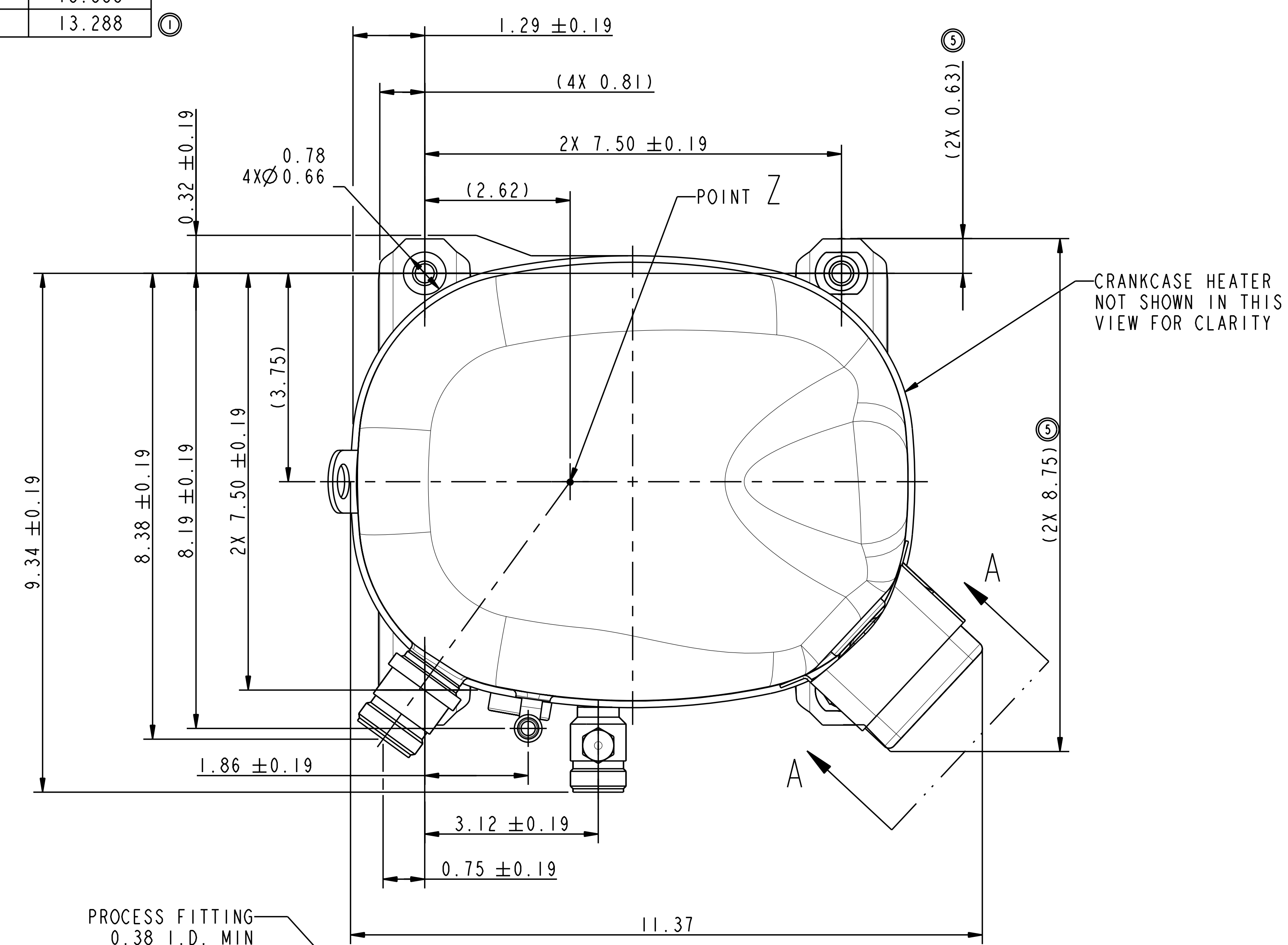


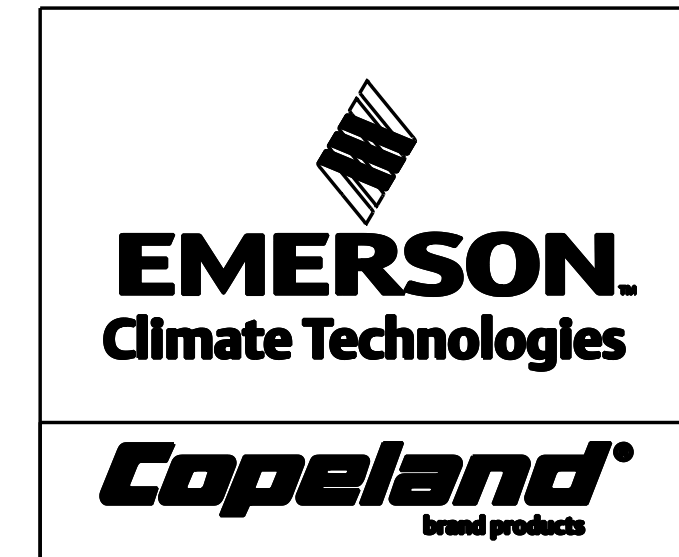
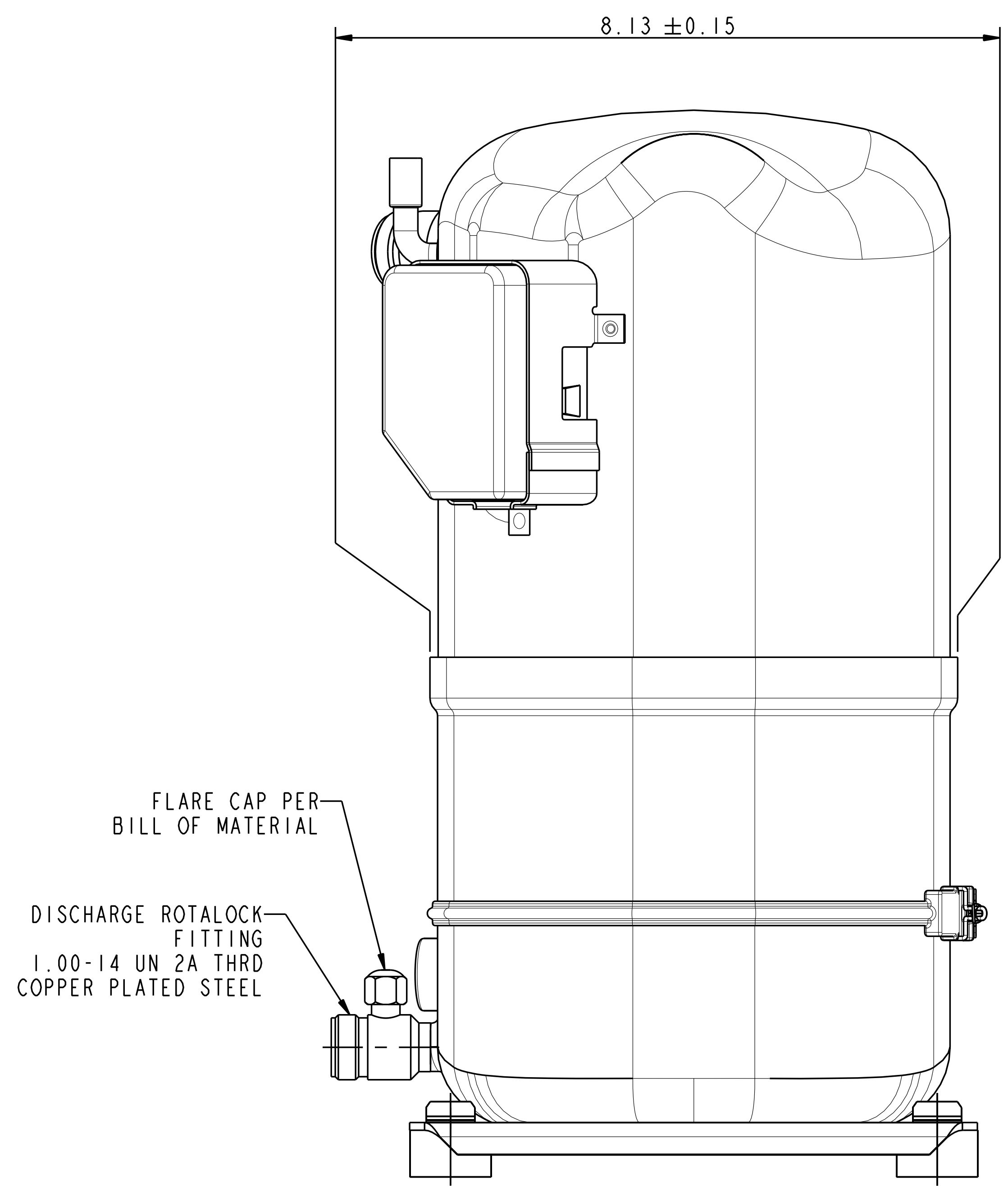
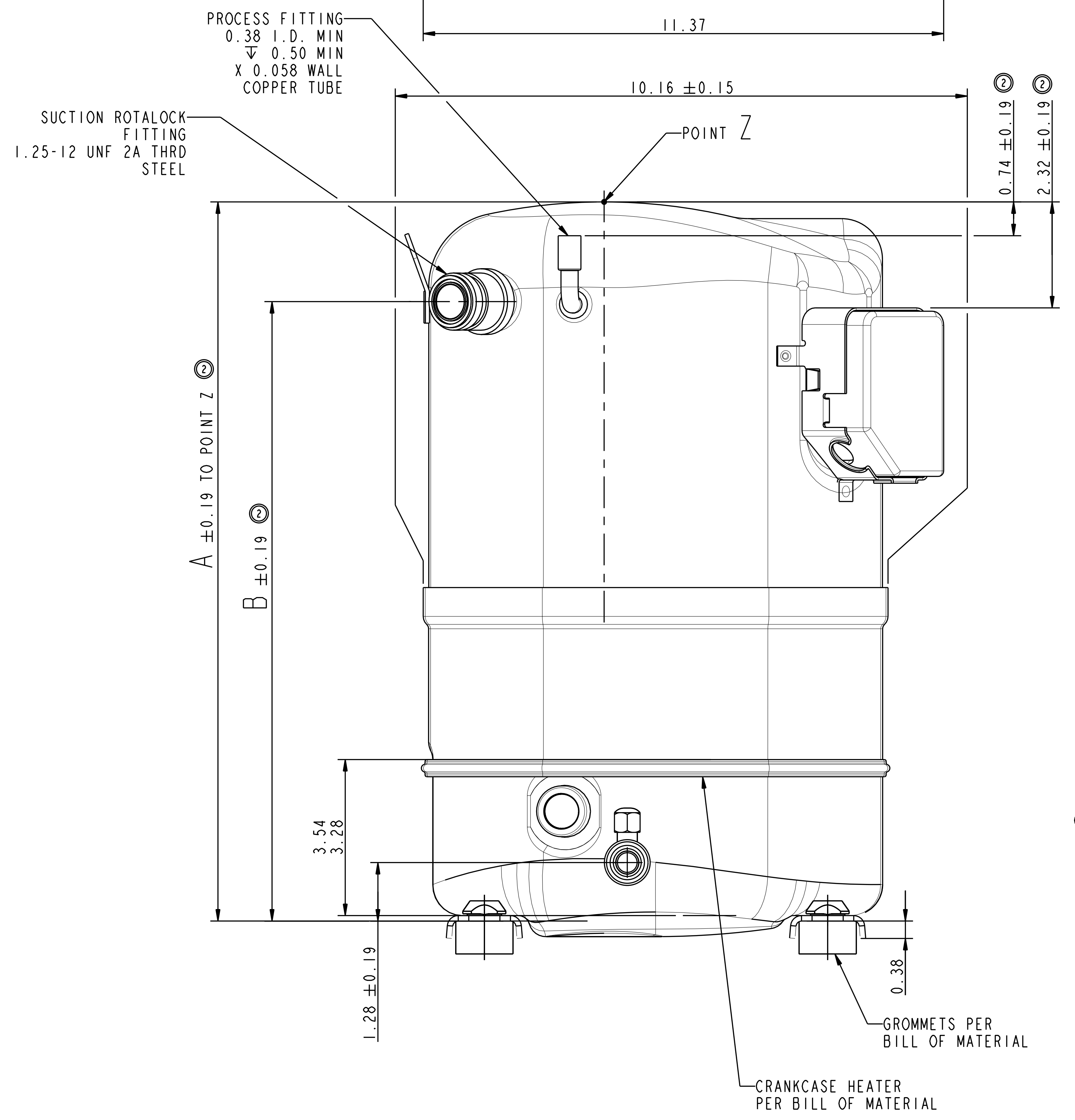
PART NUMBER	A	B
497-3829-00	15.717	13.538
497-3829-01	15.467	13.288

SPECIFICATIONS	
ES NO.	DESCRIPTION
ES22-122	PACKAGING
ES81-159	CLEANLINESS
ES81-250	IDENTIFICATION
ES92-167	REGULATORY COMPLIANCE



- NOTES:
1. TOLERANCES TO BE  $\pm 0.12$  UNLESS OTHERWISE SPECIFIED.
  2. TUBE ENDS MUST BE PLUGGED.
  3. FOR MODEL APPLICATION REFER TO CHART

MODEL/PART CROSS REF		3
MODEL NUMBER	PART NUMBER FOR SE -595	
6	CRNO-050E-PFV	497-3829-00
6	CRNO-050E-TF5	
	CRNO-0500-PFV	
	CRNO-0500-TF5	
	CRNO-0500-TFD	
	CRNO-050E-TFD	
3	CRNO-0500-TFE	497-3829-01
3	CRN5-0500-TFE	
3	CRN5-050E-TFE	
3	CRNO-050E-TFE	
2	CRP5-0450-TFD	
2	CRP5-045E-TFD	
4	CRPO-045E-TFD	
4	CRPO-045E-TF5	



INTERPRET PER ASME Y14.5M-1994 AND EMERSON CLIMATE TECHNOLOGIES, INC. DESIGN STANDARDS DS2002 DO NOT SCALE DRAWING  
THIRD ANGLE PROJECTION  
UNLESS OTHERWISE SPECIFIED DIMENSIONS ARE INCH OR (MILLIMETER)  
TOLERANCES:  
2-PLACE ± N/A  
3-PLACE ± N/A  
ANGULAR ± N/A

ECN101542	6	ADDED CRNO-050E-PFV/TFS MODELS IN TABLE	05-13-15	SAS	BAH	EJT
ECN006685	5	UPDATED PRINT	11-13-13	ACL	BAH	EJT
ECN007268	4	ADDED CRPO-045E-TF5 & CRPO-045E-TFD	06-24-13	DKM	BAH	EJT
ECN007049	3	ADDED MODELS IN MODEL NUMBER TABLE	04-17-13	PAS	BAH	EJT
ECN005086	2	UPDATED MODEL NUMBER TABLE	02-02-12	PAS	BAH	EJT
ECN004470	1	ADDED CRP5-0450-TFD-595	09-21-11	KRB	BAH	EJT
ECN003323	0	RELEASED	09-09-11	KRB	BAH	BAH

ENG NOTICE NO.	REV. NO.	REVISIONS	DATE	BY	CHKD	APPR
3		THIS DRAWING AND INFORMATION CONTAINED HEREIN ARE THE EXCLUSIVE PROPERTY OF EMERSON CLIMATE TECHNOLOGIES, INC. AND SHALL BE RETURNED UPON DEMAND AND SHALL NOT BE REPRODUCED IN WHOLE OR IN PART, DISCLOSED TO ANYONE ELSE OR USED, WITHOUT THE WRITTEN CONSENT OF EMERSON CLIMATE TECHNOLOGIES, INC.				
DRAWN BY		SUPERSEDES DWG. NO. / REV. NO.				
DATE		SCALE		DATE FORMAT		
09-09-11		1:2		MM-DD-YY		
TITLE			DRAWING NUMBER SHEET 1 OF 1 DWG			
REF DWG - WELD COMP ASSM			497-3829-00			