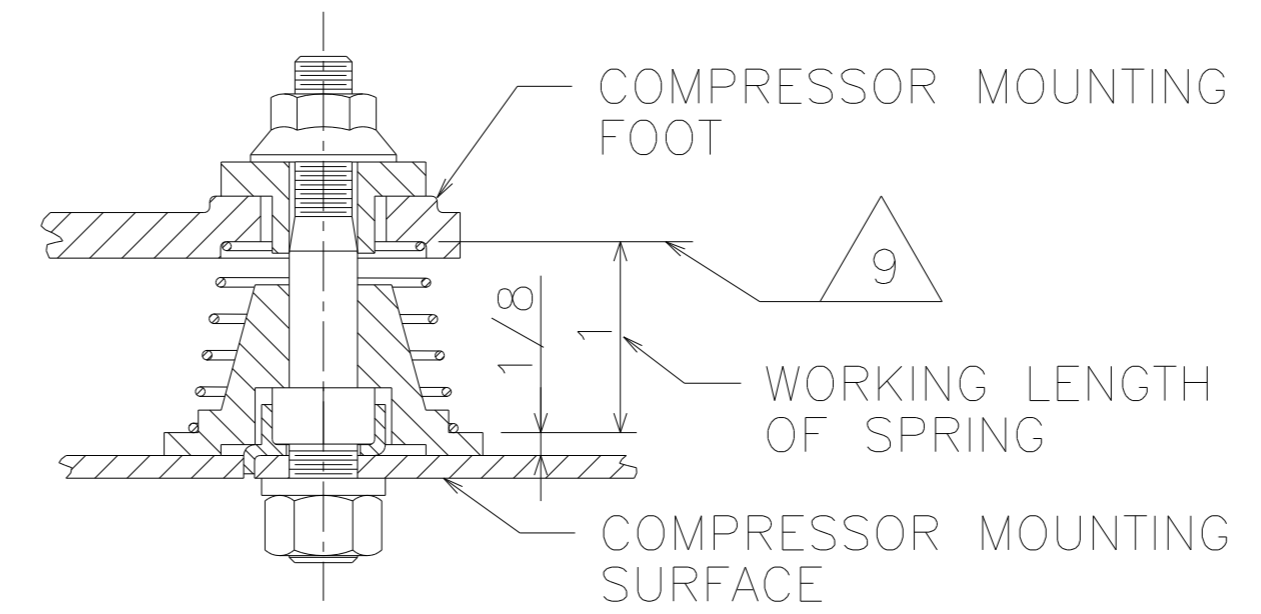
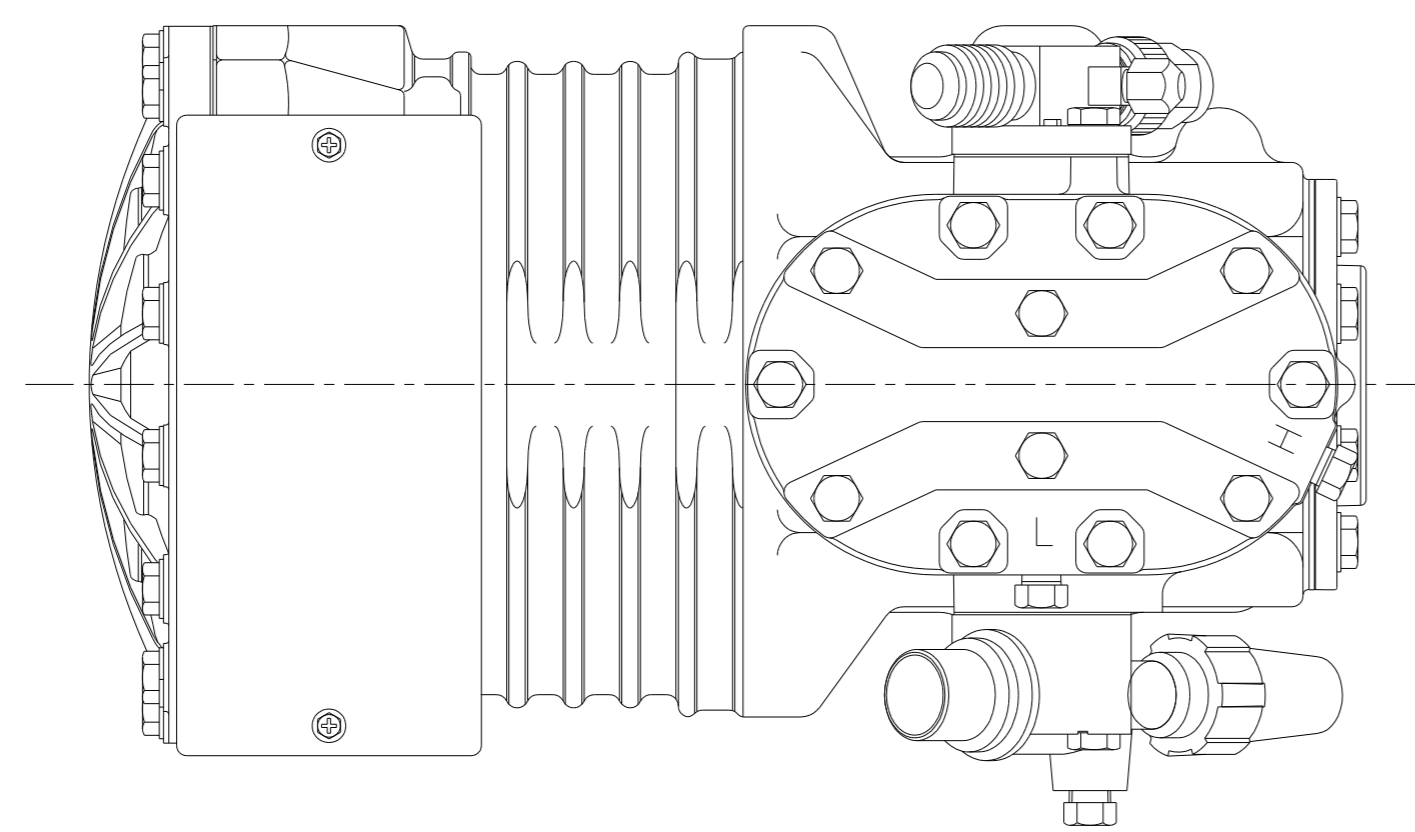


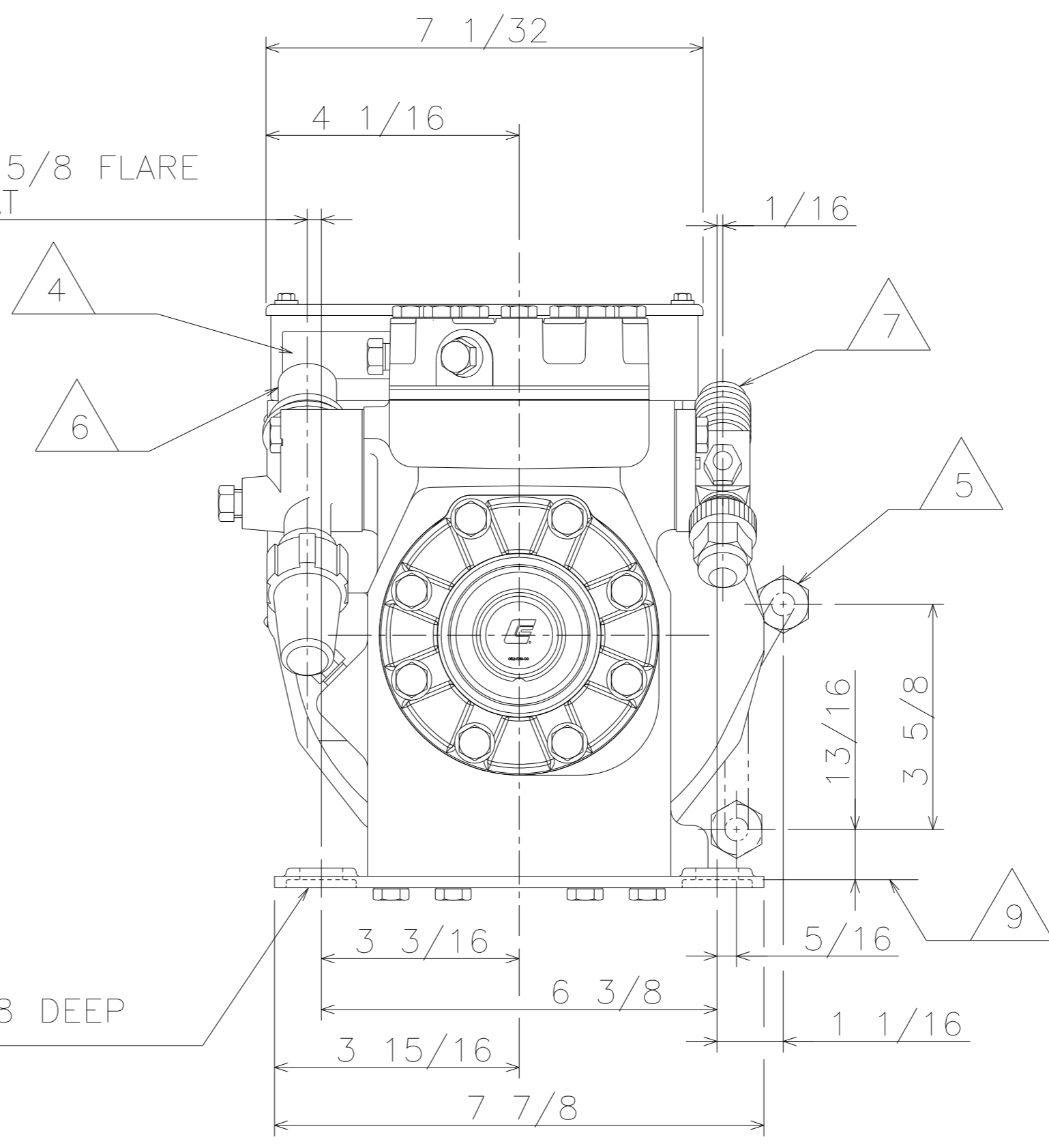
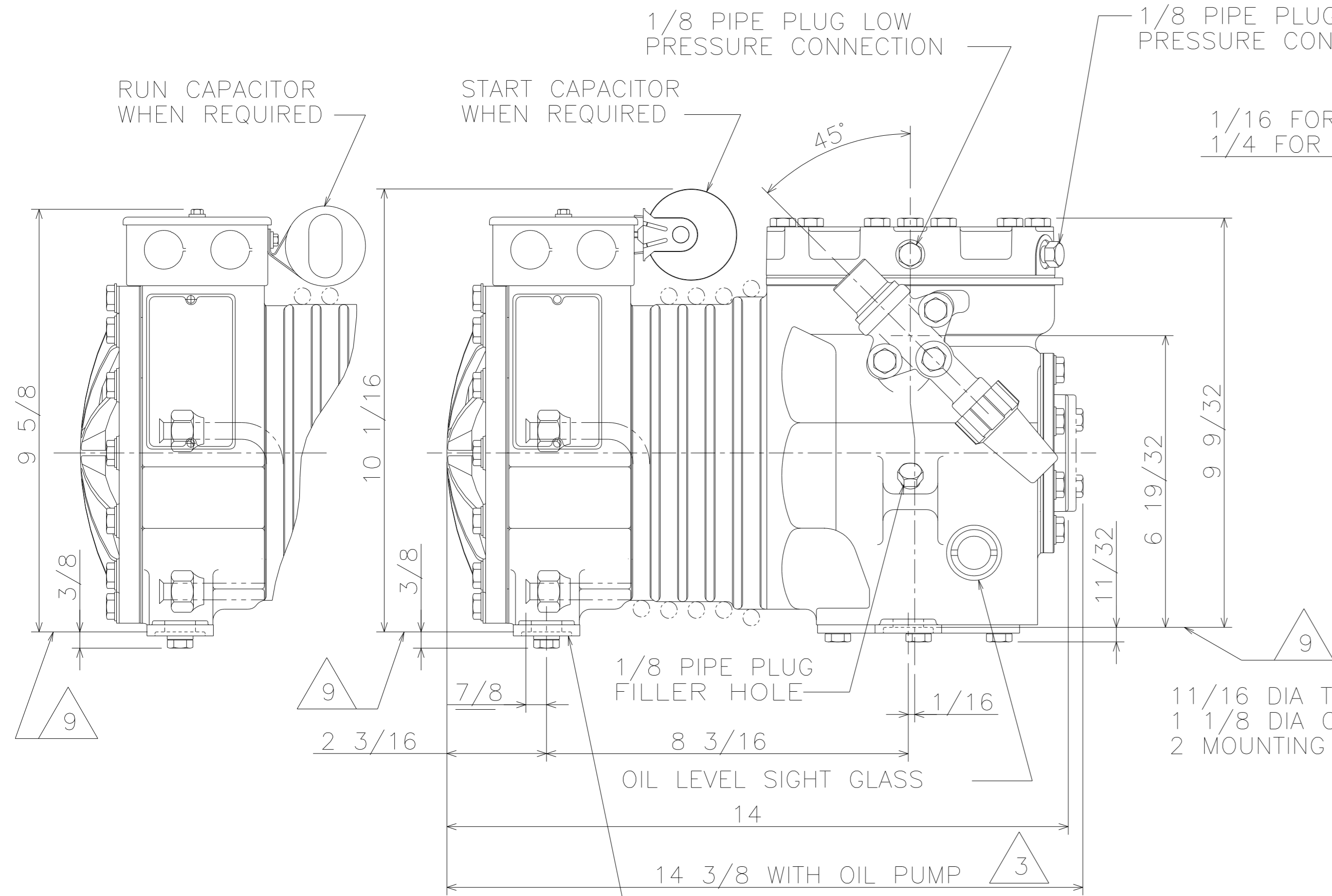
MODEL	3
CAA*	
KAA*	
KAD*	
KAE*	
KAG*	
KAH*	
KAJ*	
KAK*	
KAL*	
KAM*	
KAN*	
KAR*	
KAT*	

SPECIFICATIONS	
ES NO.	DESCRIPTION



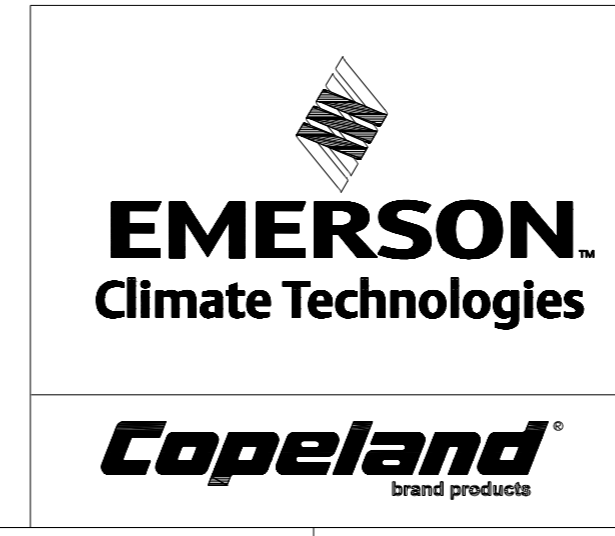
COMPRESSOR MOUNTING PARTS

- NOTES:
1. VALVE DIRECTION CAN BE STEM UP OR STEM DOWN.
 2. 1 1/2 HORSEPOWER AND ABOVE ARE STANDARD WITH OIL PUMP.
 - 3 ALL COMPRESSORS WITH OIL PUMP ARE INDICATED BY AN ALPHABETICAL CHARACTER IN THE FOURTH DIGIT.
 - 4 PLACE CUSTOMER PART NUMBER IN APPROXIMATE LOCATION SHOWN, WHEN REQUIRED.
 - 5 WATER COIL OPTIONAL, WATER INLET AND OUTLET 3/8 FLARE.
 - 6 SUCTION VALVE: 1/2 FLARE, 5/8 FLARE OR 7/8 SWEAT,
 - 7 DISCHARGE VALVE: 3/8 FLARE, 1/2 FLARE OR 5/8 FLARE.
 8. ALL TOLERANCES ARE $\pm 3/32$ EXCEPT INDUSTRY STANDARDS APPLY TO FITTINGS AND VALVES.
 - 9 MOUNTING SPRING SURFACE.



31-0807-055	25	HOUSING COVER PICTORIALY REVISED	10-31-08	VSK	WF	
31-0907-049	24	REDRAWN; CHG FORMAT FOR PROJECT INC	11-22-07	MMB	CHK	RST
10-0973-011	0	RELEASED	09-17-73	SL		
ENG NOTICE NO.	REV.NO.	REVISIONS	DATE	BY	CHKD	APPR

CONFIDENTIALITY NOTICE			
THIS DRAWING AND INFORMATION CONTAINED HEREIN ARE THE EXCLUSIVE PROPERTY OF EMERSON CLIMATE TECHNOLOGIES, INC. AND SHALL BE RETURNED UPON DEMAND AND SHALL NOT BE REPRODUCED IN WHOLE OR IN PART TO ANYONE ELSE OR USED, WITHOUT THE WRITTEN CONSENT OF EMERSON CLIMATE TECHNOLOGIES, INC.			
MATERIAL SPECIFICATION		SUPERSEDES DWG. NO. / REV. NO.	
N/A		497-0022-00 / 23	
DRAWN BY		DATE	
MMB		11-22-07	
SCALE		DATE FORMAT:	
1:2		MM-DD-YY	
TITLE			DWG
REF DWG-COPE COMP ASSM			4
DRAWING NUMBER SHEET 1 OF 2			SIZE
497-0022-00			4



INTERPRET PER ASME Y14.5M-1994 AND EMERSON CLIMATE TECHNOLOGIES, INC DESIGN STANDARDS DS2002 DO NOT SCALE DRAWING

THIRD ANGLE PROJECTION

UNLESS OTHERWISE SPECIFIED TOLERANCES ARE INCH OR [MILLIMETER]

2-PLACE $\pm N/A$
3-PLACE $\pm N/A$
ANGULAR $\pm N/A$