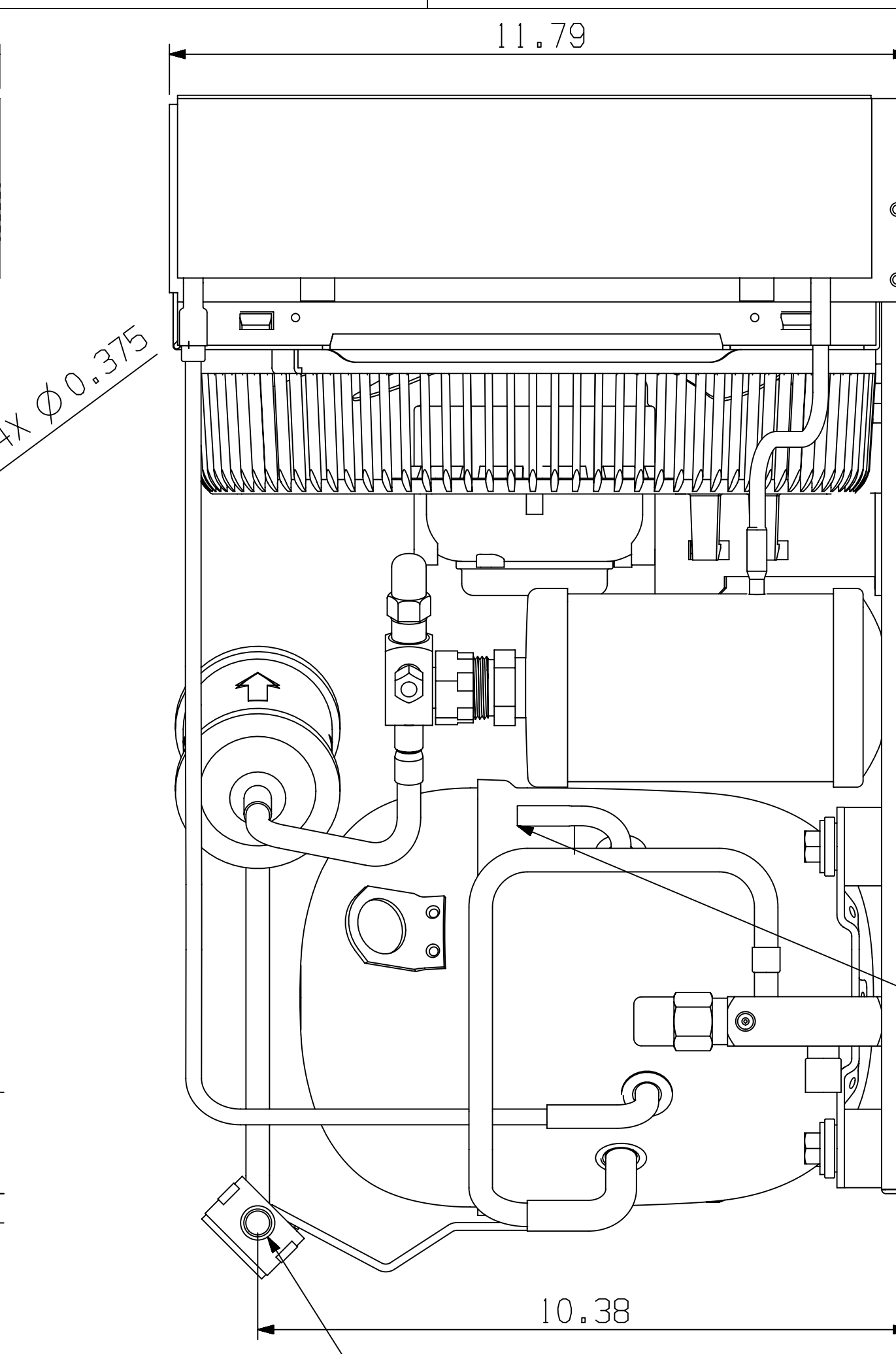
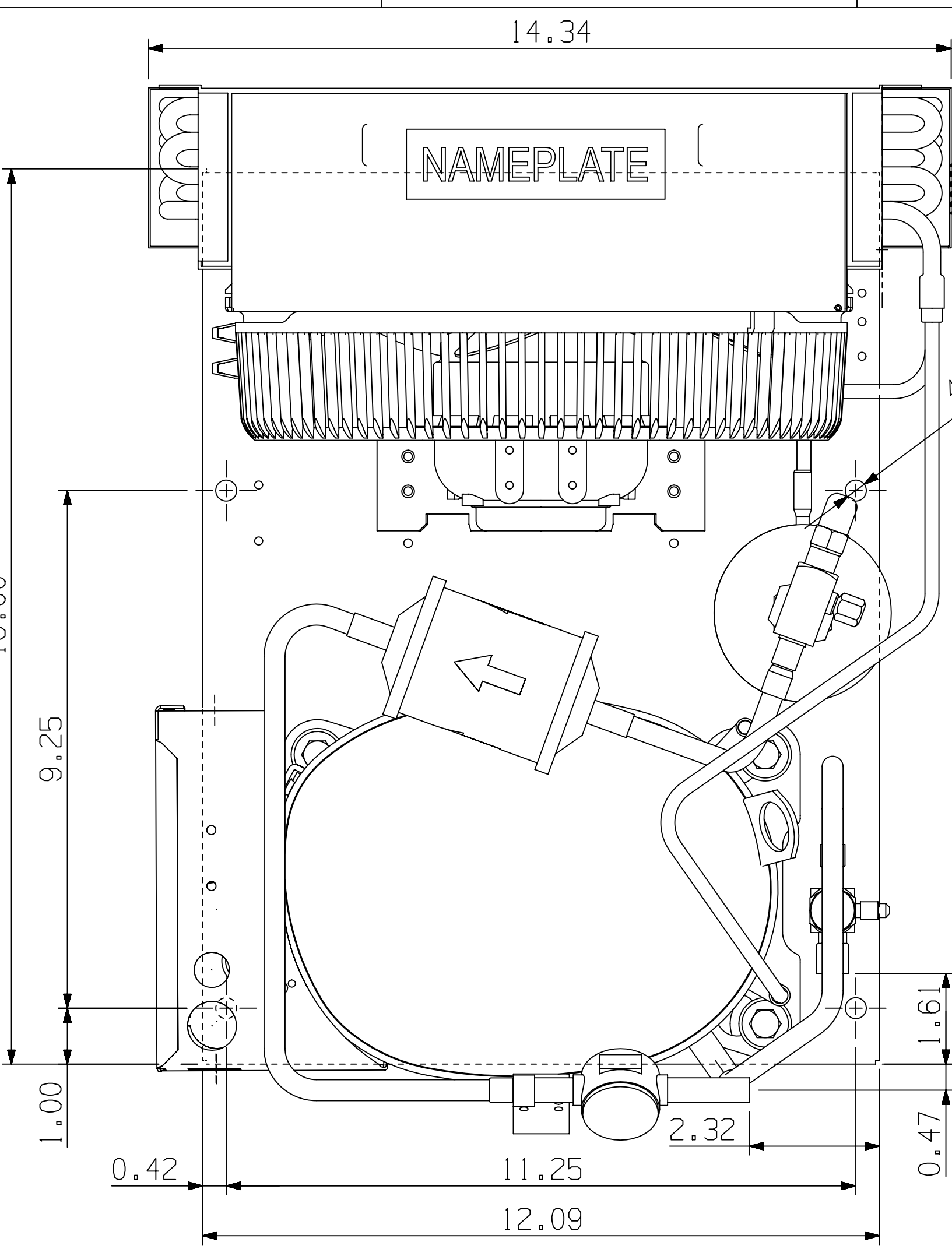
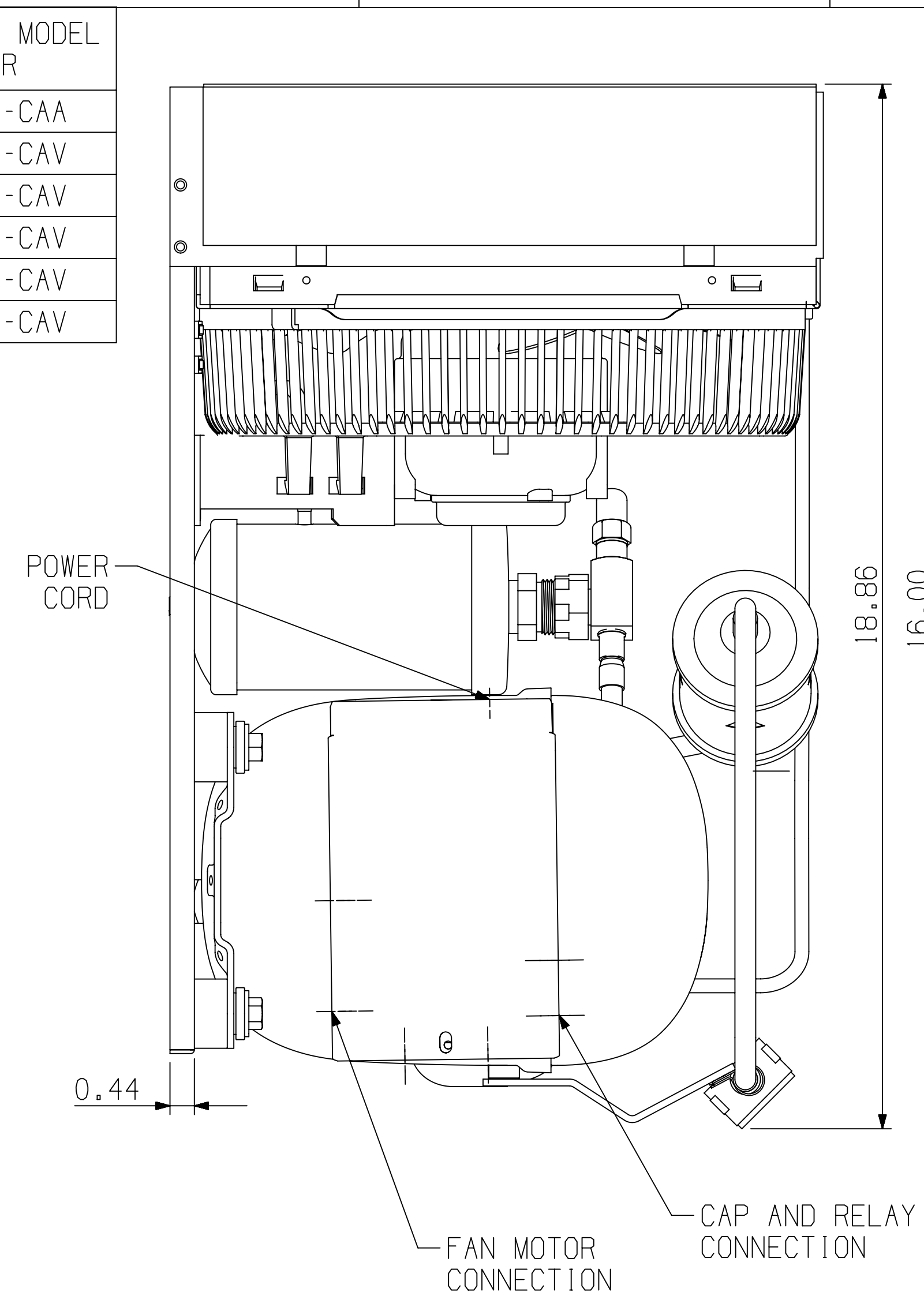
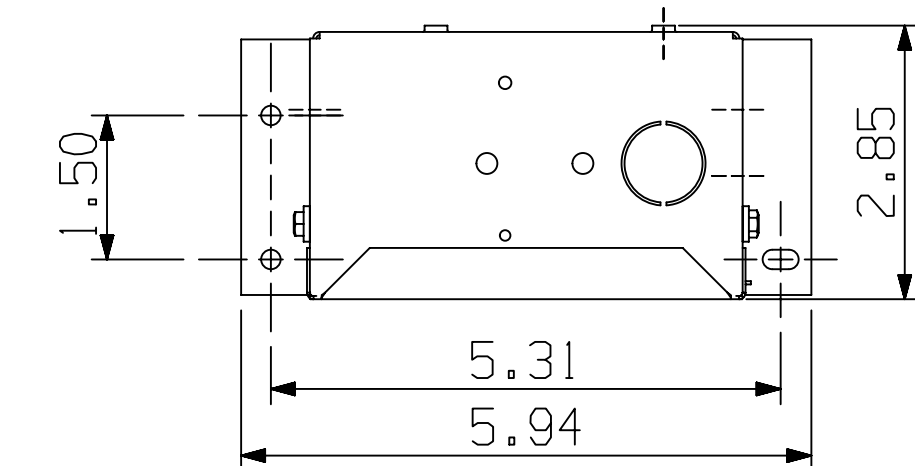
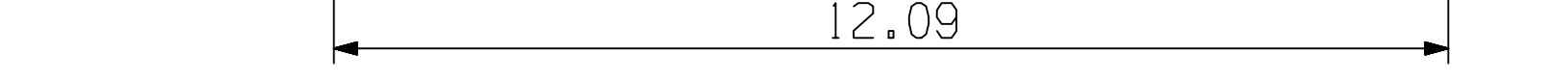


UNIT MODEL NUMBER	COMPRESSOR MODEL NUMBER
M7GH-H057-CAA-177	RRT64C1E-CAA
M7GH-H057-CAV-177	RRT64C1E-CAV
M6GP-H064-CAV-177	RST45C1E-CAV
M6GP-H074-CAV-177	RST55C1E-CAV
M6GL-H070-CAV-177	RFT22C1E-CAV
M6GL-H079-CAV-177	RFT26C1E-CAV

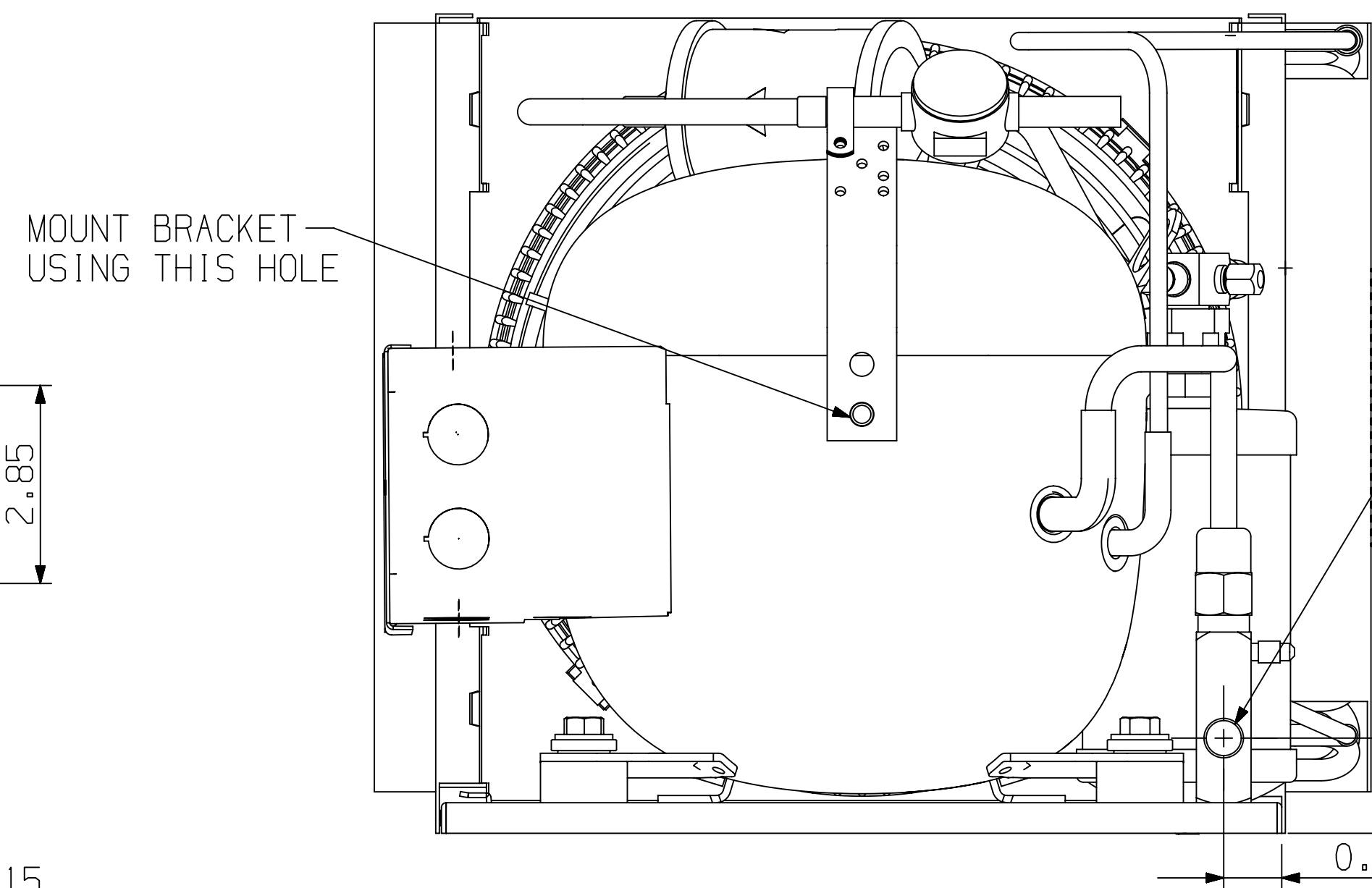


- NOTES:
- ALL OPENINGS MUST BE CAPPED OR PLUGGED.
 - UNIT PUMPDOWN CAPACITY AT 90%

R-12	3.5 LBS
R-22	3.1 LBS
R-134a	3.2 LBS
R-404A	2.7 LBS
R-407A	3.0 LBS
R-407C	3.0 LBS
R-502	3.2 LBS
R-507	2.7 LBS
R-448A	2.9 LBS
R-449A	2.9 LBS
R-450A	3.1 LBS
R-513A	3.0 LBS



CAP & RELAY ASSM. SHIPPED WIRED BUT NOT MOUNTED. HEIGHT OF BOX IS 7.15



ECN301219	0	RELEASED	02-10-17	RSC	TR	
ENG NOTICE NO.	REV.NO.	REVISIONS	DATE	BY	CHKD	APPR
CONFIDENTIALITY NOTICE						
THIS DRAWING AND INFORMATION CONTAINED HEREIN ARE THE EXCLUSIVE PROPERTY OF EMERSON CLIMATE TECHNOLOGIES, INC. AND SHALL BE RETURNED UPON DEMAND AND SHALL NOT BE REPRODUCED IN WHOLE OR IN PART DISCLOSED TO ANYONE ELSE OR USED, WITHOUT THE WRITTEN CONSENT OF EMERSON CLIMATE TECHNOLOGIES, INC.						
MATERIAL SPECIFICATION		DRAWN BY	SUPERSEDES DWG. NO. / REV. NO.			
		RSC	/			
		DATE	SCALE	DATE FORMAT:		
		02-10-17	1:2	MM-DD-YY		
TITLE		DRAWING NUMBER	SHEET 1 OF 1		DWG	
REF DWG-WELD UNIT ASSM		496-7143-66			4	
					SIZE	



INTERPRET PER ASME Y14.5M-1994 AND EMERSON CLIMATE TECHNOLOGIES, INC. DESIGN STANDARDS DS2002

DO NOT SCALE DRAWING

THIRD ANGLE PROJECTION

CRITICAL PRODUCT CHARACTERISTICS

UNLESS OTHERWISE SPECIFIED DIMENSIONS ARE INCH OR (MILLIMETER)

TOLERANCES:
 2-PLACE ±
 3-PLACE ±
 ANGULAR ±

© COPYR(GH) EMERSON CLIMATE TECHNOLOGIES, INC. - CONFIDENTIAL