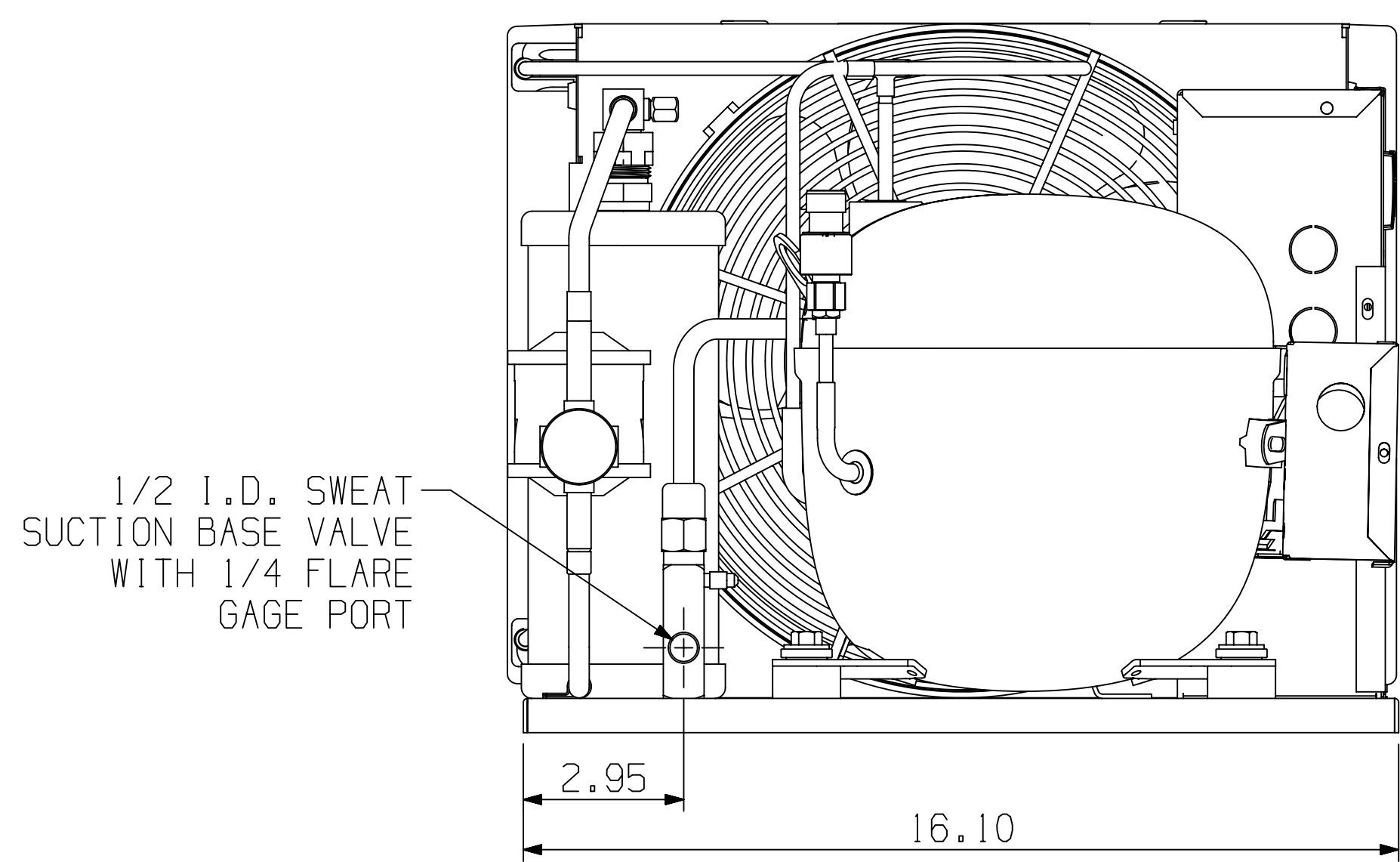
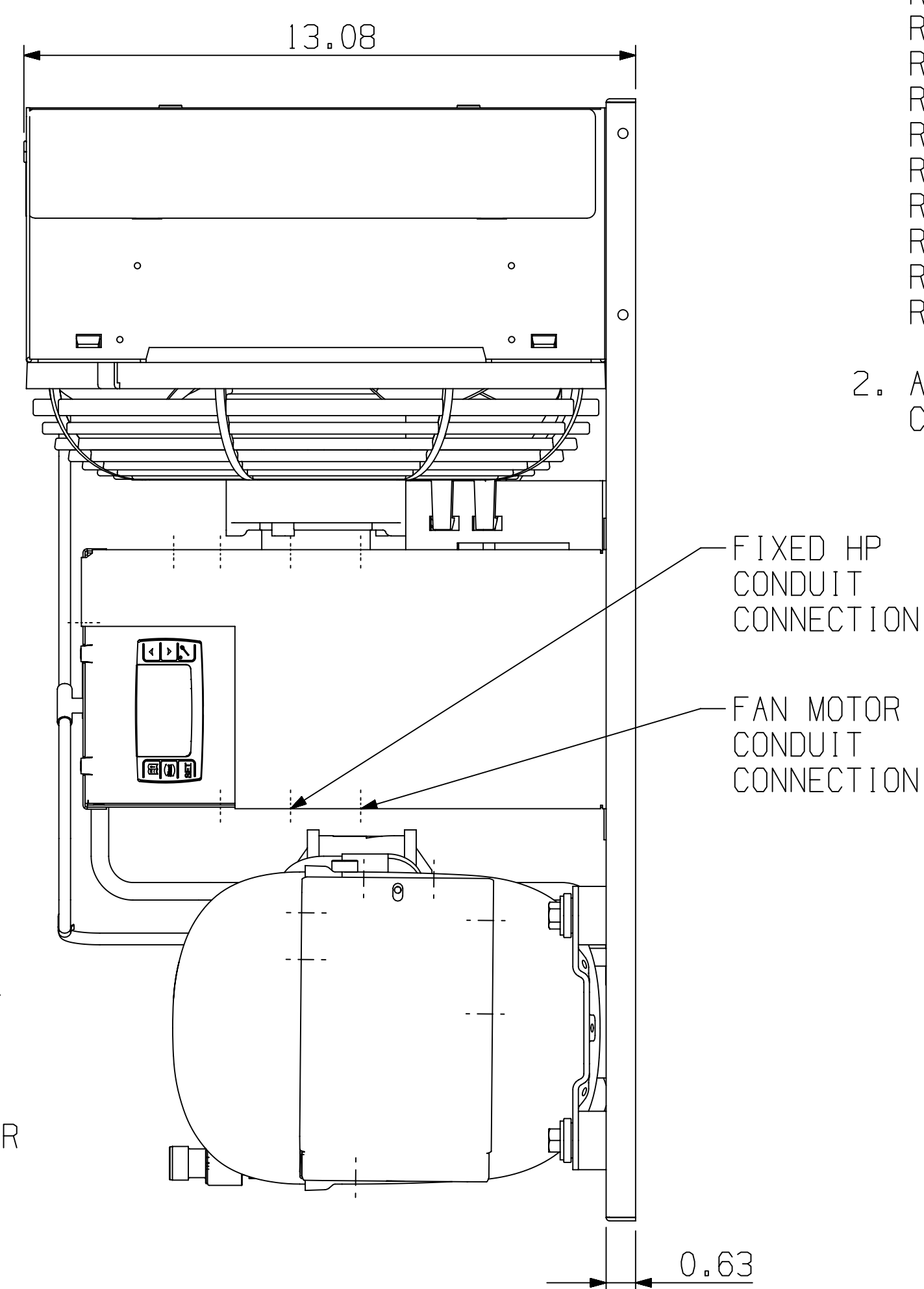
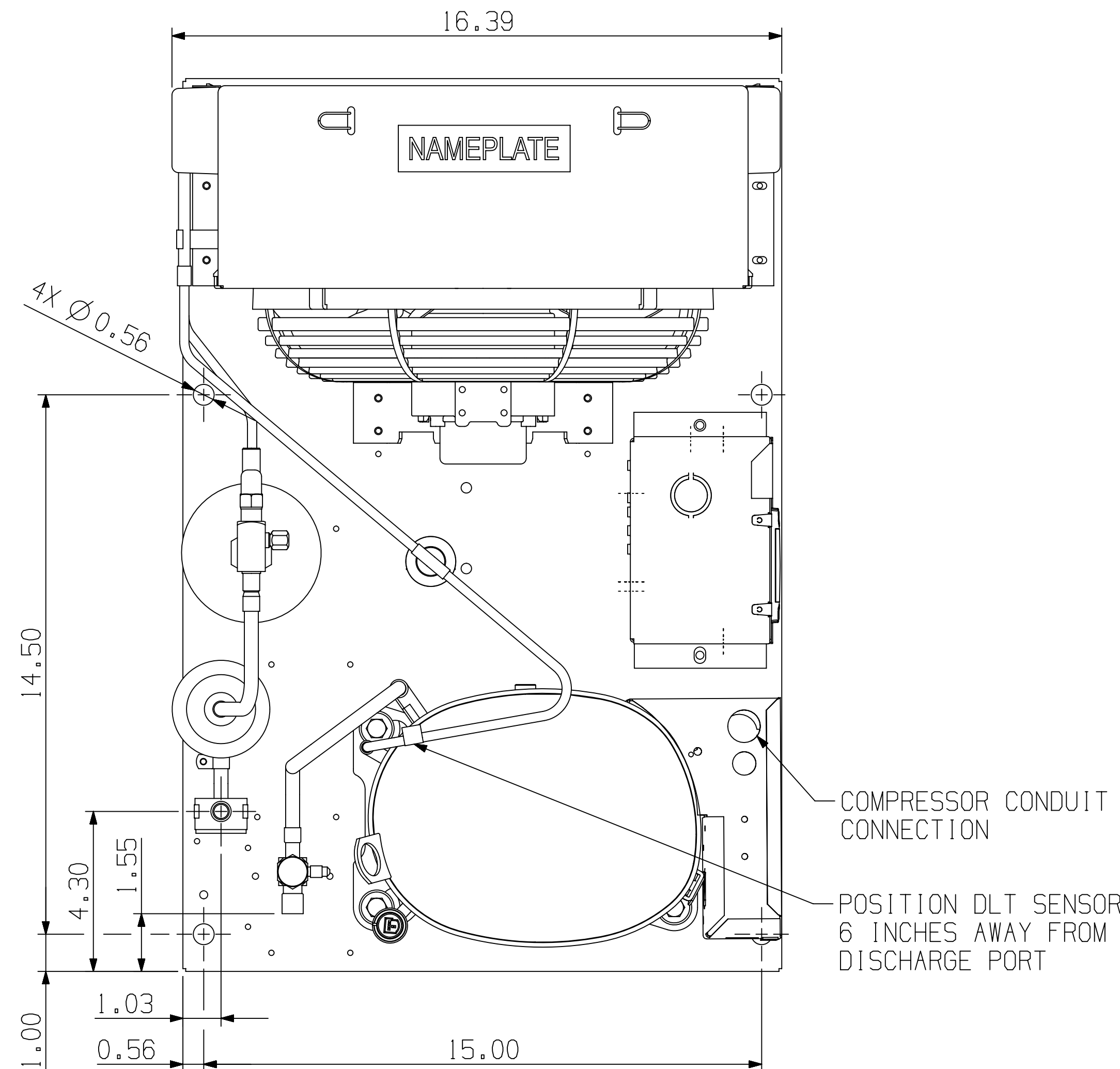
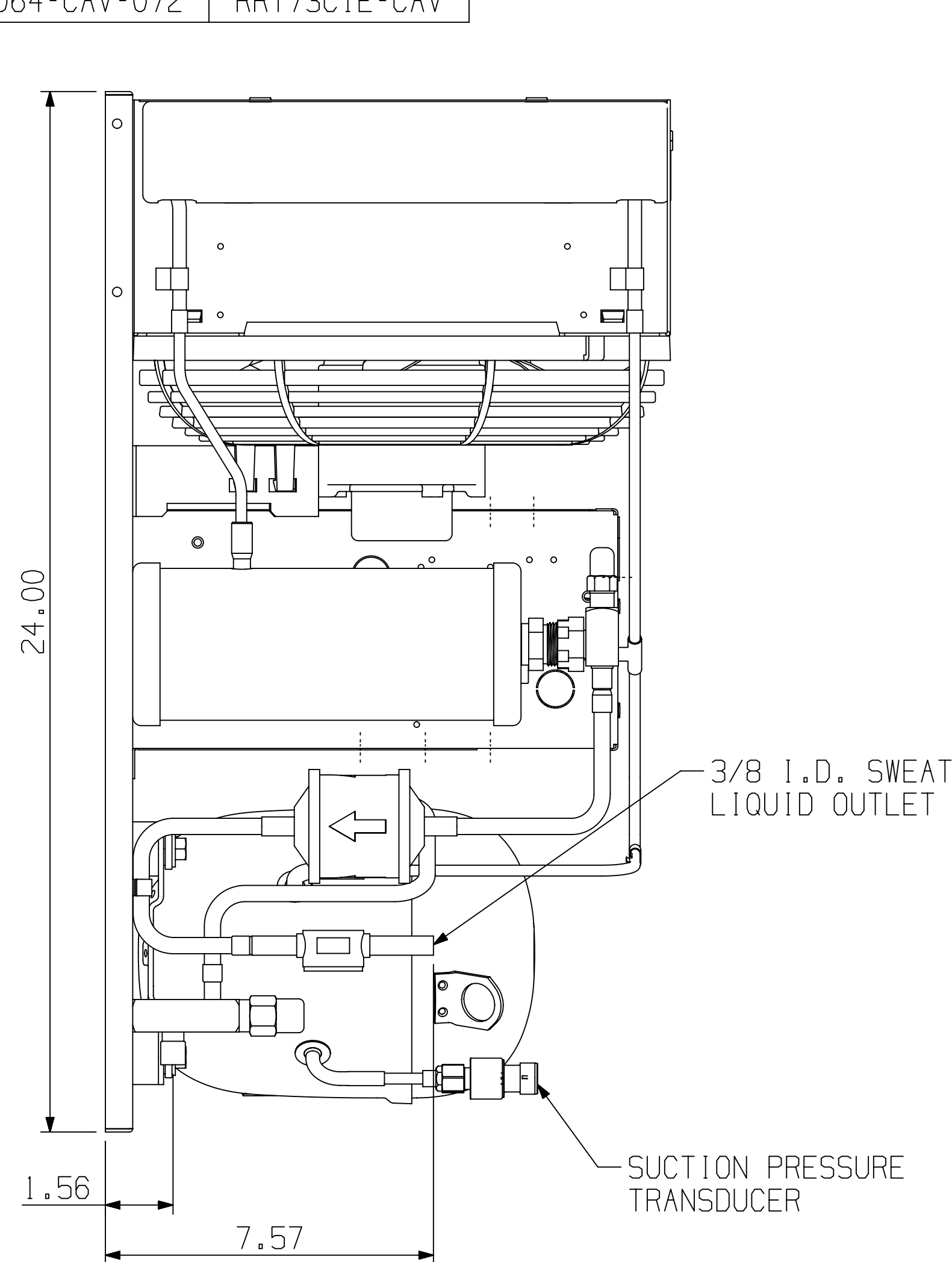


| UNIT MODEL NUMBER | COMPRESSOR MODEL NUMBER |
|-------------------|-------------------------|
| M6KP-0064-CAV-072 | RST45C1E-CAV |
| M6KP-0075-CAV-072 | RST55C1E-CAV |
| M7KH-0060-CAA-072 | RRT64C1E-CAA |
| M7KH-0060-CAV-072 | RRT64C1E-CAV |
| M7KH-0064-CAV-072 | RRT73C1E-CAV |

NOTES:

- UNIT PUMPDOWN CAPACITY AT 90%
R-12 5.3 LBS
R-22 4.8 LBS
R-134a 4.9 LBS
R-404A 4.2 LBS
R-407A 4.6 LBS
R-407C 4.6 LBS
R-502 4.9 LBS
R-507 4.2 LBS
R-448A 4.4 LBS
R-449A 4.4 LBS
R-450A 4.7 LBS
R-513A 4.6 LBS

- ALL OPENINGS MUST BE CAPPED OR PLUGGED.



| | | | | | |
|----------------------|---|--------------------------------------|---|-------------------------------|--|
| | INTERPRET PER ASME Y14.5M-1994 AND EMERSON CLIMATE TECHNOLOGIES, INC. DESIGN STANDARDS DS2002 | | DO NOT SCALE DRAWING | | |
| | CRITICAL PRODUCT CHARACTERISTICS | | UNLESS OTHERWISE SPECIFIED DIMENSIONS ARE INCH OR (MILLIMETER) TOLERANCES: 2-PLACE ± 3-PLACE ± ANGULAR ± | | |
| | | TITLE REF. DWG. - WELD UNIT ASSM. | | DRAWING NUMBER 496-7145-05 | |
| ECN201133 0 RELEASED | | REVISIONS DATE BY CHKD APPR | | SHEET 1 OF 1 DWG SIZE 4 | |