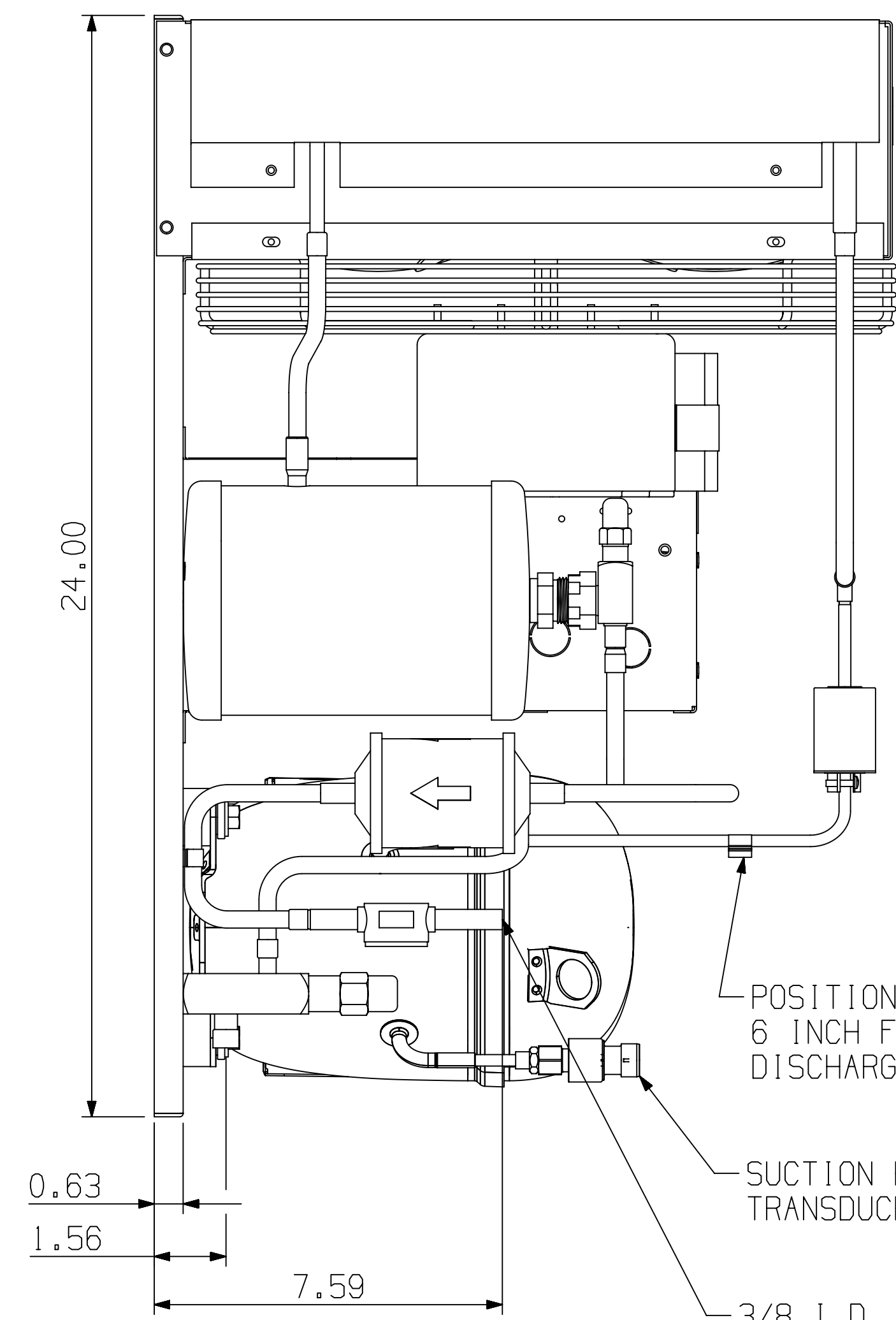


UNIT MODEL NUMBER	COMPRESSOR MODEL NUMBER
M6KP-0102-CAV-072	RST64C1E-CAV
M6KP-0102-CAZ-372	RST64C1E-CAZ

NOTES:

- UNIT PUMPDOWN CAPACITY AT 90%

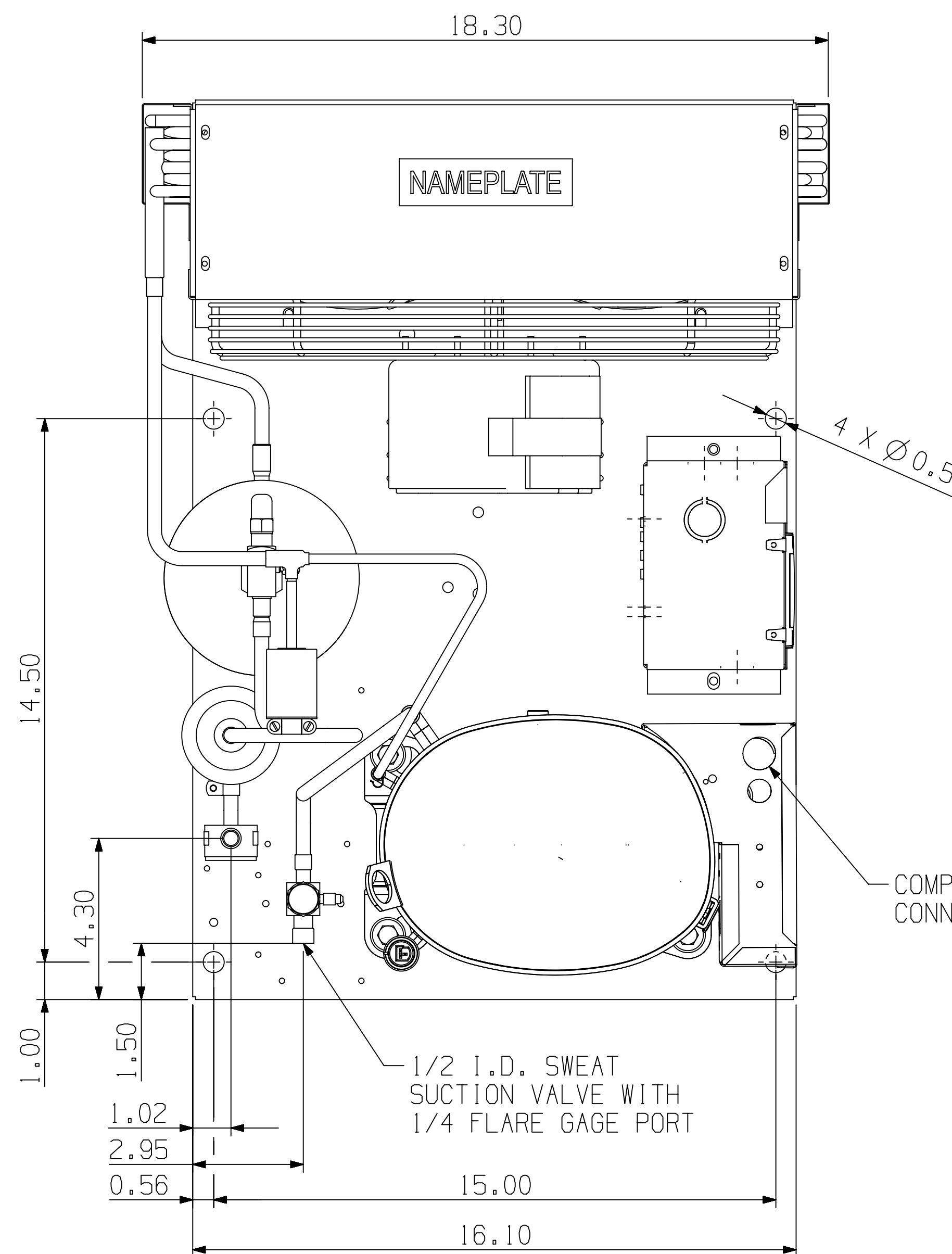
R-12	9.4 LBS
R-22	8.5 LBS
R-134a	8.6 LBS
R-404A	7.3 LBS
R-407A	8.1 LBS
R-407C	8.0 LBS
R-502	8.6 LBS
R-507	7.4 LBS
R-448A	7.8 LBS
R-449A	7.8 LBS
R-450A	8.3 LBS
R-513A	8.1 LBS
- ALL OPENINGS MUST BE CAPPED OR PLUGGED.



POSITION DLT SENSOR
6 INCH FROM
DISCHARGE PORT

SUCTION PRESSURE
TRANSDUCER

3/8 I.D. SWEAT
LIQUID OUTLET



4 X Ø0.56

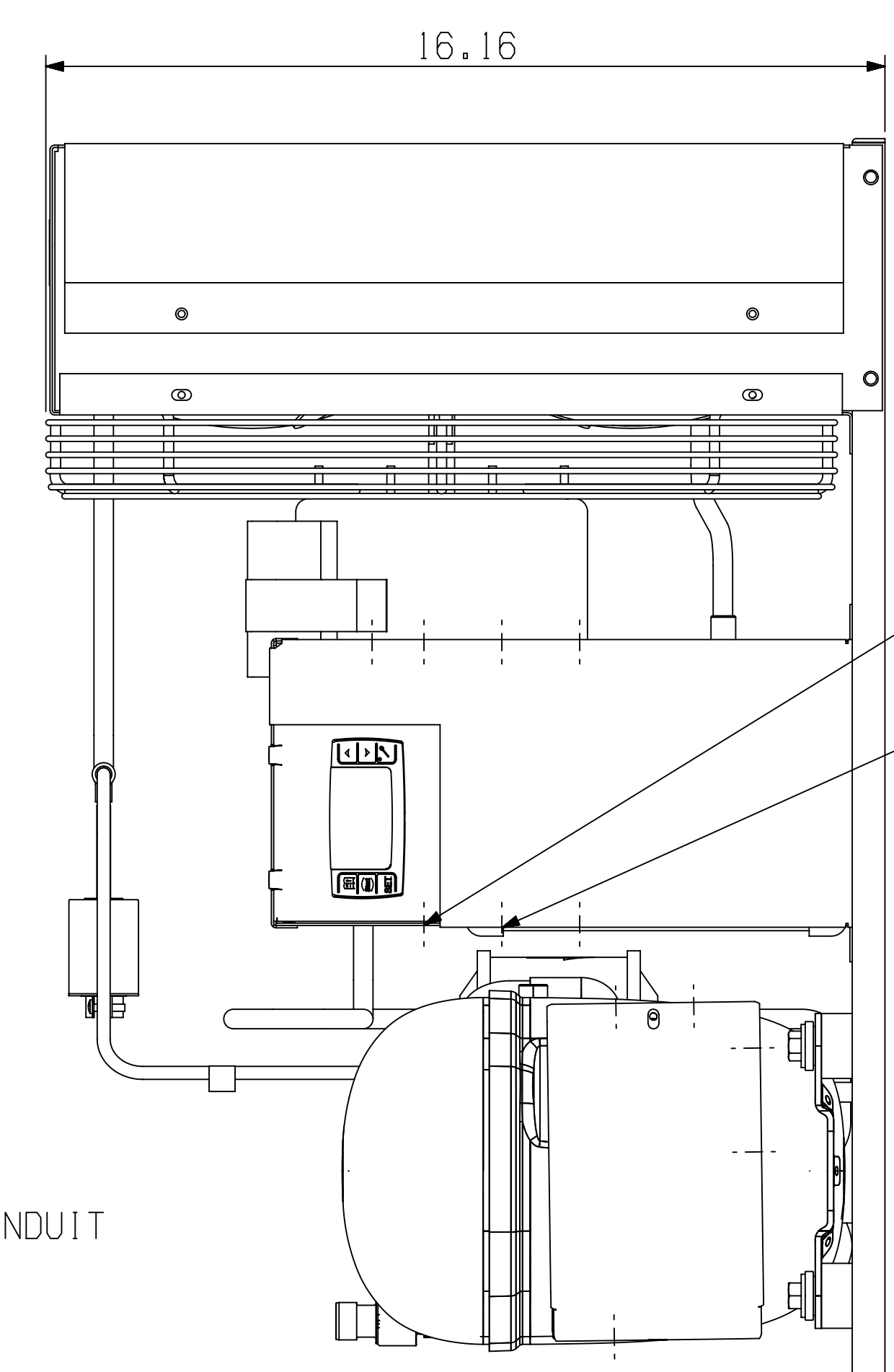
COMPRESSOR CONDUIT
CONNECTION

NAMEPLATE

1/2 I.D. SWEAT
SUCTION VALVE WITH
1/4 FLARE GAGE PORT

15.00

16.10



FIXED HP CONDUIT
CONNECTION

FAN MOTOR CONDUIT
CONNECTION

 	INTERPRET PER ASME Y14.5M-1994 AND EMERSON CLIMATE TECHNOLOGIES, INC. DESIGN STANDARDS DS2002 DO NOT SCALE DRAWING CRITICAL PRODUCT CHARACTERISTICS THIRD ANGLE PROJECTION UNLESS OTHERWISE SPECIFIED DIMENSIONS ARE INCH OR (MILLIMETER) TOLERANCES: 2-PLACE ± 3-PLACE ± ANGULAR ±	ECN200820 ENG NOTICE NO.	0 REV.NO.	RELEASED REVISIONS	07-06-16 DATE	MNH BY	TR APPR
	CONFIDENTIALITY NOTICE THIS DRAWING AND INFORMATION CONTAINED HEREIN ARE THE EXCLUSIVE PROPERTY OF EMERSON CLIMATE TECHNOLOGIES, INC. AND SHALL BE RETURNED UPON DEMAND AND SHALL NOT BE REPRODUCED IN WHOLE OR IN PART DISCLOSED TO ANYONE ELSE OR USED, WITHOUT THE WRITTEN CONSENT OF EMERSON CLIMATE TECHNOLOGIES, INC.	MATERIAL SPECIFICATION	DRAWN BY MNH	DATE 07-06-16	SUPERSEDES DWG. NO. / REV. NO. /	SCALE 3:8	DATE FORMAT: MM-DD-YY
TITLE REF. DWG. - WELD UNIT ASSM.		DRAWING NUMBER 496-7145-01		SIZE 4			