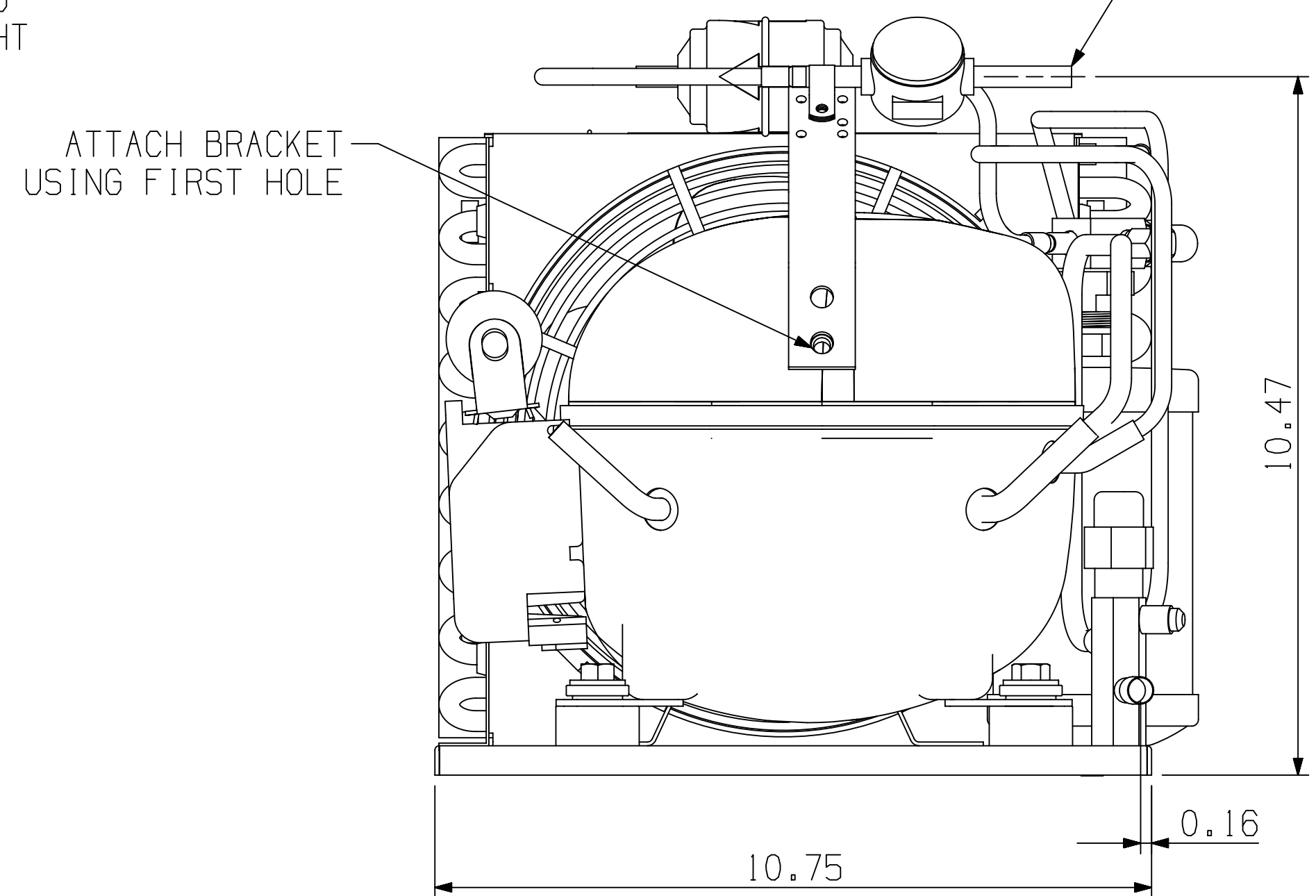
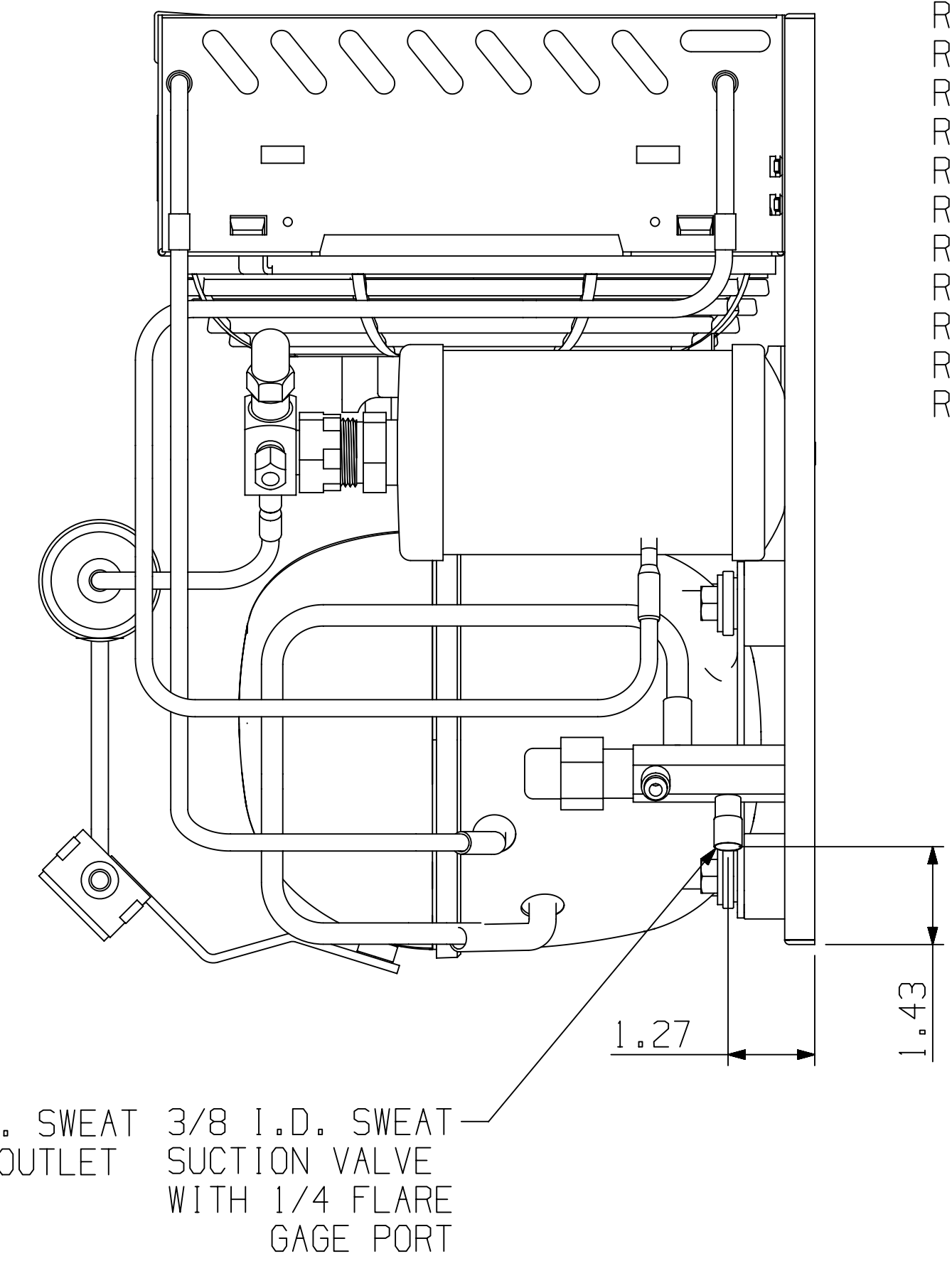
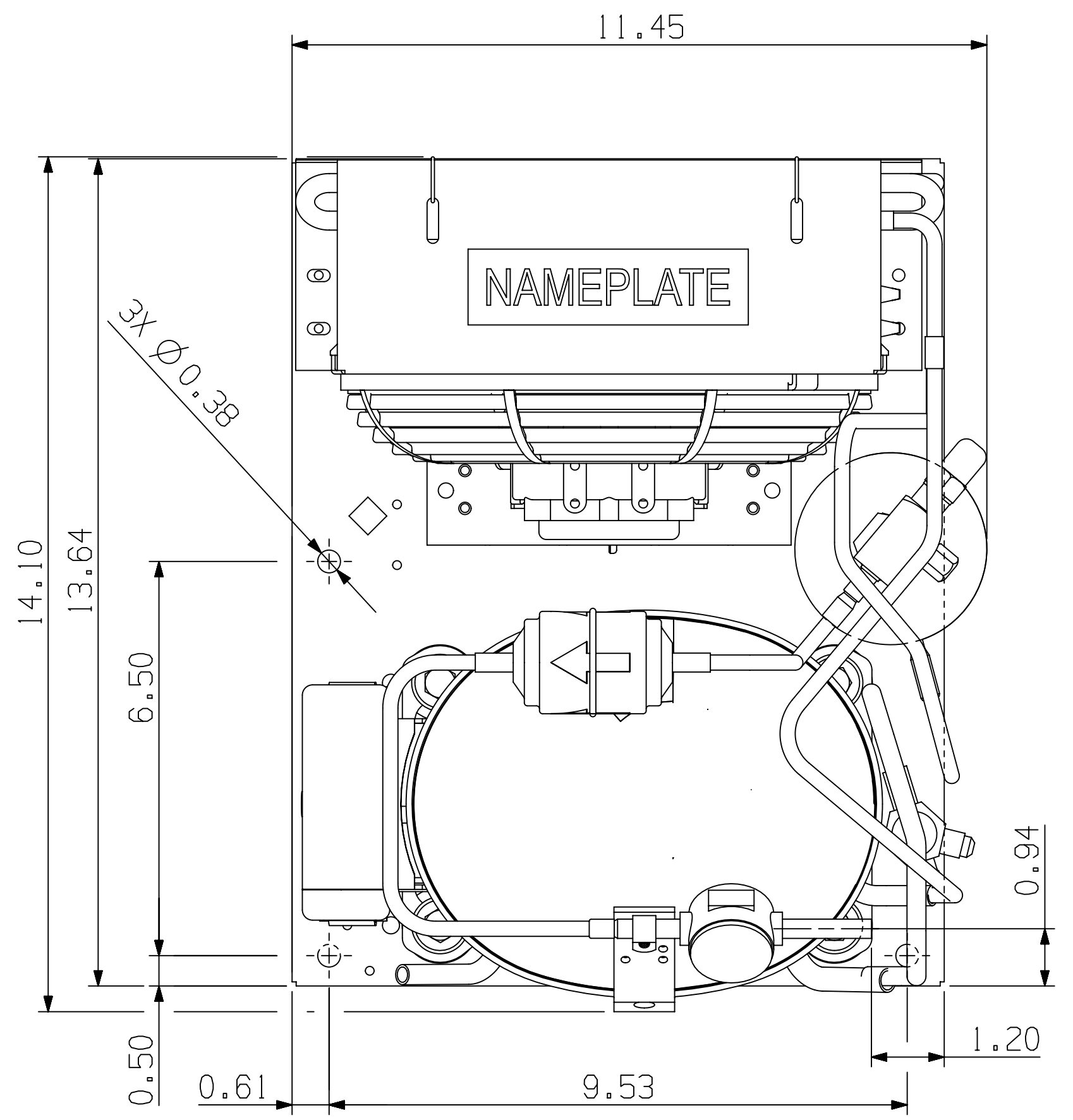
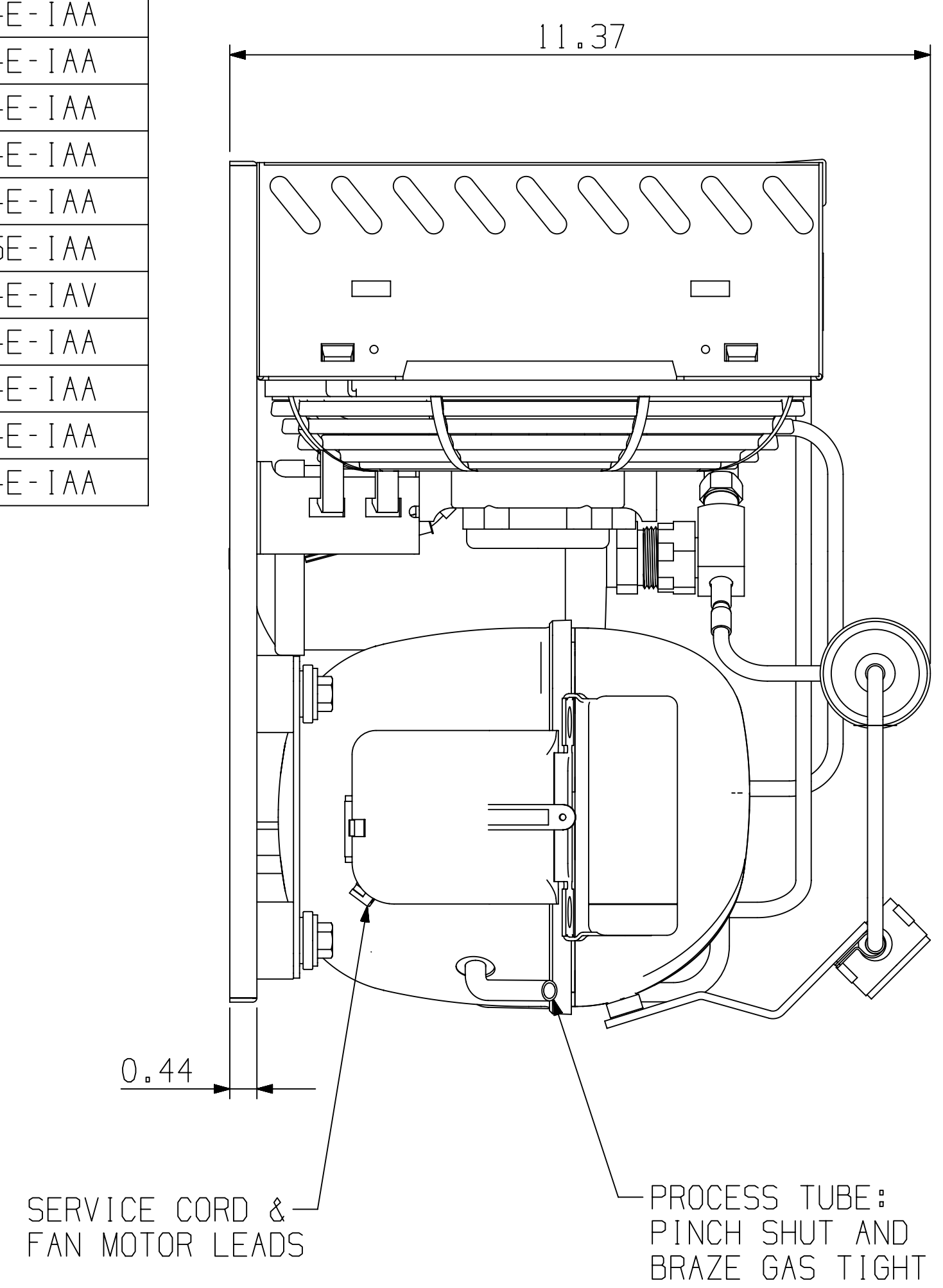


UNIT MODEL NUMBER	COMPRESSOR MODEL NUMBER.
M6JL-0021-1AA-177	AFE08C4E-1AA
M7JH-0012-1AA-177	ARE13C4E-1AA
M7JH-0021-1AA-177	ARE29C4E-1AA
M6JL-0026-1AA-177	AFE11C4E-1AA
M7JH-0014-1AA-177	ARE17C4E-1AA
M6JM-0017-1AA-177	ASE12C4E-1AA
M7JH-0026-1AA-177	ARE35C5E-1AA
M6JL-0039-1AV-177	AFE17C4E-1AV
M7JL-0034-1AA-177	AFE12C4E-1AA
M7JH-0018-1AA-177	ARE25C4E-1AA
M6JL-0039-1AA-177	AFE17C4E-1AA
M7JM-0019-1AA-177	AFE05C4E-1AA

NOTES:

- ALL OPENINGS MUST BE CAPPED OR PLUGGED.
- UNIT PUMPDOWN CAPACITY AT 90%

R-12	2.2 LBS
R-22	2.0 LBS
R-134a	2.0 LBS
R-404A	1.7 LBS
R-407A	1.9 LBS
R-407C	1.9 LBS
R-502	2.0 LBS
R-507	1.7 LBS
R-448A	1.8 LBS
R-449A	1.8 LBS
R-450A	2.0 LBS
R-513A	1.9 LBS



INTERPRET PER ASME Y14.5M-1994 AND EMERSON CLIMATE TECHNOLOGIES, INC. DESIGN STANDARDS DS2002
 DO NOT SCALE DRAWING
 CRITICAL PRODUCT CHARACTERISTICS
 THIRD ANGLE PROJECTION
 UNLESS OTHERWISE SPECIFIED DIMENSIONS ARE INCH OR (MILLIMETER)
 TOLERANCES:
 2-PLACE ±
 3-PLACE ±
 ANGULAR ±

ECN300821	0	RELEASED	12-30-16	NRC	TR	
ENG NOTICE NO.	REV.NO.	REVISIONS	DATE	BY	CHKD	APPR
CONFIDENTIALITY NOTICE						
THIS DRAWING AND INFORMATION CONTAINED HEREIN ARE THE EXCLUSIVE PROPERTY OF EMERSON CLIMATE TECHNOLOGIES, INC. AND SHALL BE RETURNED UPON DEMAND AND SHALL NOT BE REPRODUCED IN WHOLE OR IN PART DISCLOSED TO ANYONE ELSE OR USED, WITHOUT THE WRITTEN CONSENT OF EMERSON CLIMATE TECHNOLOGIES, INC.						
MATERIAL SPECIFICATION		DRAWN BY NRC	SUPERSEDES DWG. NO. / REV. NO.		/	
		DATE 12-30-16	SCALE 1:2	DATE FORMAT: MM-DD-YY		
TITLE REF DWG-WELD UNIT ASSM			DRAWING NUMBER 496-7140-28	SHEET 1 OF 1		DWG 4 SIZE