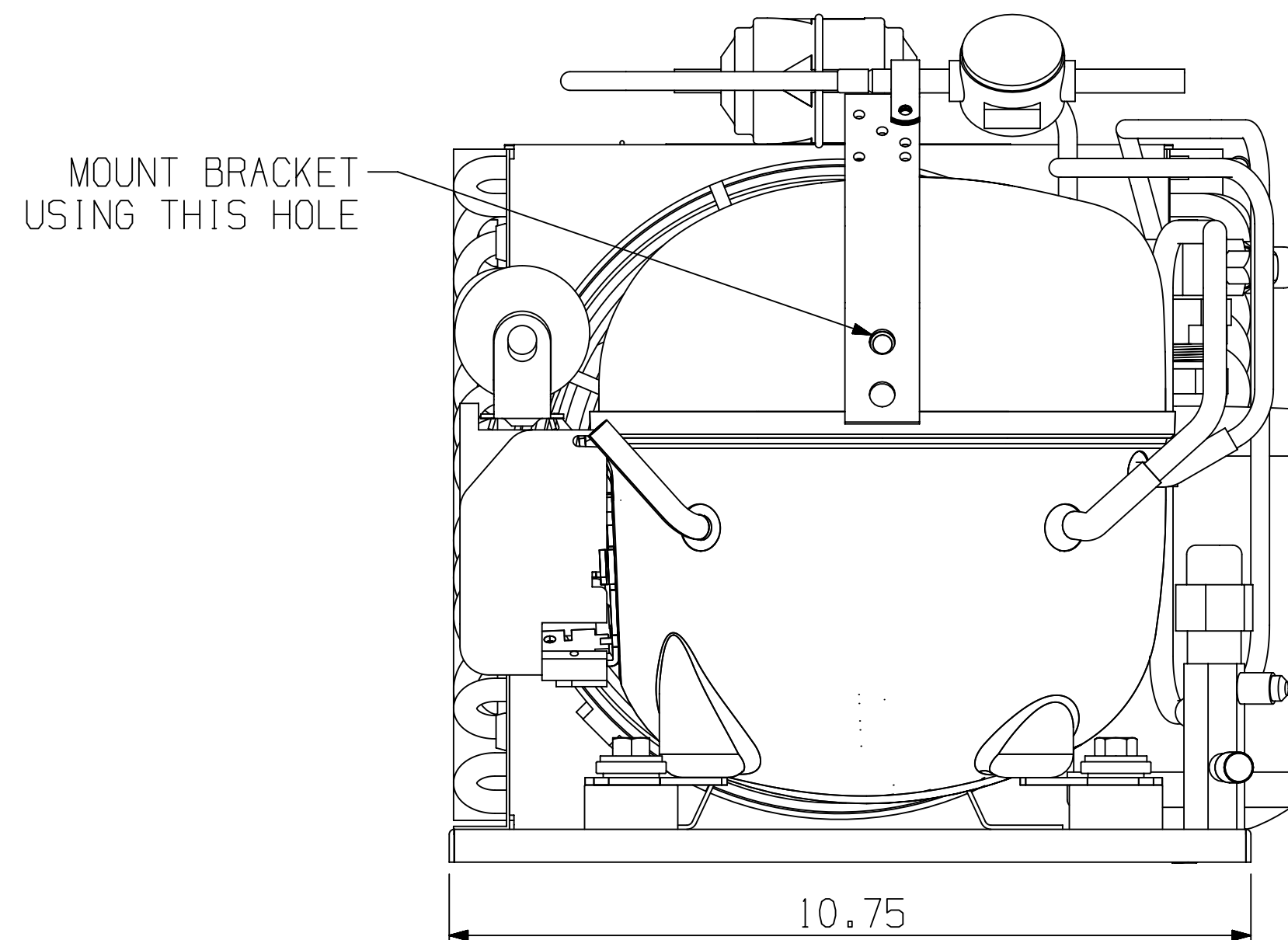
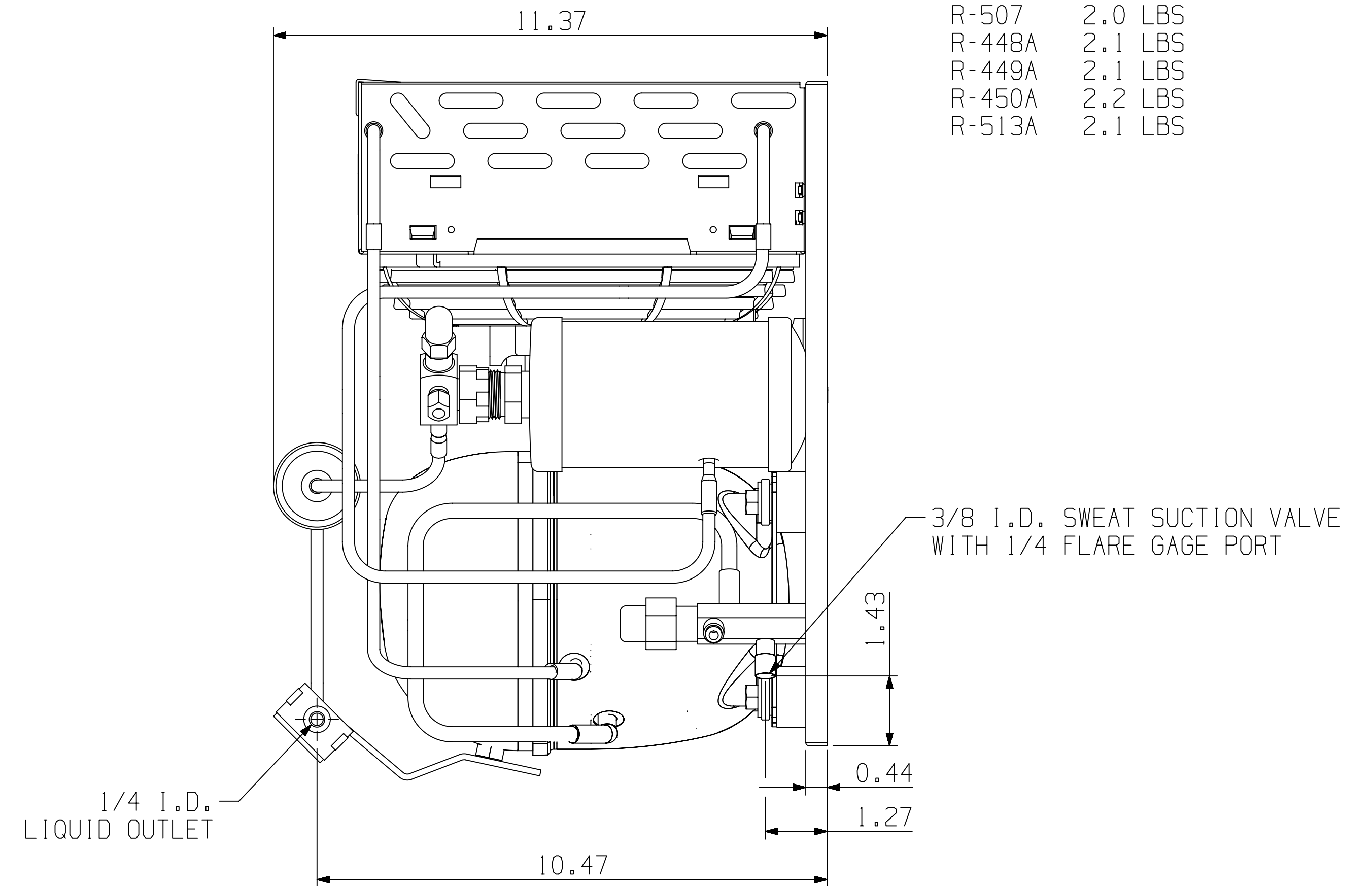
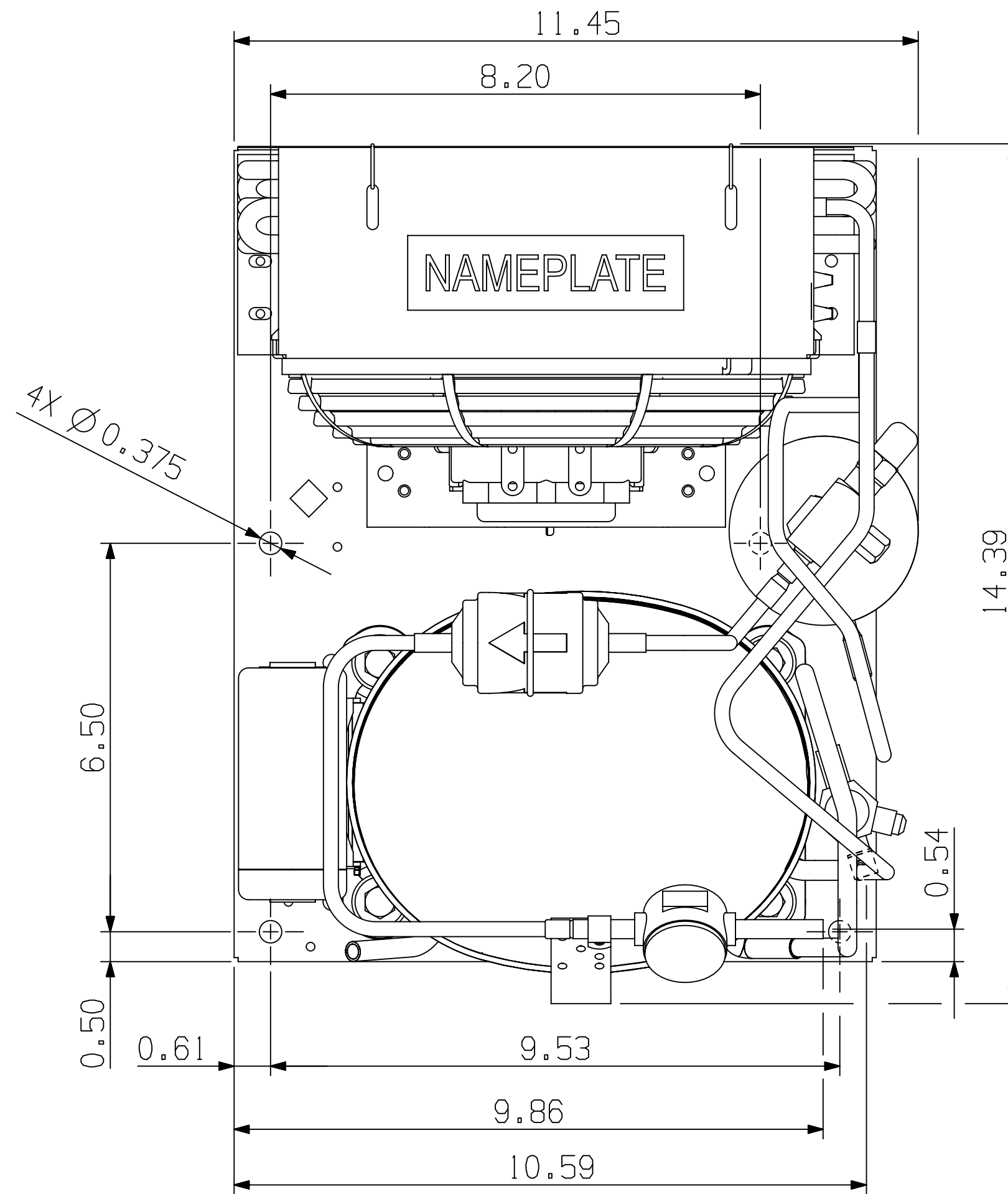
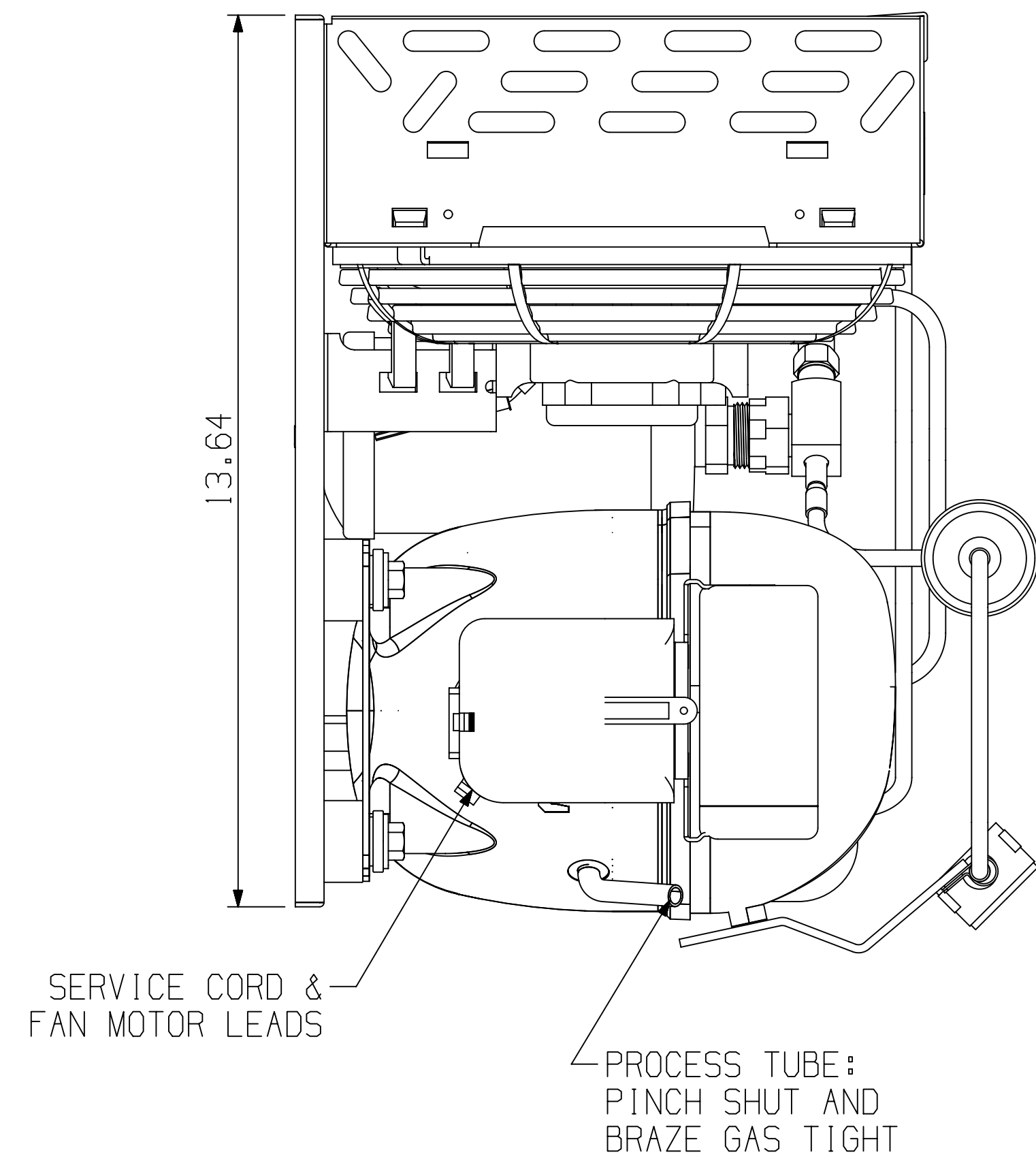


UNIT MODEL NUMBER	COMPRESSOR MODEL NUMBER
M7JH-H038-1AA-177	ARE48C5E-1AA
M7JH-H038-1AV-177	ARE48C5E-1AV
M7JH-H042-1AA-177	ARE54C5E-1AA
M7JH-H042-1AV-177	ARE54C5E-1AV
M6JL-H052-1AA-177	AFE20C5E-1AA
M6JL-H052-1AV-177	AFE20C5E-1AV
M6JM-H043-1AA-177	ASE39C5E-1AA

NOTES:

- ALL OPENINGS MUST BE CAPPED OR PLUGGED.
- UNIT PUMPDOWN CAPACITY AT 90%

R-12	2.5 LBS
R-22	2.3 LBS
R-134a	2.3 LBS
R-404A	2.0 LBS
R-407A	2.2 LBS
R-407C	2.1 LBS
R-502	2.3 LBS
R-507	2.0 LBS
R-448A	2.1 LBS
R-449A	2.1 LBS
R-450A	2.2 LBS
R-513A	2.1 LBS



 EMERSON Climate Technologies	INTERPRET PER ASME Y14.5M-1994 AND EMERSON CLIMATE TECHNOLOGIES, INC. DESIGN STANDARDS DS2002		DO NOT SCALE DRAWING		 THIRD ANGLE PROJECTION
	CRITICAL PRODUCT CHARACTERISTICS				
 Copeland brand products	UNLESS OTHERWISE SPECIFIED DIMENSIONS ARE INCH OR (MILLIMETER)		TOLERANCES:		TITLE REF DWG-WELD UNIT ASSM
	2-PLACE ±		3-PLACE ±		
ECN301192		0 RELEASED		02-10-17 RKS TR	
CONFIDENTIALITY NOTICE					
THIS DRAWING AND INFORMATION CONTAINED HEREIN ARE THE EXCLUSIVE PROPERTY OF EMERSON CLIMATE TECHNOLOGIES, INC. AND SHALL BE RETURNED UPON DEMAND AND SHALL NOT BE REPRODUCED IN WHOLE OR IN PART DISCLOSED TO ANYONE ELSE OR USED, WITHOUT THE WRITTEN CONSENT OF EMERSON CLIMATE TECHNOLOGIES, INC.					
MATERIAL SPECIFICATION		DRAWN BY RKS		SUPERSEDES DWG. NO. / REV. NO. /	
DATE 02-10-17		SCALE 1:2		DATE FORMAT: MM-DD-YY	
DRAWING NUMBER 496-7140-34		SHEET 1 OF 1		DWG SIZE 4	