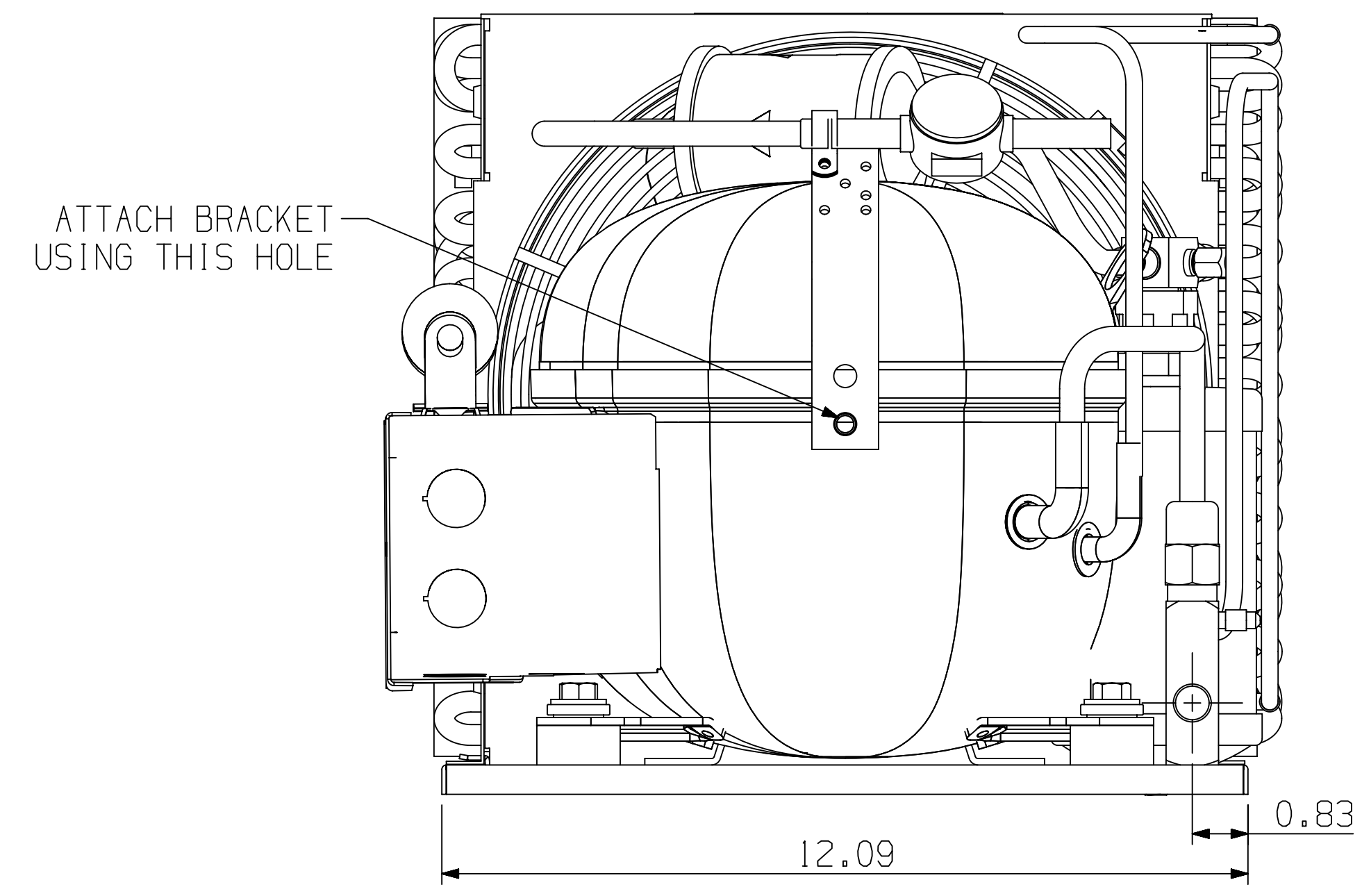
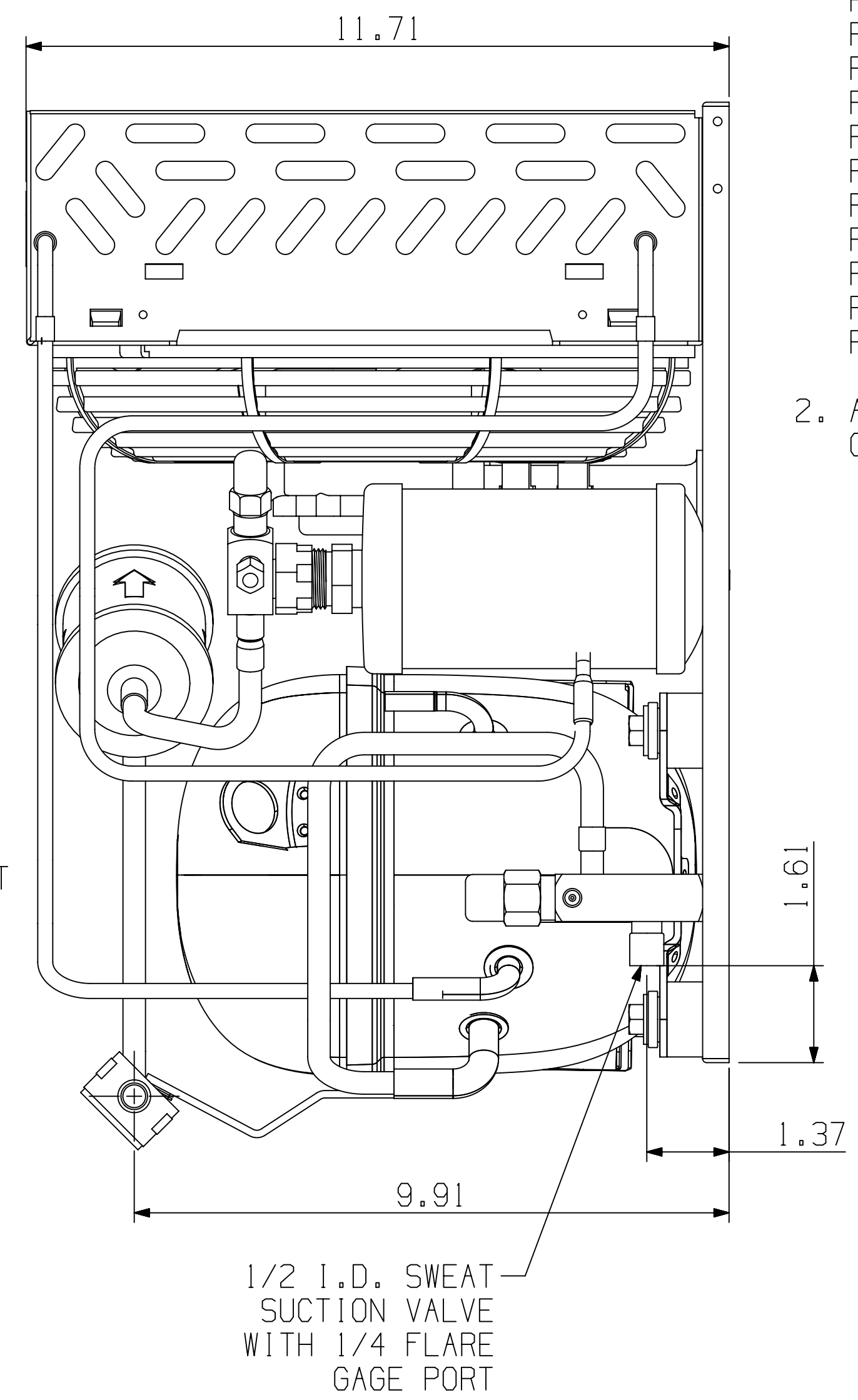
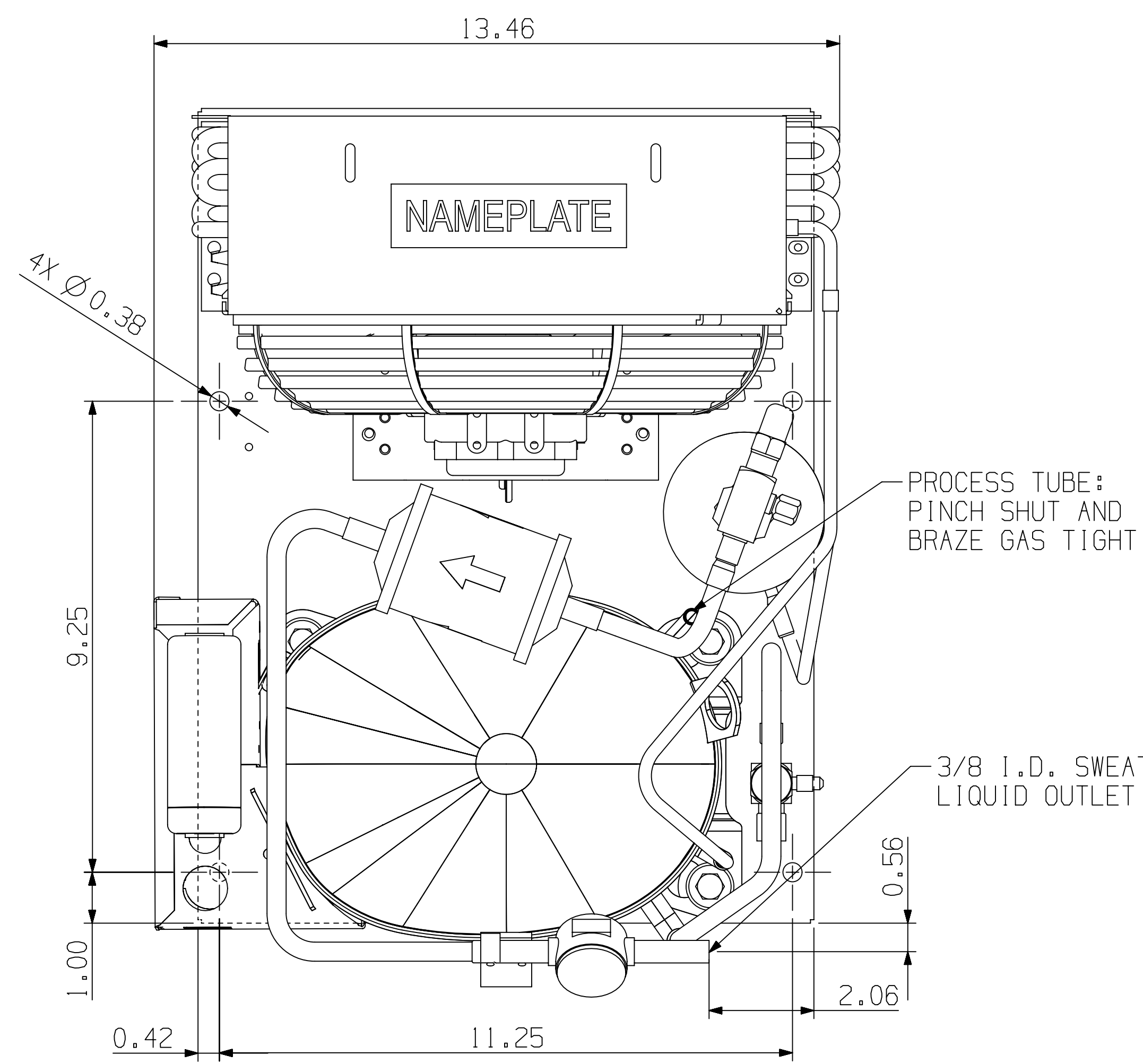
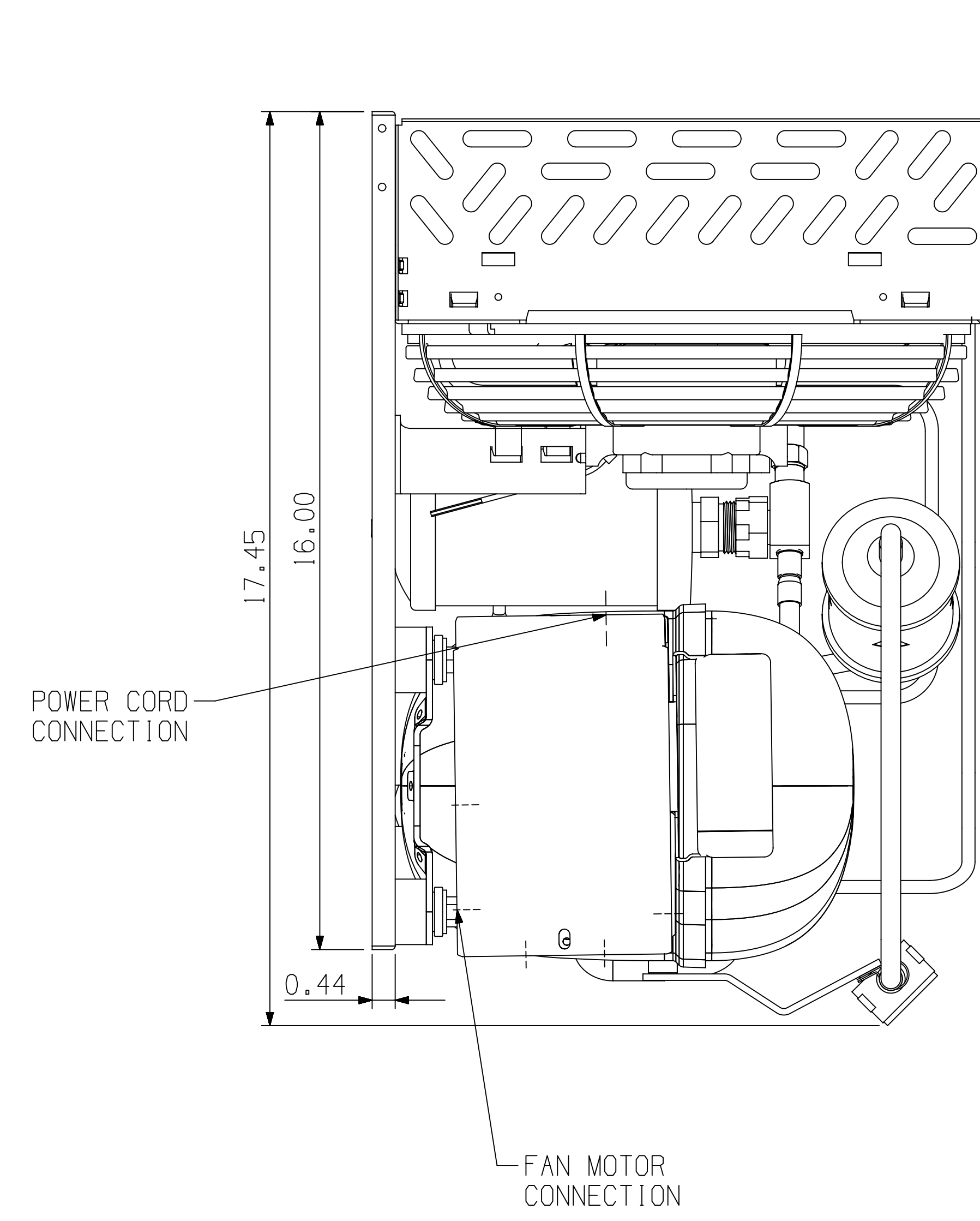


UNIT MODEL NO.	COMPRESSOR MODEL NO.
M7ZH-H046-1AA-177	RRT62C1E-1AA
M7ZH-H046-1AV-177	RRT62C1E-1AV

NOTES:

- UNIT PUMPDOWN CAPACITY AT 90%

R-12	3.3 LBS
R-22	3.0 LBS
R-134a	3.0 LBS
R-404A	2.6 LBS
R-407A	2.9 LBS
R-407C	2.8 LBS
R-502	3.0 LBS
R-507	2.6 LBS
R-448A	2.8 LBS
R-449A	2.8 LBS
R-450A	2.9 LBS
R-513A	2.8 LBS
- ALL OPENINGS MUST BE CAPPED OR PLUGGED.



INTERPRET PER ASME Y14.5M-1994 AND EMERSON CLIMATE TECHNOLOGIES, INC. DESIGN STANDARDS DS2002

DO NOT SCALE DRAWING

THIRD ANGLE PROJECTION

CRITICAL PRODUCT CHARACTERISTICS

UNLESS OTHERWISE SPECIFIED DIMENSIONS ARE INCH OR (MILLIMETER)

TOLERANCES:
 2-PLACE ±
 3-PLACE ±
 ANGULAR ±

ECN301303	0	RELEASED	02-16-17	PLT	TR	
ENG NOTICE NO.	REV.NO.	REVISIONS	DATE	BY	CHKD	APPR
CONFIDENTIALITY NOTICE						
THIS DRAWING AND INFORMATION CONTAINED HEREIN ARE THE EXCLUSIVE PROPERTY OF EMERSON CLIMATE TECHNOLOGIES, INC. AND SHALL BE RETURNED UPON DEMAND AND SHALL NOT BE REPRODUCED IN WHOLE OR IN PART DISCLOSED TO ANYONE ELSE OR USED, WITHOUT THE WRITTEN CONSENT OF EMERSON CLIMATE TECHNOLOGIES, INC.						
MATERIAL SPECIFICATION		DRAWN BY	SUPERSEDES DWG. NO. / REV. NO.			
		PLT	/			
		DATE	SCALE	DATE FORMAT:		
		02-16-17	1:2	MM-DD-YY		
TITLE		DRAWING NUMBER	SHEET 1 OF 1		DWG	
REF DWG-WELD UNIT ASSM		496-7150-00			4	
					SIZE	