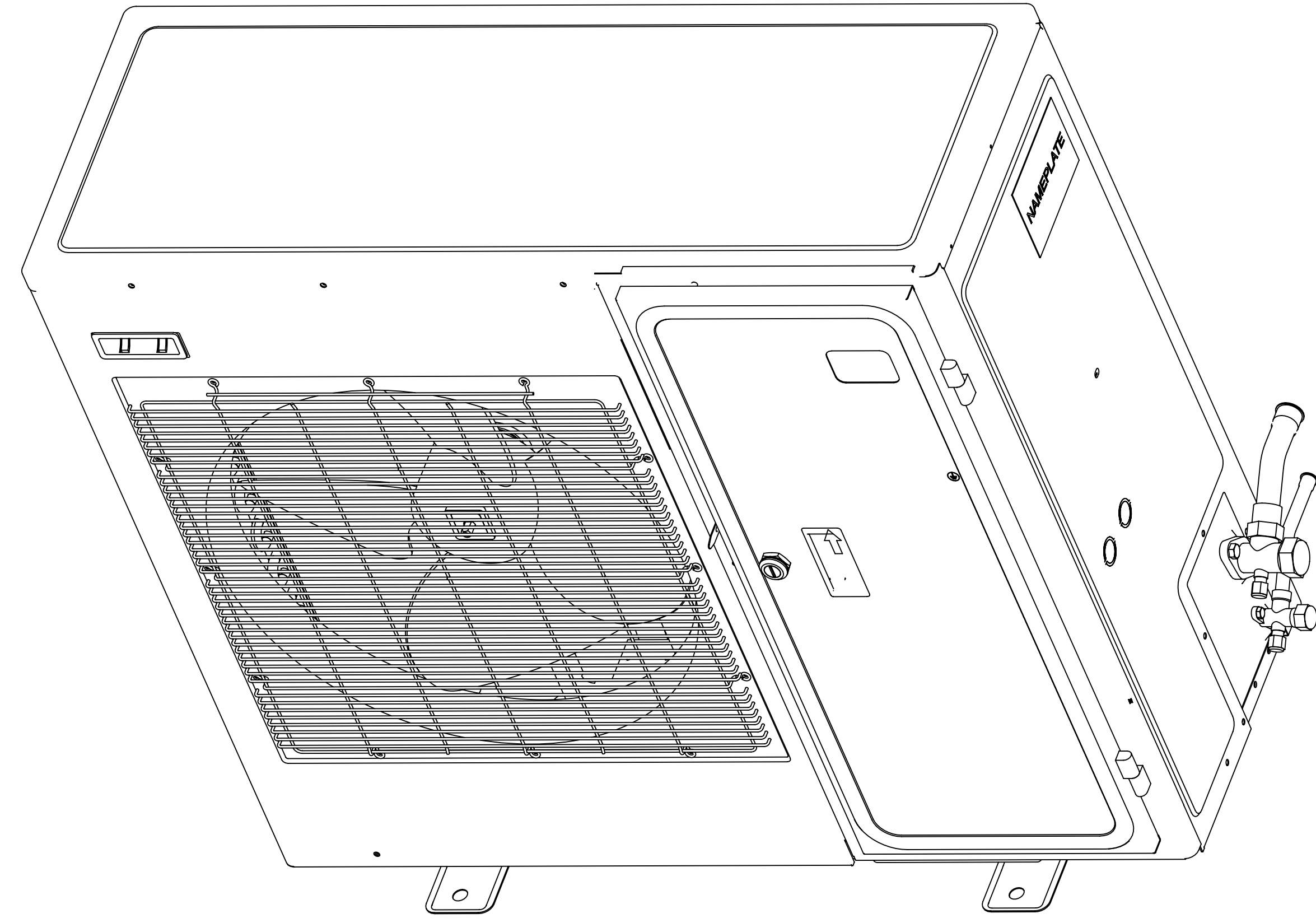
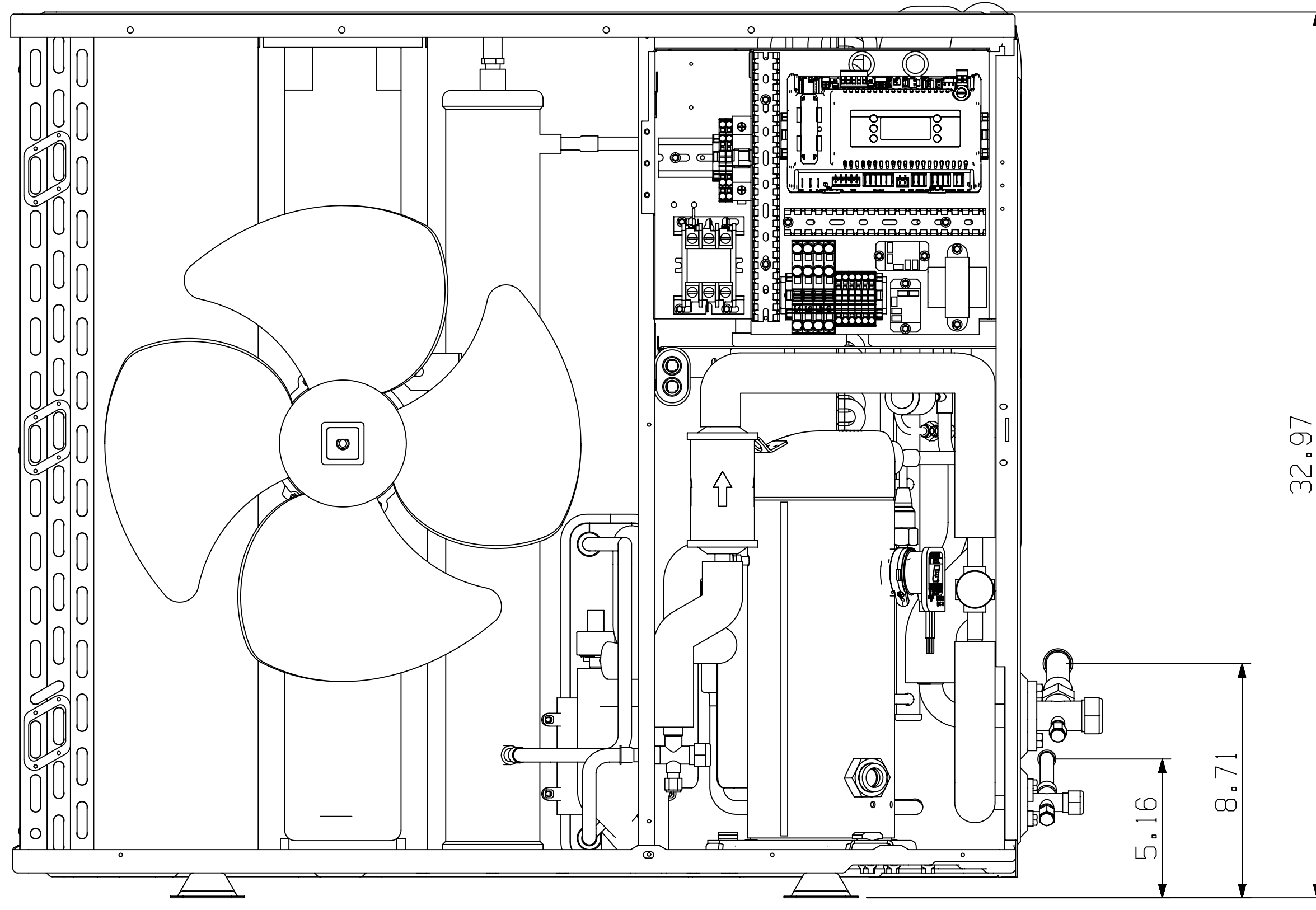
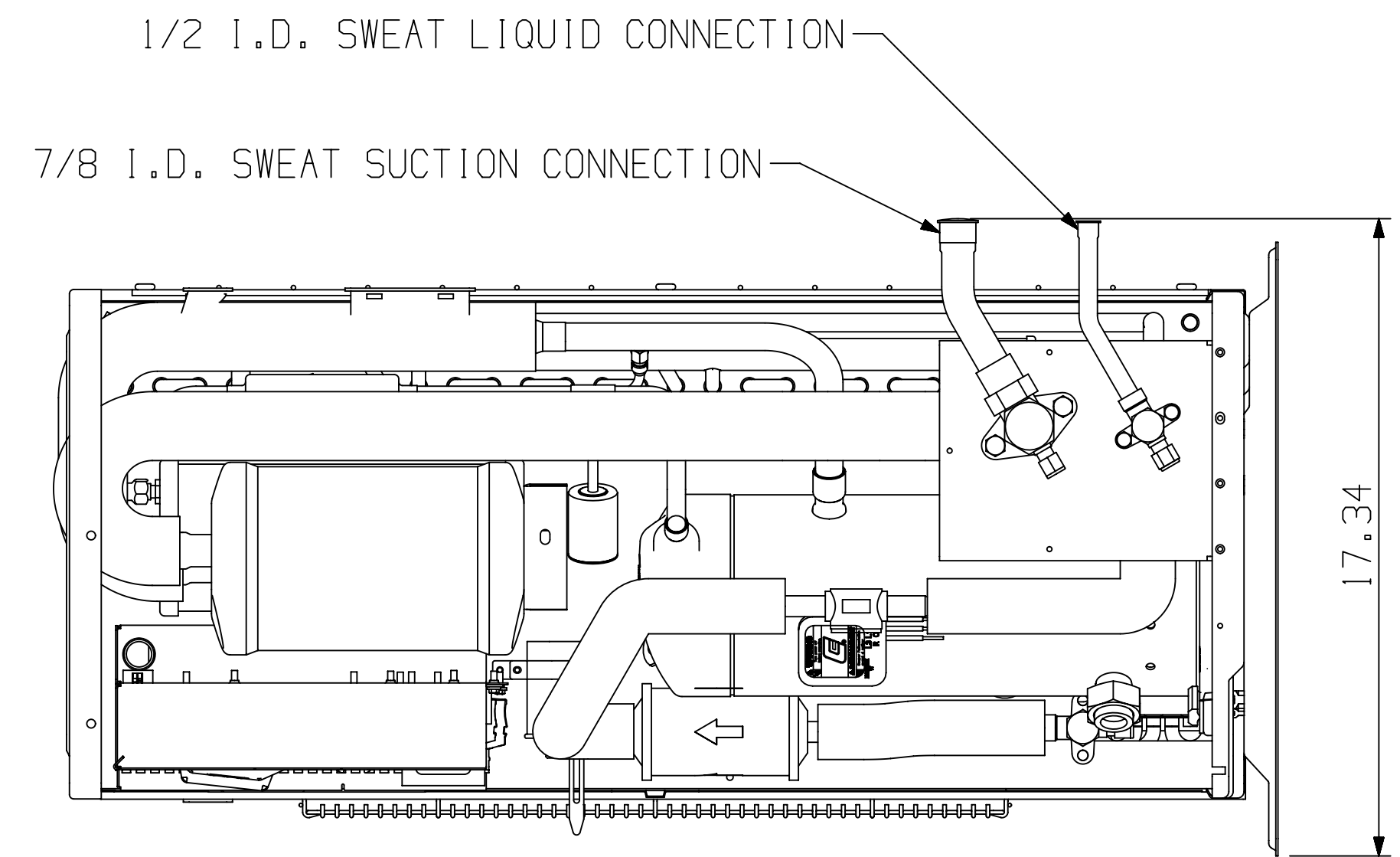
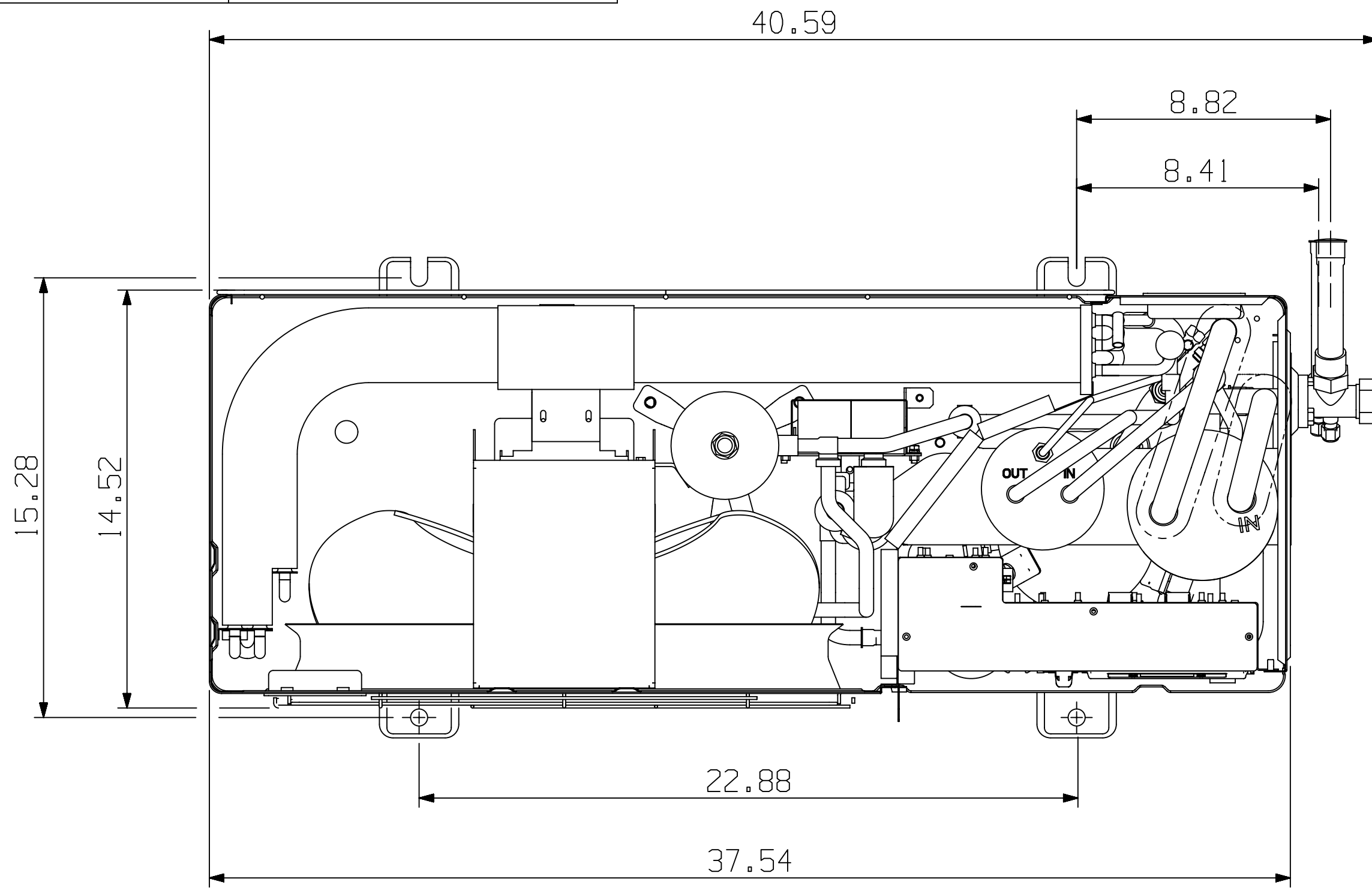


UNIT MODEL NUMBER	COMPRESSOR MODEL NO.
XFAL-030Z-TFC-081	ZX109KCE-TF5

NOTES:

- RECEIVER PUMPDOWN CAPACITY AT 90%
R-12 11.6 LBS
R-22 10.5 LBS
R-134a 10.6 LBS
R-404A 9.1 LBS
R-407A 10.0 LBS
R-407C 9.9 LBS
R-502 10.6 LBS
R-507 9.1 LBS
- ALL OPENINGS MUST BE CAPPED OR PLUGGED.



INTERPRET PER ASME Y14.5M-1994 AND EMERSON CLIMATE TECHNOLOGIES, INC. DESIGN STANDARDS DS2002
DO NOT SCALE DRAWING
THIRD ANGLE PROJECTION
CRITICAL PRODUCT CHARACTERISTICS
UNLESS OTHERWISE SPECIFIED DIMENSIONS ARE INCH OR (MILLIMETER)
TOLERANCES:
2-PLACE ±
3-PLACE ±
ANGULAR ±

ECN100751	0	RELEASED	01-15-15	PHK	TR	
ENG NOTICE NO.	REV.NO.	REVISIONS	DATE	BY	CHKD	APPR
CONFIDENTIALITY NOTICE						
THIS DRAWING AND INFORMATION CONTAINED HEREIN ARE THE EXCLUSIVE PROPERTY OF EMERSON CLIMATE TECHNOLOGIES, INC. AND SHALL BE RETURNED UPON DEMAND AND SHALL NOT BE REPRODUCED IN WHOLE OR IN PART DISCLOSED TO ANYONE ELSE OR USED, WITHOUT THE WRITTEN CONSENT OF EMERSON CLIMATE TECHNOLOGIES, INC.						
MATERIAL SPECIFICATION		DRAWN BY PHK	SUPERSEDES DWG. NO. / REV. NO. /			
		DATE 01-15-15	SCALE 1:4	DATE FORMAT: MM-DD-YY		
TITLE REF. DWG. -WELD UNIT ASSM.		DRAWING NUMBER 496-5734-02	SHEET 1 OF 1		DWG 4	