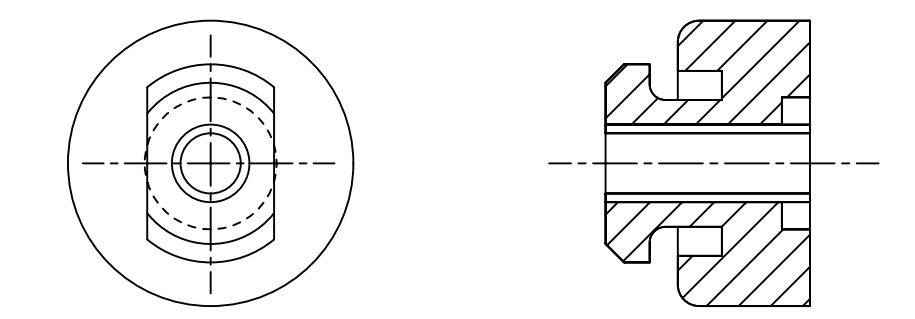


PART NUMBER	MODEL NUMBER	A _{±3.0}	B _{±3.0}	E	F	G	H	J	L _{±3.0}	V _{±3.0}	SHEETS
497-3544-00	ZF13K4* ZF15K4* ZF18K4*	442.0 [17.40]	409.6 [16.13]	79.6 [3.13]	340.9 [13.42]	47.6 [1.87]	25.6 [1.01]	120.2 [4.73]	470.0 [18.50]	OMIT	1,2,3
497-3544-01	ZS30K4* ZS38K4* ZS45K4* ZB28KCB ZB30KC* ZB38KC* ZB42KCE ZB45KC*	437.7 [17.23]	409.6 [16.13]	79.6 [3.13]	OMIT	47.6 [1.87]	OMIT	OMIT	OMIT	OMIT	1,2
497-3544-02	ZB28KCB ZB30KC/KCE ZB38KC/KCE ZB42KCE ZB45KC/KCE	437.7 [17.23]	409.6 [16.13]	79.6 [3.13]	OMIT	47.6 [1.87]	OMIT	OMIT	OMIT	OMIT	1,2
497-3544-04	ZF13KV* ZF18KV*	442.0 [17.40]	409.6 [16.13]	79.6 [3.13]	340.9 [13.42]	47.6 [1.87]	25.6 [1.01]	120.2 [4.73]	470.7 [18.53]	OMIT	1,2,4,5
497-3544-07	ZF13KVE-***-5*1 ZF18KVE-***-5*1	442.0 [17.40]	409.6 [16.13]	79.6 [3.13]	340.9 [13.42]	47.6 [1.87]	26.2 [1.03]	123.1 [4.85]	OMIT	451.4 [17.77]	1,2,4
497-3544-12	ZF13KV*-***-261 ZF18KV*-***-261	442.0 [17.40]	409.6 [16.13]	79.6 [3.13]	340.9 [13.42]	47.6 [1.87]	26.2 [1.03]	123.1 [4.85]	OMIT	451.4 [17.77]	1,2,4
497-3544-13	ZB30KC/KCE-***-523 ZB38KC/KCE-***-523	437.7 [17.23]	409.6 [16.13]	OMIT	OMIT	OMIT	OMIT	OMIT	OMIT	OMIT	1,2

SPECIFICATIONS	
ES NO.	DESCRIPTION
ES92-155	CONVERSION-METRIC

- NOTES:
- ALL TOLERANCES ± 1.50 [0.060] UNLESS OTHERWISE SPECIFIED.
 - DUE TO ACCUMULATED ASSEMBLY TOLERANCES THE LISTED COMPONENTS MAY VARY FROM THE MOUNTING HOLES AS SHOWN BELOW:
 - SUCTION FITTING : ± 3.0 [0.12]
 - DISCHARGE FITTING : ± 3.0 [0.12]
 - TUBE ENDS MUST BE PLUGED.
 - TORQUE T-BLOCK SCREWS TO 2.4-2.6 N-M [21-23 LBS-IN]
 - INJECTION FITTING & THERMOSTAT TUBE OMITTED.
 - FOR MORE INFORMATION SEE PRODUCT CATALOG.
 - FULL HEIGHT OF COMPRESSOR DOES NOT INCLUDE MOUNTING SPACERS.
 - MOUNTING KIT:

GROMMET DUROMETER	4 FOOT KIT
35-45	527-0116-00



COMPRESSOR WIRING DIAGRAM

USE COPPER CONDUCTORS ONLY. USE MINIMUM 75° C WIRE FOR AMPACITY DETERMINATION. INTERNAL MOTOR PROTECTION - ALLOW TIME FOR RESET. OVERCURRENT PROTECTION DEVICE RATING AND TYPE MUST BE IN ACCORDANCE WITH REGULATORY AGENCY END PRODUCT APPROVALS - SEE SYSTEM NAMEPLATE. CRANKCASE HEATER, WHEN APPLIED, MUST BE CONNECTED ONLY TO ITS RATED VOLTAGE. TO CORRECT IMPROPER ROTATION OF THREE PHASE MODELS, SWITCH ANY TWO SUPPLY LINES. REFER TO THE APPLICABLE SYSTEM WIRING DIAGRAM.

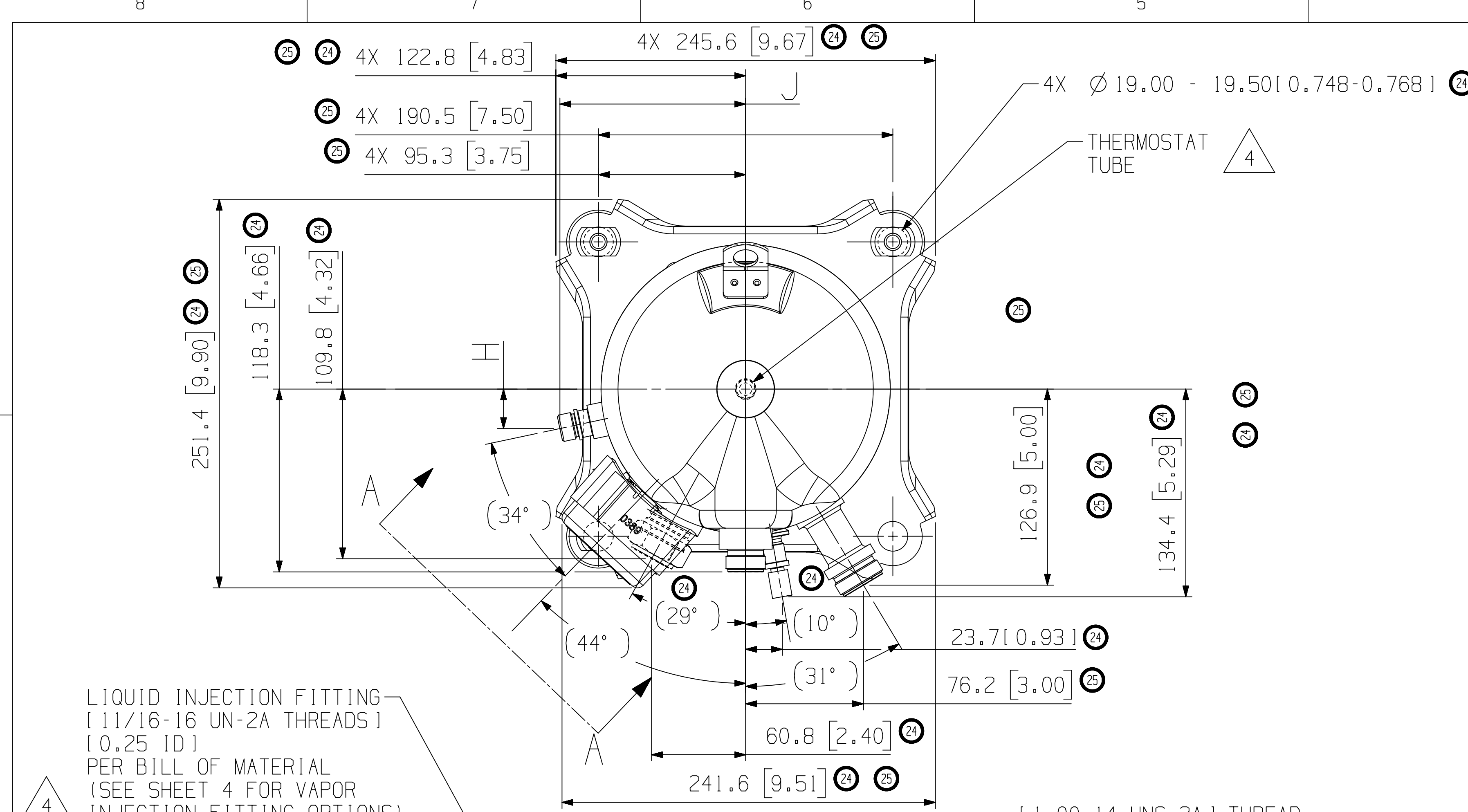
005-1213-00
8-06

- TORQUE 29-34 N-M [250-300 LBS-IN]
- DTC VALVE TO BE INSTALLED BY CUSTOMER

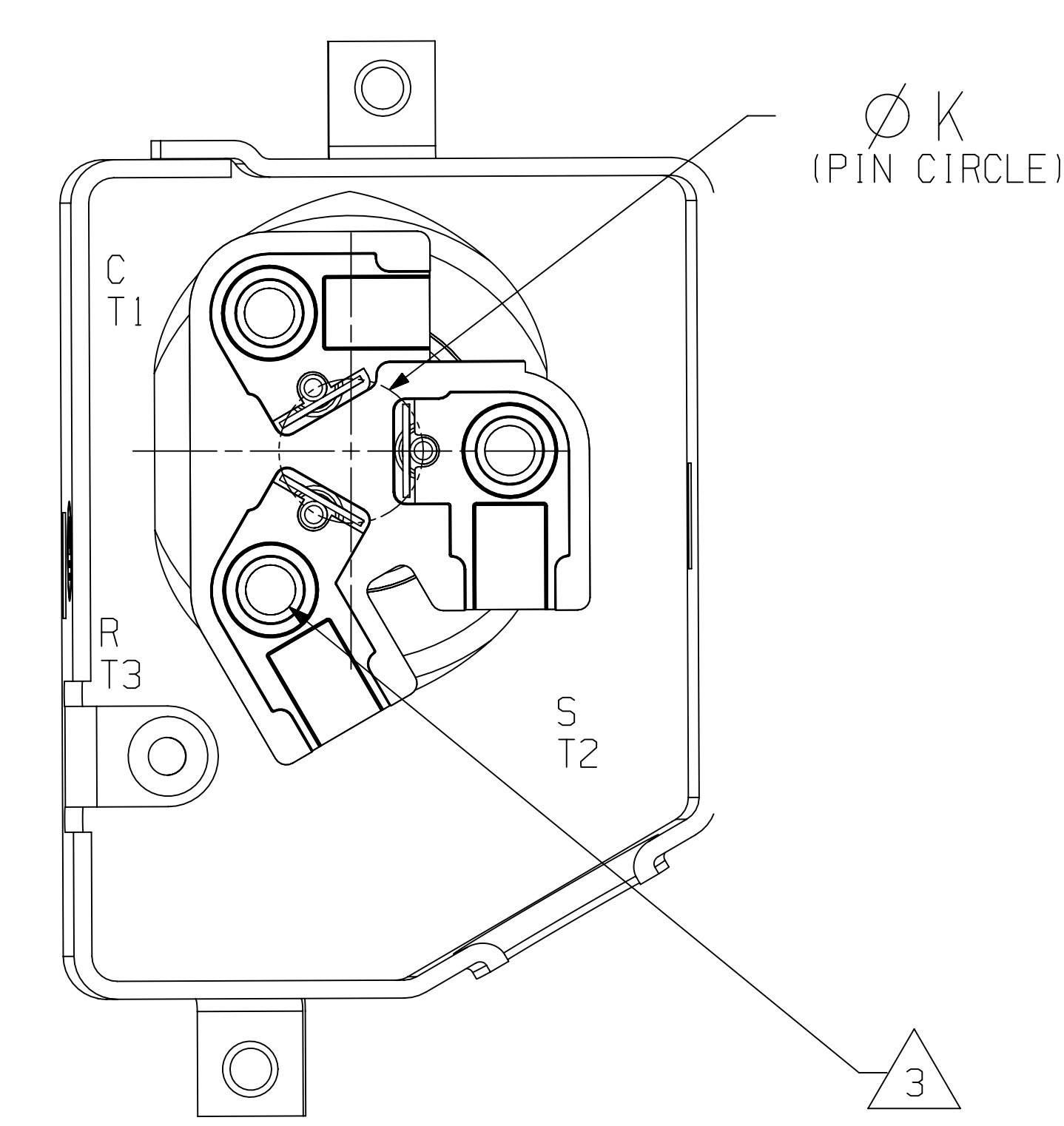
ECN	REV. NO.	REVISIONS	DATE	BY	CHKD	APPR
ECN300410	25	RELEASED -12, -13, OBSOLETE -02	05-25-17	OSP	PR1	BE
ECN100339	24	REDRAWN WITH CHANGES	01-14-16	OSP	JSK	PMM
32-1198-023	0	RELEASED	01-28-99	AJA	DAM	

 	INTERPRET PER ASME Y14.5M-1994 AND EMERSON CLIMATE TECHNOLOGIES, INC. DESIGN STANDARDS DS2002 DO NOT SCALE DRAWING THIRD ANGLE PROJECTION	CONFIDENTIALITY NOTICE THIS DRAWING AND INFORMATION CONTAINED HEREIN ARE THE EXCLUSIVE PROPERTY OF EMERSON CLIMATE TECHNOLOGIES, INC. AND SHALL BE RETURNED UPON DEMAND AND SHALL NOT BE REPRODUCED IN WHOLE OR IN PART DISCLOSED TO ANYONE ELSE OR USED, WITHOUT THE WRITTEN CONSENT OF EMERSON CLIMATE TECHNOLOGIES, INC.	
	CRITICAL PRODUCT CHARACTERISTICS UNLESS OTHERWISE SPECIFIED DIMENSIONS ARE MILLIMETER OR (INCH) TOLERANCES: 1-PLACE ± 2-PLACE ± ANGULAR ± 0.5°	MATERIAL SPECIFICATION N/A	DRAWN BY OSP DATE 01-14-16
TITLE REF DWG-WELD COMP ASSM		DRAWING NUMBER 497-3544-00	SHEET 1 OF 5 4 SIZE

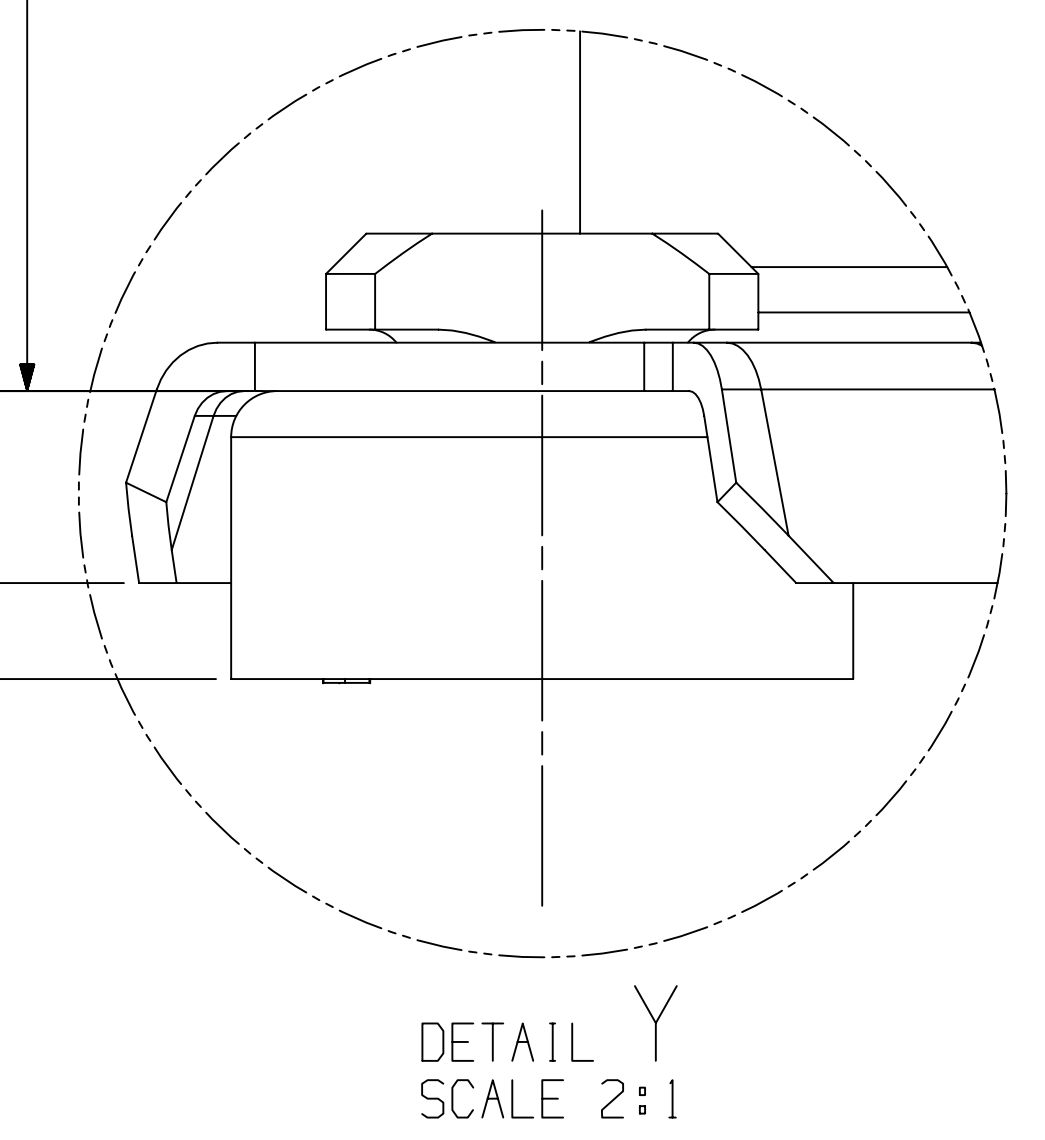
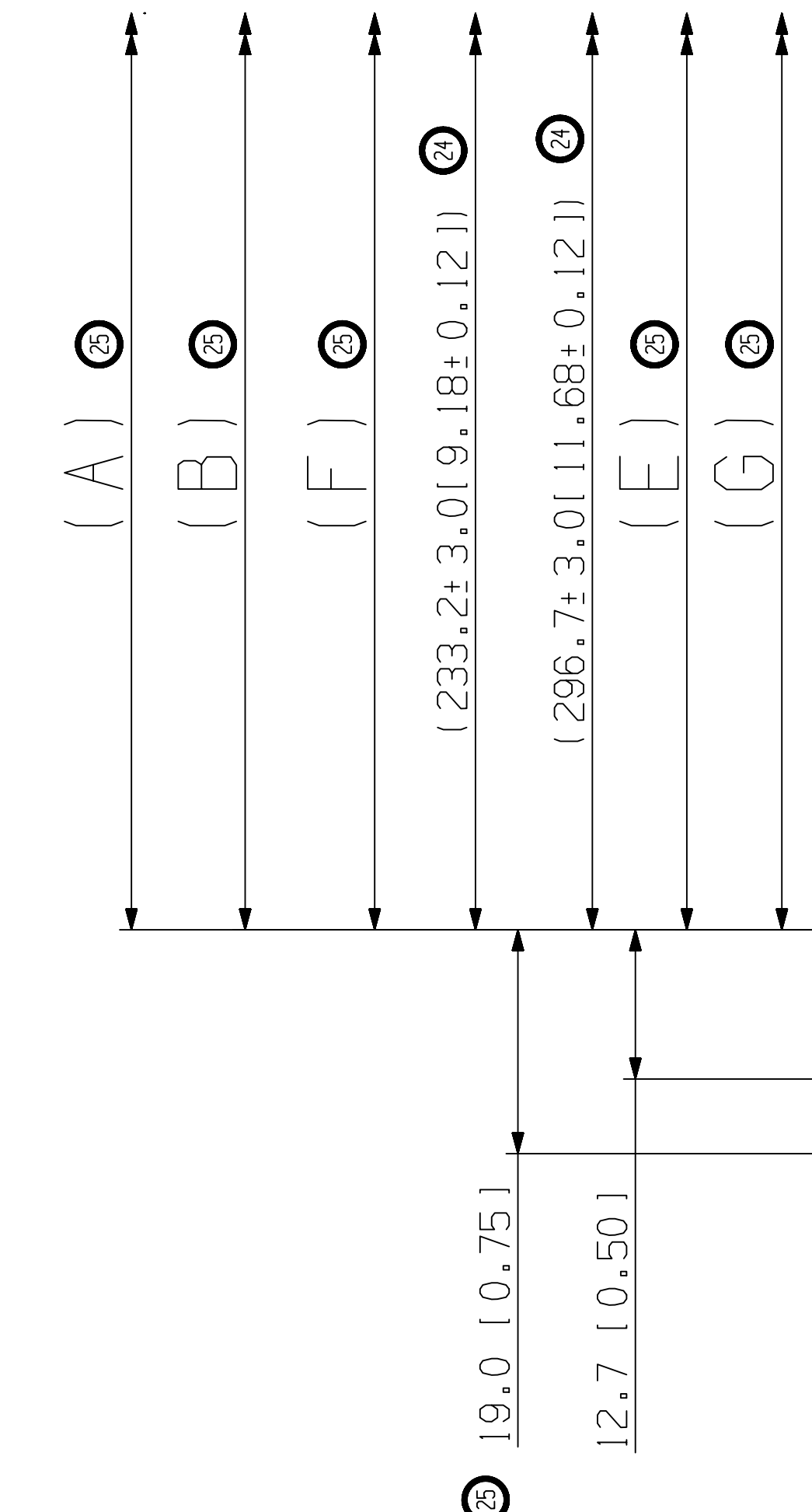
© COPYRIGHT EMERSON CLIMATE TECHNOLOGIES, INC. - CONFIDENTIAL



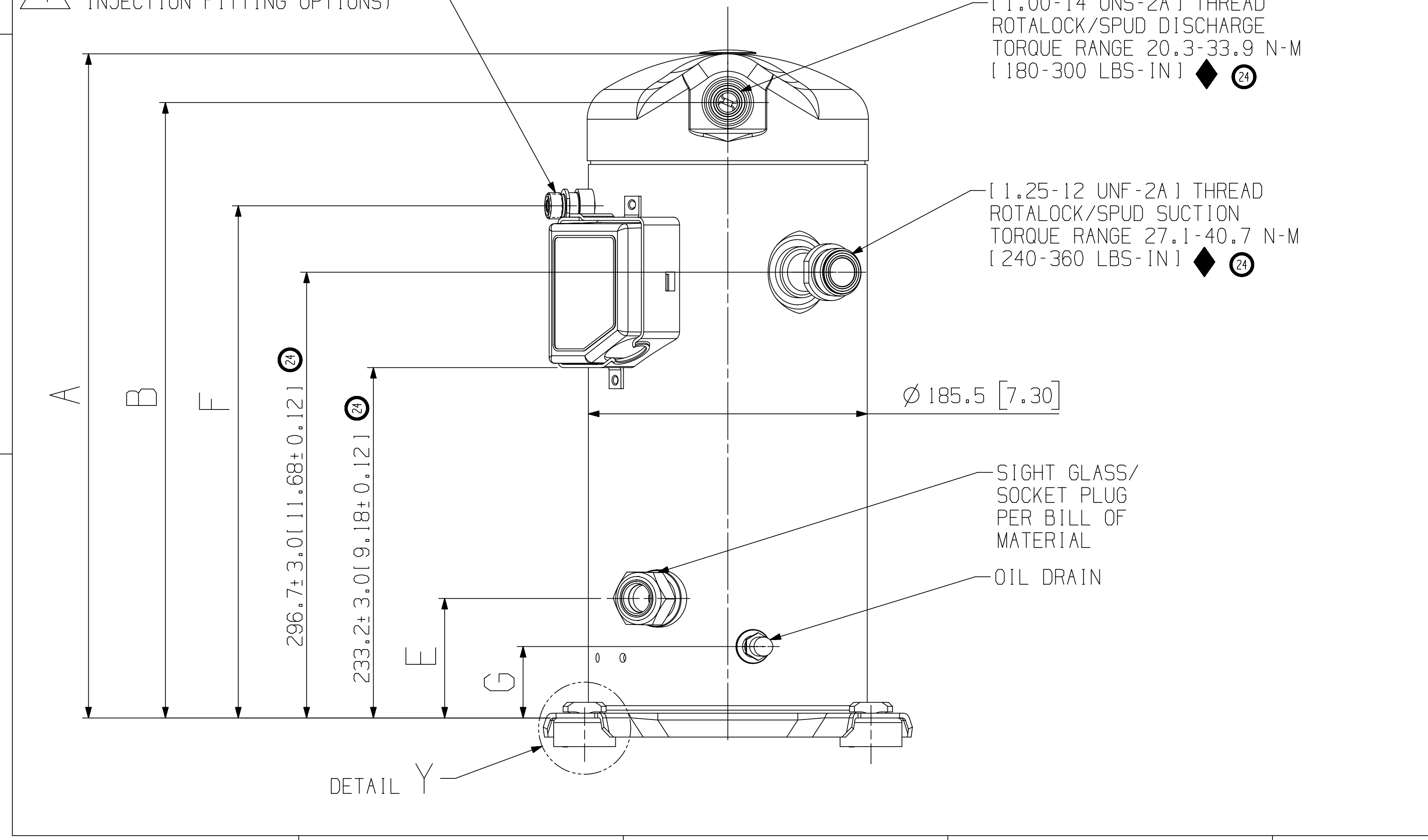
MOTOR TYPE	Ø K PIN CIRCLE
PFJ PFV TF5	13.46 [0.530]
TFD TFE TF7	17.45 [0.687]



TERMINAL BOX LAYOUT OPTIONS
TERMINAL BOX COVER NOT SHOWN
SECTION A-A
SCALE 3:2



DETAIL Y
SCALE 2:1



DETAIL Y

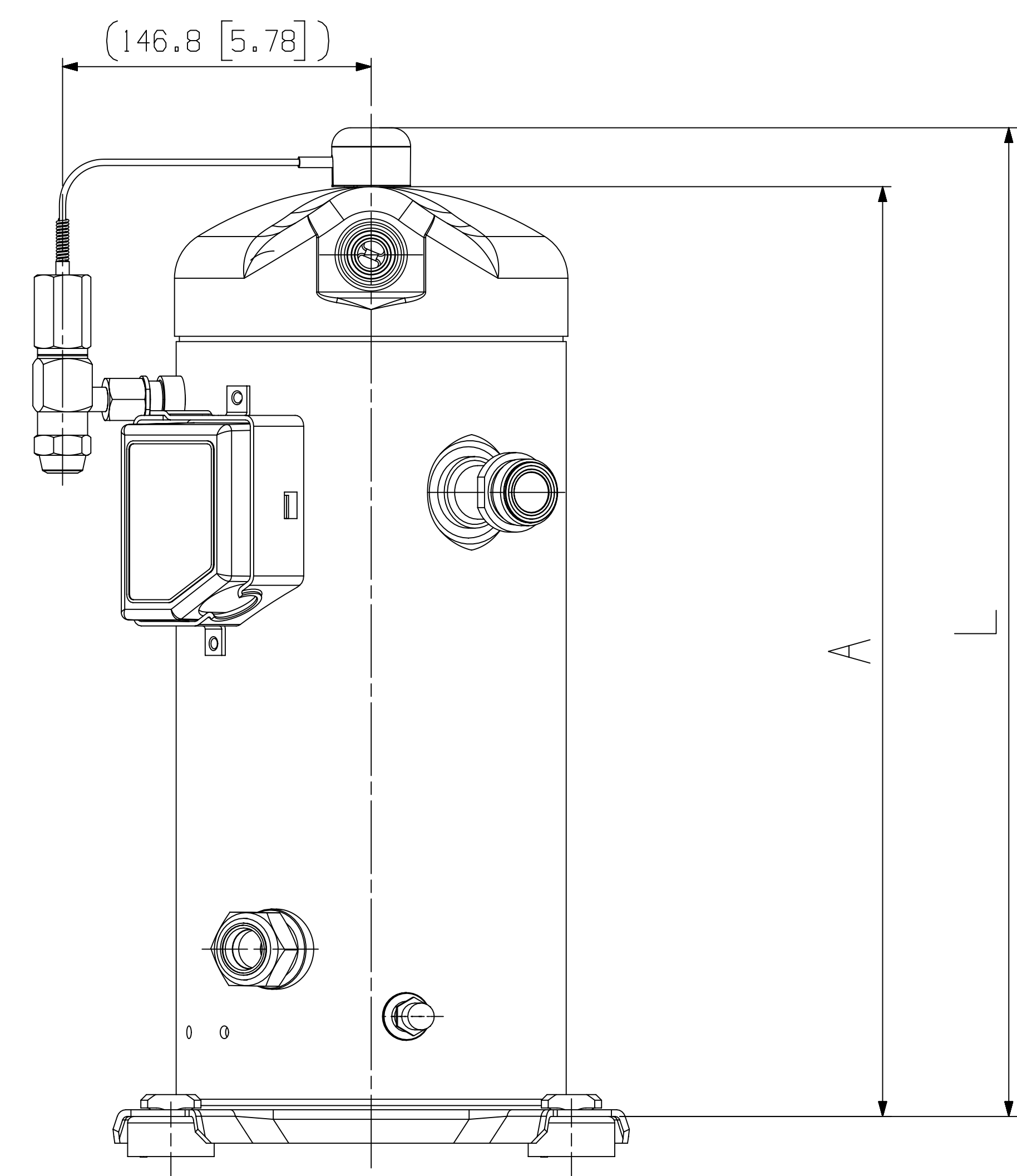
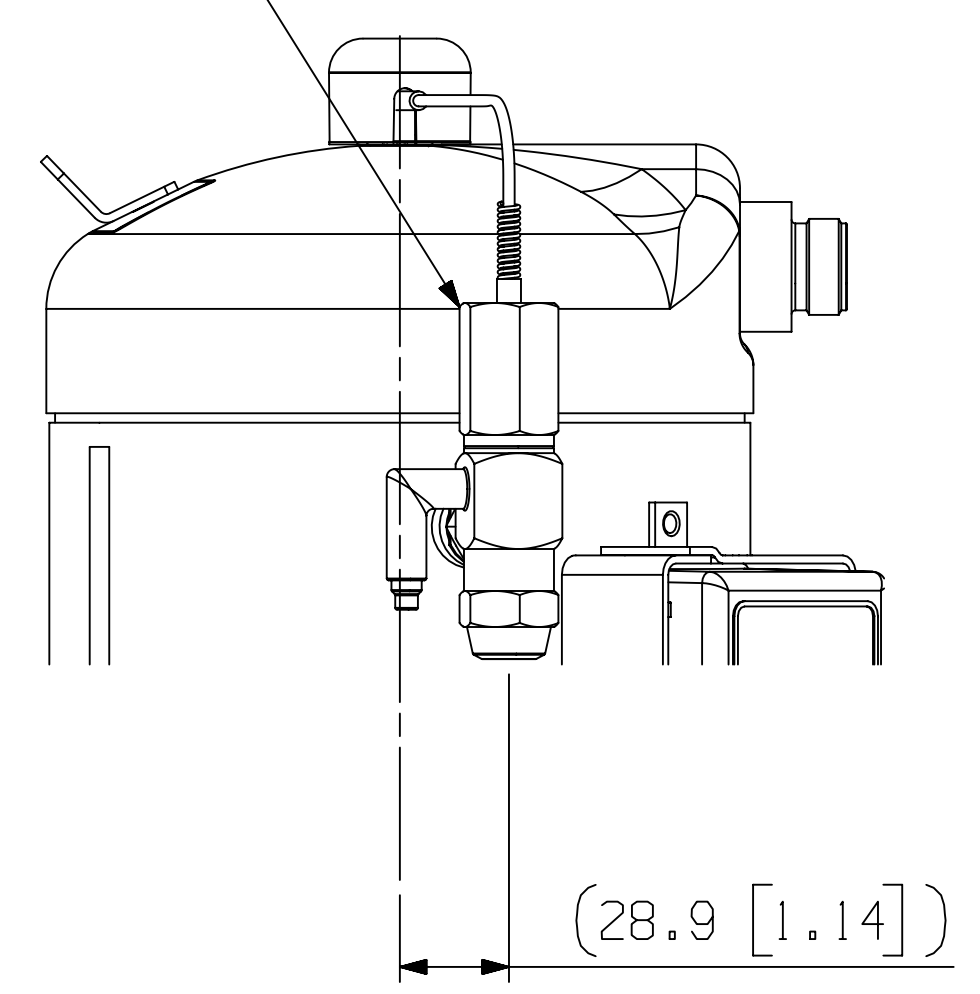
ECN300410	25	CHANGED DIMENSIONS	05-25-17	OSP	PR1	BE
ECN100339	24	REDRAWN WITH CHANGES	01-14-16	OSP	JSK	PMM
32-1198-023	0	RELEASED	01-28-99	AJA	DAM	
ENG NOTICE NO.	REV.NO.	REVISIONS	DATE	BY	CHKD	APPR

CONFIDENTIALITY NOTICE					
THIS DRAWING AND INFORMATION CONTAINED HEREIN ARE THE EXCLUSIVE PROPERTY OF EMERSON CLIMATE TECHNOLOGIES, INC. AND SHALL BE RETURNED UPON DEMAND AND SHALL NOT BE REPRODUCED IN WHOLE OR IN PART DISCLOSED TO ANYONE ELSE OR USED, WITHOUT THE WRITTEN CONSENT OF EMERSON CLIMATE TECHNOLOGIES, INC.					
MATERIAL SPECIFICATION		DRAWN BY		SUPERSEDES DWG. NO. / REV. NO.	
N/A		OSP		497-3544-00/023	
		DATE		SCALE	
		01-14-16		1:2	
TITLE			DRAWING NUMBER		SHEET 2 OF 5
REF DWG-WELD COMP ASSM			497-3544-00		4
					SIZE



INTERPRET PER ASME Y14.5M-1994 AND EMERSON CLIMATE TECHNOLOGIES, INC. DESIGN STANDARDS DS2002
DO NOT SCALE DRAWING
THIRD ANGLE PROJECTION
CRITICAL PRODUCT CHARACTERISTICS
UNLESS OTHERWISE SPECIFIED DIMENSIONS ARE MILLIMETER OR (1 INCH)
TOLERANCES:
1-PLACE ±
2-PLACE ±
ANGULAR ± 0.5°

25 DTC VALVE TO BE INSTALLED BY CUSTOMER



25 LIQUID INJECTION MODELS ONLY

EMERSON
Climate Technologies

Copeland
brand products

INTERPRET PER ASME Y14.5M-1994 AND EMERSON CLIMATE TECHNOLOGIES, INC. DESIGN STANDARDS DS2002

DO NOT SCALE DRAWING

THIRD ANGLE PROJECTION

CRITICAL PRODUCT CHARACTERISTICS

UNLESS OTHERWISE SPECIFIED DIMENSIONS ARE MILLIMETER OR (1 INCH)

TOLERANCES:
1-PLACE ±
2-PLACE ±
ANGULAR ± 0.5°

1 25

ECN300410	25	ADDED NOTES	05-25-17	OSP	PR1	BE
ECN100339	24	REDRAWN WITH CHANGES	01-14-16	OSP	JSK	PMM
32-1198-023	0	RELEASED	01-28-99	AJA	DAM	
ENG NOTICE NO.	REV.NO.	REVISIONS	DATE	BY	CHKD	APPR
CONFIDENTIALITY NOTICE						
THIS DRAWING AND INFORMATION CONTAINED HEREIN ARE THE EXCLUSIVE PROPERTY OF EMERSON CLIMATE TECHNOLOGIES, INC. AND SHALL BE RETURNED UPON DEMAND AND SHALL NOT BE REPRODUCED IN WHOLE OR IN PART DISCLOSED TO ANYONE ELSE OR USED, WITHOUT THE WRITTEN CONSENT OF EMERSON CLIMATE TECHNOLOGIES, INC.						
MATERIAL SPECIFICATION			DRAWN BY		SUPERSEDES DWG. NO. / REV. NO.	
N/A			OSP		497-3544-00/023	
			DATE		SCALE	
			01-14-16		1:2	
TITLE			DRAWING NUMBER		SHEET 3 OF 5	
REF DWG-WELD COMP ASSM			497-3544-00		4	
					SIZE	

8

7

6

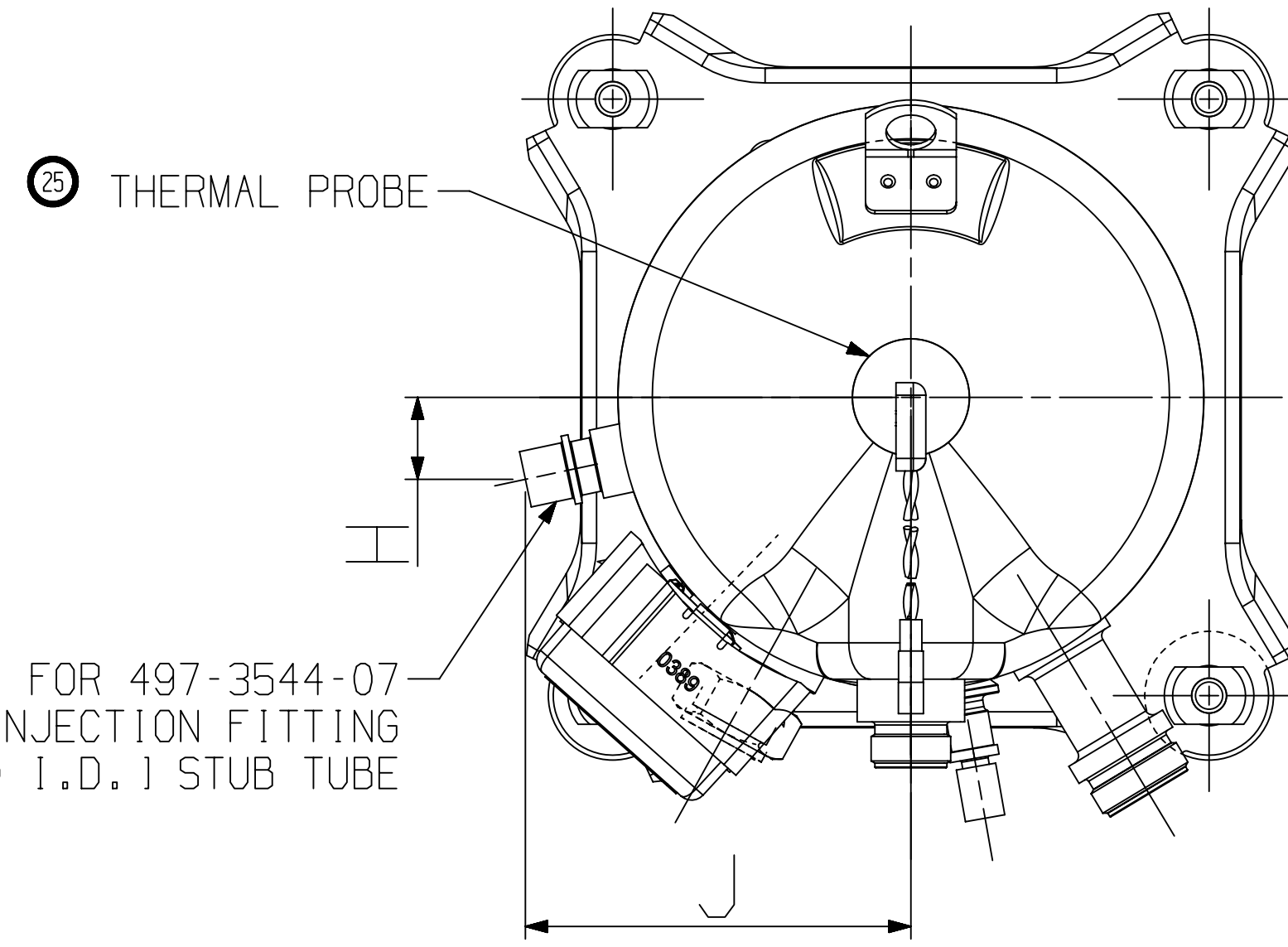
5

4

3

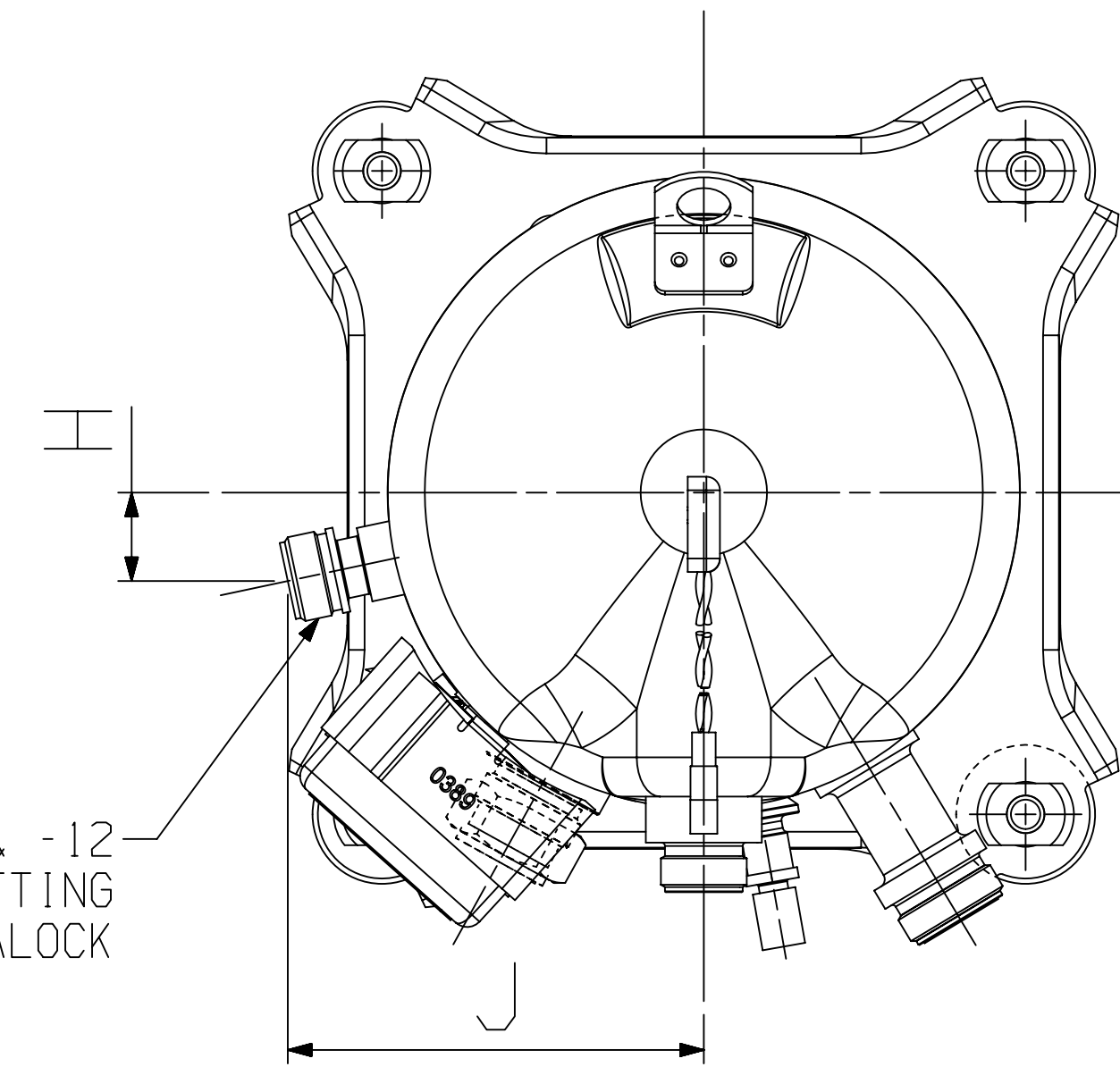
2

1



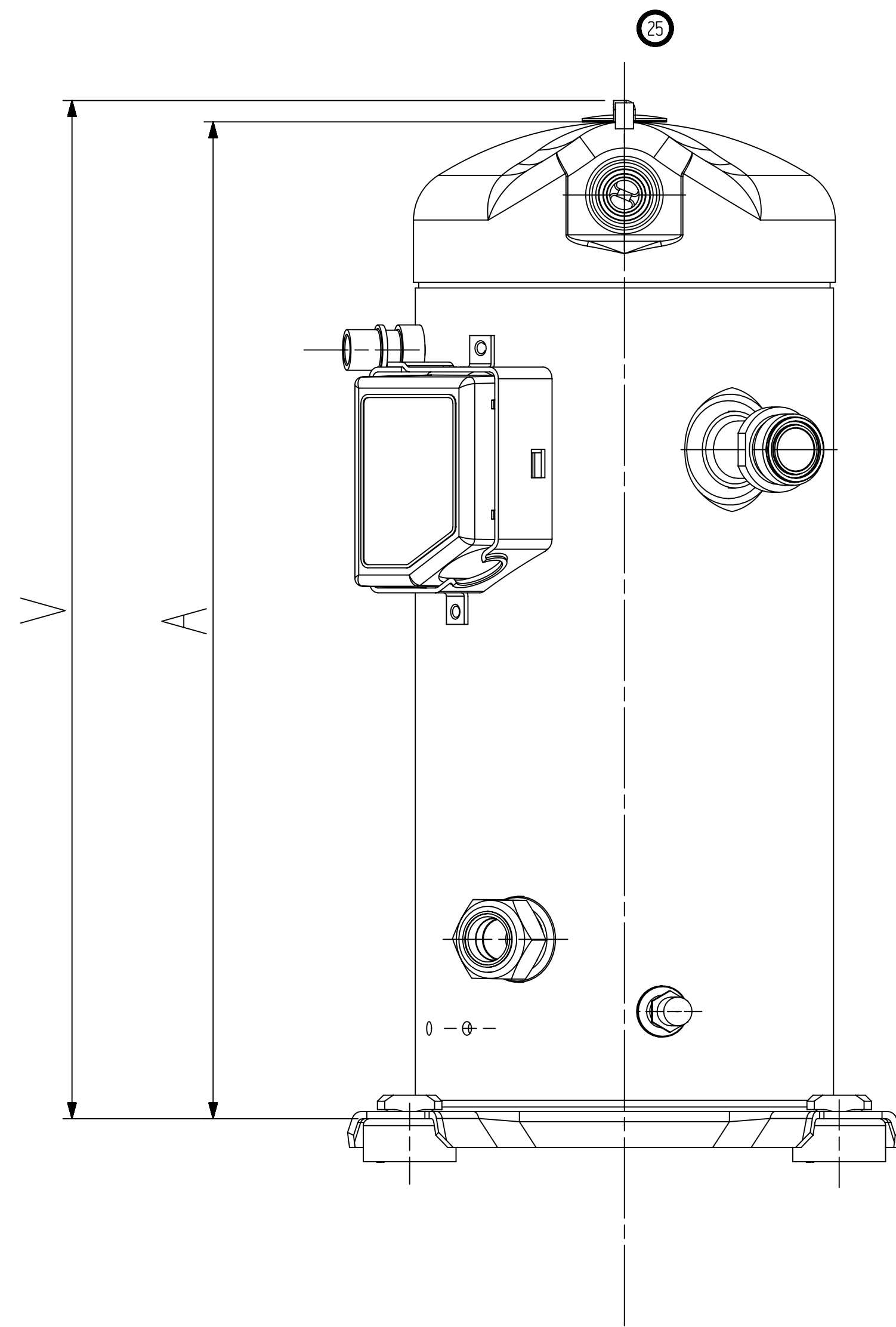
FOR 497-3544-07
VAPOR INJECTION FITTING
[0.50 I.D.] STUB TUBE

23 24



FOR 497-3544-04 & -12
VAPOR INJECTION FITTING
[1.00-14 UNS 2A] ROTALOCK

25



25 VAPOR INJECTION MODELS ONLY

8

7

6

5

4

3

2

1

EMERSON
Climate Technologies

Copeland
brand products

INTERPRET PER ASME
Y14.5M-1994 AND
EMERSON CLIMATE
TECHNOLOGIES, INC.
DESIGN STANDARDS DS2002

DO NOT SCALE DRAWING

THIRD ANGLE
PROJECTION

CRITICAL PRODUCT
CHARACTERISTICS

UNLESS OTHERWISE SPECIFIED
DIMENSIONS ARE MILLIMETER OR (1 INCH)

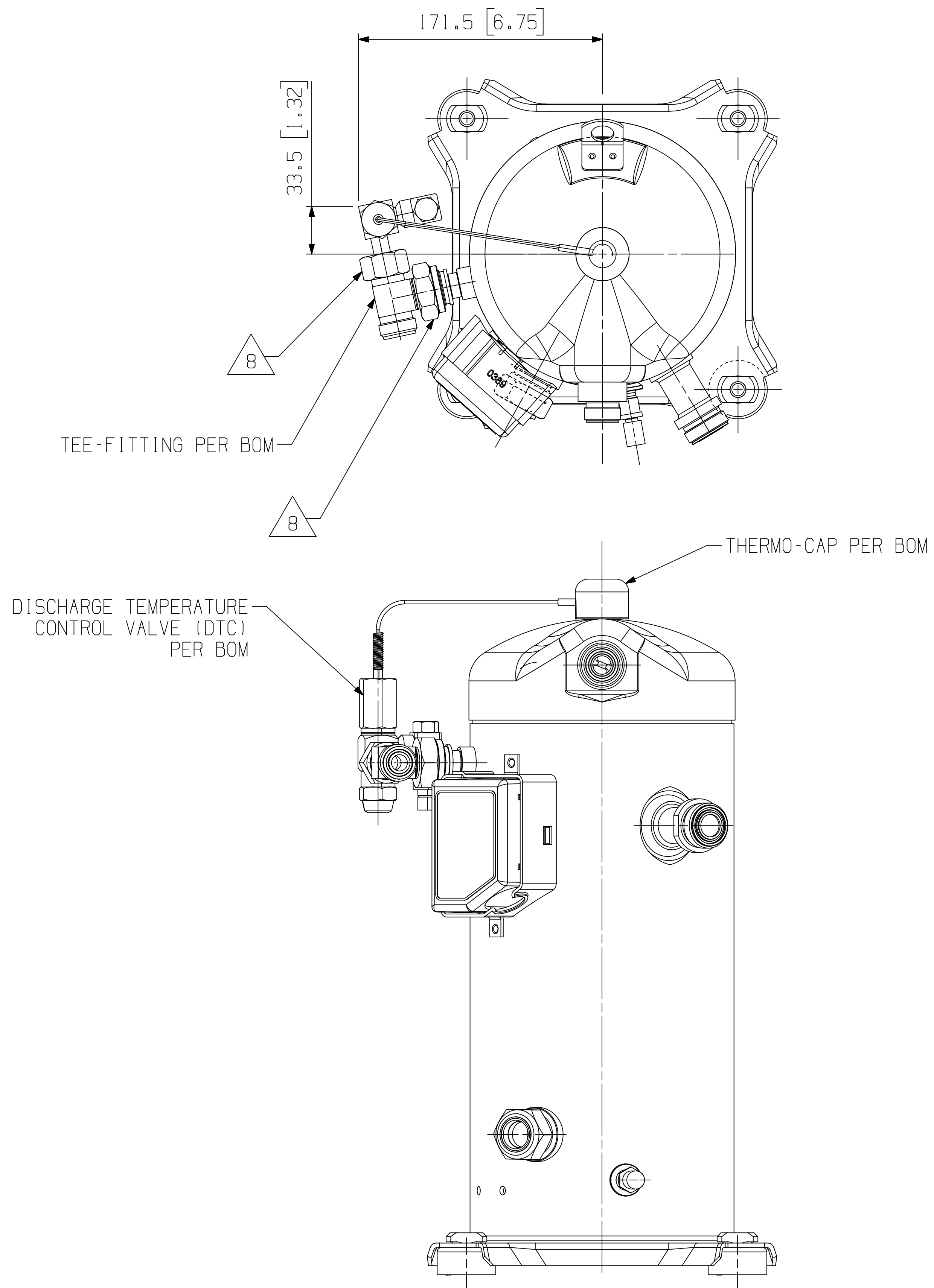
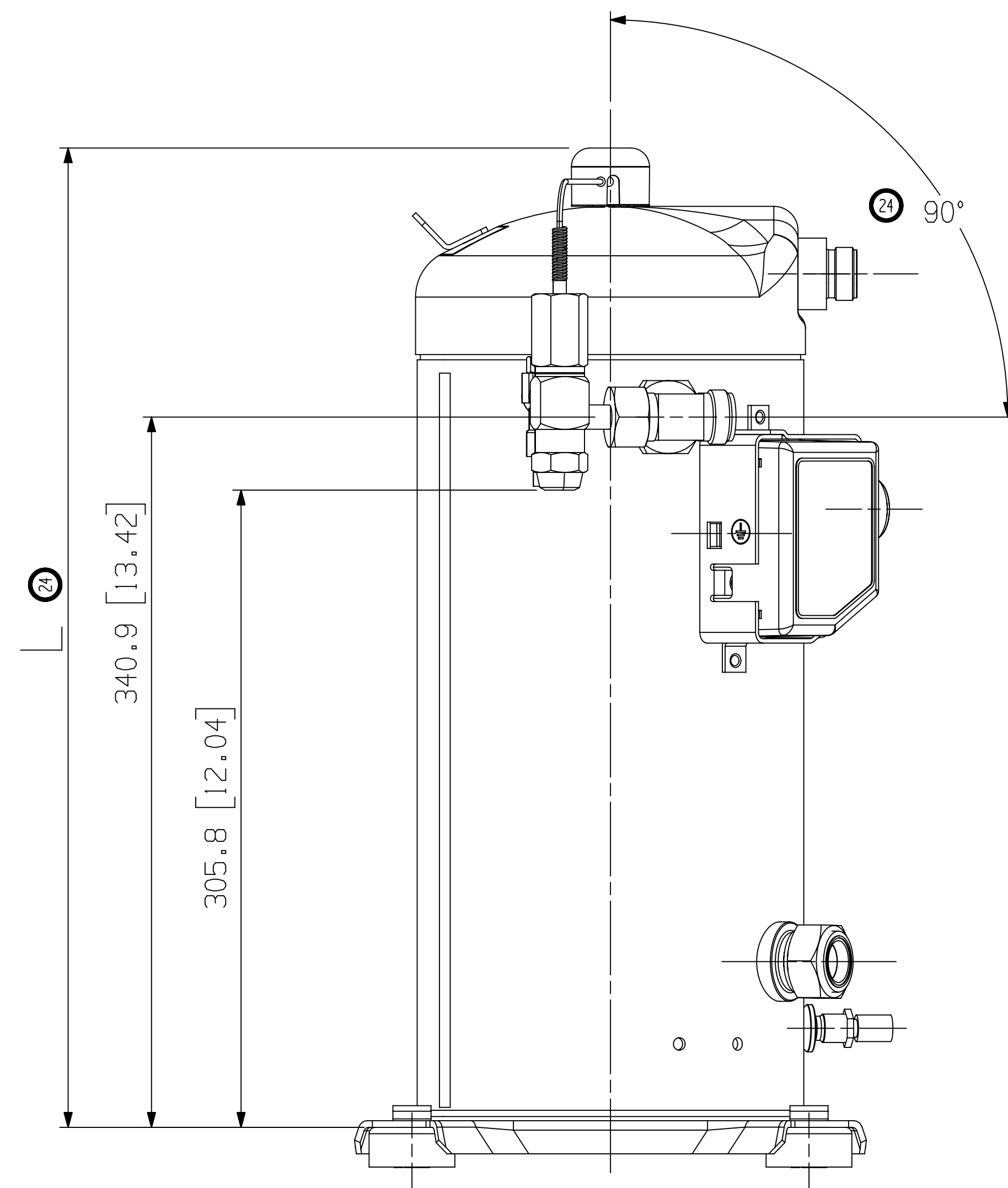
TOLERANCES:
1-PLACE ±
2-PLACE ±
ANGULAR ± 0.5°

ENG NOTICE NO.	REV.NO.	REVISIONS	DATE	BY	CHKD	APPR
ECN300410	25	ADDED NOTES	05-25-17	OSP	PR1	BE
ECN100339	24	REDRAWN WITH CHANGES	01-14-16	OSP	JSK	PMM
32-1198-023	0	RELEASED	01-28-99	AJA	DAM	

CONFIDENTIALITY NOTICE			
THIS DRAWING AND INFORMATION CONTAINED HEREIN ARE THE EXCLUSIVE PROPERTY OF EMERSON CLIMATE TECHNOLOGIES, INC. AND SHALL BE RETURNED UPON DEMAND AND SHALL NOT BE REPRODUCED IN WHOLE OR IN PART DISCLOSED TO ANYONE ELSE OR USED, WITHOUT THE WRITTEN CONSENT OF EMERSON CLIMATE TECHNOLOGIES, INC.			
MATERIAL SPECIFICATION	DRAWN BY	SUPERSEDES DWG. NO. / REV. NO.	
N/A	OSP	497-3544-00/023	
	DATE	SCALE	DATE FORMAT:
	01-14-16	1:2	MM-DD-YY
TITLE	DRAWING NUMBER	SHEET 4 OF 5 DWG	
REF DWG-WELD COMP ASSM	497-3544-00	4	
		SIZE	

UNCONTROLLED - DO NOT MODIFY

© COPYRIGHT EMERSON CLIMATE TECHNOLOGIES, INC. - CONFIDENTIAL



25 VAPOR INJECTION MODELS ONLY

EMERSON
Climate Technologies

Copeland
brand products

INTERPRET PER ASME Y14.5M-1994 AND EMERSON CLIMATE TECHNOLOGIES, INC. DESIGN STANDARDS DS2002

DO NOT SCALE DRAWING

THIRD ANGLE PROJECTION

CRITICAL PRODUCT CHARACTERISTICS

UNLESS OTHERWISE SPECIFIED DIMENSIONS ARE MILLIMETER OR (1 INCH)

TOLERANCES:
1-PLACE ±
2-PLACE ±
ANGULAR ± 0.5°

1 25

ECN300410	25	ADDED NOTE	05-25-17	OSP	PR1	BE
ECN100339	24	REDRAWN WITH CHANGES	01-14-16	OSP	JSK	PMM
32-1198-023	0	RELEASED	01-28-99	AJA	DAM	
ENG NOTICE NO.	REV.NO.	REVISIONS	DATE	BY	CHKD	APPR
CONFIDENTIALITY NOTICE						
THIS DRAWING AND INFORMATION CONTAINED HEREIN ARE THE EXCLUSIVE PROPERTY OF EMERSON CLIMATE TECHNOLOGIES, INC. AND SHALL BE RETURNED UPON DEMAND AND SHALL NOT BE REPRODUCED IN WHOLE OR IN PART DISCLOSED TO ANYONE ELSE OR USED, WITHOUT THE WRITTEN CONSENT OF EMERSON CLIMATE TECHNOLOGIES, INC.						
MATERIAL SPECIFICATION			DRAWN BY		SUPERSEDES DWG. NO. / REV. NO.	
N/A			OSP		497-3544-00/023	
			DATE		SCALE	
			01-14-16		1:2	
TITLE			DRAWING NUMBER		SHEET 5 OF 5	
REF DWG-WELD COMP ASSM			497-3544-00		4	
					SIZE	