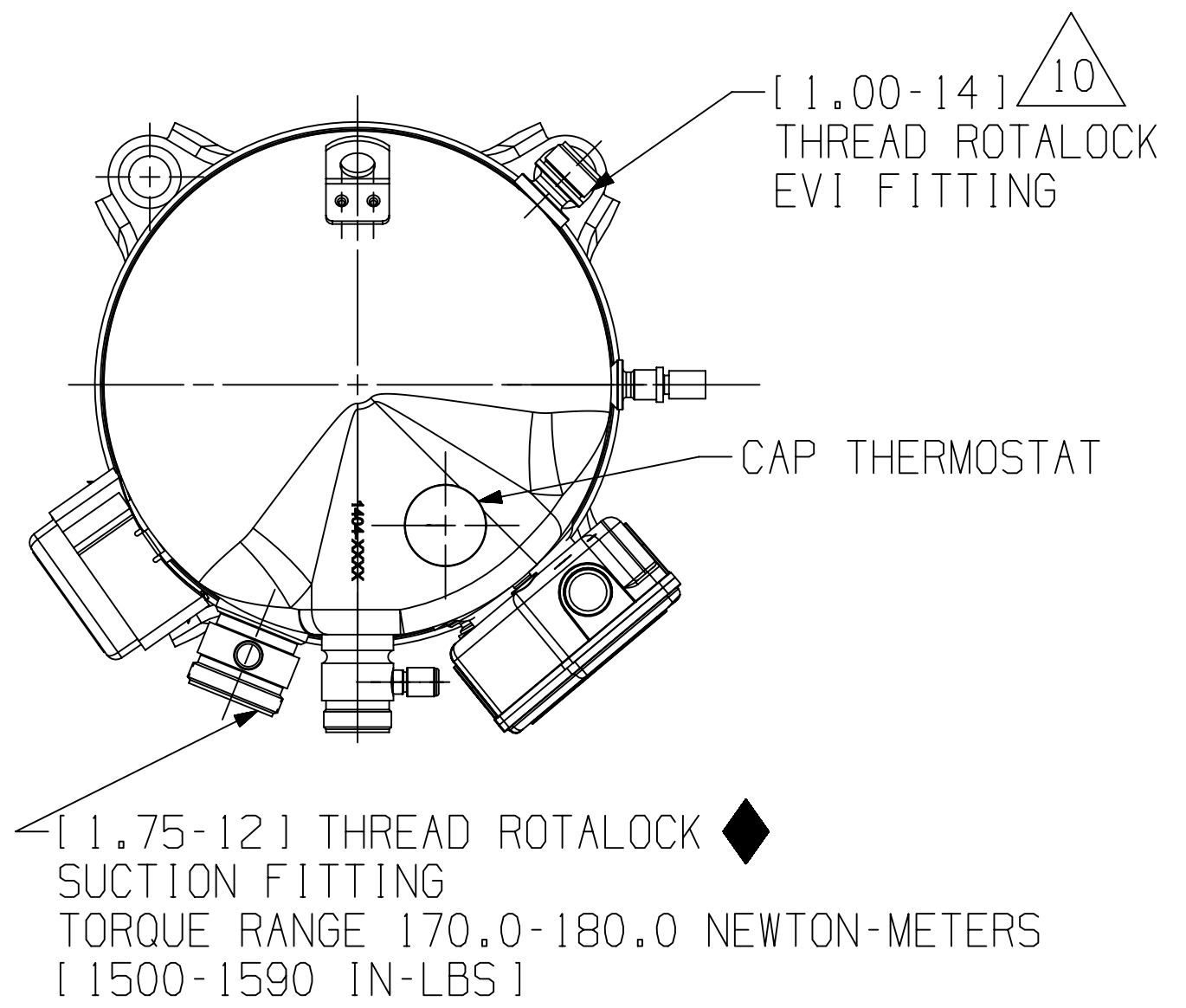
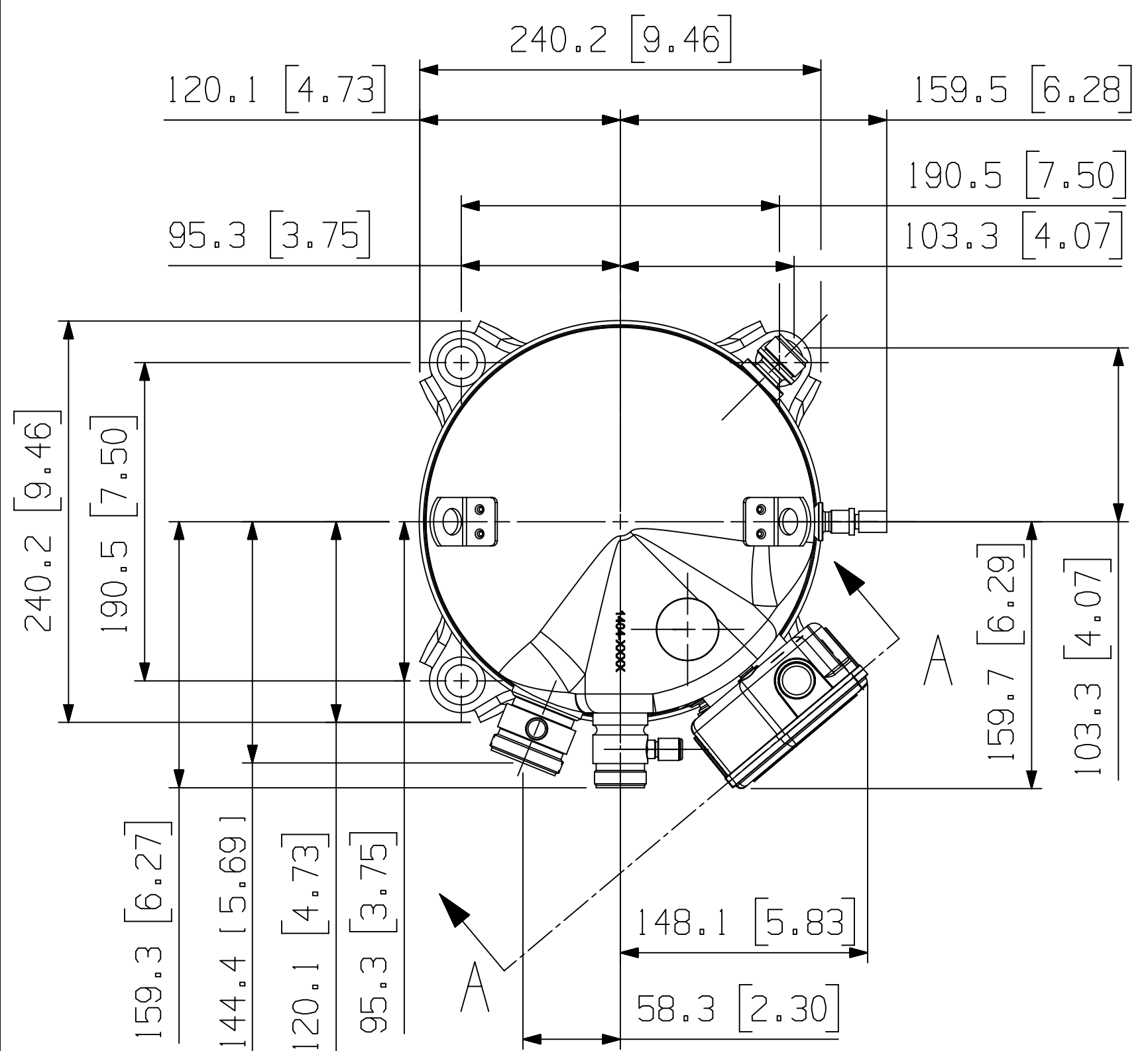


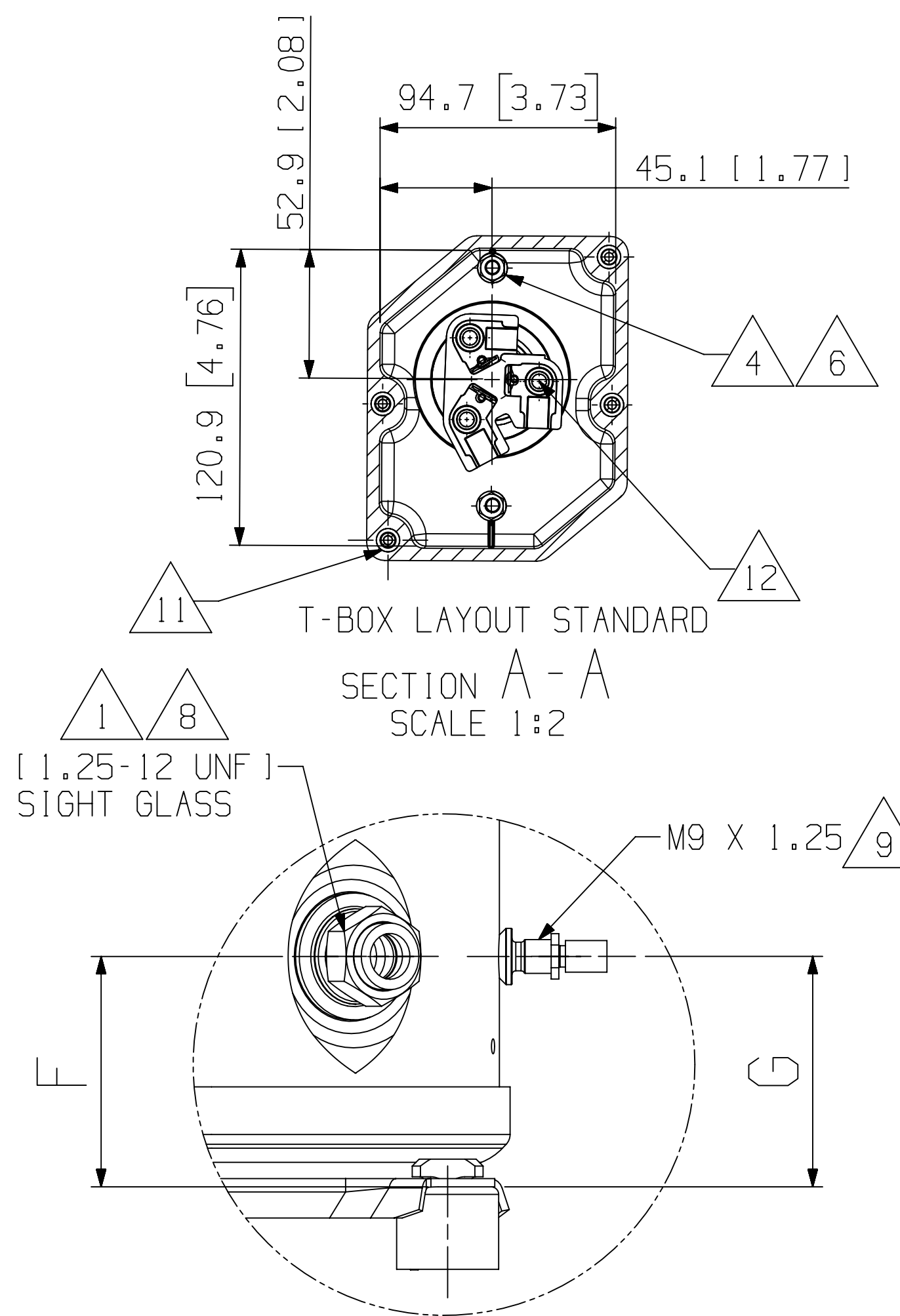
PART NO.	MODEL NUMBER	A	B	C	D	E	F	G	H	SHEET
497-0910-01	ZF34/41K5E	533.60 [21.00]	501.8 [19.75]	277.30 [10.91]	OMIT	245.7 [9.67]	93.0 [3.66]	93.0 [3.66]	393.3 [15.49]	SHEET 1
497-0910-03	ZFD41K5E	533.60 [21.00]	501.8 [19.75]	277.30 [10.91]	253.7 [9.99]	245.7 [9.67]	93.0 [3.66]	93.0 [3.66]	393.3 [15.49]	SHEET 1,2
497-0910-04	ZF49/54K5E	551.50 [21.71]	519.5 [20.45]	295.00 [11.61]	OMIT	263.6 [10.37]	92.6 [3.64]	92.6 [3.64]	441.0 [16.18]	SHEET 1

SPECIFICATIONS	
ES NO.	DESCRIPTION
ES92-155	CONVERSION-METRIC

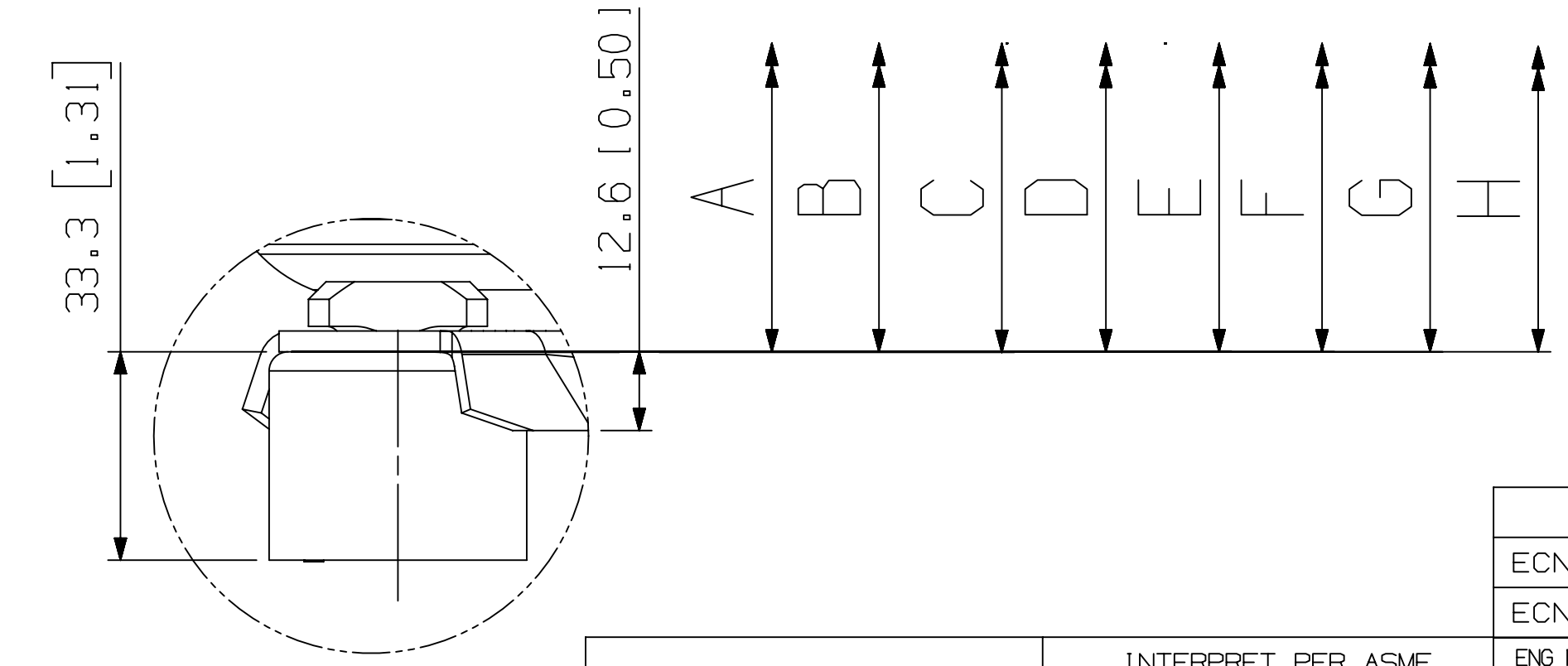
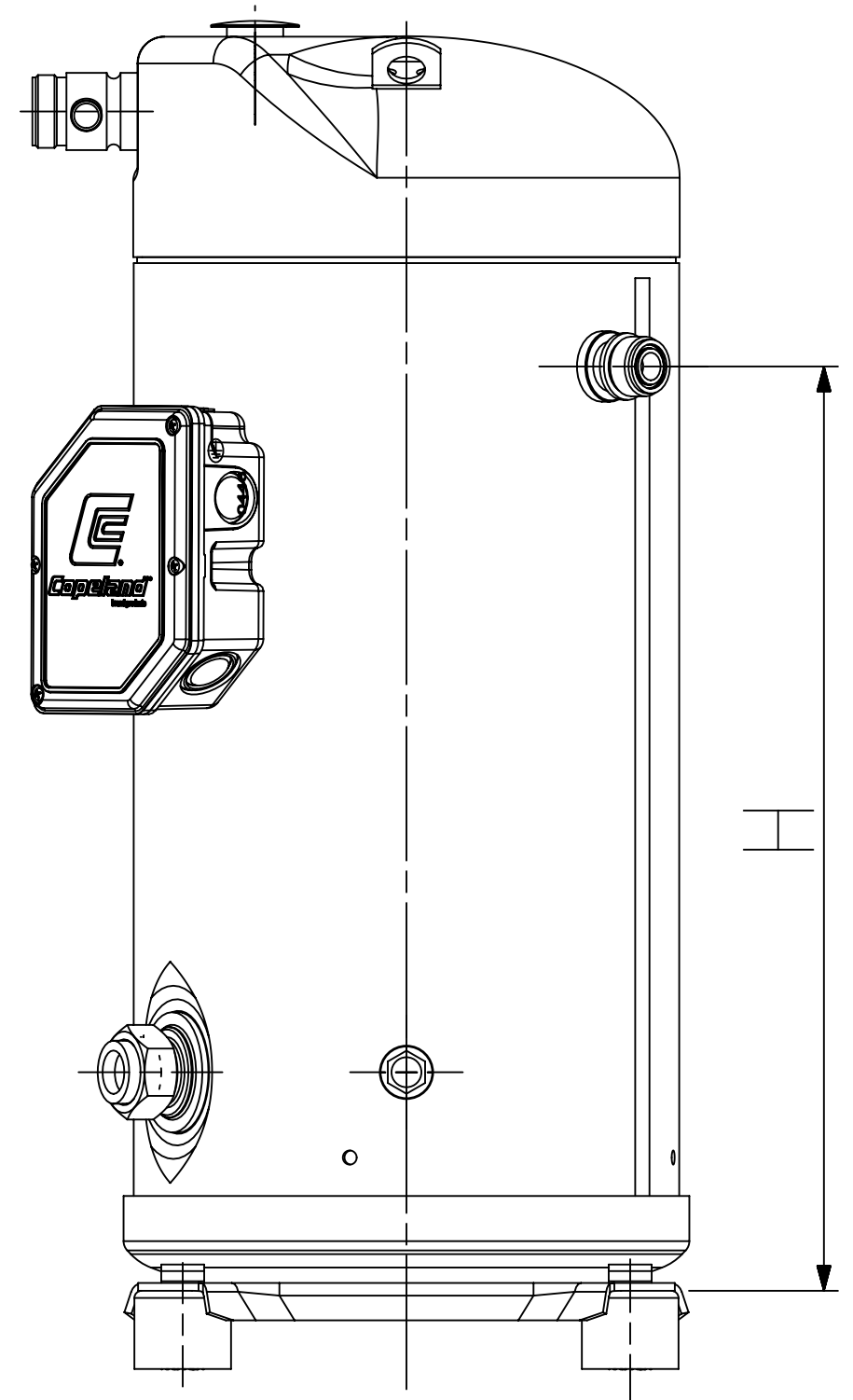
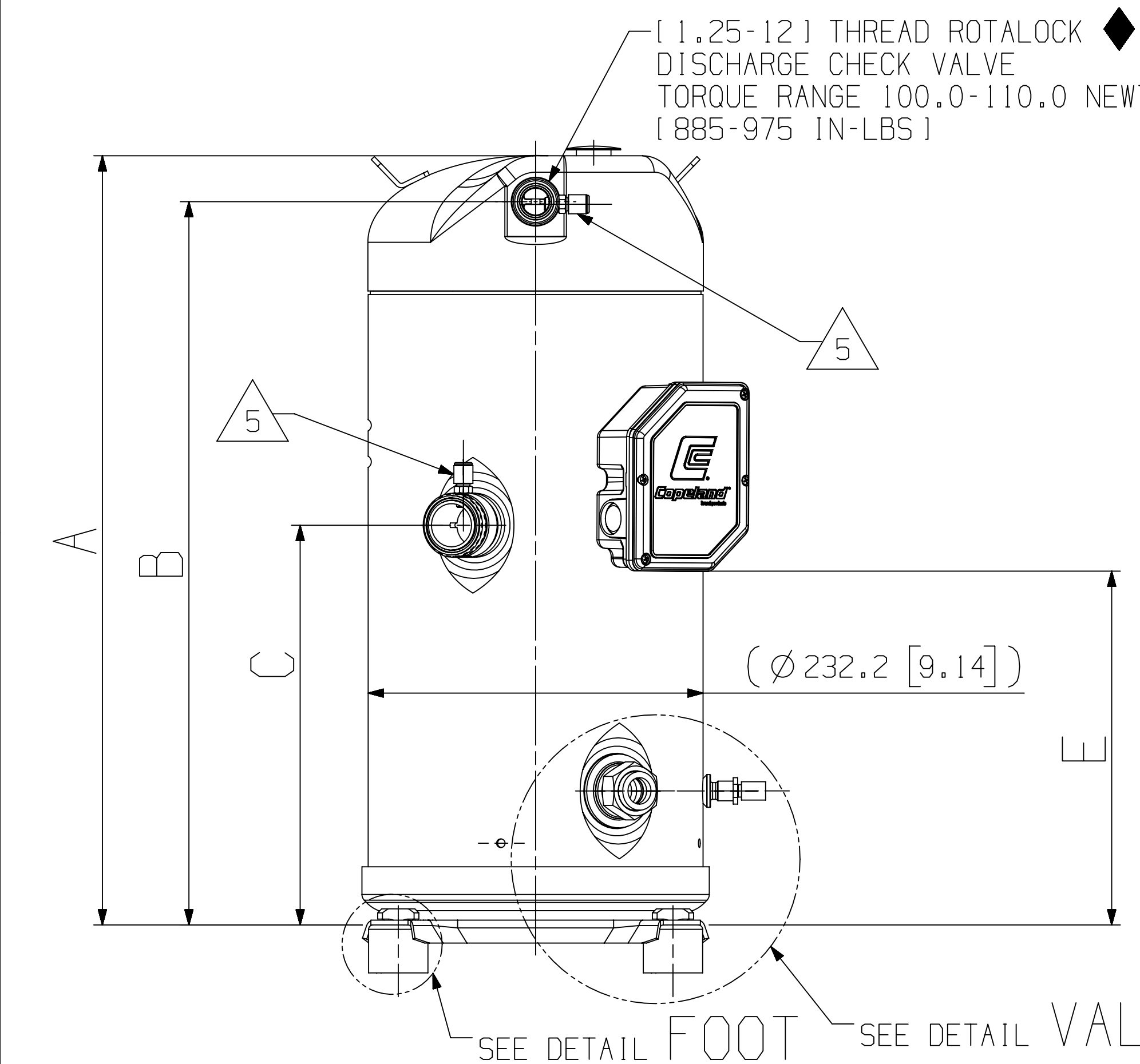
- NOTES:
- 1 ALL TOLERANCES  $\pm 1.5$  [0.06] UNLESS OTHERWISE SPECIFIED. DUE TO ACCUMULATED ASSEMBLY TOLERANCES THE LISTED COMPONENTS MAY VARY FROM THE MOUNTING HOLES AS TABULATED.
  - 2 MOUNTING KIT: 527-0210-00
  3. TUBE ENDS MUST BE PLUGGED.
  - 4 GROUNDING NUT.
  - 5 TORQUE 23-25 NM [200-220 IN-LBS]
  - 6 TORQUE 3.6-4.4 NM [32-39 IN-LBS]
  - 7 TORQUE 2.5-3.1 NM [22.5-27.5 IN-LBS]
  - 8 TORQUE 45.5-53.6 NM [405-475 IN-LBS]
  - 9 TORQUE 4.5-6.8 NM [40-60 IN-LBS]
  - 10 TORQUE 67.8-78.0 NM [600-690 IN-LBS]
  - 11 TORQUE 1.0-1.2 NM [9-11 IN-LBS]
  - 12 TORQUE 1.4-1.7 NM [12-15 IN-LBS]



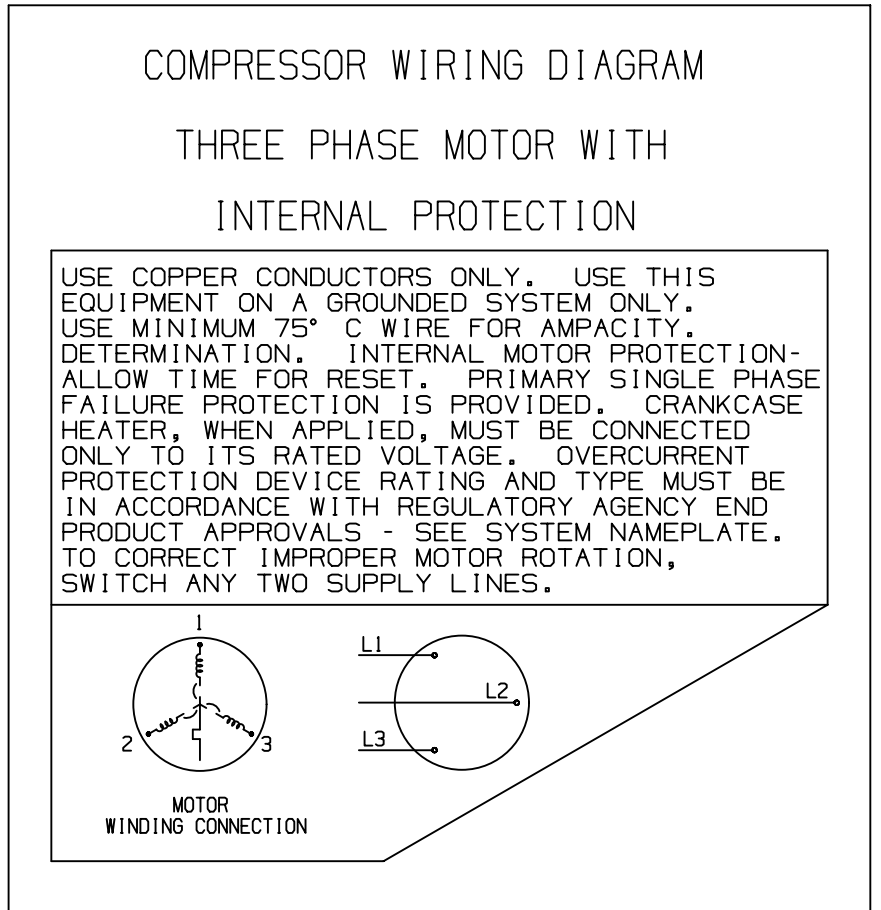
TOP CAP VIEW SHOWN FOR ZFD MODELS ONLY



DETAIL VALVE SCALE 1:2



2 DETAIL FOOT SCALE 1:1



INTERPRET PER ASME Y14.5M-1994 AND EMERSON CLIMATE TECHNOLOGIES, INC. DESIGN STANDARDS DS2002  
DO NOT SCALE DRAWING  
THIRD ANGLE PROJECTION  
CRITICAL PRODUCT CHARACTERISTICS  
UNLESS OTHERWISE SPECIFIED DIMENSIONS ARE MILLIMETER OR (1 INCH)  
TOLERANCES:  
1-PLACE  $\pm$   
2-PLACE  $\pm$   
ANGULAR  $\pm$

ECN	REV. NO.	REVISIONS	DATE	BY	CHKD	APPR
ECN302729	14	REDRAWN & REMOVED SHEET 3	07-27-17	KVB	VC	VC
ECN001479	0	RELEASED	12-04-09	AMN	DC	MG

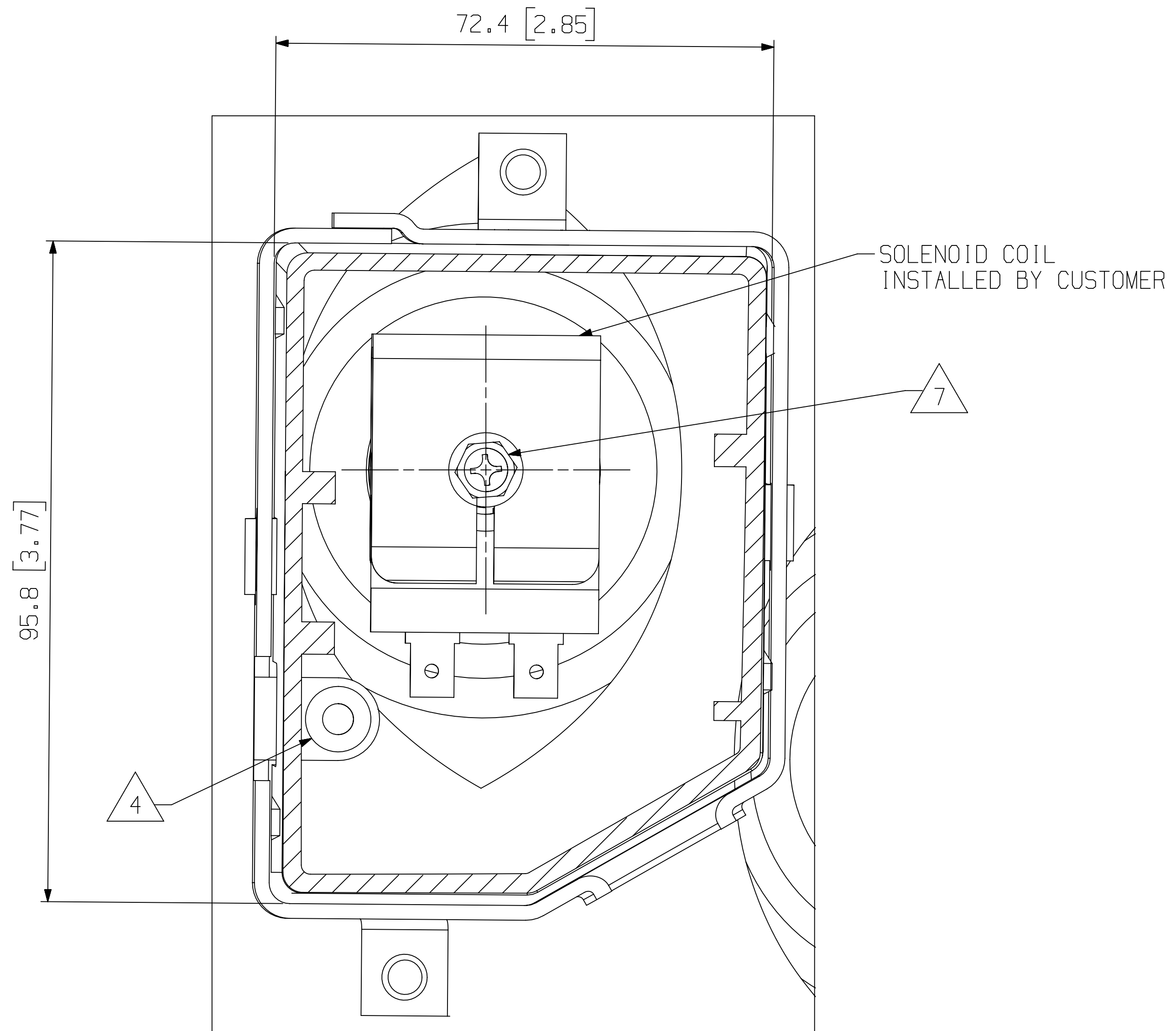
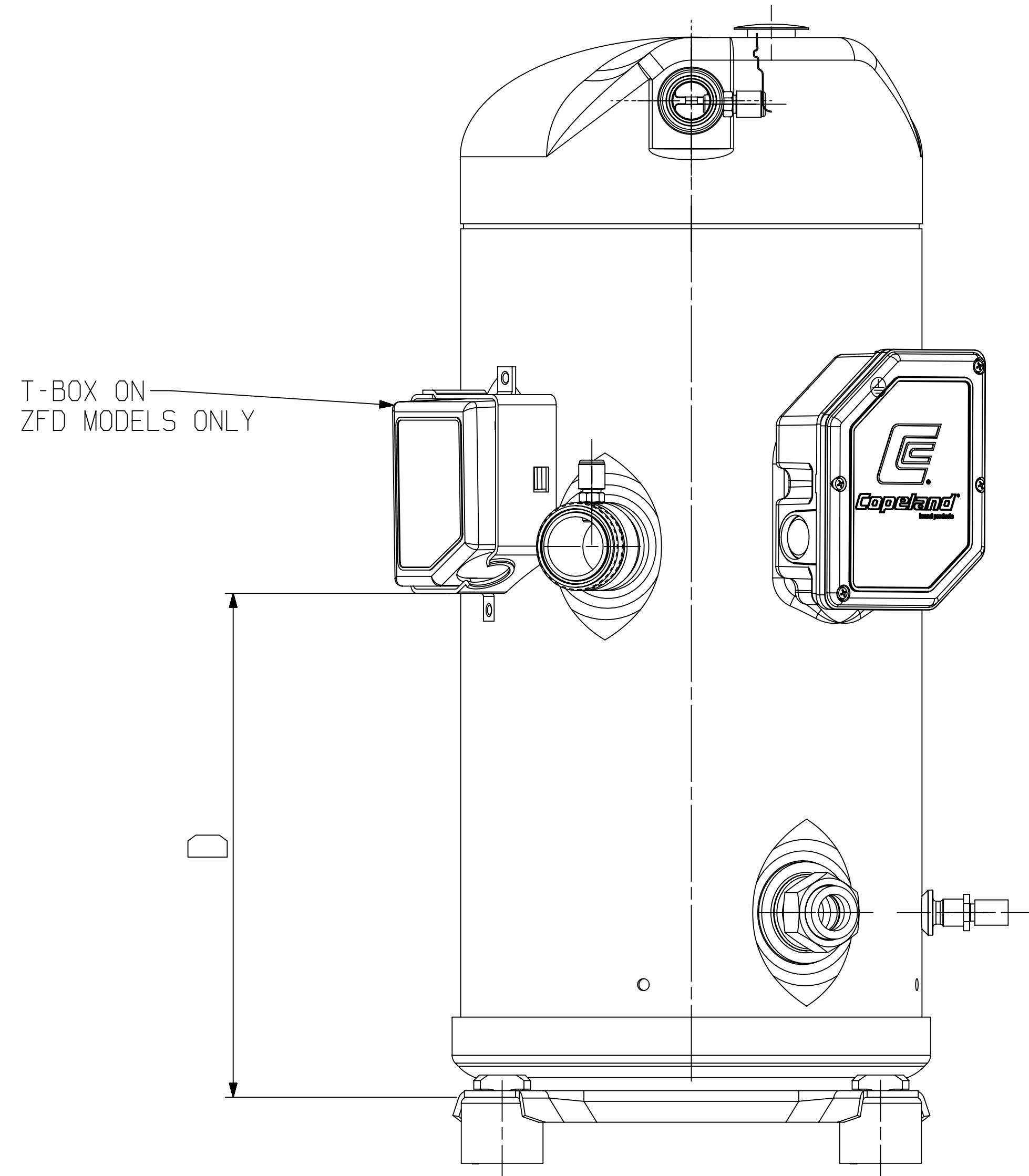
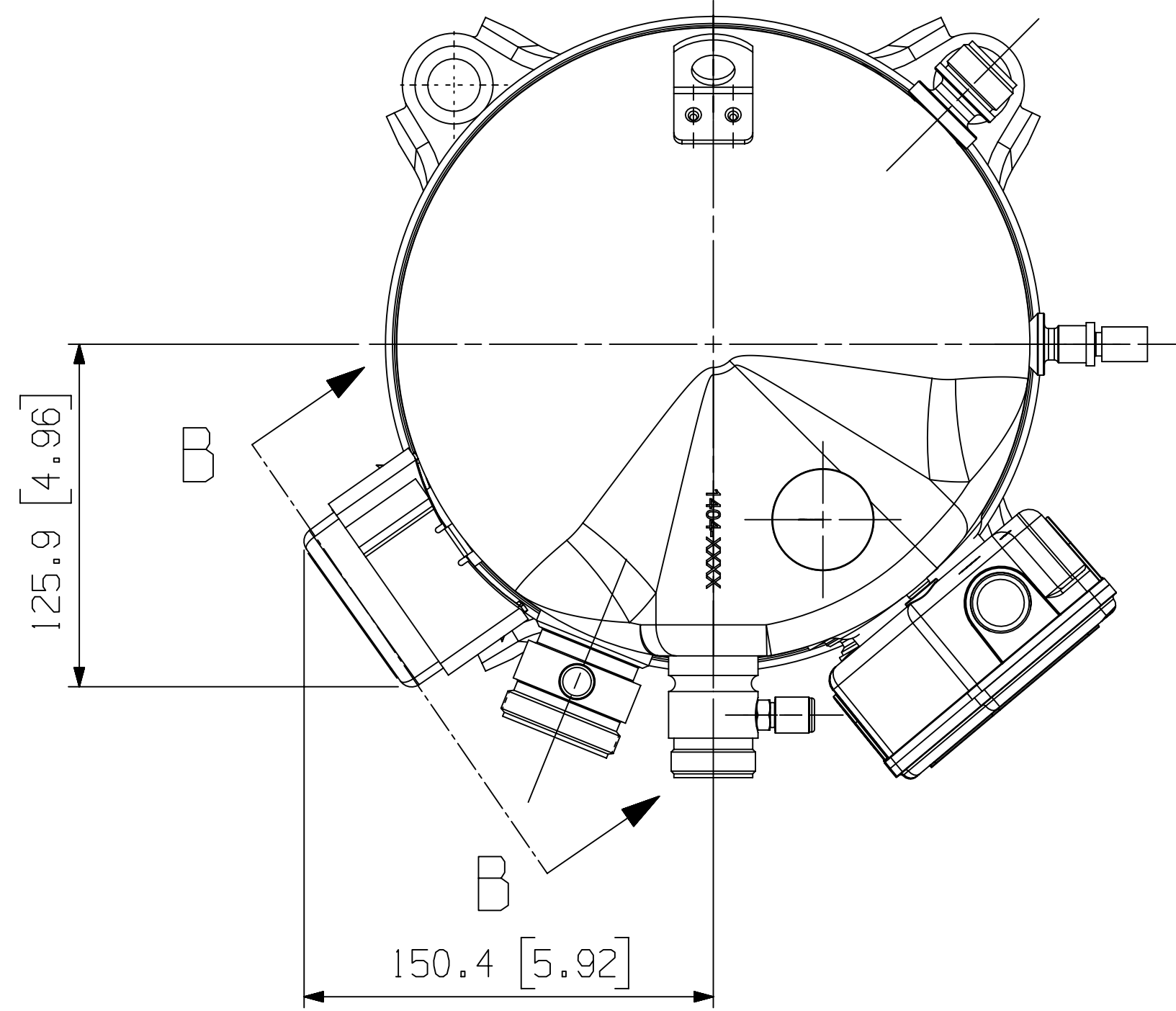
ENG NOTICE NO. REV. NO. REVISIONS DATE BY CHKD APPR

15 CONFIDENTIALITY NOTICE  
THIS DRAWING AND INFORMATION CONTAINED HEREIN ARE THE EXCLUSIVE PROPERTY OF EMERSON CLIMATE TECHNOLOGIES, INC. AND SHALL BE RETURNED UPON DEMAND AND SHALL NOT BE REPRODUCED IN WHOLE OR IN PART DISCLOSED TO ANYONE ELSE OR USED, WITHOUT THE WRITTEN CONSENT OF EMERSON CLIMATE TECHNOLOGIES, INC.

MATERIAL SPECIFICATION	DRAWN BY	SUPERSEDES DWG. NO. / REV. NO.
N/A	KVB	497-0910-00/013
	DATE	SCALE
	07-27-17	1:3
		DATE FORMAT: MM-DD-YY

TITLE	DRAWING NUMBER	SHEET 1 OF 2
REF DWG-WELD COMP ASSM	497-0910-00	4

PART NUMBER  
497-0910-03



SOLENOID VALVE T-BOX  
SECTION B-B  
SCALE 2:1

ECN302729	14	REDRAWN & REMOVED SHEET 3	07-27-17	KVB	VC	VC
ECN001479	0	RELEASED	12-04-09	AMN	DC	MG
ENG NOTICE NO.	REV.NO.	REVISIONS	DATE	BY	CHKD	APPR
CONFIDENTIALITY NOTICE						
15	THIS DRAWING AND INFORMATION CONTAINED HEREIN ARE THE EXCLUSIVE PROPERTY OF EMERSON CLIMATE TECHNOLOGIES, INC. AND SHALL BE RETURNED UPON DEMAND AND SHALL NOT BE REPRODUCED IN WHOLE OR IN PART DISCLOSED TO ANYONE ELSE OR USED, WITHOUT THE WRITTEN CONSENT OF EMERSON CLIMATE TECHNOLOGIES, INC.					
MATERIAL SPECIFICATION			DRAWN BY	SUPERSEDES DWG. NO. / REV. NO.		
N/A			OSP	497-0910-00/013		
			DATE	SCALE	DATE FORMAT:	
			07-27-17	1:2	MM-DD-YY	
TITLE			DRAWING NUMBER	SHEET 2 OF 2		
REF DWG-WELD COMP ASSM			497-0910-00	4		
			UNCONTROLLED - DO NOT MODIFY			1

**EMERSON**  
Climate Technologies

**Copeland**  
brand products

INTERPRET PER ASME  
Y14.5M-1994 AND  
EMERSON CLIMATE  
TECHNOLOGIES, INC.  
DESIGN STANDARDS DS2002

DO NOT SCALE DRAWING

THIRD ANGLE  
PROJECTION

CRITICAL PRODUCT  
CHARACTERISTICS

UNLESS OTHERWISE SPECIFIED  
DIMENSIONS ARE MILLIMETER OR (1 INCH)

TOLERANCES:  
1-PLACE ±  
2-PLACE ±  
ANGULAR ±