

PART NUMBER	MODEL NUMBER	A	B	C	D	E	F	G	H	SHEET
497-0897-02	ZF34/41K5E	533.6 [ 21.01 ]	501.8 [ 19.76 ]	393.3 [ 15.48 ]	277.3 [ 10.92 ]	OMIT	140.3 [ 5.53 ]	93.0 [ 3.66 ]	93.0 [ 3.66 ]	SHEET 1,2
497-0897-03	ZFD41K5E	533.6 [ 21.01 ]	501.8 [ 19.76 ]	393.3 [ 15.48 ]	277.3 [ 10.92 ]	253.7 [ 9.99 ]	140.3 [ 5.53 ]	93.0 [ 3.66 ]	93.0 [ 3.66 ]	SHEET 1,2,3
497-0897-04	ZF49/54K5E	551.5 [ 21.71 ]	519.5 [ 20.45 ]	411.0 [ 16.18 ]	295.0 [ 11.61 ]	OMIT	158.0 [ 6.22 ]	92.6 [ 3.64 ]	92.6 [ 3.64 ]	SHEET 1,2,4
497-0897-05	ZFD54K5E	551.5 [ 21.71 ]	519.5 [ 20.45 ]	411.0 [ 16.18 ]	295.0 [ 11.61 ]	271.3 [ 10.68 ]	158.0 [ 6.22 ]	92.6 [ 3.64 ]	92.6 [ 3.64 ]	SHEET 1,2,4

SPECIFICATIONS	
ES NO.	DESCRIPTION
ES92-155	CONVERSION-METRIC

NOTES:

1 ALL TOLERANCES  $\pm 1.5$  [ 0.06 ] UNLESS OTHERWISE SPECIFIED. DUE TO ACCUMULATED ASSEMBLY TOLERANCES THE LISTED COMPONENTS MAY VARY FROM THE MOUNTING HOLES AS TABULATED.

◆ SUCTION FITTING:  $\pm 3.0$  [ 0.12 ]

◆ DISCHARGE FITTING:  $\pm 3.0$  [ 0.12 ]

2 MOUNTING KIT: 527-0116-00

3. TUBE ENDS MUST BE PLUGGED.

4 GROUNDING NUT.

5 TORQUE 23-25 NM [ 200-220 IN LBS ]

6 TORQUE 1-1.2 NM [ 9-11 IN LBS ]

7 TORQUE 1.4-1.7 NM [ 12-15 IN LBS ]

8 TORQUE 3.6-4.4 NM [ 32-39 IN LBS ]

9. USE COPPER 75° C CONDUCTORS ONLY. USE THIS EQUIPMENT ON A GROUNDED SYSTEM ONLY. PRIMARY SINGLE PHASE FAILURE PROTECTION IS PROVIDED. PROTECTION MODULES AND OPTIONAL CRANKCASE HEATER MUST BE CONNECTED ONLY TO THEIR RATED VOLTAGE. OVERCURRENT PROTECTION DEVICE RATING AND TYPE MUST BE IN ACCORDANCE WITH REGULATION AND PRODUCT APPROVALS. SEE SYSTEM NAMEPLATE FOR MORE DETAILS REFER LABEL DRAWING 052-2602-00

10 TORQUE 2.5-3.1 NM [ 22.5-27.5 IN LBS ]

11 TORQUE 45.5-53.6 NM [ 405-475 IN LBS ]

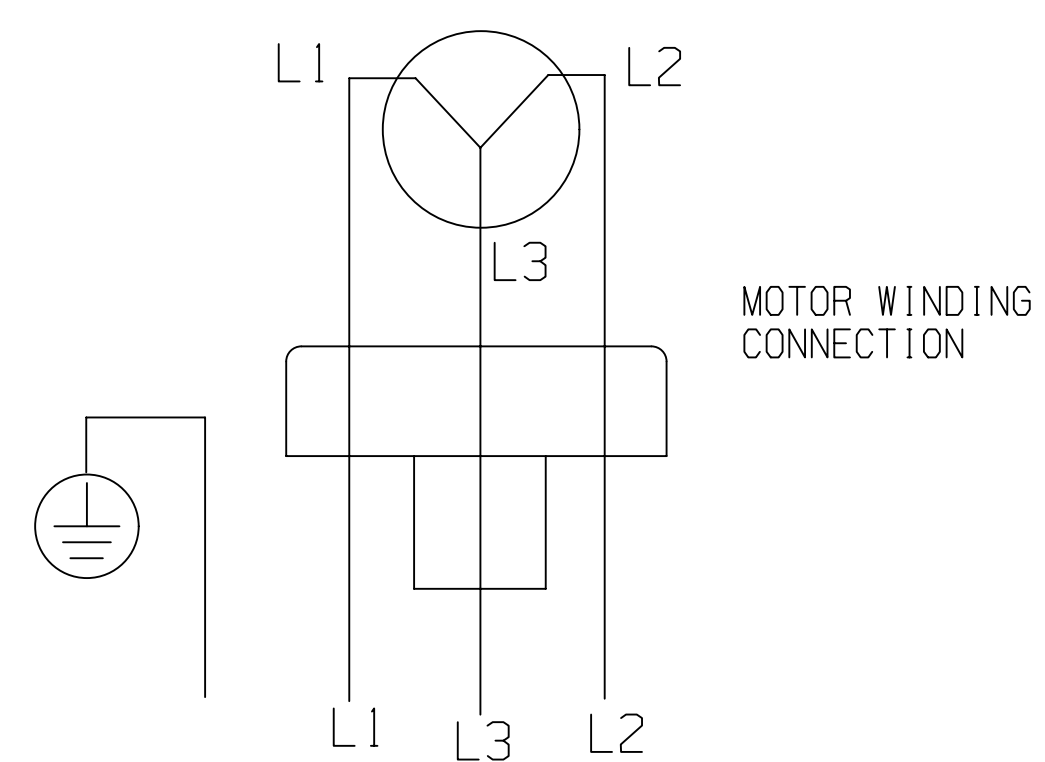
12 TORQUE 4.5-6.8 NM [ 40-60 IN LBS ]

13 TORQUE 67.8-78.0 NM [ 600-690 IN LBS ]

14 MOUNTING KIT: 527-0210-00

15 TORQUE 4.5-5.1 NM [ 40-45 IN LB ]

16 TORQUE 5.7-6.8 NM [ 50-60 IN LB ]



ENG NOTICE NO.	REV.NO.	REVISIONS	DATE	BY	CHKD	APPR
ECN1024666	19	PICTORIALLY REVISED PRINT	08-29-16	AMN	PR1	SBM
ECN1000666	18	REDRAWN & OBSOLETE -05	04-07-16	BSS	PR1	KK
ECN001479	0	RELEASED	12-09-09	YKN	DC	MG

CONFIDENTIALITY NOTICE			
15	THIS DRAWING AND INFORMATION CONTAINED HEREIN ARE THE EXCLUSIVE PROPERTY OF EMERSON CLIMATE TECHNOLOGIES, INC. AND SHALL BE RETURNED UPON DEMAND AND SHALL NOT BE REPRODUCED IN WHOLE OR IN PART DISCLOSED TO ANYONE ELSE OR USED, WITHOUT THE WRITTEN CONSENT OF EMERSON CLIMATE TECHNOLOGIES, INC.		
MATERIAL SPECIFICATION	DRAWN BY	SUPERSEDES DWG. NO. / REV. NO.	
N/A	BSS	497-0897-00/017	
	DATE	SCALE	DATE FORMAT:
	04-07-16	1:3	MM-DD-YY
TITLE	DRAWING NUMBER	SHEET 1 OF 4 DWG	
REF DWG-FINAL ASSM	497-0897-00	4	
		SIZE	

EMERSON Climate Technologies

Copeland brand products

INTERPRET PER ASME Y14.5M-1994 AND EMERSON CLIMATE TECHNOLOGIES, INC. DESIGN STANDARDS DS2002

DO NOT SCALE DRAWING

CRITICAL PRODUCT CHARACTERISTICS

THIRD ANGLE PROJECTION

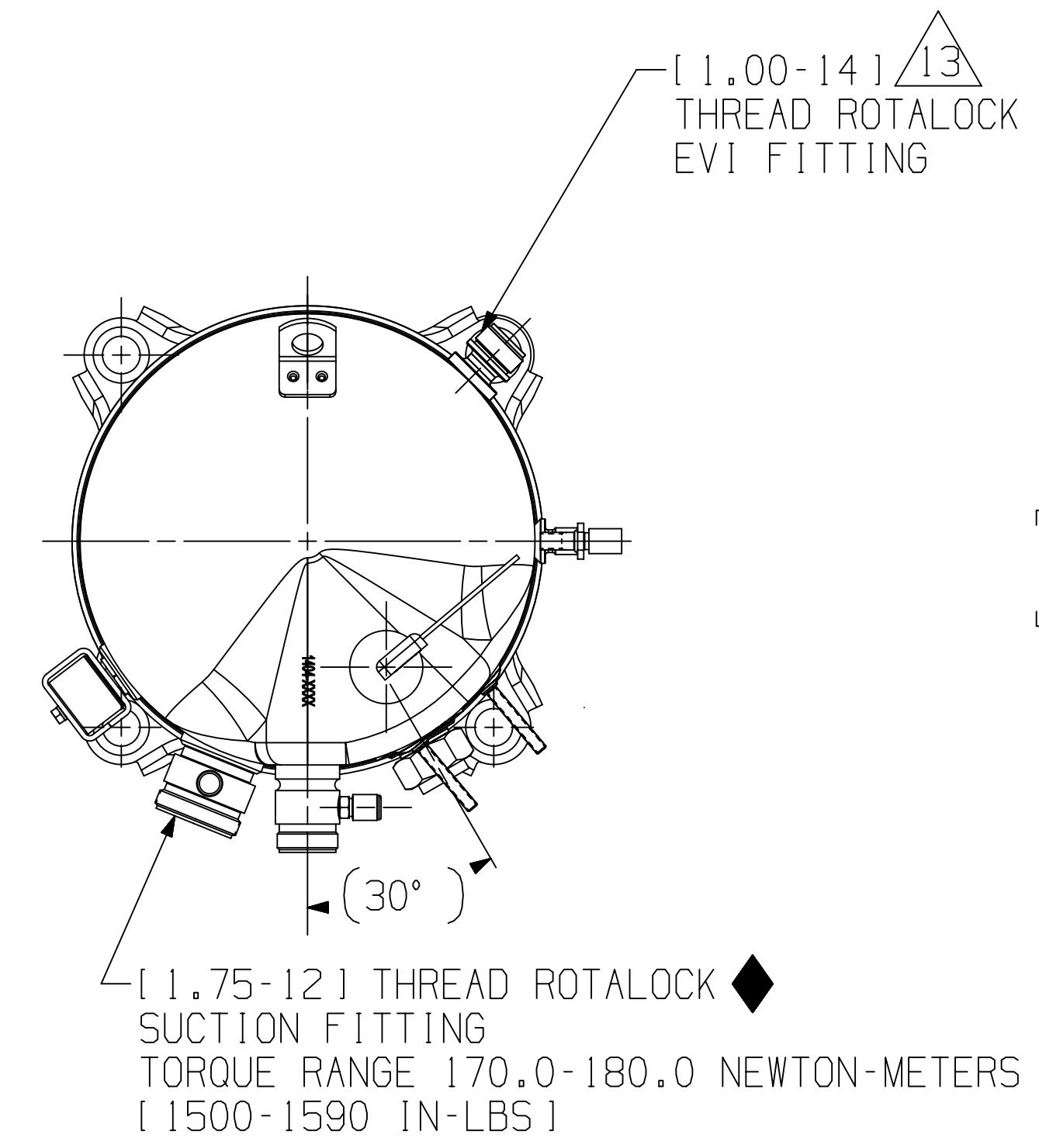
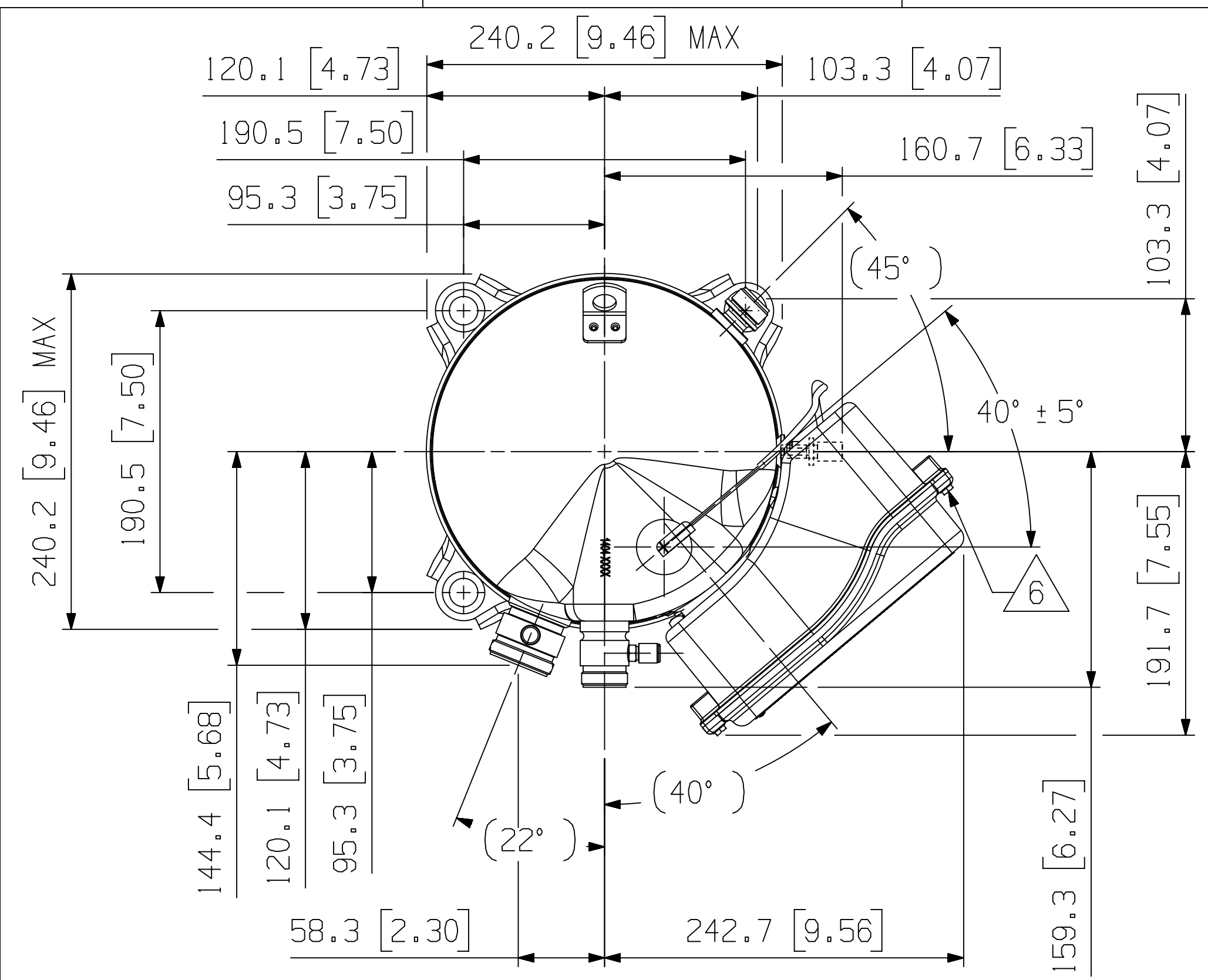
UNLESS OTHERWISE SPECIFIED DIMENSIONS ARE MILLIMETER OR (1 INCH)

TOLERANCES:

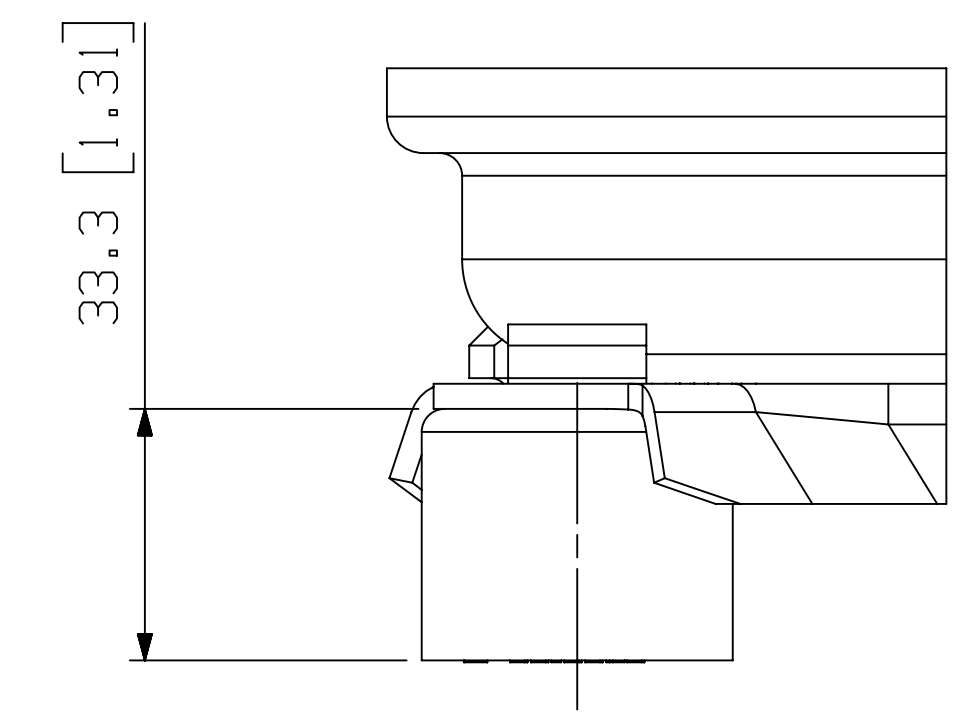
1-PLACE  $\pm$

2-PLACE  $\pm$

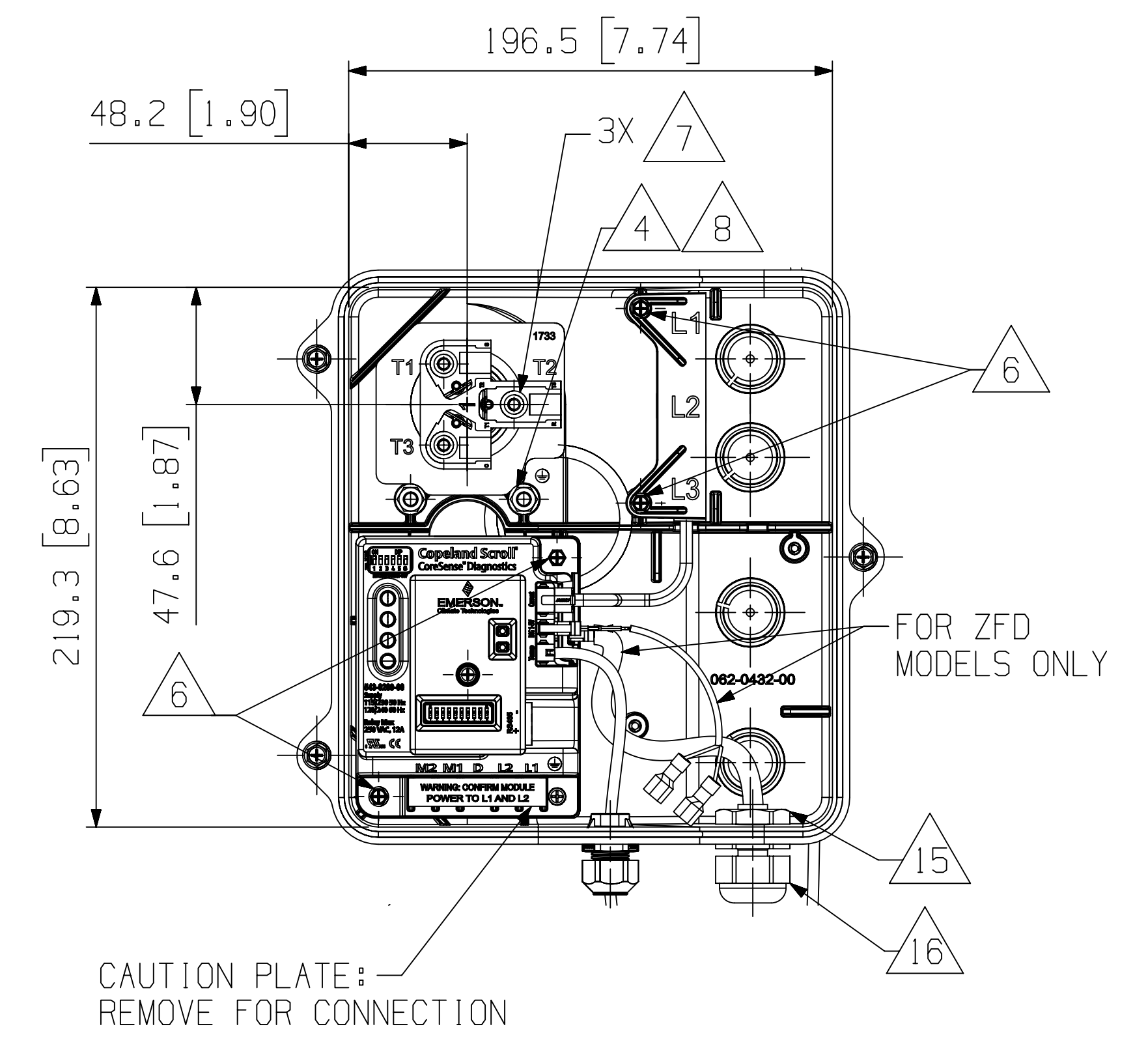
ANGULAR  $\pm$



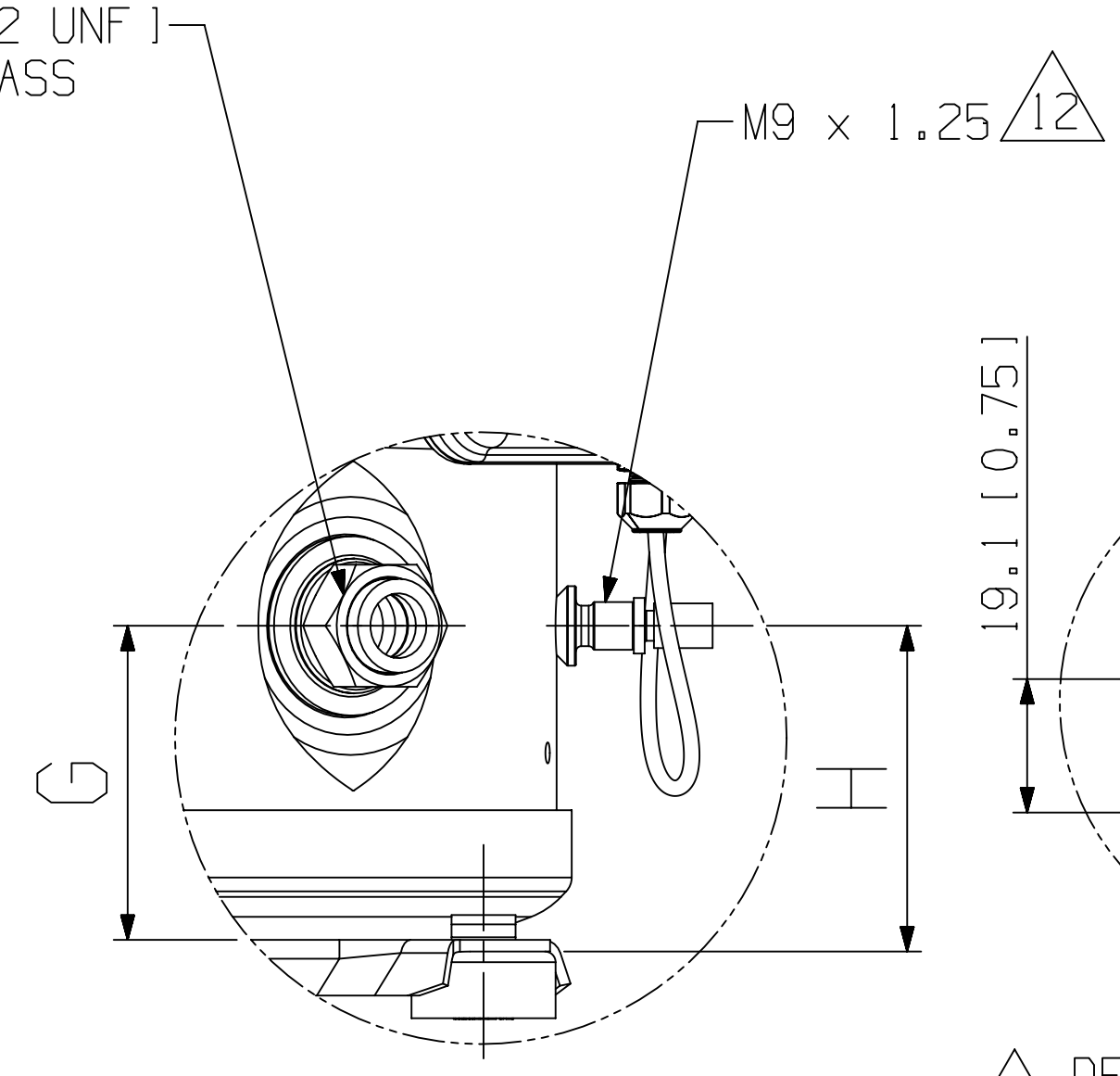
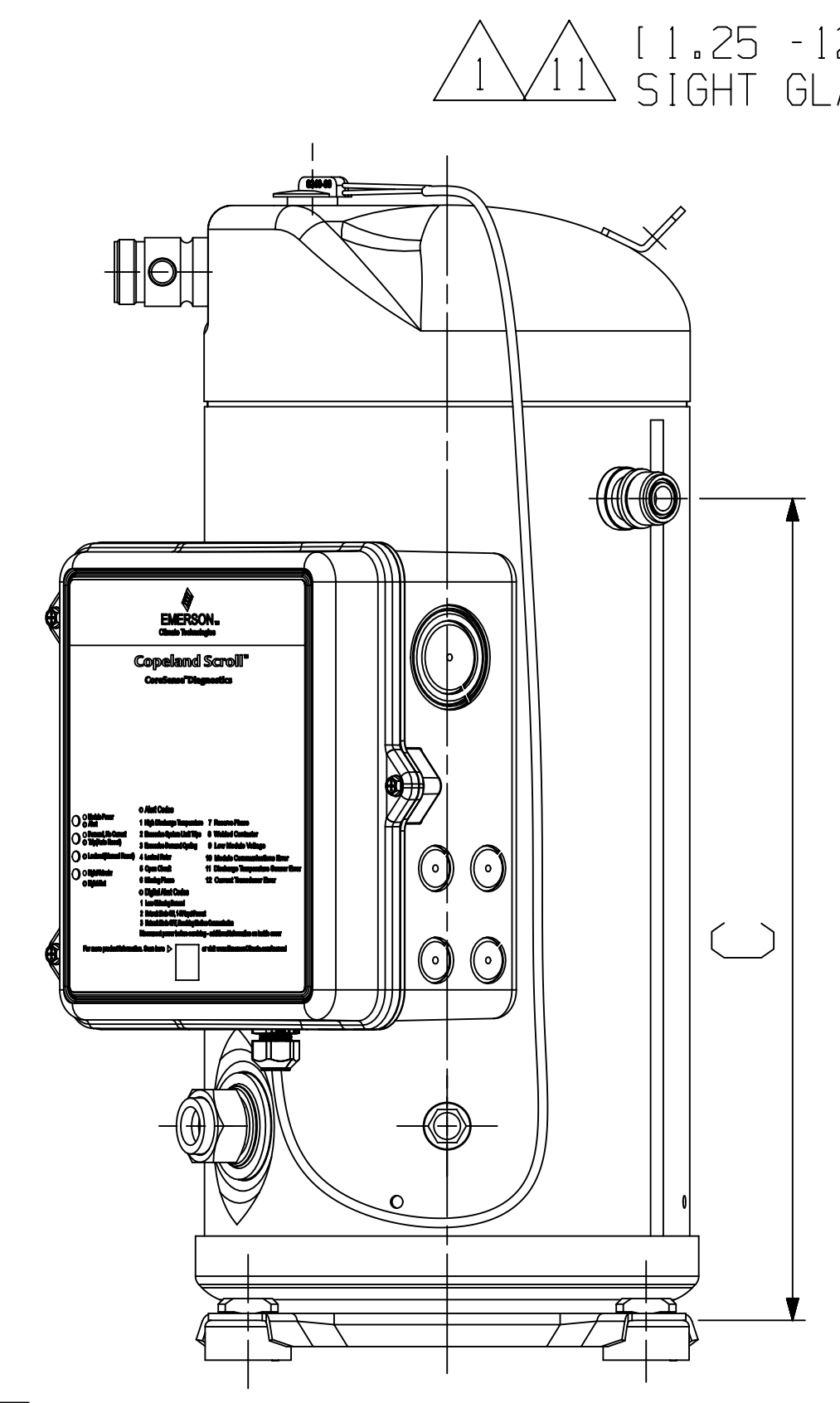
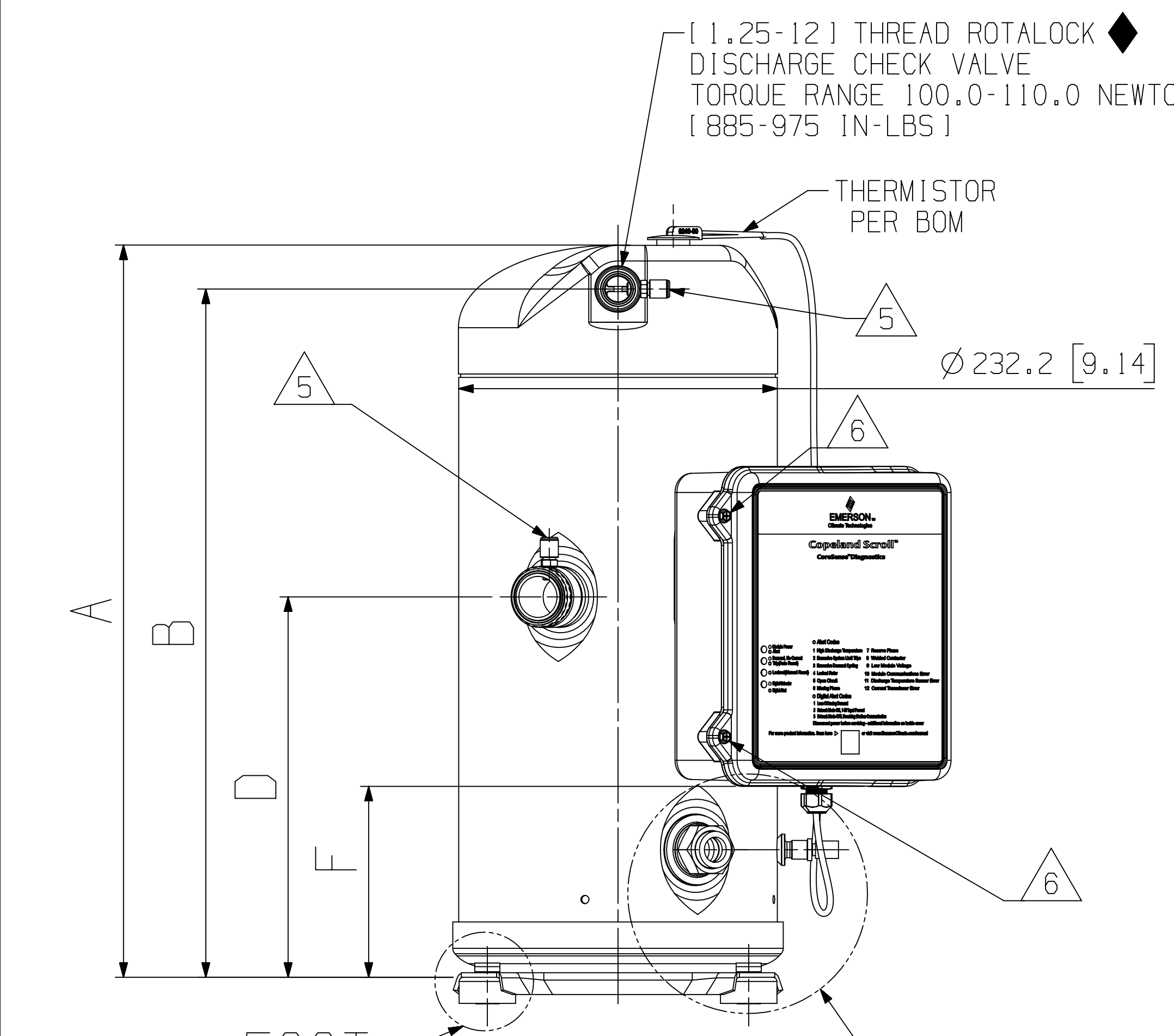
SIGHTGLASS LAYOUT  
T-BOX REMOVED



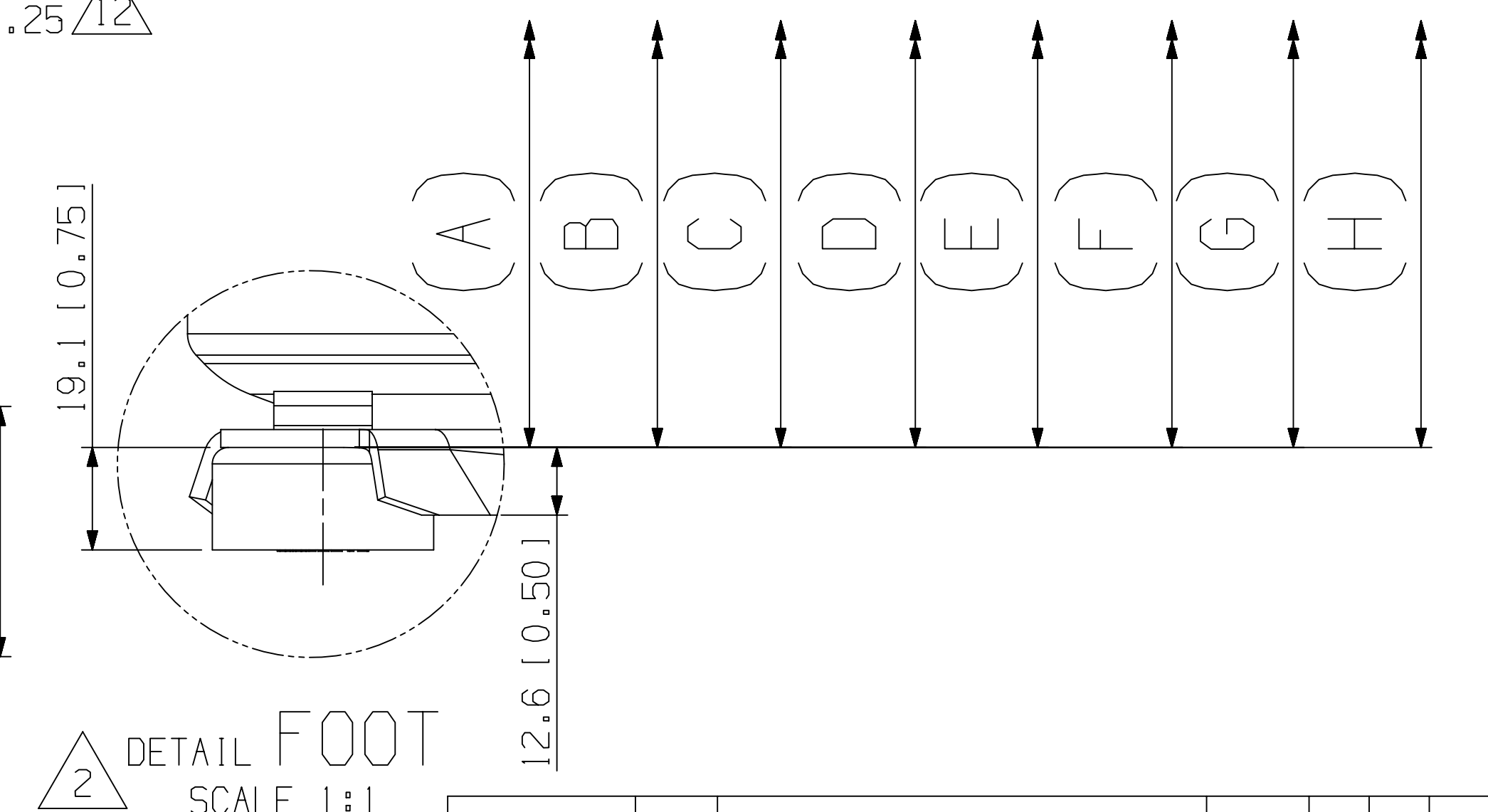
DETAIL FOOT 14  
SCALE 1:1  
ONLY FOR ZF49/54K5E & ZFD54K5E 18



T-BOX LAYOUT  
COVER REMOVED  
SCALE 1:2



DETAIL VALVE  
SCALE 1:2



DETAIL FOOT 2  
SCALE 1:1

SEE DETAIL FOOT

SEE DETAIL VALVE



INTERPRET PER ASME Y14.5M-1994 AND EMERSON CLIMATE TECHNOLOGIES, INC. DESIGN STANDARDS DS2002  
DO NOT SCALE DRAWING  
THIRD ANGLE PROJECTION  
CRITICAL PRODUCT CHARACTERISTICS  
UNLESS OTHERWISE SPECIFIED DIMENSIONS ARE MILLIMETER OR (1 INCH)  
TOLERANCES:  
1-PLACE ±  
2-PLACE ±  
ANGULAR ±

ENG NOTICE NO.	REV. NO.	REVISIONS	DATE	BY	CHKD	APPR
ECN102466	19	PICTORIALLY REVISED PRINT	08-29-16	AMN	PR1	SBM
ECN100066	18	REDRAWN & OBSOLETE -05	04-07-16	BSS	PR1	KK
ECN001479	0	RELEASED	12-09-09	YKN	DC	MG

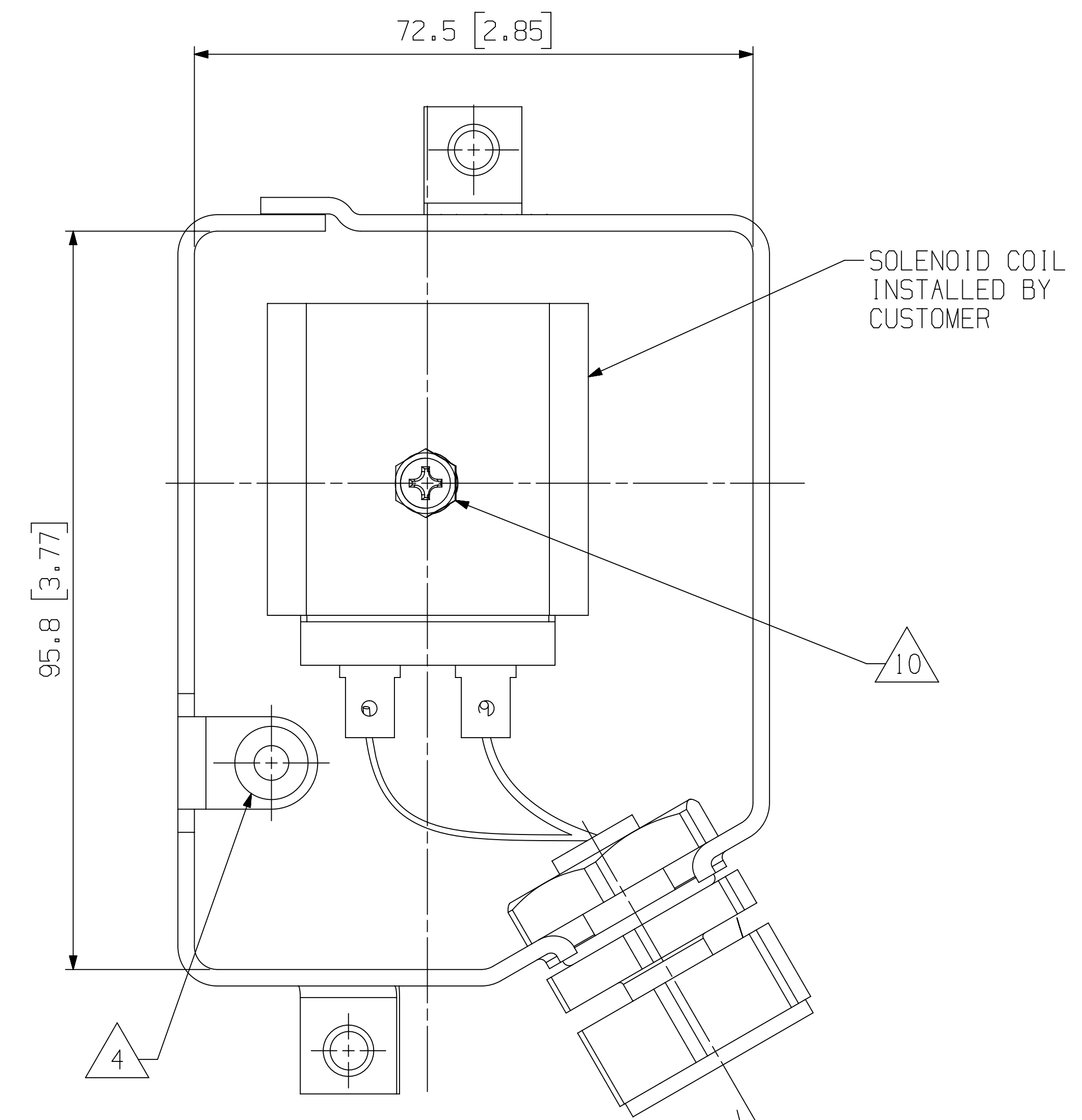
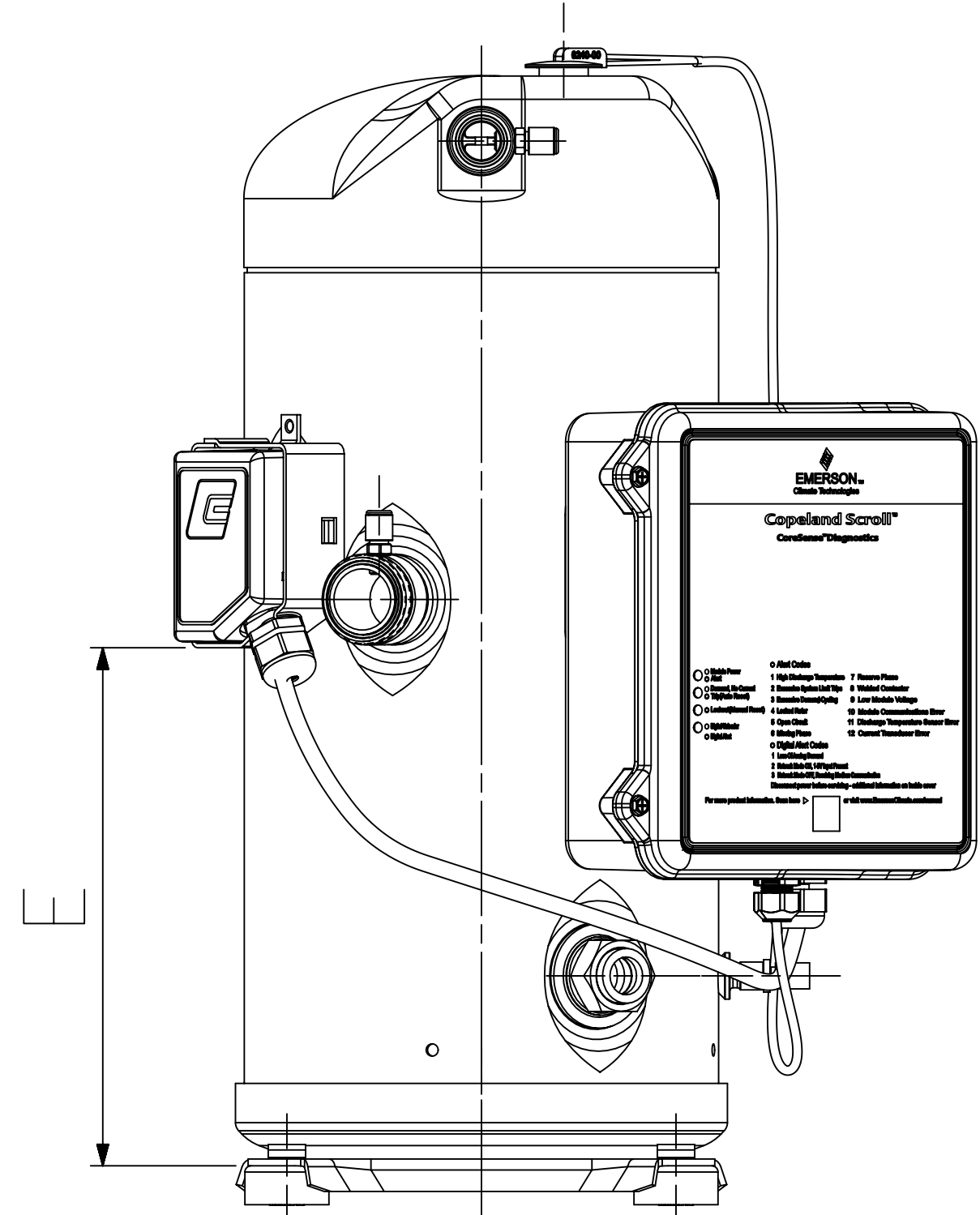
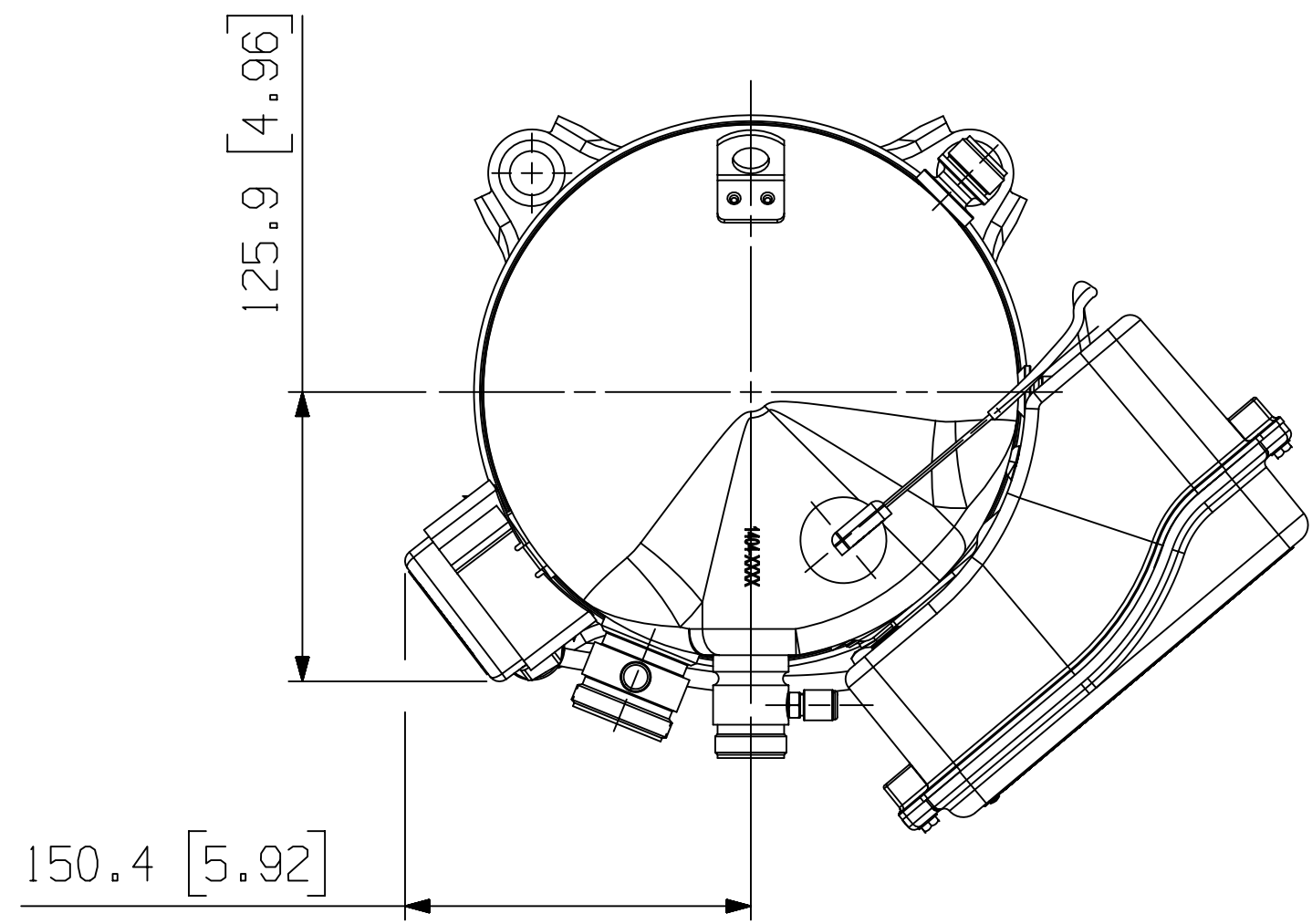
CONFIDENTIALITY NOTICE

15 THIS DRAWING AND INFORMATION CONTAINED HEREIN ARE THE EXCLUSIVE PROPERTY OF EMERSON CLIMATE TECHNOLOGIES, INC. AND SHALL BE RETURNED UPON DEMAND AND SHALL NOT BE REPRODUCED, IN WHOLE OR IN PART, DISCLOSED TO ANYONE ELSE OR USED, WITHOUT THE WRITTEN CONSENT OF EMERSON CLIMATE TECHNOLOGIES, INC.

MATERIAL SPECIFICATION	DRAWN BY	SUPERSEDES DWG. NO. / REV. NO.
N/A	BSS	497-0897-00/017
	DATE	SCALE
	04-07-16	1:3
TITLE	DRAWING NUMBER	DATE FORMAT: MM-DD-YY
REF DWG-FINAL ASSM	497-0897-00	MM-DD-YY

SHEET 2 OF 4 DWG  
4 SIZE

PART NUMBER  
497-0897-03



SOLENOID VALVE T-BOX  
SCALE 2:1

ENG NOTICE NO.	REV.NO.	REVISIONS	DATE	BY	CHKD	APPR
ECN102466	19	PICTORIALLY REVISED PRINT	08-29-16	AMN	PR1	SBM
ECN100066	18	SEE SHEET 1, 2 & 4	04-07-16	BSS	PR1	KK
ECN001479	0	RELEASED	12-09-09	YKN	DC	MG

CONFIDENTIALITY NOTICE			
15 THIS DRAWING AND INFORMATION CONTAINED HEREIN ARE THE EXCLUSIVE PROPERTY OF EMERSON CLIMATE TECHNOLOGIES, INC. AND SHALL BE RETURNED UPON DEMAND AND SHALL NOT BE REPRODUCED IN WHOLE OR IN PART DISCLOSED TO ANYONE ELSE OR USED, WITHOUT THE WRITTEN CONSENT OF EMERSON CLIMATE TECHNOLOGIES, INC.			
MATERIAL SPECIFICATION	DRAWN BY	SUPERSEDES DWG. NO. / REV. NO.	
N/A	BSS	497-0897-00/017	
	DATE	SCALE	DATE FORMAT:
	04-07-16	1:3	MM-DD-YY
TITLE	DRAWING NUMBER	SHEET 3 OF 4 DWG	
REF DWG-FINAL ASSM	497-0897-00	4	
		SIZE	

EMERSON  
Climate Technologies

Copeland  
brand products

INTERPRET PER ASME  
Y14.5M-1994 AND  
EMERSON CLIMATE  
TECHNOLOGIES, INC.  
DESIGN STANDARDS DS2002

DO NOT SCALE DRAWING

CRITICAL PRODUCT CHARACTERISTICS

THIRD ANGLE PROJECTION

UNLESS OTHERWISE SPECIFIED  
DIMENSIONS ARE MILLIMETER OR (1 INCH)

TOLERANCES:  
1-PLACE ±  
2-PLACE ±  
ANGULAR ±

1

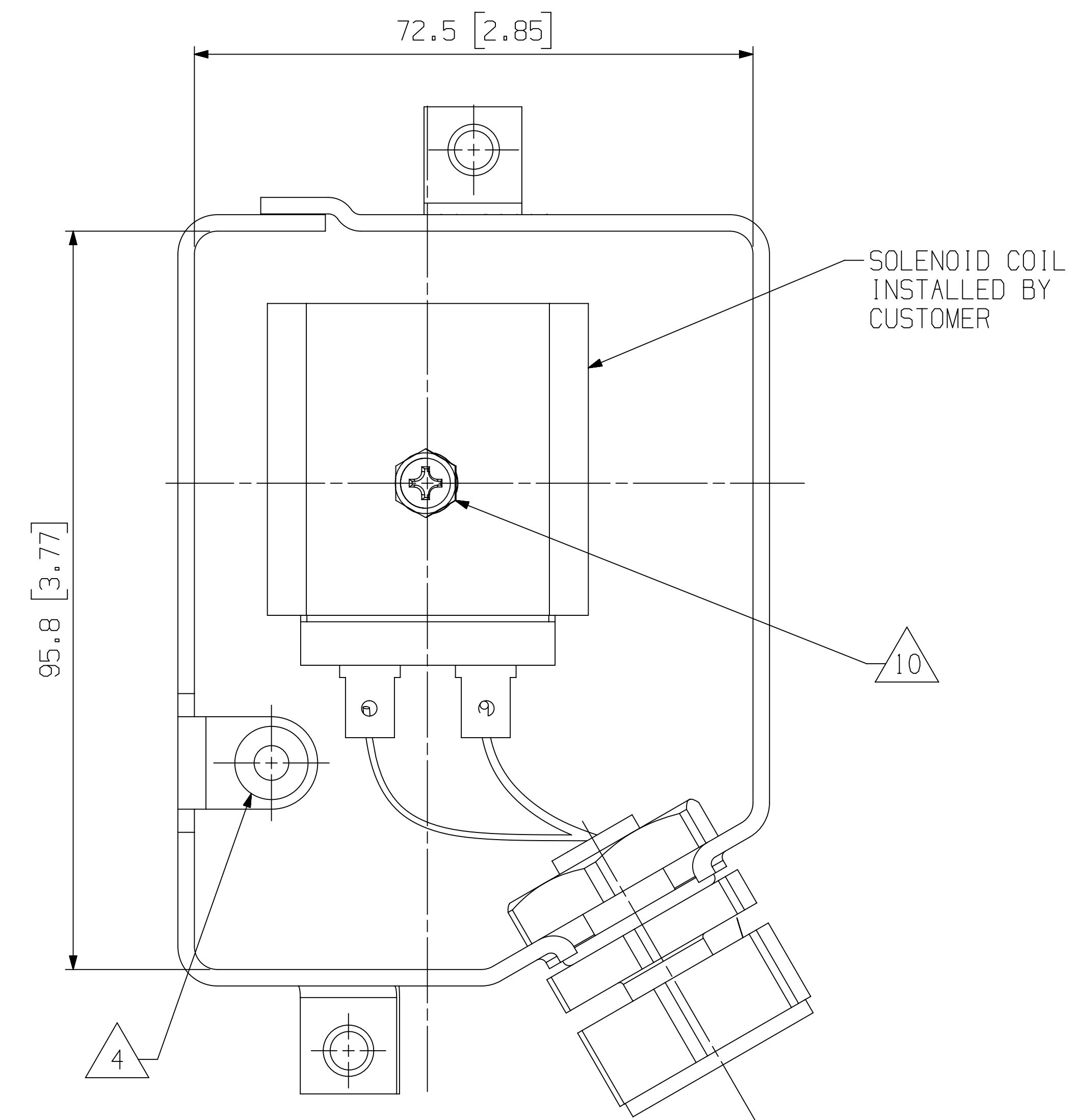
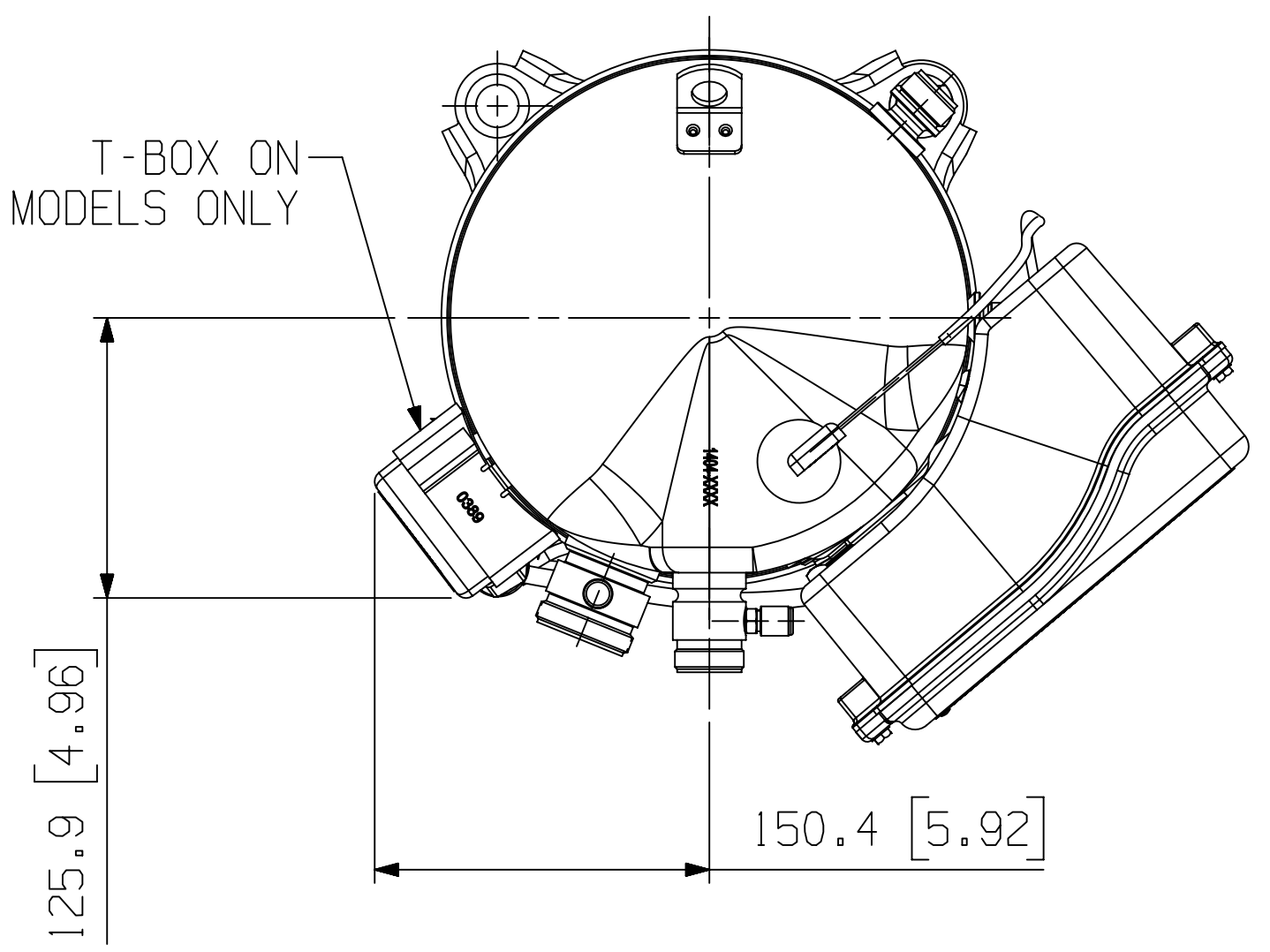
PART NUMBER

497-0897-04

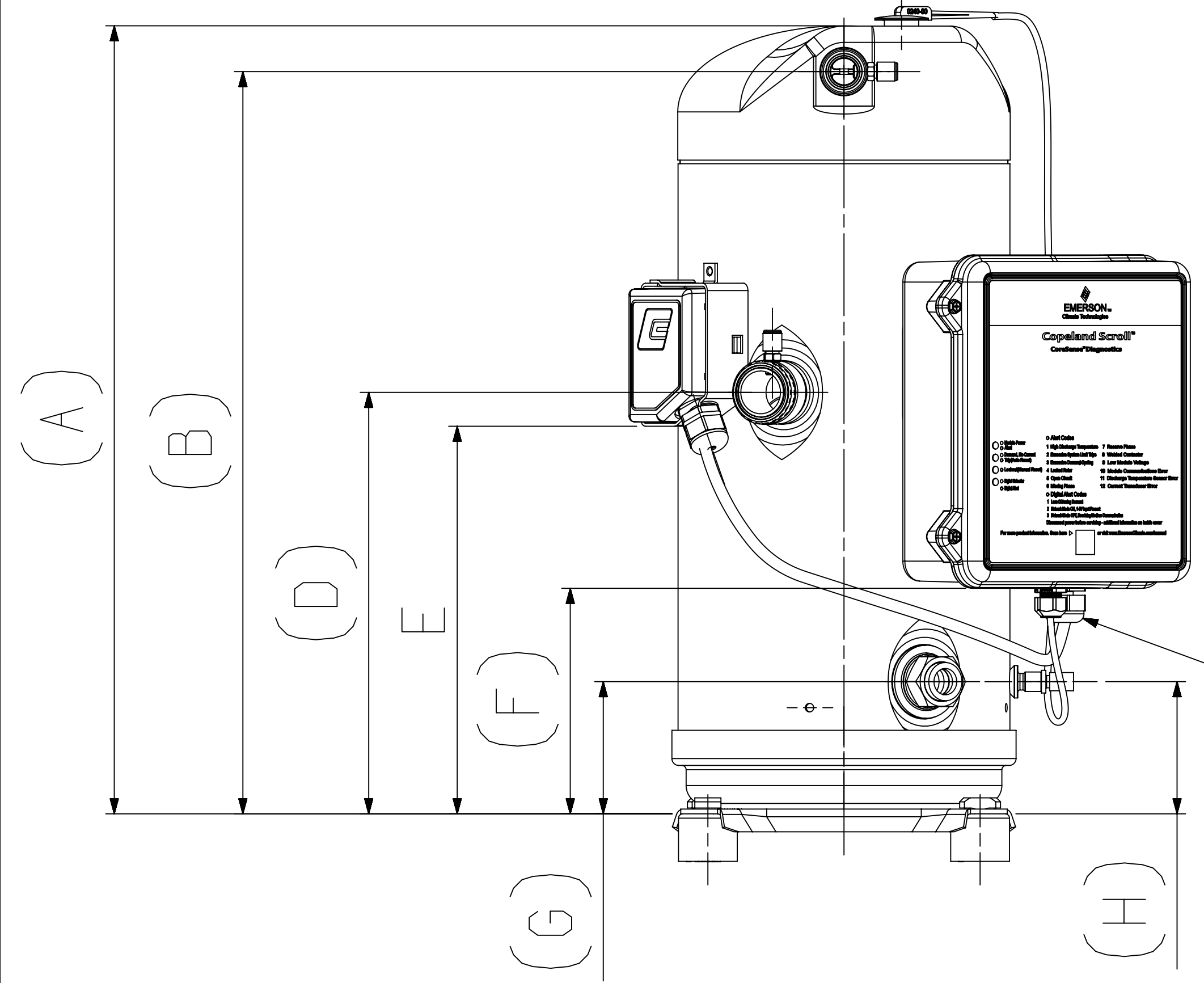
497-0897-05

18

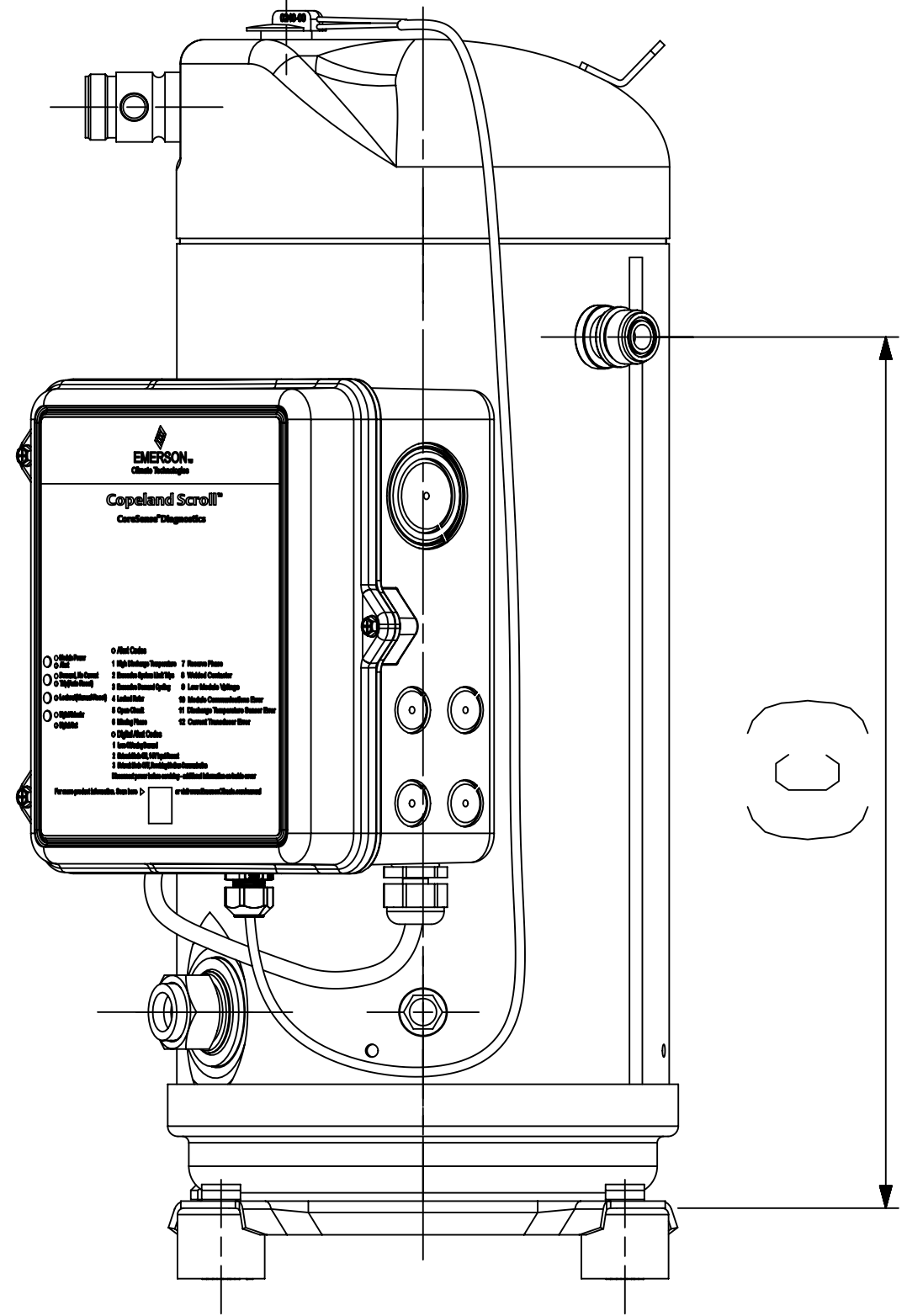
T-BOX ON ZFD MODELS ONLY



SOLENOID VALVE T-BOX SCALE 2:1



DIGITAL TRAY CABLE ON ZFD MODELS ONLY



ENG NOTICE NO.	REV.NO.	REVISIONS	DATE	BY	CHKD	APPR
ECN102466	19	PICTORIALLY REVISED PRINT	08-29-16	AMN	PRI	SBM
ECN100066	18	REDRAWN & OBSOLETE -05	04-07-16	BSS	PRI	KK
ECN001479	0	RELEASED	12-09-09	YKN	DC	MG

CONFIDENTIALITY NOTICE			
15	THIS DRAWING AND INFORMATION CONTAINED HEREIN ARE THE EXCLUSIVE PROPERTY OF EMERSON CLIMATE TECHNOLOGIES, INC. AND SHALL BE RETURNED UPON DEMAND AND SHALL NOT BE REPRODUCED IN WHOLE OR IN PART DISCLOSED TO ANYONE ELSE OR USED, WITHOUT THE WRITTEN CONSENT OF EMERSON CLIMATE TECHNOLOGIES, INC.		
MATERIAL SPECIFICATION	DRAWN BY	SUPERSEDES DWG. NO. / REV. NO.	
N/A	BSS	497-0897-00/017	
	DATE	SCALE	DATE FORMAT:
	04-07-16	1:3	MM-DD-YY
TITLE	DRAWING NUMBER	SHEET 4 OF 4 DWG	
REF DWG-FINAL ASSM	497-0897-00	4	
		SIZE	

EMERSON  
Climate Technologies

Copeland™  
brand products

INTERPRET PER ASME Y14.5M-1994 AND EMERSON CLIMATE TECHNOLOGIES, INC. DESIGN STANDARDS DS2002

DO NOT SCALE DRAWING

THIRD ANGLE PROJECTION

CRITICAL PRODUCT CHARACTERISTICS

UNLESS OTHERWISE SPECIFIED DIMENSIONS ARE MILLIMETER OR (1 INCH)

TOLERANCES:

1- PLACE ±

2- PLACE ±

ANGULAR ±

1