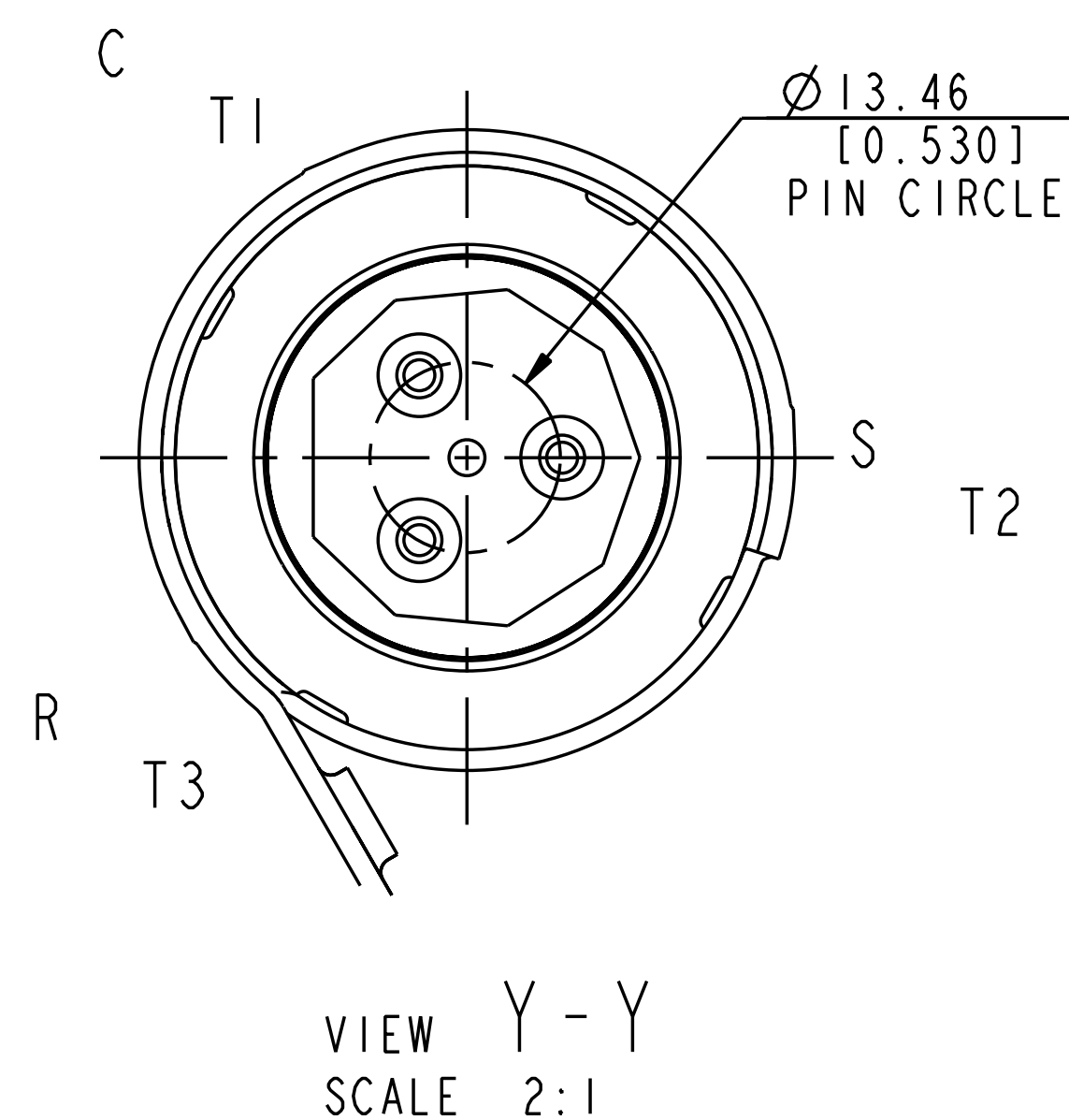
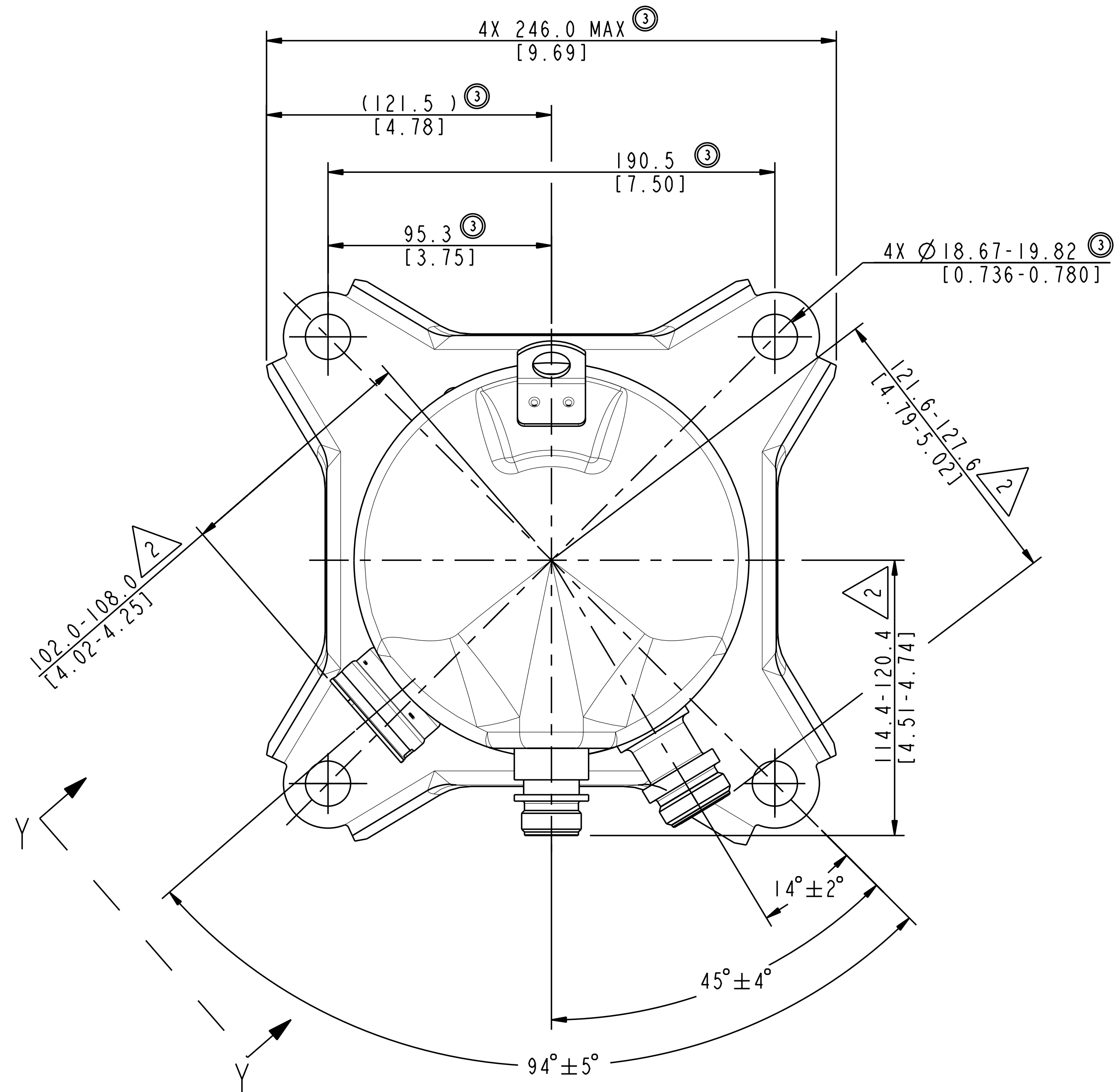


MODEL NUMBER

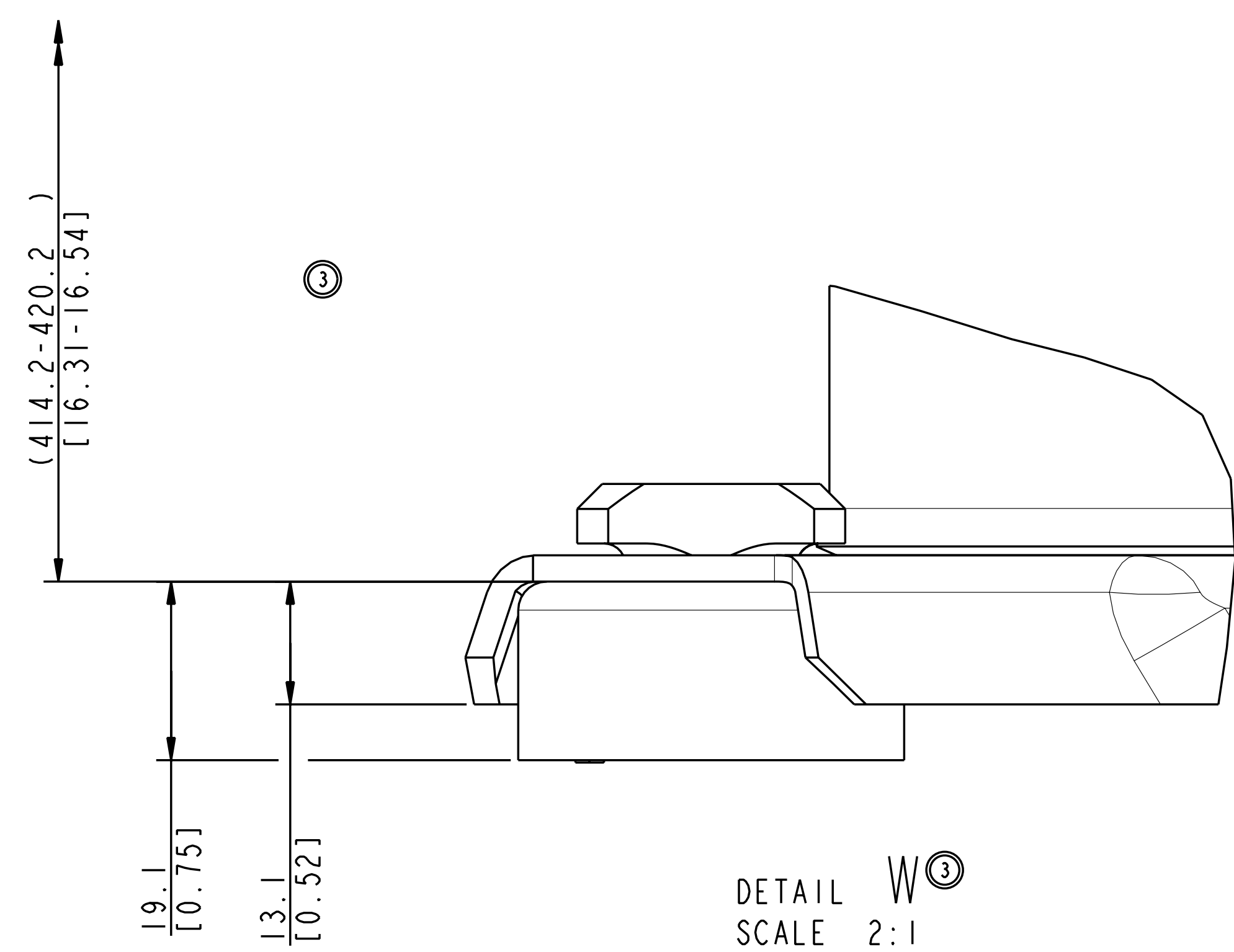
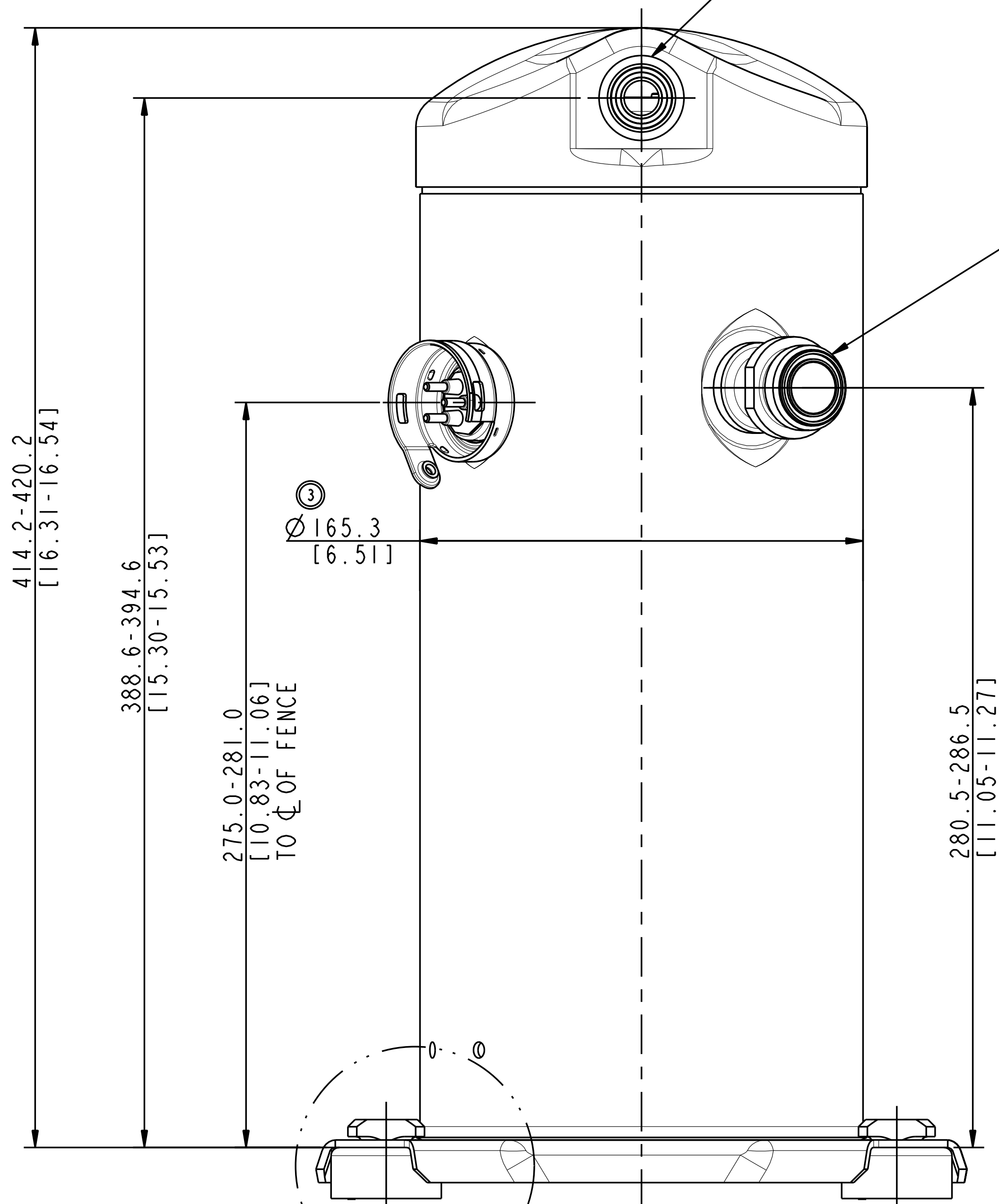
- ④ ZR38K5E-PFV/TF5/TFD/TFE/PFJ
- ④ ZR54K5-PFV/TF5/TFD/TFE
- ④ ZR38K5-PFV/TF5/TFD
- ④ ZR42K5-PFV/TF5/TFD/TFE
- ④ ZR44K5-PFV/TF5/TFD
- ④ ZR48K5-PFV/TF5/TFD/TFE

SPECIFICATIONS	
ES NO.	DESCRIPTION
ES92-155	CONVERSION-METRIC



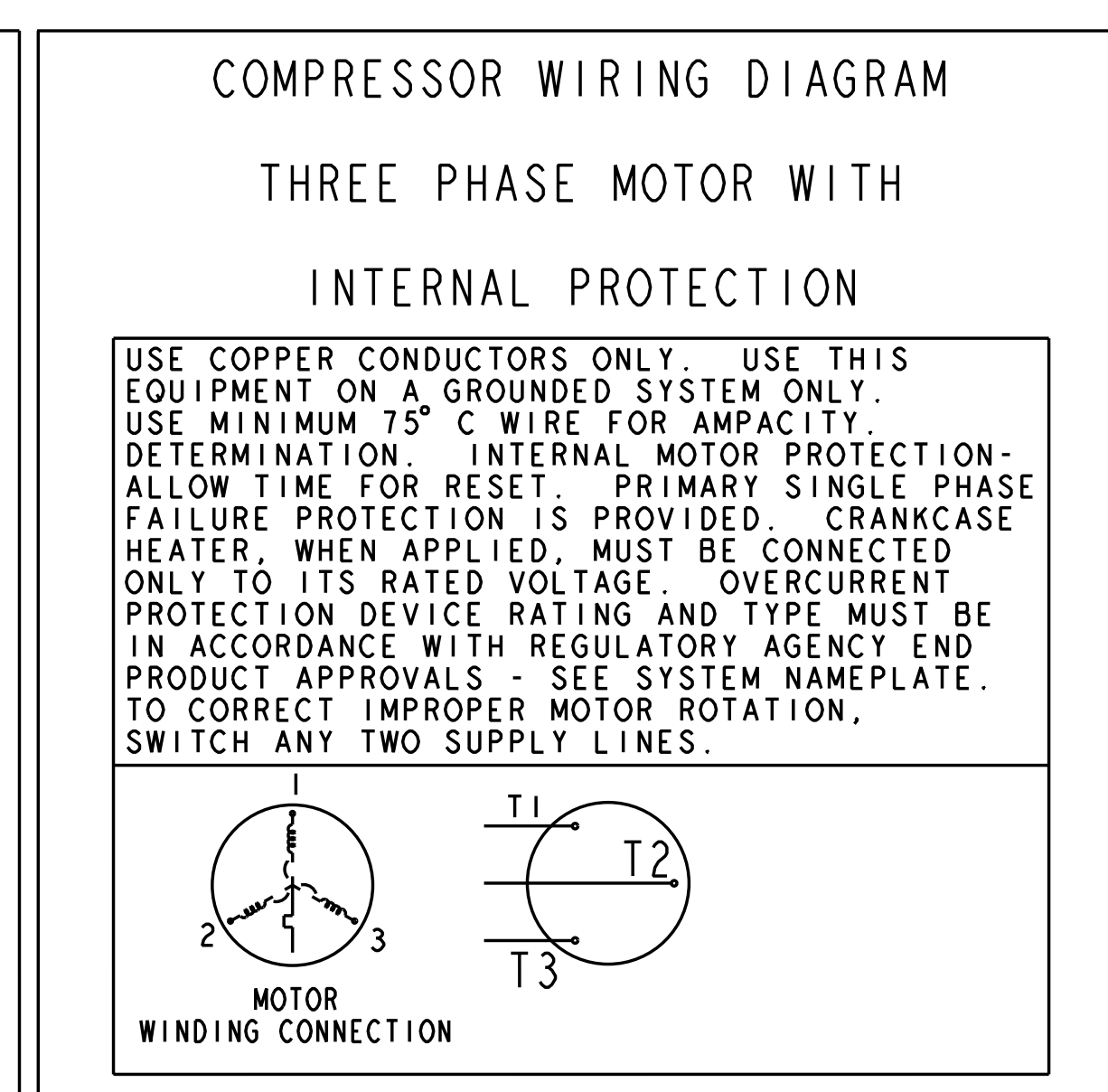
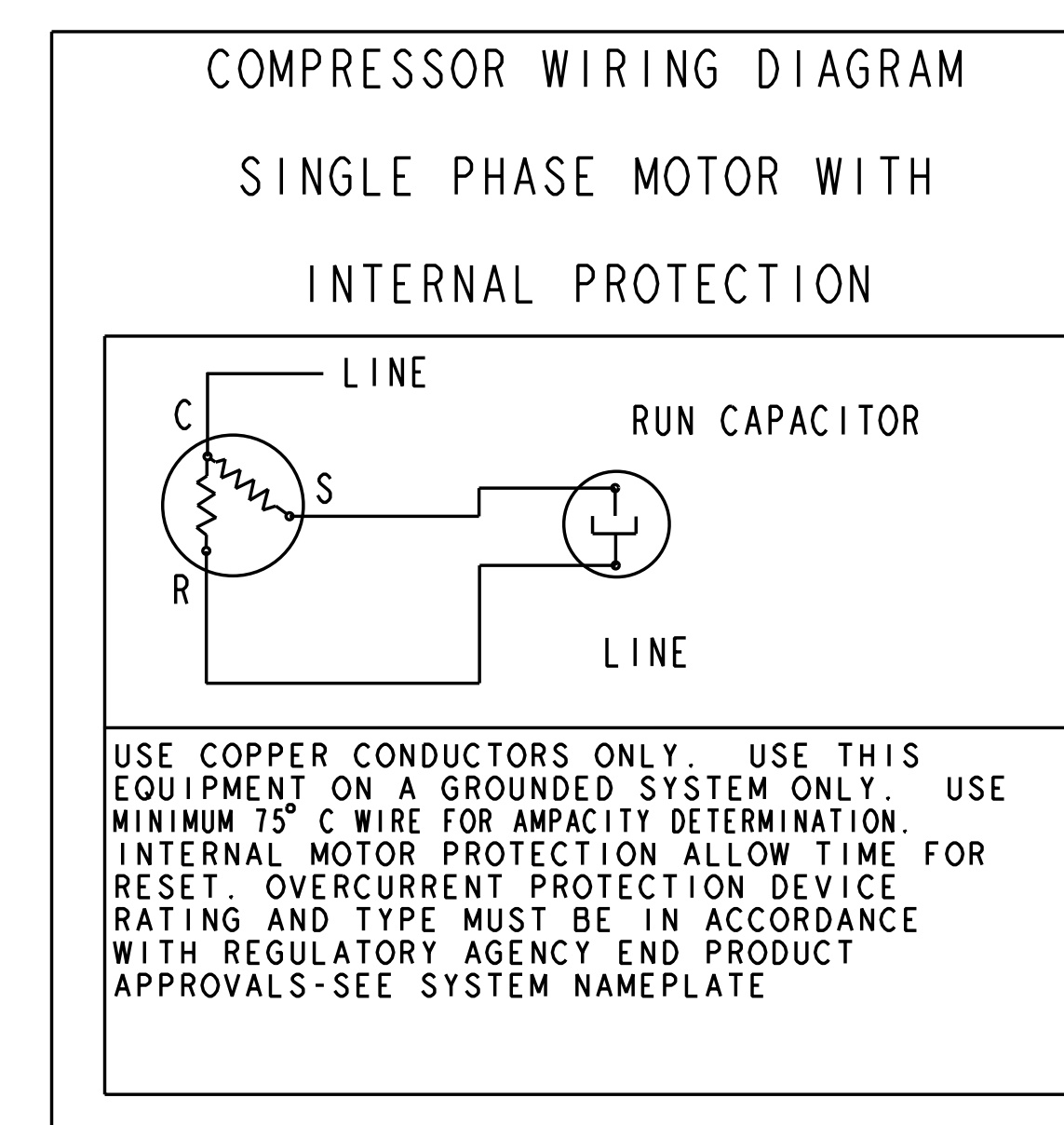
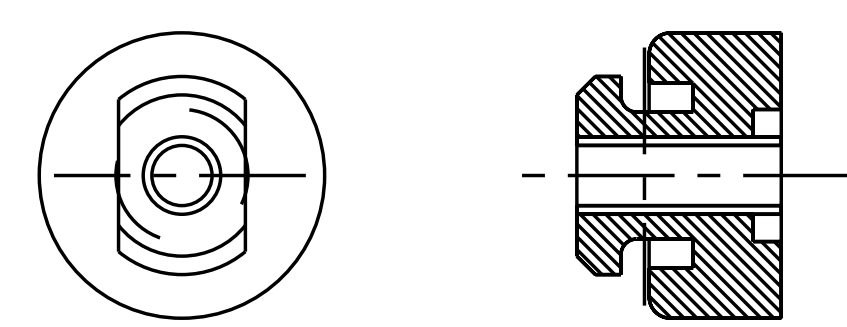
25.4 [1.00] THREAD
ROTALOCK SPUD DISCHARGE
TORQUE RANGE
20.3-33.9 NEWTON-METERS
[180-300 in-lb]

31.75 [1.250] THREAD
ROTALOCK SPUD SUCTION
TORQUE RANGE
27.1-40.7 NEWTON-METERS
[240-360 in-lb]



- NOTES:
- 1 ALL TOLERANCES ± 1.50 [0.060] UNLESS OTHERWISE SPECIFIED.
 - 2 THE SUCTION TUBE, DISCHARGE TUBE, AND FENCE RADIAL DIMENSIONS ARE TO BE GAUGED FROM THE CENTER OF THE MOUNTING HOLE PATTERN.
 3. TUBE ENDS MUST BE PLUGGED.
 4. MOUNTING KIT:

GROMMET DUROMETER	4 FOOT KIT
35-45	527-0116-00



INTERPRET PER ASME Y14.5M-1994 AND EMERSON CLIMATE TECHNOLOGIES, INC. DESIGN STANDARDS DS2002 DO NOT SCALE DRAWING

CRITICAL PRODUCT CHARACTERISTIC

THIRD ANGLE PROJECTION

UNLESS OTHERWISE SPECIFIED DIMENSIONS ARE MILLIMETER OR (INCH)

TOLERANCES:
1-PLACE \pm
2-PLACE \pm
ANGULAR \pm

ECN	REV. NO.	DESCRIPTION	DATE	BY	CHKD	APPR
ECN007310	4	ADDED ZR38K5E-PFJ	07-03-13	PBM	BR	KJR
ECN004782	3	MODIFIED DIMENSIONS	11-30-11	PBM	BR	KJR
ECN003829	2	ADDED ZR48K5-TFE	05-02-11	PBM	BR	KJR
ECN003383	1	ADDED MODELS	02-01-11	PBM	BR	KJR
ECN003152	0	RELEASED	11-29-10	MPK	BR	KJR

ENG NOTICE NO. REV. NO. REVISIONS DATE BY CHKD APPR

CONFIDENTIALITY NOTICE

THIS DRAWING AND INFORMATION CONTAINED HEREIN ARE THE EXCLUSIVE PROPERTY OF EMERSON CLIMATE TECHNOLOGIES, INC. AND SHALL BE RETURNED UPON DEMAND AND SHALL NOT BE REPRODUCED IN WHOLE OR IN PART, DISCLOSED TO ANYONE ELSE OR USED, WITHOUT THE WRITTEN CONSENT OF EMERSON CLIMATE TECHNOLOGIES, INC.

MATERIAL SPECIFICATION

DRAWN BY: MPK
DATE: 11-29-10
SUPERSEDES DWG. NO. / REV. NO.:
SCALE: 3:4
DATE FORMAT: MM-DD-YY

TITLE: REF DWG-WELD COMP ASSM
DRAWING NUMBER: 497-1041-00
SHEET 1 OF 1
DWG SIZE: 5