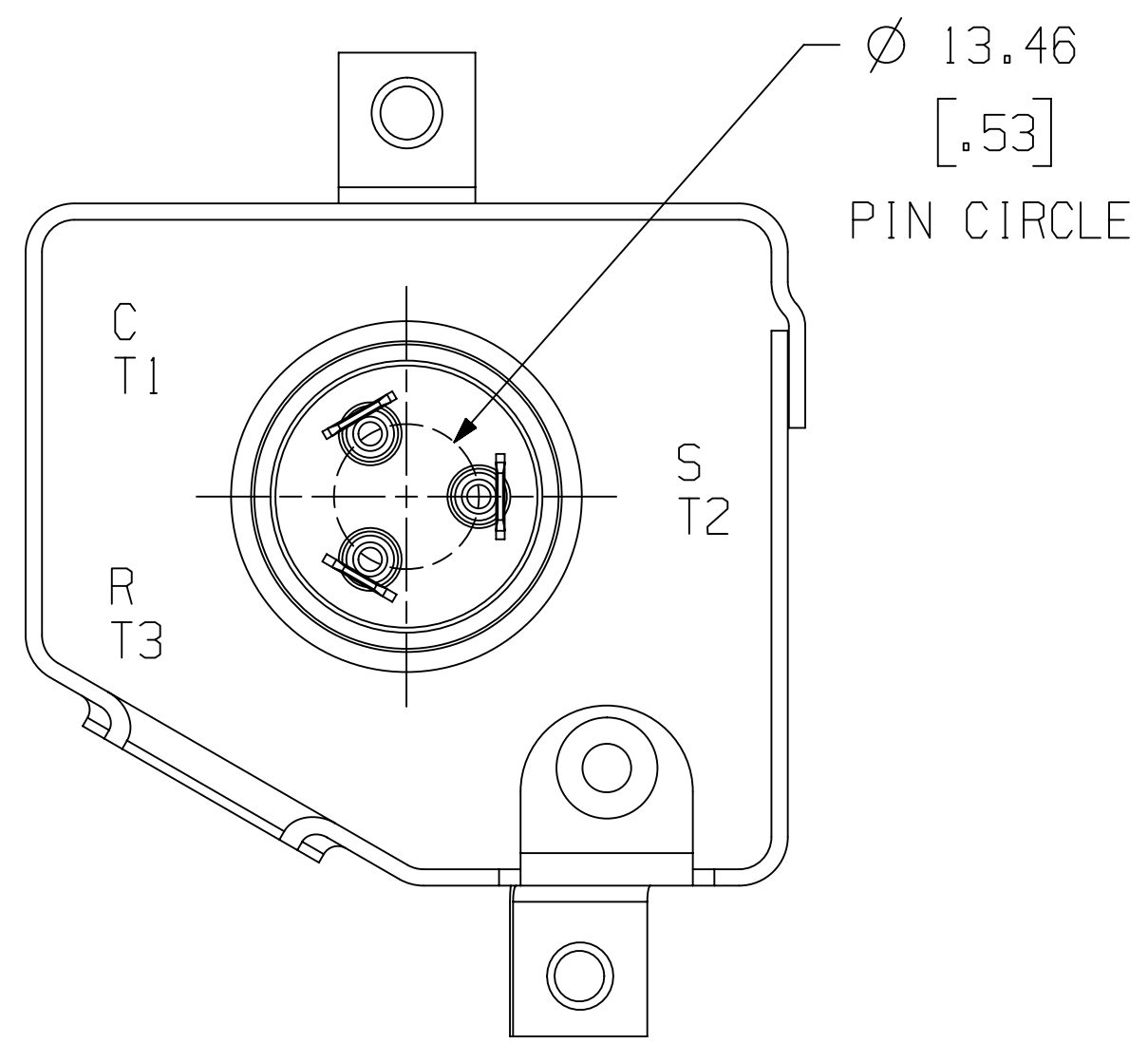
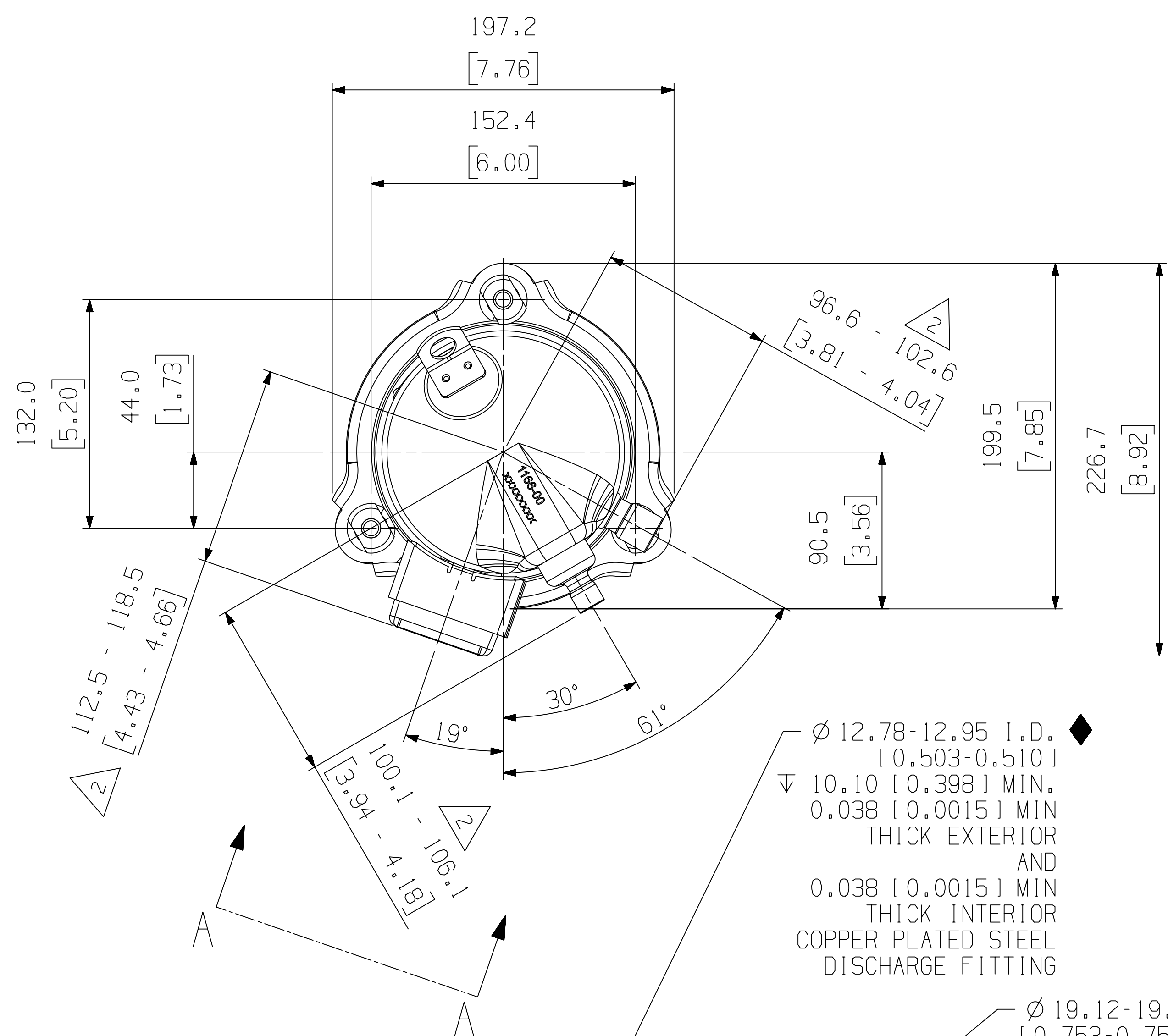


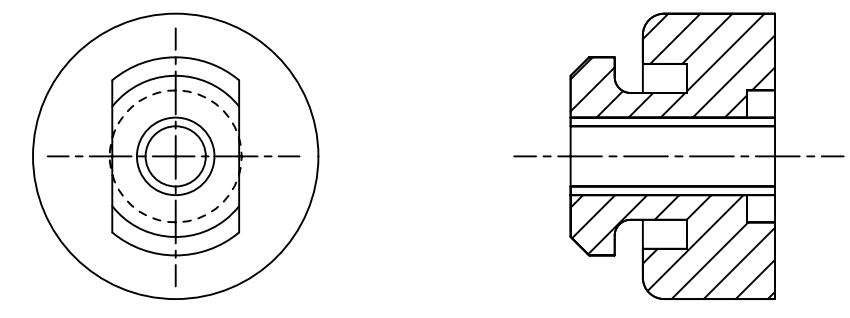
MODEL NUMBER
ZS09KAE
ZS11KAE
ZS13KAE
ZS15KAE
ZS19KAE

SPECIFICATIONS	
ES NO.	DESCRIPTION
ES92-155	CONVERSION-METRIC



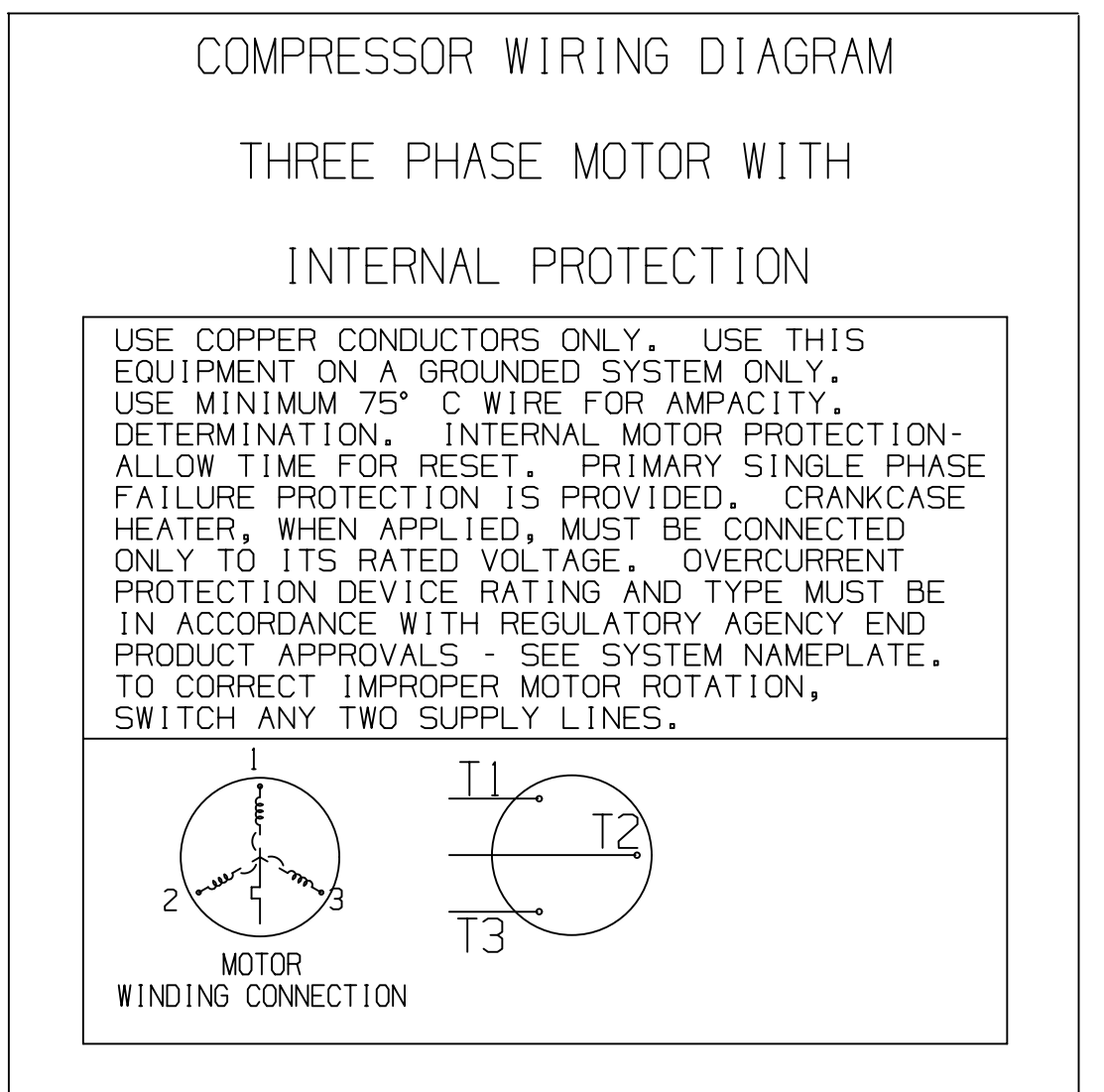
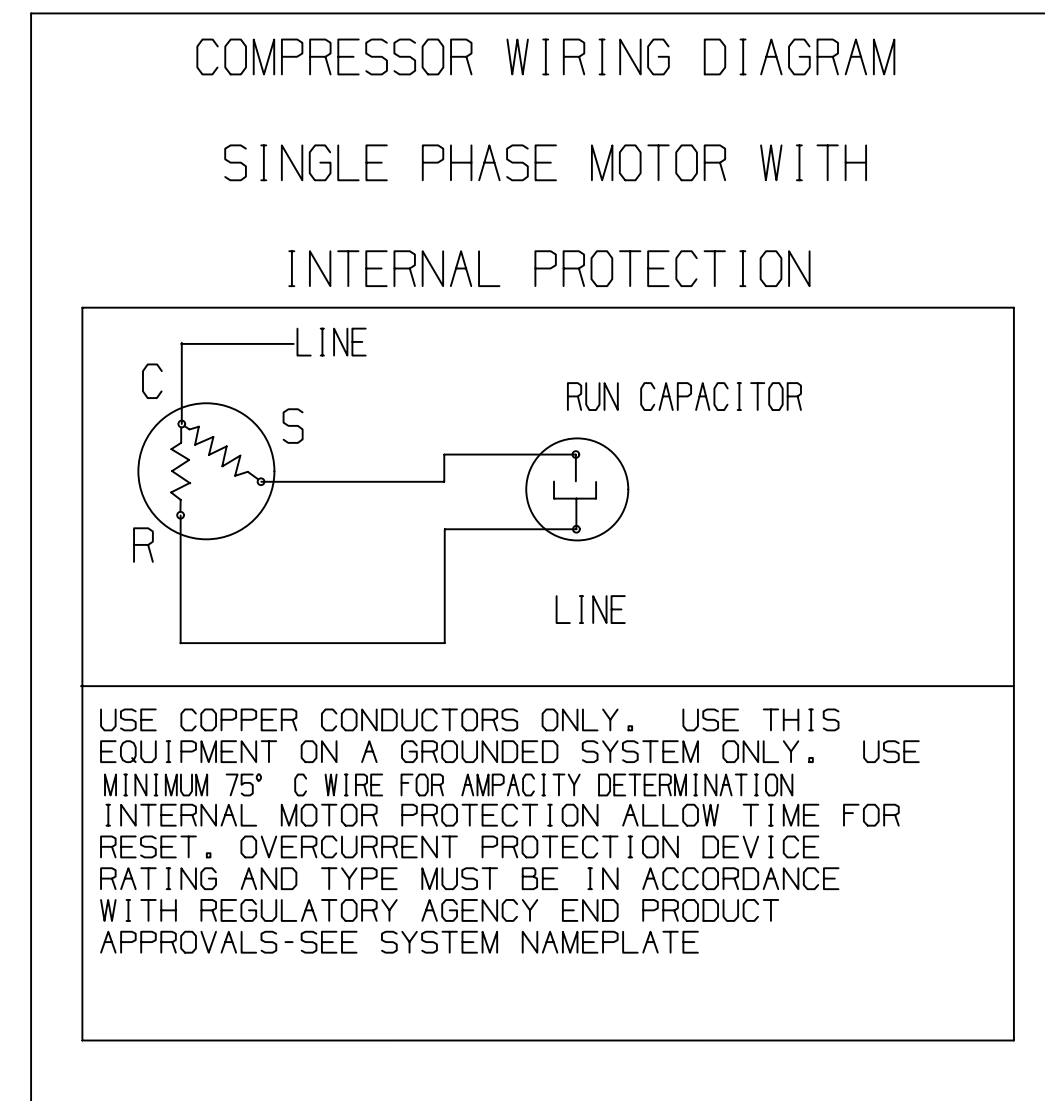
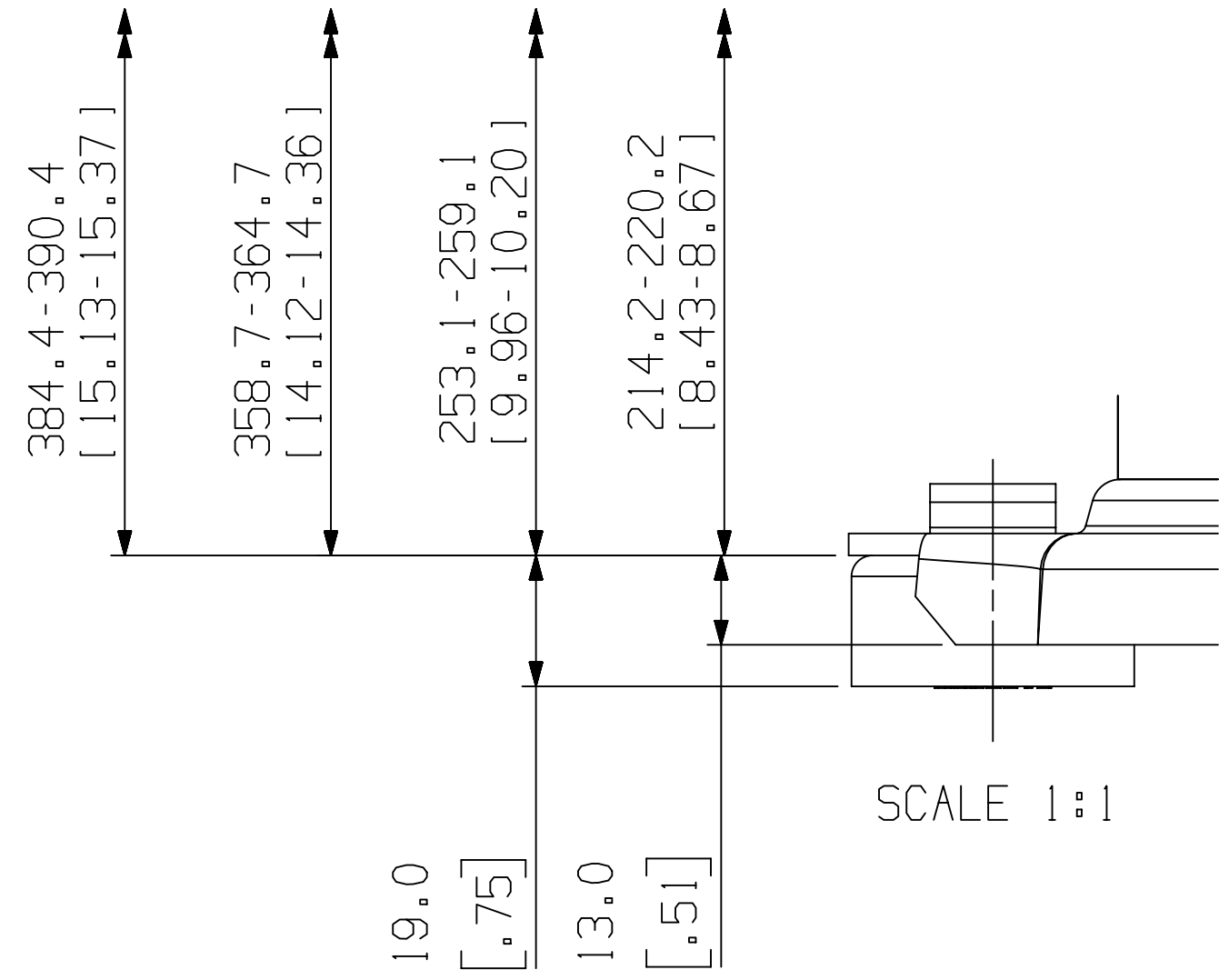
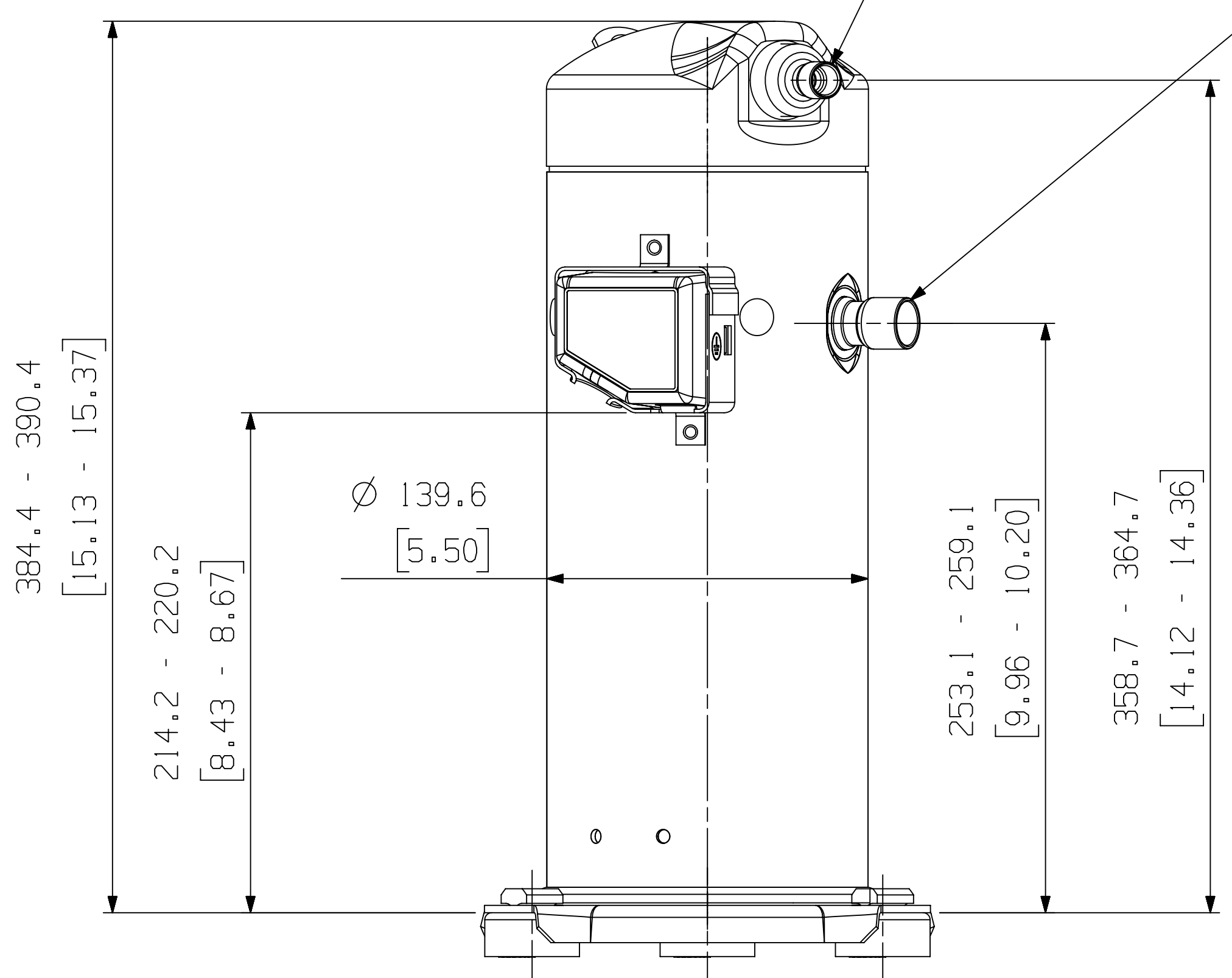
- NOTES:
- ALL TOLERANCES ± 1.50 (0.060) UNLESS OTHERWISE SPECIFIED.
 - THE SUCTION TUBE, DISCHARGE TUBE, RADIAL DIMENSIONS ARE TO BE GAUGED FROM THE CENTER OF THE MOUNTING HOLE PATTERN.
 - TUBE ENDS MUST BE PLUGGED.
 - MOUNTING KIT:

GROMMET DUROMETER	3 FOOT KIT
35-45	527-0116-05



$\varnothing 12.78-12.95$ I.D. \blacklozenge
 [0.503-0.510]
 $\nabla 10.10$ [0.398] MIN.
 0.038 [0.0015] MIN THICK EXTERIOR AND 0.038 [0.0015] MIN THICK INTERIOR COPPER PLATED STEEL DISCHARGE FITTING

$\varnothing 19.12-19.30$ I.D. \blacklozenge
 [0.753-0.759]
 $\nabla 16.00$ [0.630] MIN.
 0.038 [0.0015] MIN THICK EXTERIOR AND 0.038 [0.0015] MIN THICK INTERIOR COPPER PLATED STEEL SUCTION FITTING



INTERPRET PER ASME Y14.5M-1994 AND EMERSON CLIMATE TECHNOLOGIES, INC. DESIGN STANDARDS DS2002
 DO NOT SCALE DRAWING
 THIRD ANGLE PROJECTION
 CRITICAL PRODUCT CHARACTERISTICS
 UNLESS OTHERWISE SPECIFIED DIMENSIONS ARE MILLIMETER OR (1 INCH)
 TOLERANCES:
 1-PLACE \pm
 2-PLACE \pm
 ANGULAR \pm

ECN200115	0	RELEASED	04-01-16	JS	ML	VC
ENG NOTICE NO.	REV.NO.	REVISIONS	DATE	BY	CHKD	APPR
24 (FR53)						
CONFIDENTIALITY NOTICE						
THIS DRAWING AND INFORMATION CONTAINED HEREIN ARE THE EXCLUSIVE PROPERTY OF EMERSON CLIMATE TECHNOLOGIES, INC. AND SHALL BE RETURNED UPON DEMAND AND SHALL NOT BE REPRODUCED, IN WHOLE OR IN PART, DISCLOSED TO ANYONE ELSE OR USED, WITHOUT THE WRITTEN CONSENT OF EMERSON CLIMATE TECHNOLOGIES, INC.						
MATERIAL SPECIFICATION		DRAWN BY	SUPERSEDES DWG. NO. / REV. NO.			
N/A		JS	497-1111-00/000			
		DATE	SCALE	DATE FORMAT:		
		04-01-16	1:2	MM-DD-YY		
TITLE		DRAWING NUMBER		SHEET 1 OF 1		DWG
REF DWG-WELD COMP ASSM		497-1935-00				4
						SIZE

UNCONTROLLED - DO NOT MODIFY

©COPYRIGHT EMERSON CLIMATE TECHNOLOGIES, INC. - CONFIDENTIAL