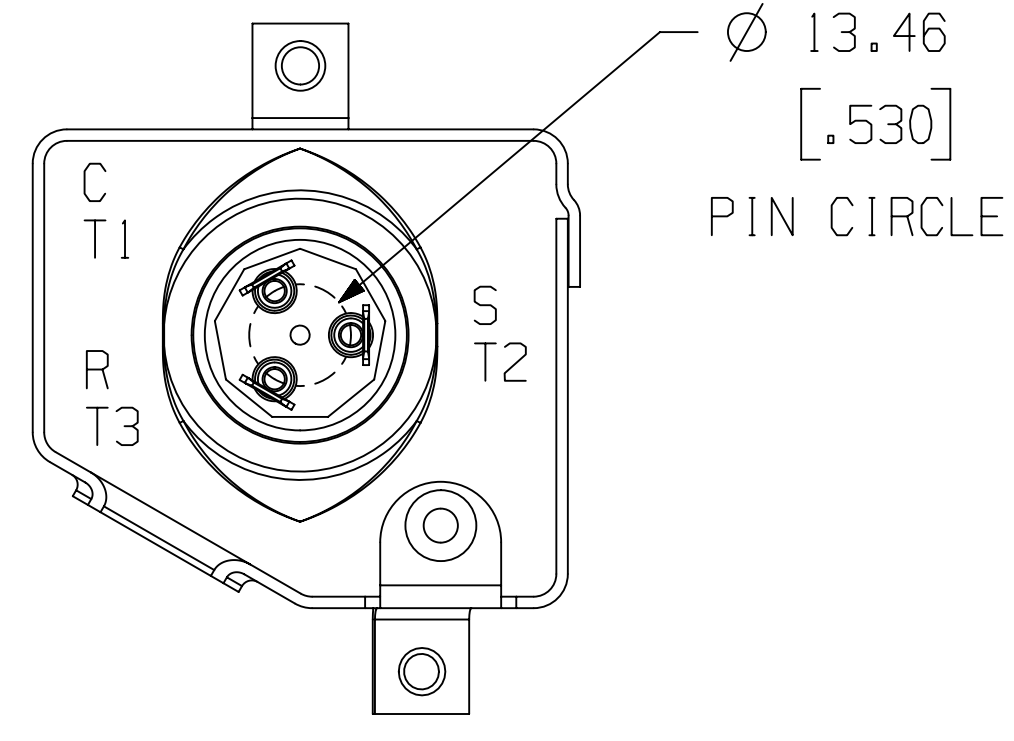


MODEL NUMBER
ZS21KAE
ZS26KAE
ZS29KAE
ZS33KAE

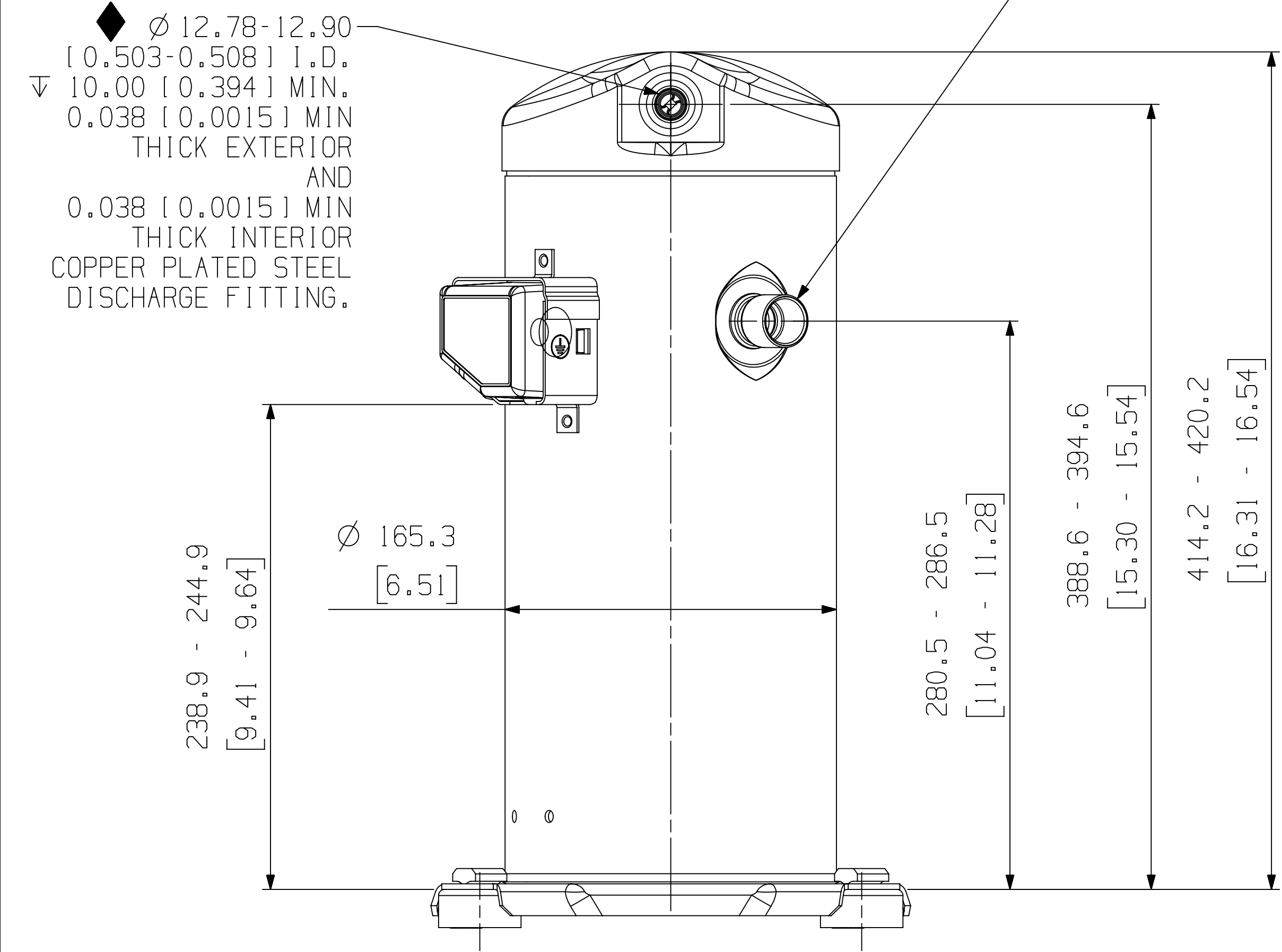
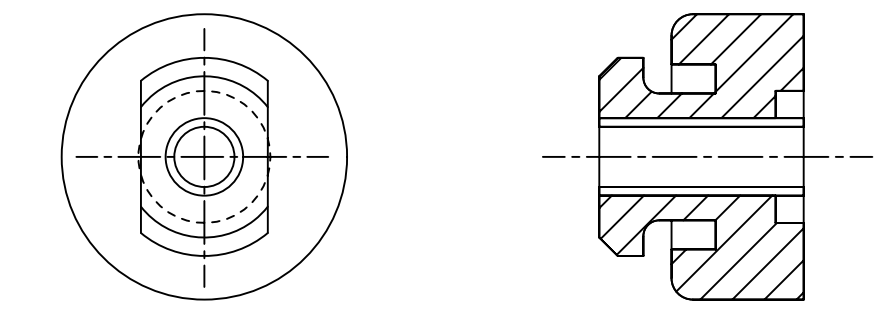
SPECIFICATIONS	
ES NO.	DESCRIPTION
ES92-155	CONVERSION-METRIC



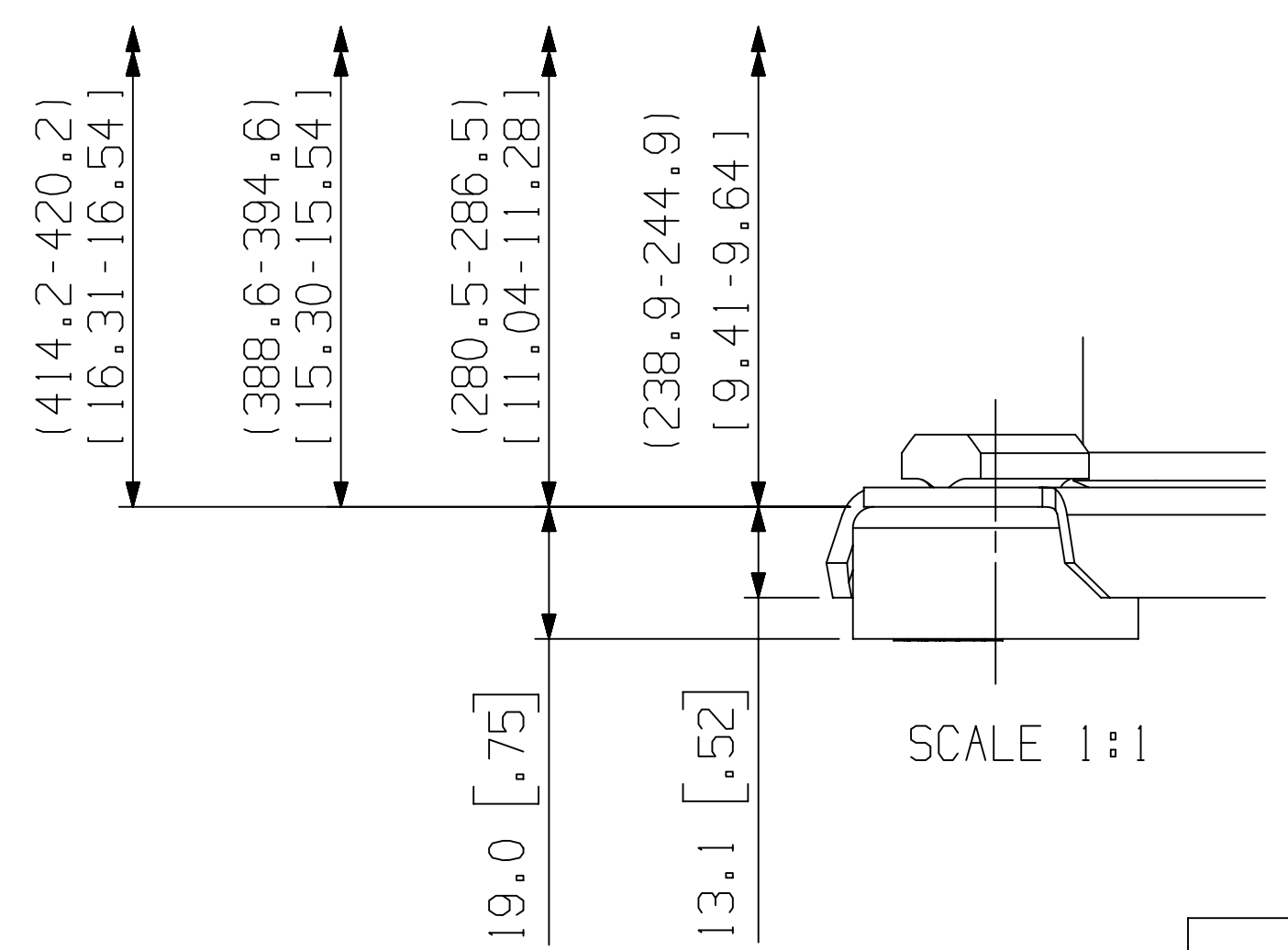
VIEW A-A  
SCALE 1:1

- NOTES:
- ALL TOLERANCES  $\pm 1.50$  [0.060] UNLESS OTHERWISE SPECIFIED.
  - THE SUCTION TUBE, DISCHARGE TUBE, RADIAL DIMENSIONS ARE TO BE GAUGED FROM THE CENTER OF THE MOUNTING HOLE PATTERN.
  - TUBE ENDS MUST BE PLUGGED.
  - MOUNTING KIT:

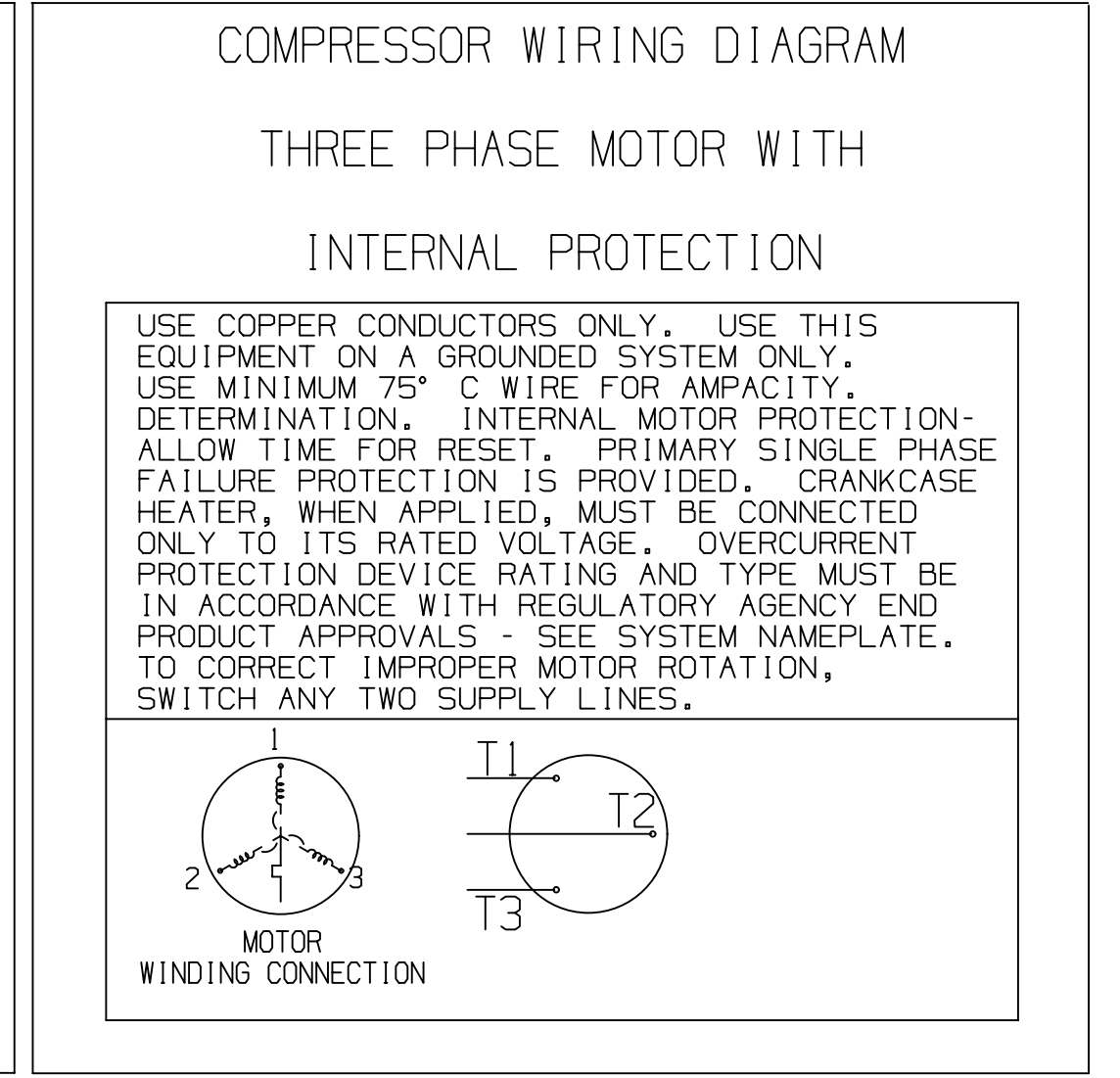
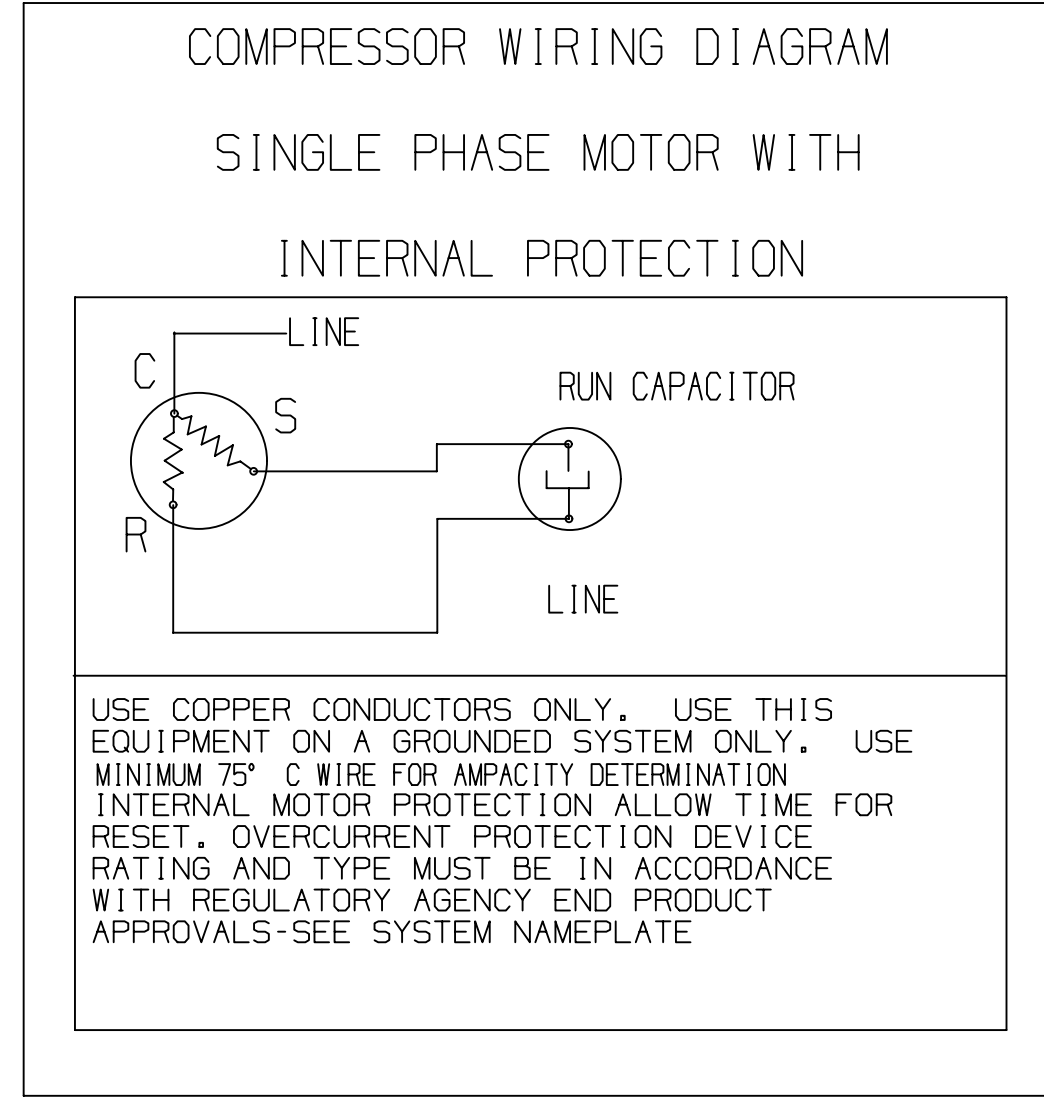
GROMMET DUROMETER	4 FOOT KIT
35-45	527-0116-00



Ø 22.30-22.48 [0.878-0.885] I.D.  
▽ 20.4 [0.803] MIN.  
0.038 [0.0015] MIN THICK EXTERIOR AND 0.038 [0.0015] MIN THICK INTERIOR COPPER PLATED STEEL SUCTION FITTING.



SCALE 1:1



INTERPRET PER ASME Y14.5M-1994 AND EMERSON CLIMATE TECHNOLOGIES, INC. DESIGN STANDARDS DS2002  
DO NOT SCALE DRAWING  
THIRD ANGLE PROJECTION  
UNLESS OTHERWISE SPECIFIED DIMENSIONS ARE MILLIMETER OR (INCH)  
TOLERANCES:  
1-PLACE ±  
2-PLACE ±  
ANGULAR ±

ECN200115	0	RELEASED	03-31-16	JS	ML	VC
ENG NOTICE NO.	REV.NO.	REVISIONS	DATE	BY	CHKD	APPR
24	(FR63)	CONFIDENTIALITY NOTICE THIS DRAWING AND INFORMATION CONTAINED HEREIN ARE THE EXCLUSIVE PROPERTY OF EMERSON CLIMATE TECHNOLOGIES, INC. AND SHALL BE RETURNED UPON DEMAND AND SHALL NOT BE REPRODUCED IN WHOLE OR IN PART DISCLOSED TO ANYONE ELSE OR USED, WITHOUT THE WRITTEN CONSENT OF EMERSON CLIMATE TECHNOLOGIES, INC.				
MATERIAL SPECIFICATION		DRAWN BY	SUPERSEDES DWG. NO. / REV. NO.			
N/A		JS	497-1112-00/000			
TITLE		DATE	SCALE	DATE FORMAT:		
REF DWG-WELD COMP ASSM		03-31-16	1:2	MM-DD-YY		
DRAWING NUMBER		SHEET 1 OF 1		DWG		
497-1936-00		4		SIZE		