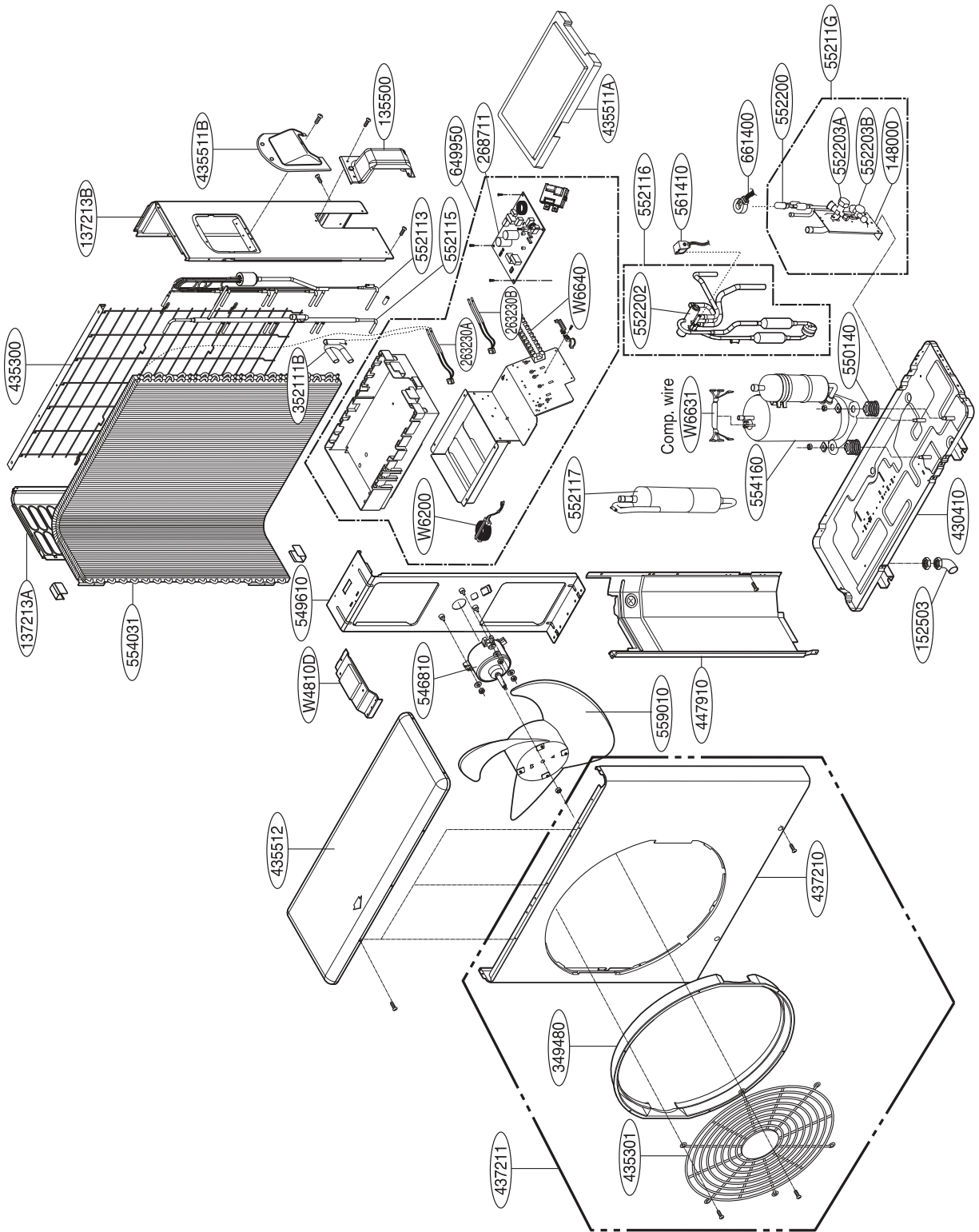


Outdoor Unit

Model : LSU240HLV / LSU300HLV / LSU360HLV



LOC	Description
263230A	Thermistor for discharge pipe temperature
263230B	Thermistor for outdoor air temperature
263230B	Thermistor for condensing middle temperature