

Job Name:

System Reference:

Date:



CN24RELAY-KIT-CM3 SPECIFICATIONS

- Quick-connect leads for contacts and coil
- Coil Voltage: 12V DC
- Power Consumption: 0.9 W or less
- Maximum Distance: 32' (10m)
- Wire Size: 18 to 22 AWG
- UL Class F (155°C) standard
- UL, CUR file E44211
- VDE 40027037

The CN24RELAY-KIT-CM3 connects to CN24 on the indoor unit to provide external heat control.

CONTACTS

Arrangement	SPST (1 Form A)
Ratings	Resistive load: Max. switched power: 840W or 11,080VA Max. switched current: 40A Max. switched voltage: 277VAC, 28VDC
UL, CUR	40A at 277VAC, General Use [1][2] 28A at 277VAC, General Use, 100k cycles [1] 2Hp at 250VAC [1][2] 1HP at 125VAC [1][2] 30A at 28VDC [1] 20/60 (FLA/LRA) at 277VAC 30k cycles [1]
VDE	Contact factory for ratings
Material	Silver cadmium oxide [1], silver tin oxide [2]
Resistance	< 50 milliohms initially (24V, 1A voltage drop method)

GENERAL DATA

Life Expectancy	Minimum operations
Mechanical	1 x 10 ⁷
Electrical	1 x 10 ⁵ at 28A, 277VAC Res. [N.O.]
Operate Time (max.)	15ms at nominal coil voltage
Release Time (max.)	10ms at nominal coil voltage (with no coil suppression)
Dielectric Strength (at sea level for 1 min.)	1500 Vrms contact to contact 2500 Vrms contact to coil
Insulation Resistance	1000 megohms min. at 500 VDC, 20°C 50% RH
Dropout	DC: Greater than 10% of nominal coil voltage AC: Greater than 20% of nominal coil voltage
Ambient Temperature	At nominal coil voltage
Operating	-55°C (-67°F) to 85°C (185°F), [DC] -55°C (-67°F) to 60°C (140°F), [AC]
Storage	-55°C (-67°F) to 155°C (311°F)
Vibration	0.062" DA at 10–55 Hz
Shock	10 g
Enclosure	P.B.T. polyester
Terminals	Tinned copper alloy, Quick Connects Note: Allow suitable slack on leads when wiring, and do not subject the terminals to excessive force.
Max. Solder Temp.	270°C (518°F)
Max. Solder Time	5 seconds
Max. Solvent Temp.	80°C (176°F)
Max. Immersion Time	30 seconds
Weight (approximately)	36 grams

COIL

Power	
At Pickup Voltage (typical)	DC: 500mW
Max. Continuous Dissipation	DC: 1.7W at 20°C (68°F)
Temperature Rise	38°C (68°F)
Temperature	Max. 155°C (311°F)

NOTES

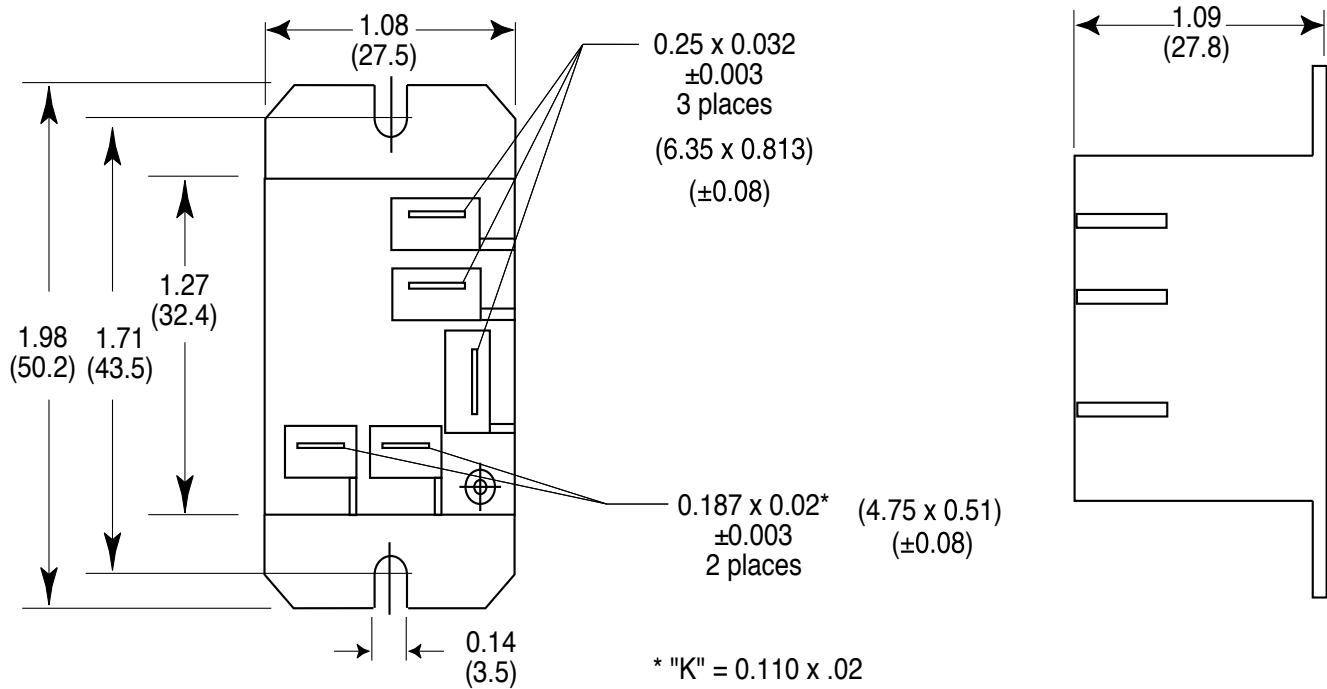
1. All values at 20°C (68°F).
2. Relay may pull in with less than "Must Operate" value.
3. Specifications subject to change without notice.

CN24RELAY-KIT-CM3

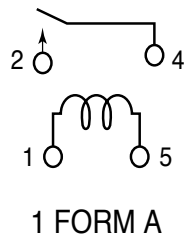
RELAY ORDERING DATA

COIL SPECIFICATIONS – DC Coil					ORDER NUMBER*
Nominal Coil VDC	Must Operate VDC	Max. Continuous VDC	Nominal Current mA $\pm 10\%$	Coil Resistance $\pm 10\%$	
12	9.00	15.4	77	155	AZ2280-1A-12DF

MECHANICAL DATA



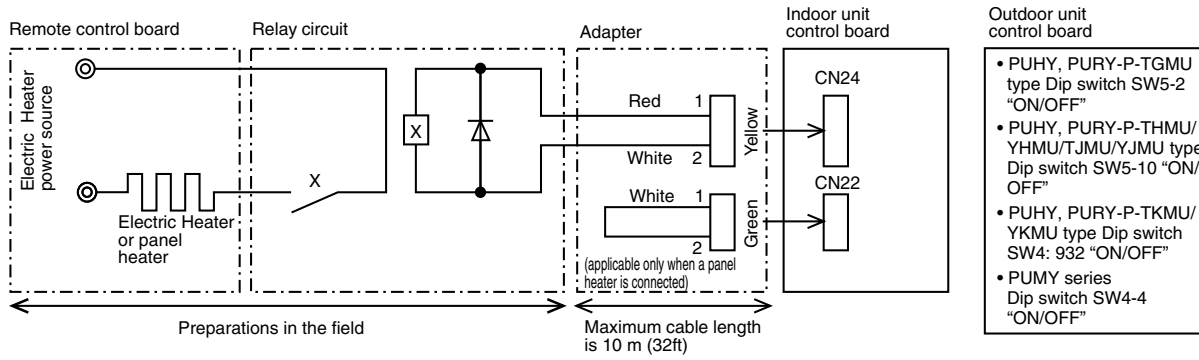
WIRING DIAGRAM (TOP VIEW)



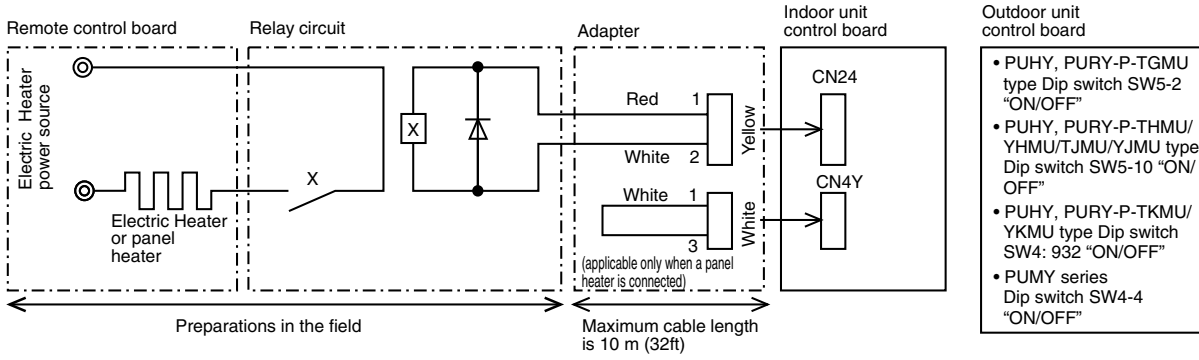
Dimensions in inches with metric equivalents in parentheses. Tolerance: $\pm .010$ "

CONNECTIONS: CN24RELAY-KIT-CM3

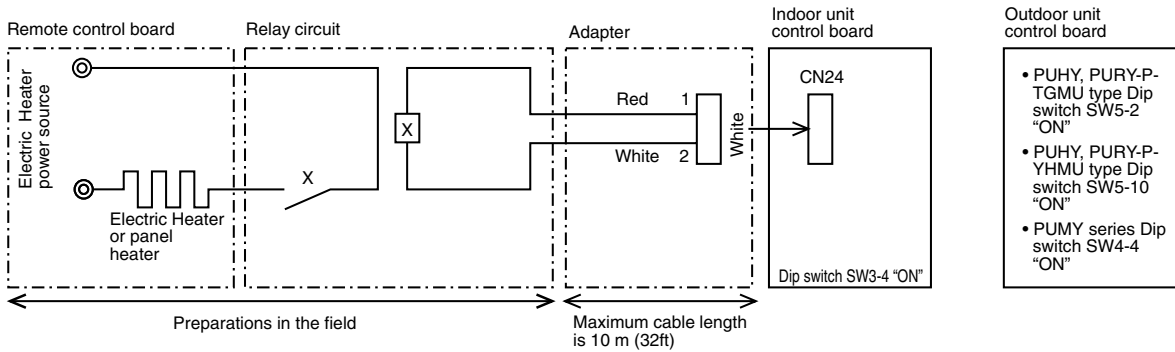
(1) DUCTED INDOOR UNITS (EXCEPT PEFY-P-NMSU-ER2)



(2) DUCTED INDOOR UNITS (PEFY-P-NMSU-ER2 ONLY)



(3) NON-DUCTED INDOOR UNITS



1340 Satellite Boulevard, Suwanee, GA 30024
Toll Free: 800-433-4822 www.mehvac.com