

MANUFACTURED FOR:
MITSUBISHI ELECTRIC US, INC.

EH03-MPA-MB, EH03-MPA-M, EH03-MPA-SB, EH03-MPA-S, EH03-SVZ-S,
EH05-MPA-MB, EH05-MPA-M, EH05-MPA-SB, EH05-MPA-S, EH05-SVZ-M, EH05-SVZ-S,
EH08-MPA-MB, EH08-MPA-M, EH08-MPA-SB, EH08-MPA-S, EH08-SVZ-M, EH08-SVZ-S,
EH10-MPA-MB, EH10-MPA-M, EH10-MPA-L, EH10-MPA-LB, EH10-SVZ-M,
EH15-MPAS-L, EH15-MPAS-LB,
EH17-MPAS-L, EH17-MPAS-LB

Electric Heat Kit

For use with:

PV FY-P-NAMU-E(1) / MVZ-A-AA4(7) / SVZ-KP-NA / PVA-A-AA4(7)
Multi-Position Air Handler

PARTS MANUAL

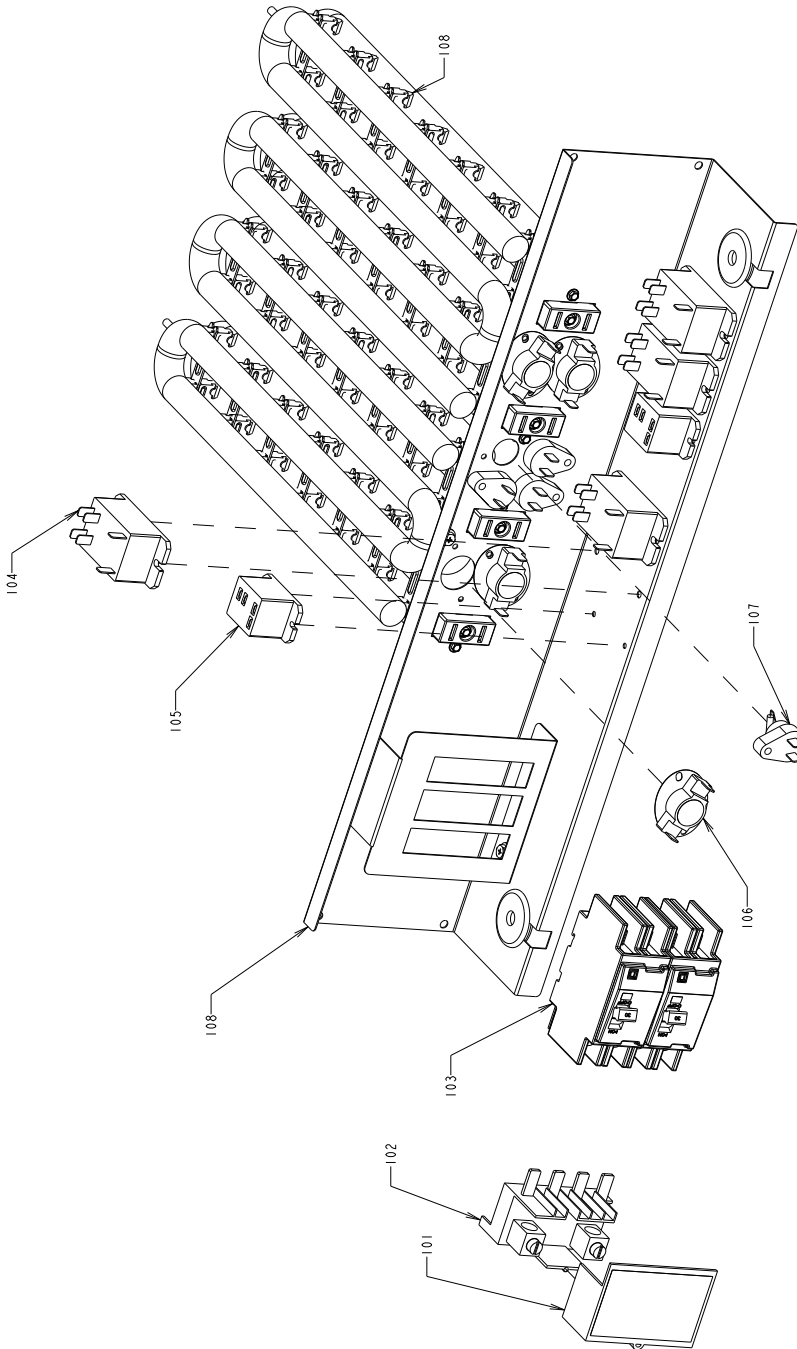
Table of Contents

1. Diagrams	3
EH10-MPA-L(B), EH15-MPAS-L(B), EH17-MPAS-L(B)	3
EH03-MPA-M(B), EH05-MPA-M(B), EH08-MPA-M(B), EH10-MPA-M(B), EH05-SVZ-M, EH08-SVZ-M, EH10-SVZ-M	4
EH03-MPA-S(B), EH05-MPA-S(B), EH08-MPA-S(B), EH03-SVZ-S, EH05-SVZ-S, EH08-SVZ-S	5
2. Parts List	6

1. Diagrams

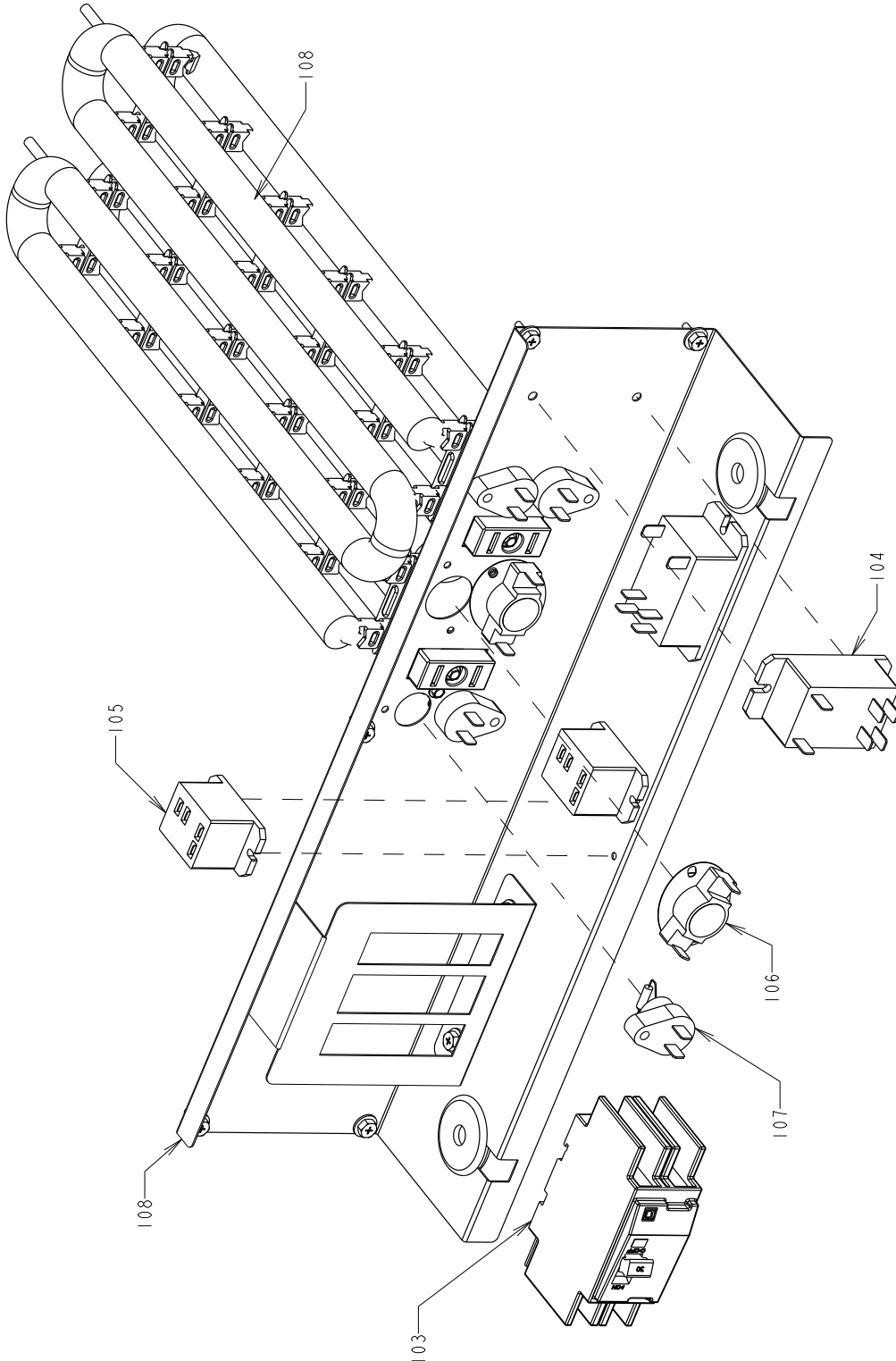
EH10-MPA-L(B), EH15-MPAS-L(B), EH17-MPAS-L(B)

Actual configuration and number of components may differ from image shown below.



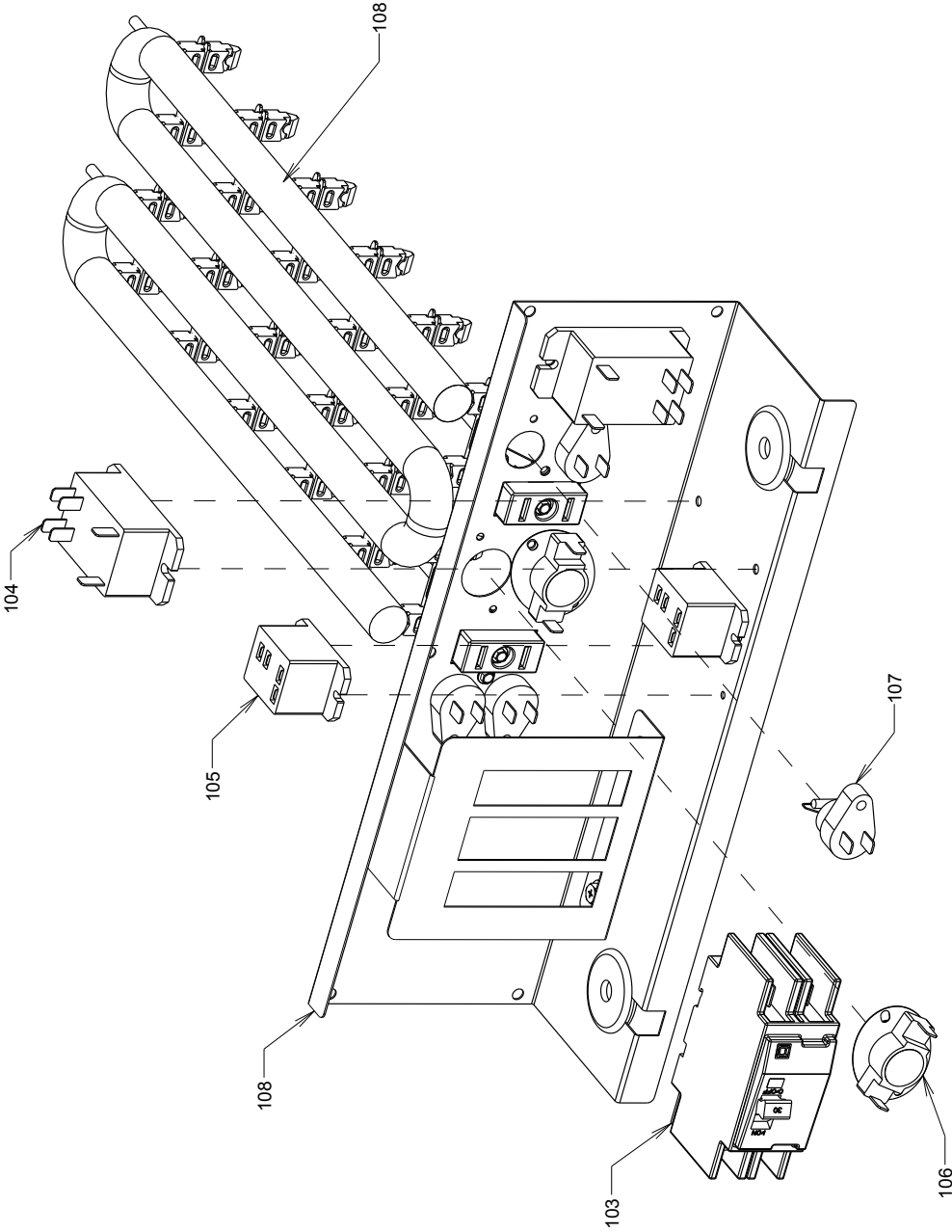
EH03-MPA-M(B), EH05-MPA-M(B), EH08-MPA-M(B), EH10-MPA-M(B), EH05-SVZ-M, EH08-SVZ-M, EH10-SVZ-M

Actual configuration and number of components may differ from image shown below.



EH03-MPA-S(B), EH05-MPA-S(B), EH08-MPA-S(B), EH03-SVZ-S, EH05-SVZ-S, EH08-SVZ-S

Actual configuration and number of components may differ from image shown below.



2. Parts List

External Parts

No.	Part No.	Part Name	Spec.	EH03-SVZ-S	EH05-SVZ-S	EH08-SVZ-S	EH03-MPA-S (B)	EH05-MPA-S (B)	EH08-MPA-S (B)	EH05-SVZ-M	EH08-SVZ-M	EH10-SVZ-M	EH03-MPA-M (B)	EH05-MPA-M (B)	EH08-MPA-M (B)	EH10-MPA-M (B)	EH10-MPA-L (B)	EH15-MPAS-L (B)	EH17-MPAS-L (B)	Notes for models	Revision info.	
101	0200-137-003P	SINGLE POINT COVER																	1	1		
102	0200-137-001P	SINGLE POINT BLOCK																	1	1		
103	0200-155-002P	CIRCUIT BREAKER 20AMP		1			1						1									
103	0200-155-004P	CIRCUIT BREAKER 30AMP			1			1		1					1							
103	0200-155-006P	CIRCUIT BREAKER 40AMP																		1		
103	0200-155-007P	CIRCUIT BREAKER 45AMP				1			1											1		
103	0200-155-008P	CIRCUIT BREAKER 50AMP									1					1					1	
103	0200-155-009P	CIRCUIT BREAKER 60AMP										1					1	1			1	
104	0200-213-001P	240VAC RELAY		1	1	2	1	1	2	1	2	2	1	1	2	2	2	4	4		relay 240VAC	
105	0200-213-002P	12VDC PILOT RELAY		1	1	2	1	1	2	1	2	2	1	1	2	2	2	2	2	4	2	relay 12VDC
106	0200-217-001P	TOD 180/80																		4		thermal overload
106	0200-194-001P	TOD 160/45				2											2	4				thermal overload
106	0200-222-001P	TOD 160/55										2					2					thermal overload
106	0200-223-001P	TOD 150/55							2		2				2							thermal overload
106	0200-239-001P	TOD 130/45			1																	thermal overload
106	0200-183-001P	TOD 140/45						1		1				1								thermal overload
106	0200-224-001P	TOD 120/45		1			1						1									thermal overload
107	0200-218-001P	FUSIBLE LINK 117C																		4		thermal fuse
107	0200-200-001P	FUSIBLE LINK 110C							4													thermal fuse
107	0200-196-001P	FUSIBLE LINK 104C										2					2		4			thermal fuse
107	0200-150-001P	FUSIBLE LINK 98C				4									4		2					thermal fuse
107	0200-086-001P	FUSIBLE LINK 93C						1														thermal fuse
107	0200-195-001P	FUSIBLE LINK 84C			2						4											thermal fuse
107	0200-228-001P	FUSIBLE LINK 77C		2						2				2								thermal fuse
107	0200-221-001P	FUSIBLE LINK 72C					2						2									thermal fuse
108	6000-140-501	HEATER ASSM 3KW SMALL					*															Complete heater assm
108	6000-140-502	HEATER ASSM 5KW SMALL						*														Complete heater assm
108	6000-140-503	HEATER ASSM 8KW SMALL							*													Complete heater assm
108	6000-140-504	HEATER ASSM 3KW SMALL		*																		Complete heater assm
108	6000-140-505	HEATER ASSM 5KW SMALL			*																	Complete heater assm
108	6000-140-506	HEATER ASSM 8KW SMALL				*																Complete heater assm
108	6000-139-503	HEATER ASSM 3KW MEDIUM											*									Complete heater assm
108	6000-139-504	HEATER ASSM 5KW MEDIUM								*				*								Complete heater assm
108	6000-139-501	HEATER ASSM 8KW MEDIUM													*							Complete heater assm
108	6000-139-505	HEATER ASSM 8KW MEDIUM								*												Complete heater assm
108	6000-139-502	HEATER ASSM 10KW MEDIUM									*					*						Complete heater assm
108	6000-138-501	HEATER ASSM 10KW LARGE															*					Complete heater assm
108	6000-138-502	HEATER ASSM 15KW LARGE																*				Complete heater assm
108	6000-138-503	HEATER ASSM 17KW LARGE																	*			Complete heater assm

Notes:

* In the event of a heater coil/element failure, the entire heater assembly will have to be replaced. Item 108.

** All components individually packaged and labeled with Mitsubishi service part number

*** Actual configuration and number of components may differ from image shown on previous pages

This product is designed and intended for use in the residential, commercial and light-industrial environment.

Please be sure to put the contact address/telephone number on this manual before handing it to the customer.

Manufactured for:
MITSUBISHI ELECTRIC US, INC.

www.mitsubishielectric-usa.com

Toll Free: 800-433-4822