

MANUFACTURED FOR:  
MITSUBISHI ELECTRIC US, INC.

Filter Boxes

## **FBH-Series, FBL-Series, FBM-Series**

For use with: PEFY / SEZ-KD / PEA / PEAD Indoor Units

---

INSTALLATION MANUAL

FOR INSTALLER

For safe and correct use, please read this installation manual thoroughly before installing these component.



# Table of Contents

|  |   |
|--|---|
| 1. Specifications .....  | 5 |
| 1.1. FBH Series .....  | 5 |
| 1.2. FBL Series .....  | 5 |
| 1.3. FBM Series .....  | 5 |
| 2. For ease in installation, the filter box should be attached before the indoor unit is mounted. .... | 6 |
| 3. Converting the filter box from rear (as supplied) to bottom return .....                            | 7 |



# 1. Specifications

## 1.1. FBH Series

| Filter Box Model | Used with                 | Filter Box Dimensions |         |         | Filter(s) Included                                    |
|------------------|---------------------------|-----------------------|---------|---------|---|
|                  | CITY MULTI®               | Height                | Width   | Depth   |   |
| FBH2-1           | PEFY-P15, P18, P24NMHU-E2 | 15"                   | 26-3/4" | 15-3/4" | (1) - 20" x 24" x 2"<br>MERV 13                       |
| FBH2-2           | PEFY-P27, P30NMHU-E2      | 15"                   | 38"     | 15-3/4" | (1) - 20"x16"x2"<br>(1) - (1) - 20"x20"x2"<br>MERV 13 |
| FBH2-3           | PEFY-P36, P48, P54NMHU-E2 | 15"                   | 44-1/2" | 15-3/4" | (2) - 20" x 20" x 2"<br>MERV 13                       |
| FBH4-4           | PEFY-P72, P96NMHSU-E      | 18-3/8"               | 49-3/8" | 20"     | (2) - 24" x 24" x 4"<br>MERV 13                       |

## 1.2. FBL Series

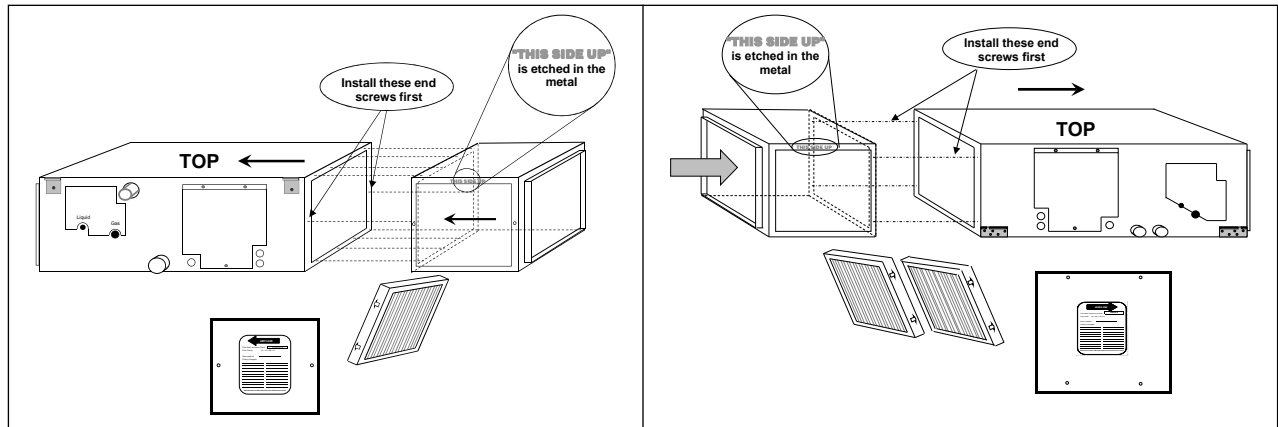
| Filter Box Model | Used with                |            |                   | Filter Box Dimensions |         |       | Filter(s) Included                          |
|------------------|--------------------------|------------|-------------------|-----------------------|---------|-------|---|
|                  | CITY MULTI®              | P-Series   | M-Series          | Height                | Width   | Depth |   |
| FBL1-1           | PEFY-P06,P08,P12-NMSU-E* |            | SEZ-KD09NA*       | 8"                    | 27-5/8" | 11"   | (1) - 12" x 25" x 1"                        |
| FBL1-2           | PEFY-P15,P18-NMSU-E*     | PEA-A12AA* | SEZ-KD12,KD15-NA* | 8"                    | 35-1/2" | 11"   | (1) - 12" x 20" x 1"<br>(1) - 2" x 14" x 1" |
| FBL1-3           | PEFY-P24-NMSU-E*         | PEA-A12AA* | SEZ-KD18NA*       | 8"                    | 43-3/8" | 11"   | (2) - 2" x 20" x 1"                         |

## 1.3. FBM Series

| Filter Box Model | Used with                          |                 | Filter Box Dimensions |         |       | Filter(s) Included                          |
|------------------|------------------------------------|-----------------|-----------------------|---------|-------|---|
|                  | CITY MULTI®                        | P-Series        | Height                | Width   | Depth |   |
| FBM2-1           | PEFY-P06,P09,P12NMAU-E*            | PEAD-A09,A12AA* | 10"                   | 27-5/8" | 12"   | (1) - 14" x 25" x 2"                        |
| FBM2-2           | PEFY-P15,P18NMAU-E*                | PEAD-A15,A18AA* | 10"                   | 35-1/2" | 12"   | (1) - 14" x 25" x 2"<br>(1) - 14" x 14" x2" |
| FBM2-3           | PEFY-P24,P27,P30NMAU-E*            | PEAD-A24,A30AA* | 10"                   | 43-3/8" | 12"   | (2) - 14" x 25" x 2"                        |
| FBM2-4           | PEFY-P36NMAU-E*<br>PEFY-P48NMAU-E  | PEAD-A36,A42AA* | 10"                   | 55-1/8" | 12"   | (2) - 14" x 25" x 2"<br>(1) - 14" x 14" x2" |
| FBM2-5           | PEFY-P48NMAU-E2<br>PEFY-P54NMAU-E* | --              | 10"                   | 63"     | 12"   | (4) - 14" x 14" x2"                         |

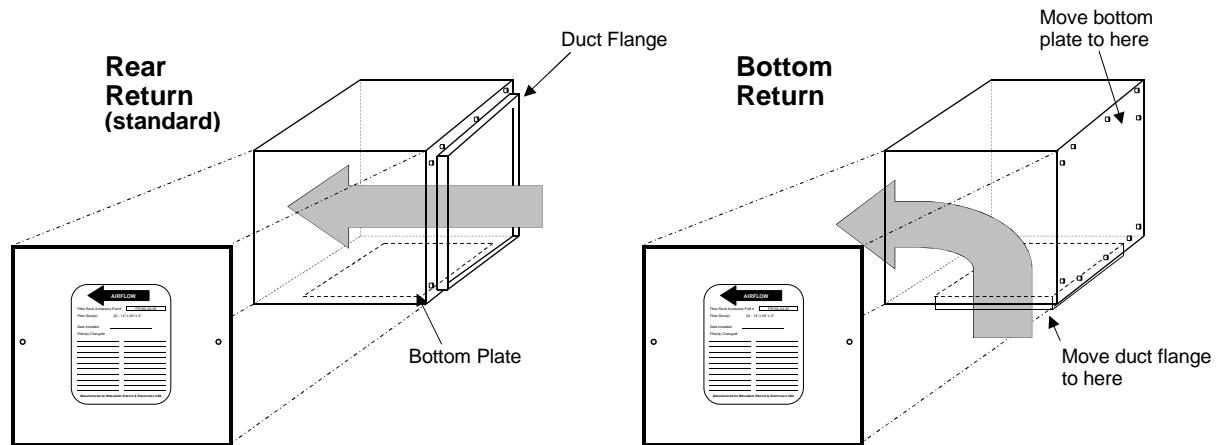
## 2. For ease in installation, the filter box should be attached before the indoor unit is mounted.

1. Remove the filter from the back of the indoor unit and discard.
2. Open the filter box door and remove the filter(s).
3. Position the indoor unit and filter box as show below matching the top of the filter box to the top of the indoor unit.
4. Using the screws provided attach the filter box to the indoor unit. **Inserting the end screws first will line up the rest of the holes.**
5. Once the end screws are in place insert and tighten the remaining screws.
6. Reinstall the filter(s) making sure the airflow direction is correct.
7. Reinstall the filter box door and mark the date of installation on the label.
8. The indoor unit is now ready to be mounted.



### 3. Converting the filter box from rear (as supplied) to bottom return

1. Remove rear duct flanges and bottom plate.
2. Install duct flanges on the bottom of the filter box.
3. Install the bottom plate on the rear of the filter box.



---

This product is designed and intended for use in the residential, commercial and light-industrial environment.

Please be sure to put the contact address/telephone number on this manual before handing it to the customer.

Manufactured for:  
**MITSUBISHI ELECTRIC US, INC.**

[www.mitsubishielectric-usa.com](http://www.mitsubishielectric-usa.com)

Toll Free: 800-433-4822