

# MAC-334IF-E

## System Control Interface



Job Name:

System Reference:

Date:



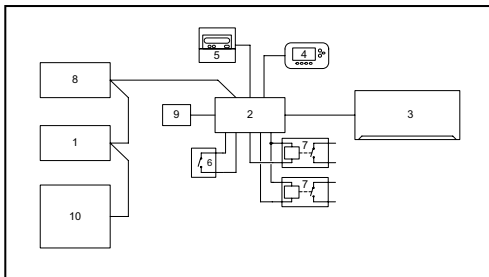
### System Configuration

Devices that may be used with the System Control Interface System Control Interface:

1. Central Controller  
(AE-200, EW-50, AG-150, GB-50ADA, GB-24\*, TC-24\*, EB-50)
2. System Control Interface (MAC-334IF)
3. M-Series indoor unit
4. CN105 Interface
5. MA Remote Controller
6. Input Contact (field supplied)
7. Output Relay (field supplied)
8. M-Net Power Supply Unit (PAC-SC51KUA)
9. External 12VDC Power Supply (field supplied)
10. BAC-HD150\* or LMAP03U\*

\*GB-24 and TC-24 are not compatible with BAC-HD150 or LMAP03U.

For details on individual components, please refer to the appropriate manual(s).



### MAC-334IF-E system control interface specifications for M-Series indoor units

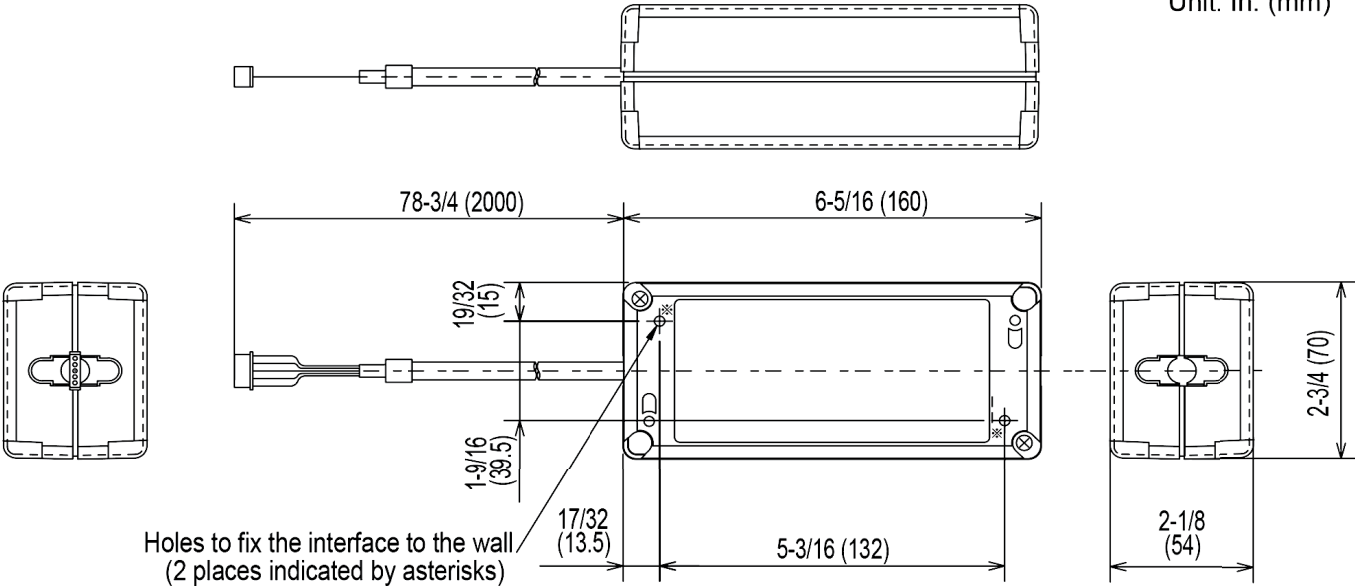
- Allows the M-Series indoor units to communicate with the CITY MULTI® Controls Network
- Dual-setpoint Auto mode can be enabled by dip switch
- Can turn external heater ON/OFF based on setpoint and room temperature
- Provides two outputs to allow for the following control scenarios:
  - Equipment Status and Error
  - Equipment Status and Auxiliary Heat Source
  - Equipment Status and Humidifier Control
  - Auxiliary Heat Control and Humidifier Control
- Note: External 12VDC power supply is required
- Provides an input to allow remote On/Off control of indoor unit (3-Wire plug adapter included)
- Allows the M-Series indoor units to connect to CN105 interface via CN505 on the MAC-334IF-E when using other MAC-334IF functions
  - Note: external 12VDC power supply is required
- Allows the M-Series indoor units to connect to a MA remote controller
- Indoor unit CN105 cable included
- In order to have a MAC-334IF-E in the same group as a MAC-333IF-E, DIP switch 502-7 must be set to ON

### COMPATIBILITY

M&P Ductless
MFZ-KJ09NA
MFZ-KJ12NA
MFZ-KJ15NA
MFZ-KJ18NA
MLZ-KP09NA2
MLZ-KP12NA2
MLZ-KP18NA2
MLZ-KY06NA
MSY-GL09NA
MSY-GL12NA
MSY-GL15NA
MSY-GL18NA
MSY-GL24NA
MSY-GS30NA
MSY-GS36NA
MSZ-EF09NA(B/W/S)
MSZ-EF09NA(B/W/S)
MSZ-EF09NA(B/W/S)
MSZ-EF12NA(B/W/S)
MSZ-EF12NA(B/W/S)
MSZ-EF12NA(B/W/S)
MSZ-EF15NA(B/W/S)
MSZ-EF15NA(B/W/S)
MSZ-EF15NA(B/W/S)
MSZ-EF18NA(B/W/S)
MSZ-EF18NA(B/W/S)
MSZ-EF18NA(B/W/S)
MSZ-FS06NA
MSZ-FS09NA
MSZ-FS12NA
MSZ-FS15NA
MSZ-FS18NA
MSZ-GL06NA
MSZ-GL09NA
MSZ-GL12NA
MSZ-GL15NA
MSZ-GL24NA
MSZ-GS30NA
MSZ-GS36NA
MSZ-HM09NA
MSZ-HM12NA
MSZ-HM15NA
MSZ-HM18NA
MSZ-HM24NA
MSZ-JP09WA
MSZ-JP12WA
MSZ-WR09NA
MSZ-WR12NA
MSZ-WR18NA
MSZ-WR24NA

# DIMENSIONS: MAC-334IF-E

Unit: In. (mm)



1340 Satellite Boulevard Suwanee, GA 30024  
Toll Free: 800-433-4822 www.mehvac.com