

MITSUBISHI AIR CONDITIONER OPTIONAL PARTS

MULTIPLE REMOTE CONTROLLER ADAPTER

Parts No. PAC-725AD

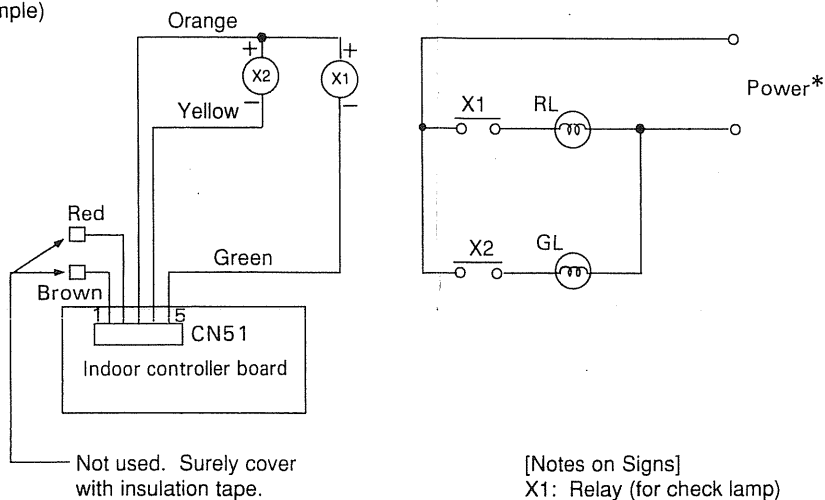
1. General

This is a relay adapter to transmit display output from the air conditioner main unit for operation and check monitor.

2. Application

When used as an adapter for remote display it becomes a relay adapter for driving a relay by receiving signal output to connector (CN51) on the indoor controller board of the air conditioner.

(Connection example)



[Notes on Signs]

X1: Relay (for check lamp)

X2: Relay (for operation lamp)

RL: Check Lamp

GL: Operation Lamp

[Field supplied parts]

Relays: Coil rated voltage ; 12VDC

Coil rated power consumption ; 0.9W in less

Lamps: Matching with power voltage (*)

3. Installation

Connect female connector of the Multiple remote controller adapter to the male connector CN51 on indoor controller board. Use due care since connector has polarity. Reversed polarity of connector connection prevents normal operation.

