

# PARTS CATALOG

**<Outdoor unit>**

**[Model Name]**

PUMY-P36NKMU3

PUMY-P48NKMU3

PUMY-P60NKMU3

PUMY-HP36NKMU1

PUMY-HP48NKMU1

**[Service Ref.]**

**PUMY-P36NKMU3**

**PUMY-P48NKMU3**

**PUMY-P60NKMU3**

**PUMY-HP36NKMU1**

**PUMY-HP48NKMU1**

Revision:

- Parts No. of side panel (R) and service panel have been updated in REVISED EDITION-A.

OCB733 is void.

**Salt proof model**

PUMY-P36NKMU3-BS

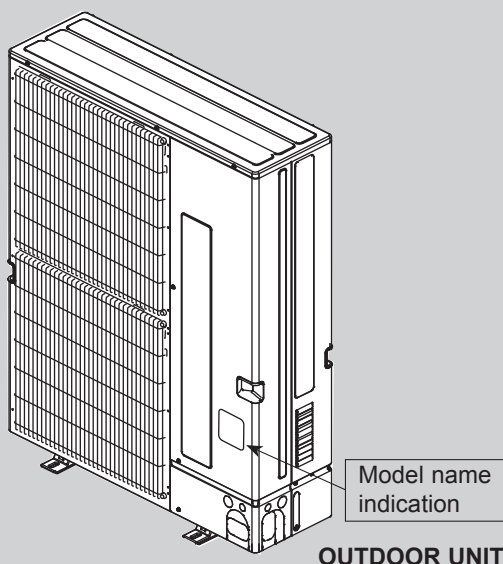
PUMY-P48NKMU3-BS

PUMY-P60NKMU3-BS

**PUMY-P36NKMU3-BS**

**PUMY-P48NKMU3-BS**

**PUMY-P60NKMU3-BS**



OUTDOOR UNIT

## CONTENTS

1. SERVICE PARTS LIST ..... 2
2. OPTIONAL PARTS ..... 10

**SERVICE MANUAL (OCH733)**

## STRUCTURAL PARTS

PUMY-P36NKMU3

PUMY-P48NKMU3

PUMY-P60NKMU3

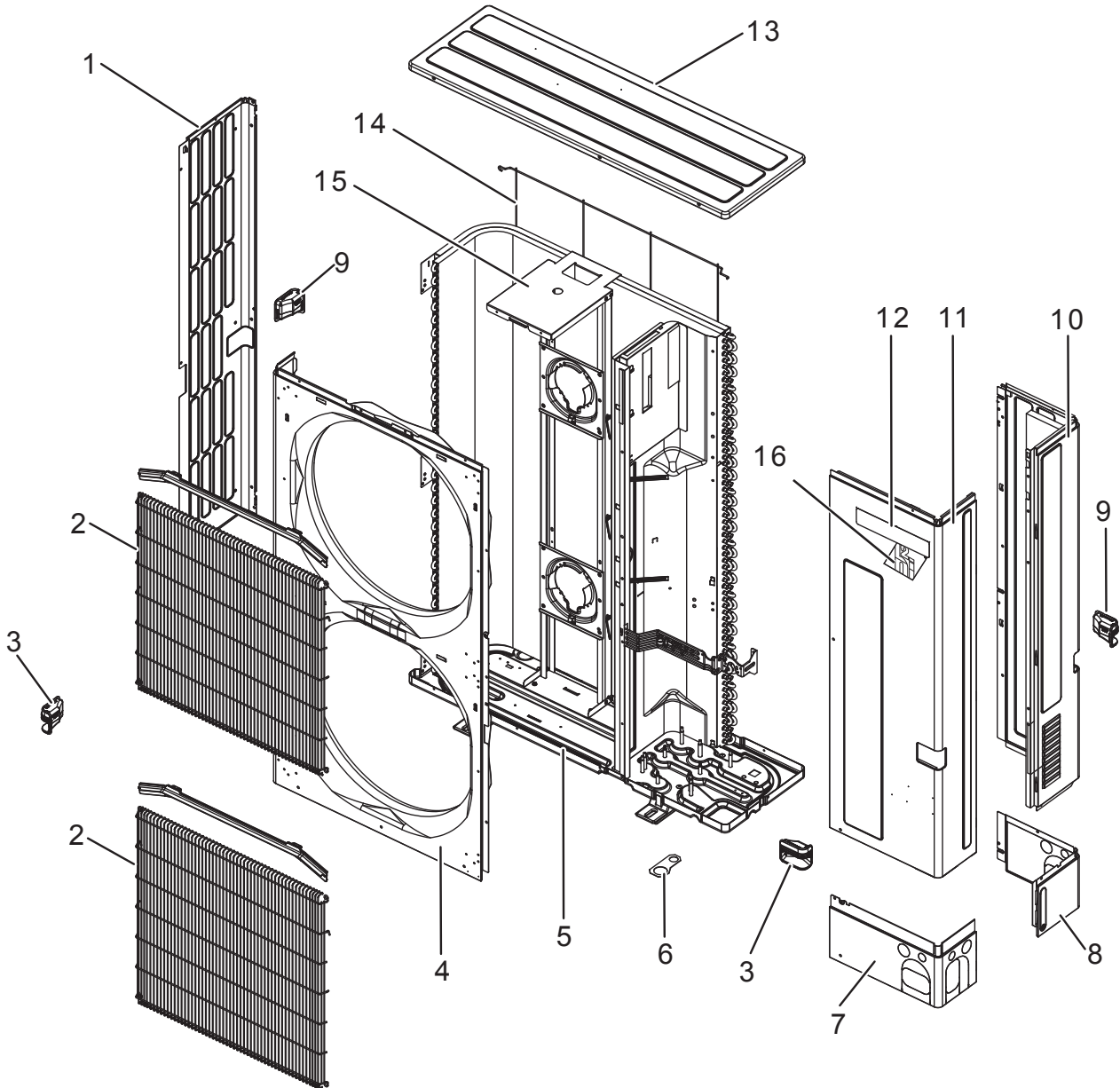
PUMY-HP36NKMU1

PUMY-HP48NKMU1

PUMY-P36NKMU3-BS

PUMY-P48NKMU3-BS

PUMY-P60NKMU3-BS

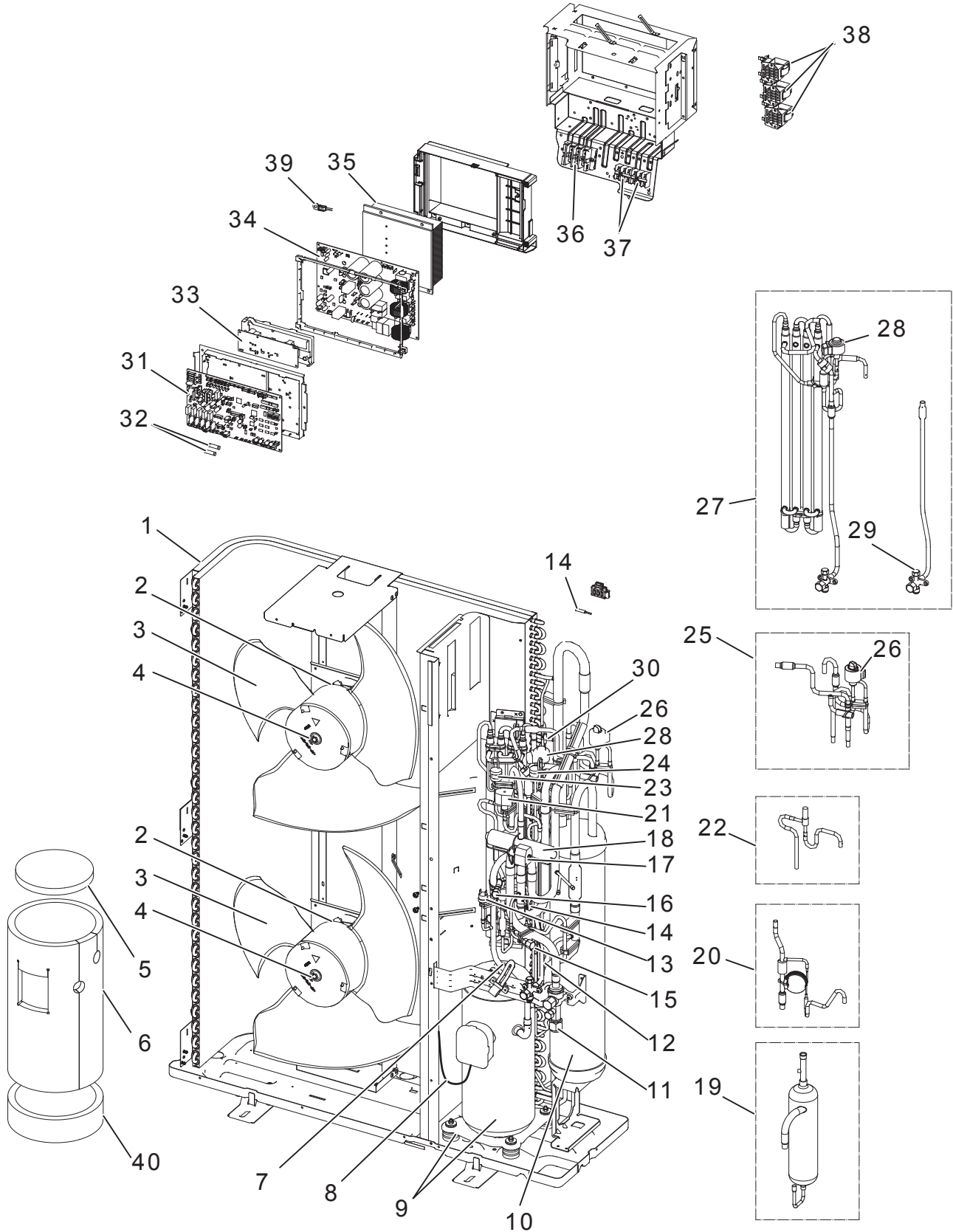


1. The part quantity below indicates the required number of pieces per unit.
2. The circled No. indicates that the part is not shown in the figure.

No.	Parts No.	Parts Name									Remarks [Drawing No.]
			PUMY-P36NKMU3	PUMY-P48NKMU3	PUMY-P60NKMU3	PUMY-P36NKMU3-BS	PUMY-P48NKMU3-BS	PUMY-P60NKMU3-BS	PUMY-HP36NKMU1	PUMY-HP48NKMU1	
1	R 0 1 E 3 0 6 6 2	SIDE PANEL (L)	1	1	1	1	1	1	1	1	
2	R 0 1 E 7 3 6 9 1	WIRE GRILLE	2	2	2	2	2	2	2	2	
3	R 0 1 E 0 5 6 5 5	HANDLE (FRONT)	2	2	2	2	2	2	2	2	
4	R 0 1 E 2 3 6 6 8	FRONT PANEL	1	1	1	1	1	1	1	1	
5	R 0 1 E 5 3 6 8 6	BASE ASSY	1	1	1	1	1	1	1	1	
6	T 7 W E 0 4 6 1 7	CONDUIT PLATE	1	1	1	1	1	1	1	1	
7	R 0 1 E 3 5 6 5 8	COVER PANEL (FRONT)	1	1	1	1	1	1	1	1	
8	R 0 1 E 3 6 6 5 8	COVER PANEL (REAR)	1	1	1	1	1	1	1	1	
9	R 0 1 E 0 6 6 5 5	HANDLE (REAR)	2	2	2	2	2	2	2	2	
10	R 0 1 E 8 1 6 6 1	SIDE PANEL (R)	1	1		1	1				
10	R 0 1 E 7 4 6 6 1	SIDE PANEL (R)			1			1	1	1	
11	T 7 W E 2 8 6 6 8	SERVICE PANEL	1	1		1	1				
11	T 7 W E 2 4 6 6 8	SERVICE PANEL			1			1	1	1	
12	R 0 1 A 0 6 0 0 5	BRAND LABEL (CITY M)	1	1	1	1	1	1	1	1	
13	R 0 1 E 3 6 6 4 1	TOP PANEL	1	1	1	1	1	1	1	1	
14	R 0 1 E 1 0 6 9 8	REAR GUARD	1	1	1	1	1	1	1	1	
15	R 0 1 E 5 9 1 3 0	MOTOR SUPPORT	1	1		1	1		1	1	
15	R 0 1 E 6 0 1 3 0	MOTOR SUPPORT			1			1			
16	T 7 W A 1 0 0 0 5	LABEL (H2I)							1	1	

**FUNCTIONAL PARTS**  
**PUMY-P36NKMU3**  
**PUMY-P48NKMU3**

**PUMY-P36NKMU3-BS**  
**PUMY-P48NKMU3-BS**

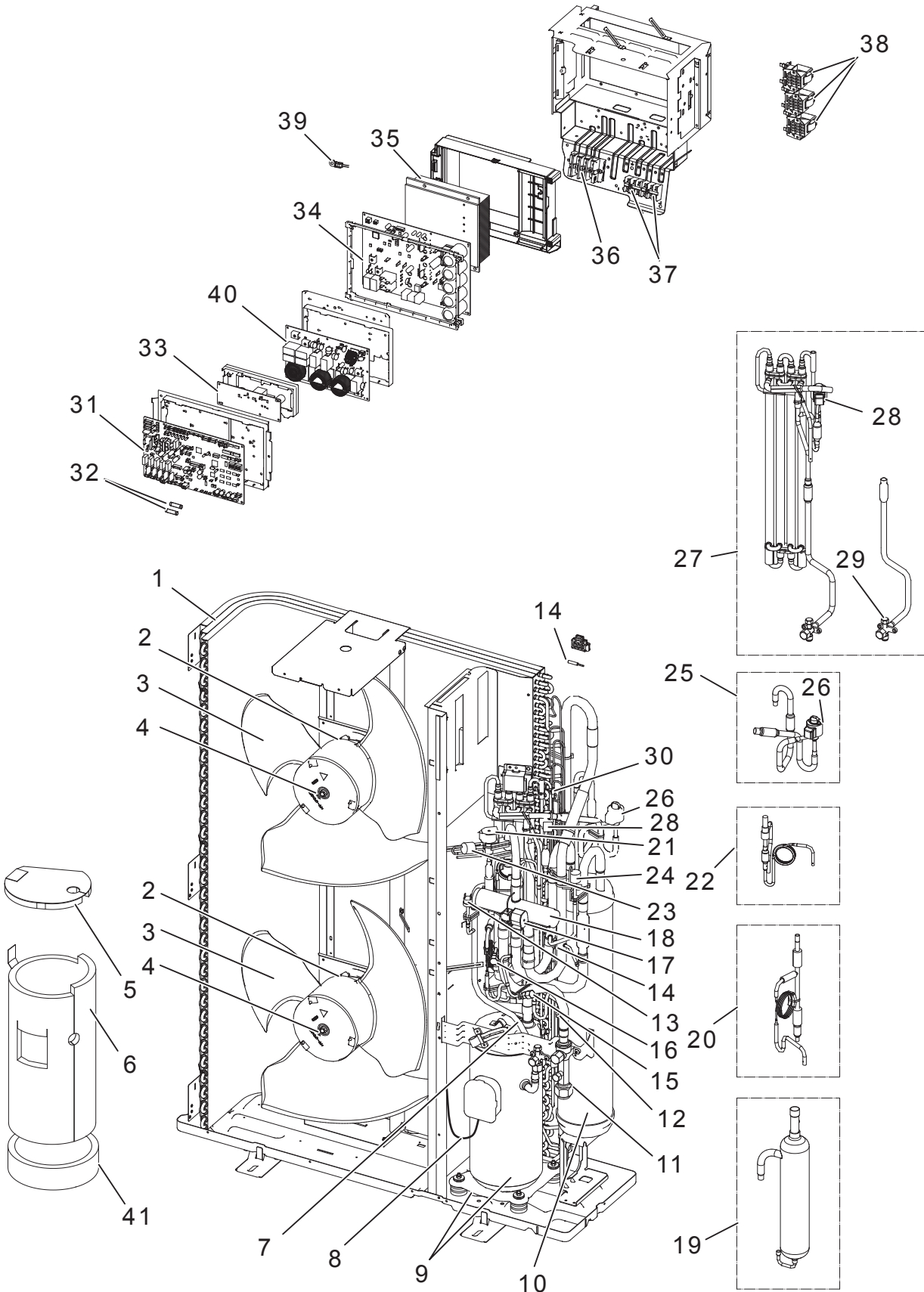


1. The part quantity below indicates the required number of pieces per unit.
2. The circled No. indicates that the part is not shown in the figure.

No.	Parts No.	Parts Name	PUMY-P36NKMU3	PUMY-P48NKMU3	PUMY-P36NKMU3-BS	PUMY-P48NKMU3-BS	Wiring Diagram Symbol	Remarks [Drawing No.]
1	R 0 1 R 6 5 4 0 8	HEAT EXCHANGER	1	1	1	1		
2	T 7 W A 1 0 2 2 1	FAN MOTOR	2	2	2	2	MF1, MF2	
3	R 0 1 E 1 6 1 1 5	PROPELLER FAN/D550	2	2	2	2		
4	R 0 1 E 1 6 0 9 7	CAP NUT (MEC) M6	2	2	2	2		
5	R 0 1 A 5 7 6 0 2	COMP FELT (TOP)	1	1	1	1		
6	T 7 W B 0 4 6 0 2	COMP FELT-B/ANB33FN	1	1	1	1		
7	R 0 1 E 3 6 2 0 1	THERMISTOR(SHELL)	1	1	1	1	TH4 (Compressor)	
8	R 0 1 C 1 1 5 1 0	LEAD ASSY COMP	1	1	1	1		
9	T 9 7 4 7 7 0 7 7	COMPRESSOR	1	1	1	1	MC	ANB33FNHMT Includes RUBBER MOUNT
10	R 0 1 E 8 1 4 4 0	ACCUMULATOR	1	1	1	1		
11	T 7 W E 1 1 4 1 1	BALL VALVE & STRAINER	1	1	1	1		5/8
12	R 0 1 M 3 0 2 0 2	THERMISTOR	1	1	1	1	TH2 (HIC Pipe)	
13	T 7 W E 1 5 2 0 8	H. P. SWITCH UL4.14MPA	1	1	1	1	63H	
14	R 0 1 M 3 1 2 0 2	THERMISTOR W	1	1	1	1	TH6 (Suction Pipe) TH7 (Ambient)	Combined Port
15	T 7 W E 1 3 4 1 3	CHARGE PLUG/LB54	1	1	1	1		Lo
16	R 0 1 E 1 2 4 1 3	CHARGE PLUG/LB90	1	1	1	1		Hi
17	T 7 W F 0 0 2 4 2	SOLENOID COIL (21S4)	1	1	1	1	21S4	Includes SCREW
18	R 0 1 E 4 0 4 0 3	4WAY VALVE	1	1	1	1	21S4	
19	R 0 1 E 1 6 4 9 0	OIL SEPARATOR	1	1	1	1		
20	R 0 1 E 0 2 4 2 6	CT ASSY	1	1	1	1		
21	T 7 W E 9 1 2 4 2	SOLENOID COIL (SV)	1	1	1	1	SV1	Includes SCREW
22	T 7 W E 1 1 4 2 8	SV1 ASSY	1	1	1	1	SV1	
23	R 0 1 E 1 4 2 0 8	H. P. SENSOR	1	1	1	1	63HS	
24	R 0 1 E 0 4 2 0 9	LOW PRESSURE SENSOR	1	1	1	1	63LS	
25	R 0 1 R 2 7 4 0 1	LEV ASSY-A	1	1	1	1	LEV-A	
26	R 0 1 H R 1 2 4 2	COIL (LEV)/XAP-5P WH	1	1	1	1	LEV-A	
27	T 7 W B 0 7 4 0 1	HIC & LEV-B ASSY	1	1	1	1	LEV-B	
28	R 0 1 H 5 8 2 4 2	COIL (LEV)/XAP-5P RED	1	1	1	1	LEV-B	
29	T 7 W E 1 5 4 1 0	STOP VALVE ASSY-3/8F	1	1	1	1		3/8
30	R 0 1 H 8 7 2 0 2	THERMISTOR	1	1	1	1	TH3 (Outdoor Liquid Pipe)	
31	R 0 1 M 0 3 3 5 0	CONTROLLER BOARD	1	1	1	1	MULTI.B.	
32	R 0 1 E 1 4 2 3 9	FUSE 6.3A 250V	2	2	2	2	F1, F2	6.3A 250V
33	R 0 1 E 0 7 3 1 1	M-NET POWER BOARD	1	1	1	1	M-NET P.B.	
34	R 0 1 M 0 5 3 5 3	POWER BOARD	1	1	1	1	P.B.	
35	R 0 1 A 2 2 3 7 1	HEAT SINK	1	1	1	1		Includes SCREWS
36	T 7 W 6 0 3 2 4 6	T.B./L1.L2.GR	1	1	1	1	TB1	3P (L1, L2, GR)
37	R 0 1 E 2 7 2 4 6	T.B./M1.M2.S	2	2	2	2	TB3, TB7	3P (M1, M2, S)
38	R 0 1 E 5 6 2 5 9	REACTOR	3	3	3	3	DCL	
39	R 0 1 M 1 5 2 0 2	THERMISTOR (HS)	1	1	1	1	TH8 (Heat Sink)	
40	R 0 1 U 0 0 6 0 2	COMP FELT-U/ANB	1	1	1	1		

**FUNCTIONAL PARTS**  
**PUMY-P60NKMU3**

**PUMY-P60NKMU3-BS**

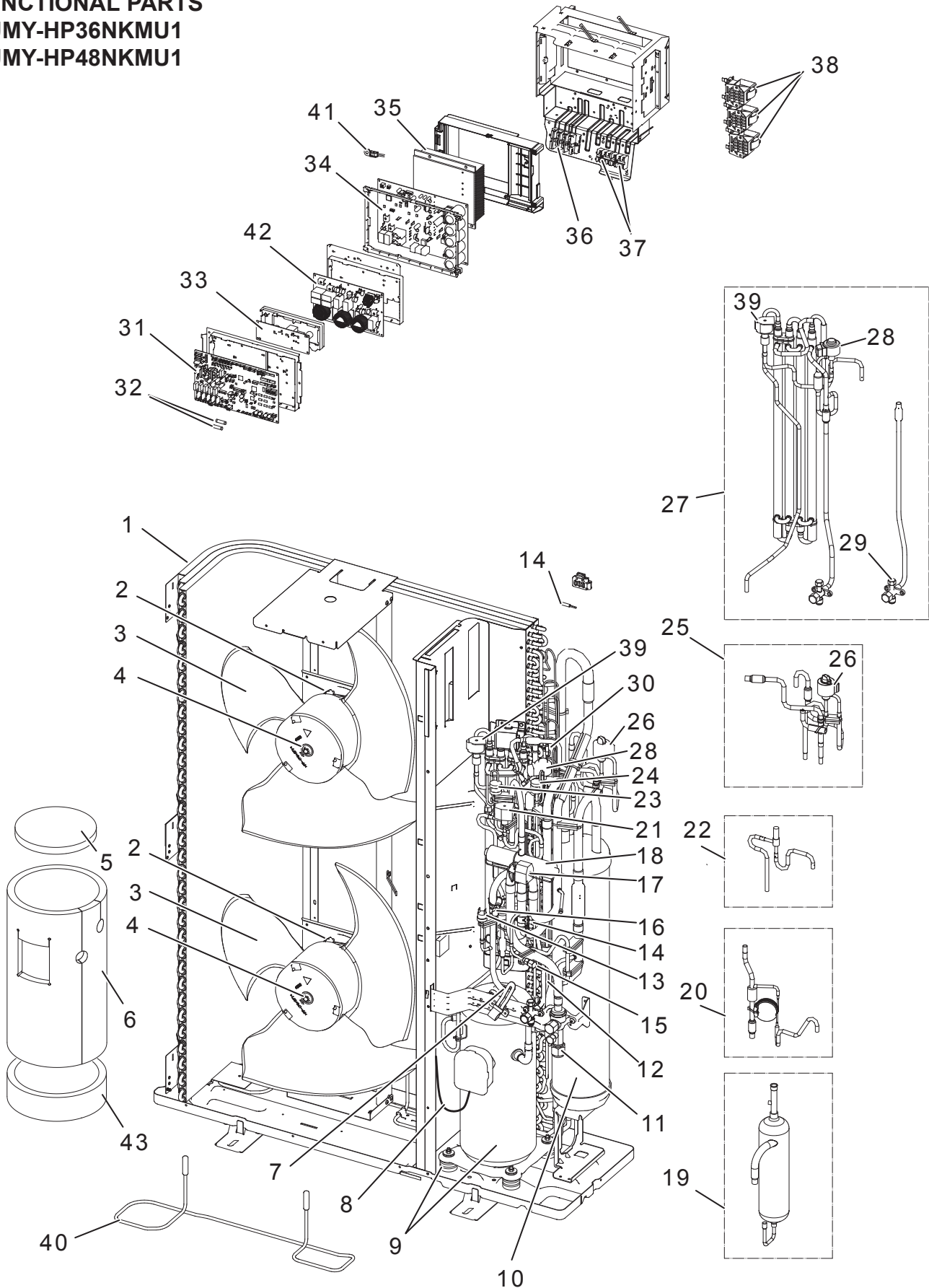


1. The part quantity below indicates the required number of pieces per unit.
2. The circled No. indicates that the part is not shown in the figure.

No.	Parts No.	Parts Name	PUMY-P60KMU3	PUMY-P60KMU3-BS	Wiring Diagram Symbol	Remarks [Drawing No.]
1	R 0 1 H 6 6 4 0 8	HEAT EXCHANGER	1	1		
2	T 7 W A 1 2 2 2 1	FAN MOTOR	2	2	MF1, MF2	
3	R 0 1 E 1 6 1 1 5	PROPELLER FAN/D550	2	2		
4	R 0 1 E 1 6 0 9 7	CAP NUT (MEC) M6	2	2		
5	T 7 W A 1 5 6 0 2	COMP FELT (TOP)	1	1		
6	T 7 W B 0 5 6 0 2	COMP FELT-B/ANB52	1	1		
7	R 0 1 E 3 6 2 0 1	THERMISTOR(SHELL)	1	1	TH4 (Compressor)	
8	R 0 1 C 1 2 5 1 0	LEAD ASSY COMP	1	1		
9	T 9 7 4 7 9 0 7 7	COMPRESSOR	1	1	MC	ANB52FYDMT Includes RUBBER MOUNT
10	R 0 1 H 6 7 4 4 0	ACCUMULATOR	1	1		
11	T 7 W E 1 3 4 1 1	BALL VALVE & STRAINER	1	1		3/4
12	R 0 1 M 3 0 2 0 2	THERMISTOR	1	1	TH2 (HIC Pipe)	
13	T 7 W E 1 5 2 0 8	H. P. SWITCH UL4.14MPA	1	1	63H	
14	R 0 1 M 3 1 2 0 2	THERMISTOR W	1	1	TH6 (Suction Pipe) TH7 (Ambient)	Combined Port
15	R 0 1 E 1 2 4 1 3	CHARGE PLUG/LB90	1	1		Lo
16	R 0 1 E 1 2 4 1 3	CHARGE PLUG/LB90	1	1		Hi
17	T 7 W F 0 0 2 4 2	SOLENOID COIL (21S4)	1	1	21S4	Includes SCREW
18	T 7 W E 0 9 4 0 3	4WAY VALVE	1	1	21S4	
19	R 0 1 E 1 4 4 9 0	OIL SEPARATOR	1	1		
20	T 7 W H 0 6 4 2 6	CT ASSY	1	1		
21	T 7 W E 9 1 2 4 2	SOLENOID COIL (SV)	1	1	SV1	Includes SCREW
22	T 7 W E 1 2 4 2 8	SV1 ASSY	1	1	SV1	
23	R 0 1 E 1 4 2 0 8	H. P. SENSOR	1	1	63HS	
24	R 0 1 E 0 4 2 0 9	LOW PRESSURE SENSOR	1	1	63LS	
25	T 7 W H 6 1 4 0 1	LEV ASSY-A/C-HIC	1	1	LEV-A	
26	R 0 1 H 3 9 2 4 2	COIL (LEV)/XAP-5P WH	1	1	LEV-A	
27	T 7 W B 0 8 4 0 1	HIC & LEV-B ASSY	1	1	LEV-B	
28	R 0 1 H 5 8 2 4 2	COIL (LEV)/XAP-5P RED	1	1	LEV-B	
29	T 7 W E 1 6 4 1 0	STOP VALVE ASSY-3/8F	1	1		3/8
30	R 0 1 H 8 7 2 0 2	THERMISTOR	1	1	TH3 (Outdoor Liquid Pipe)	
31	T 7 W M 0 8 3 1 5	CONTROLLER BOARD	1	1	MULTI.B.	
32	R 0 1 E 1 4 2 3 9	FUSE 6.3A 250V	2	2	F1, F2	6.3A 250V
33	R 0 1 E 0 7 3 1 1	M-NET POWER BOARD	1	1	M-NET P.B.	
34	T 7 W M 0 1 3 2 3	POWER BOARD	1	1	P.B.	
35	R 0 1 A 2 3 3 7 1	HEAT SINK	1	1		Includes SCREWS
36	T 7 W 6 0 3 2 4 6	T.B./L1.L2.GR	1	1	TB1	3P (L1, L2, GR)
37	R 0 1 E 2 7 2 4 6	T.B./M1.M2.S	2	2	TB3, TB7	3P (M1, M2, S)
38	R 0 1 E 5 6 2 5 9	REACTOR	3	3	DCL	
39	R 0 1 M 1 6 2 0 2	THERMISTOR (HS)	1	1	TH8 (Heat Sink)	
40	T 7 W E 3 9 3 4 6	NOISE FILTER	1	1	N.F.	
41	R 0 1 U 0 0 6 0 2	COMP FELT-U/ANB	1	1		



**FUNCTIONAL PARTS**  
**PUMY-HP36NKMU1**  
**PUMY-HP48NKMU1**





1. The part quantity below indicates the required number of pieces per unit.
2. The circled No. indicates that the part is not shown in the figure.

No.	Parts No.	Parts Name	PUMY-HP36NKMU1	PUMY-HP48NKMU1	Wiring Diagram Symbol	Remarks [Drawing No.]
1	R 0 1 R 6 5 4 0 8	HEAT EXCHANGER	1	1		
2	T 7 W A 1 0 2 2 1	FAN MOTOR	2	2	MF1, MF2	
3	R 0 1 E 1 6 1 1 5	PROPELLER FAN/D550	2	2		
4	R 0 1 E 1 6 0 9 7	CAP NUT (MEC) M6	2	2		
5	R 0 1 A 5 7 6 0 2	COMP FELT (TOP)	1	1		
6	T 7 W B 0 3 6 0 2	COMP FELT-B/ANB33FJ	1	1		
7	R 0 1 E 3 6 2 0 1	THERMISTOR(SHELL)	1	1	TH4 (Compressor)	
8	R 0 1 C 1 3 5 1 0	LEAD ASSY COMP	1	1		
9	T 9 7 4 4 3 0 7 7	COMPRESSOR	1	1	MC	ANB33FJSMT Includes RUBBER MOUNT
10	R 0 1 E 8 1 4 4 0	ACCUMULATOR	1	1		
11	T 7 W E 1 1 4 1 1	BALL VALVE & STRAINER	1	1		5/8
12	R 0 1 M 3 0 2 0 2	THERMISTOR	1	1	TH2 (HIC Pipe)	
13	T 7 W E 1 5 2 0 8	H. P. SWITCH UL4.14MPA	1	1	63H	
14	R 0 1 M 3 1 2 0 2	THERMISTOR W	1	1	TH6 (Suction Pipe) TH7 (Ambient)	Combined Port
15	T 7 W E 1 3 4 1 3	CHARGE PLUG/LB54	1	1		Lo
16	R 0 1 E 1 2 4 1 3	CHARGE PLUG/LB90	1	1		Hi
17	T 7 W F 0 0 2 4 2	SOLENOID COIL (21S4)	1	1	21S4	Includes SCREW
18	R 0 1 E 4 0 4 0 3	4WAY VALVE	1	1	21S4	
19	R 0 1 E 1 6 4 9 0	OIL SEPARATOR	1	1		
20	R 0 1 E 0 2 4 2 6	CT ASSY	1	1		
21	T 7 W E 9 1 2 4 2	SOLENOID COIL (SV)	1	1	SV1	Includes SCREW
22	T 7 W E 1 1 4 2 8	SV1 ASSY	1	1	SV1	
23	R 0 1 E 1 4 2 0 8	H. P. SENSOR	1	1	63HS	
24	R 0 1 E 0 4 2 0 9	LOW PRESSURE SENSOR	1	1	63LS	
25	R 0 1 R 2 7 4 0 1	LEV ASSY-A	1	1	LEV-A	
26	R 0 1 H R 1 2 4 2	COIL (LEV)/XAP-5P WH	1	1	LEV-A	
27	T 7 W B 0 9 4 0 1	HIC & LEV-B ASSY	1	1	LEV-B	
28	R 0 1 H 5 8 2 4 2	COIL (LEV)/XAP-5P RED	1	1	LEV-B	
29	T 7 W E 1 5 4 1 0	STOP VALVE ASSY-3/8F	1	1		3/8
30	R 0 1 H 8 7 2 0 2	THERMISTOR	1	1	TH3 (Outdoor Liquid Pipe)	
31	R 0 1 M 0 3 3 5 0	CONTROLLER BOARD	1	1	MULTI.B.	
32	R 0 1 E 1 4 2 3 9	FUSE 6.3A 250V	2	2	F1, F2	6.3A 250V
33	R 0 1 E 0 7 3 1 1	M-NET POWER BOARD	1	1	M-NET P.B.	
34	T 7 W M 0 1 3 2 3	POWER BOARD	1	1	P.B.	
35	R 0 1 A 2 3 3 7 1	HEAT SINK	1	1		Includes SCREWS
36	T 7 W 6 0 3 2 4 6	T.B./L1.L2.GR	1	1	TB1	3P (L1, L2, GR)
37	R 0 1 E 2 7 2 4 6	T.B./M1.M2.S	2	2	TB3, TB7	3P (M1, M2, S)
38	R 0 1 E 5 6 2 5 9	REACTOR	3	3	DCL	
39	T 7 W E 7 2 2 4 2	SOLENOID COIL (SV)	1	1	SV2	Includes SCREW
40	T 7 W B 0 3 3 0 0	BASE HEATER	1	1	BH, THP	
41	R 0 1 M 1 6 2 0 2	THERMISTOR (HS)	1	1	TH8 (Heat Sink)	
42	T 7 W E 3 9 3 4 6	NOISE FILTER	1	1	N.F.	
43	R 0 1 U 0 0 6 0 2	COMP FELT-U/ANB	1	1		

## 2

## OPTIONAL PARTS

Parts name	Parts No.
AIR OUTLET GUIDE*1	PAC-SH96SG-E
DRAIN SOCKET *2	PAC-SG61DS-E
CENTRALIZED DRAIN PAN*2	PAC-SH97DP-E
DEFROST HEATER	PAC-SJ20BH-E
2 BRANCH PIPE (Joint)	CMY-Y62-G-E
4 BRANCH PIPE (Joint)	CMY-Y64-G-E
8 BRANCH PIPE (Joint)	CMY-Y68-G-E
JOINT PIPE (Unit → Extension pipe)	MAC-A454JP-E (ø3/8 [9.52] → ø1/2 [12.7])
	PAC-SG76RJ-E (ø3/8 [9.52] → ø5/8 [15.88])
	PAC-SG75RJ-E (ø5/8 [15.88] → ø3/4 [19.05])*3
	PAC-493PI (ø1/4 [6.35] → ø3/8 [9.52])
	MAC-A456JP-E (ø1/2 [12.7] → ø5/8 [15.88])
EXTERNAL LEV BOX	PAC-SG95LE-E

\*1: Need 2 pieces

\*2: Only for PUMY-P series

It can not be used with DEFROST HEATER.

\*3: Only for PUMY-P60

## MITSUBISHI ELECTRIC CORPORATION

HEAD OFFICE: TOKYO BUILDING, 2-7-3, MARUNOUCHI, CHIYODA-KU, TOKYO 100-8310, JAPAN

©Copyright 2020 MITSUBISHI ELECTRIC CORPORATION  
 Issued: Jul. 2022 No. OCB733 REVISED EDITION-A  
 Published: Feb. 2020 No. OCB733  
 Made in Japan

Specifications are subject to change without notice.