

MANUFACTURED FOR:
MITSUBISHI ELECTRIC US, INC.

Wind Baffle WB-PA3

for use with:

PUZ-HA42NKA; PUMY-P60NKMU;
PUMY-P36/P48/P60NKMU1; PUY/Z-A36/A42NKA7
Outdoor Units

INSTALLATION MANUAL

FOR INSTALLER

English

For safe and correct use, please read this installation manual thoroughly before installing the advanced wind baffles.

⚠ WARNING! MOVING PARTS. INCORRECT HANDLING COULD LEAD TO DEATH OR INJURY!

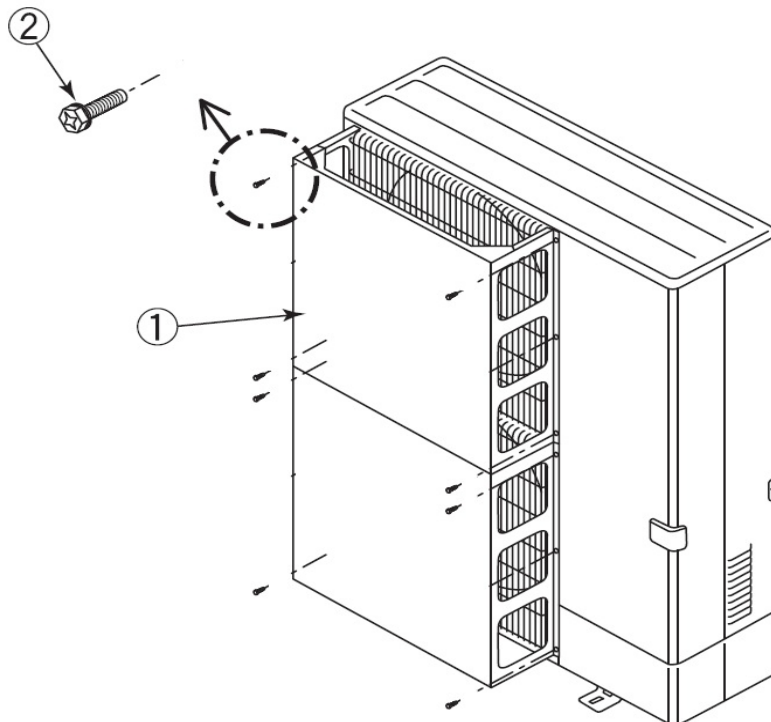
IMPORTANT! Outdoor Unit should be installed with back coil surface facing a wall or oriented so the wind does NOT blow directly on to the back coil surface. Do not install this product where there is any obstacle at either side or above the outdoor unit. If the discharge air is obstructed the air may be short cycled.

STEPS:

1. Position wind baffle over fan guard and line up with pre-punched holes.
Install lower wind baffle first to ease installation.

ENSURE BAFFLE OUTLETS WILL NOT BE BLOCKED OR OBSTRUCTED !

2. Insert the provided self-tapping screws into the top holes first.
3. Install remaining screws and tighten all 4 screws securely. Repeat with all baffles.



This product is designed and intended for use in commercial and light-industrial environment.

Please be sure to put the contact address/telephone number on this manual before handing it to the customer.

Manufactured for MITSUBISHI ELECTRIC US, INC.

www.mitsubishielectric-usa.com

Toll Free: 800-433-4822