

# WB-PA4 Front Wind Baffle



Job Name:

System Reference:

Date:



### GENERAL FEATURES

- Front Wind Baffles allow outdoor units to operate at full capacity down to the temperature ranges shown in the table below.
- Prevents wind from reversing outdoor fan rotation when unenergized.
- Durable and low maintenance construction.

### PLEASE NOTE

- Install outdoor units with the back surface facing wall side to eliminate the effects of external wind
- Outdoor units should not be installed in an orientation or site where the wind blows directly at the back of the unit
- Wind baffle should not be used where there is any obstacle at either side or above the outdoor unit as the discharged air will be blocked
- Refer to outdoor unit for detailed installation instructions

### SPECIFICATIONS

Exterior			
Color	Surface Treatment	Material	Weight
Matches P-Series Outdoor Unit (Ivory Munsell 3Y 7.8/1.1)	Polyester Powder Coating	Alloy Hot-Dip Zinc Coated Carbon Steel Sheet	7 Lbs. 7.9 Oz.

### APPLICATION

- The Wind Baffles are used to extend the cooling temperature operation range of the PUY, PUZ and MXZ models
- The information below outlines which wind baffles to utilize per required operation range
- Please refer to the installation manual of the appropriate outdoor unit for correct installation requirements

### COOLING TEMPERATURE OPERATION RANGE WITH WIND BAFFLES

Model Series	Operation Range Without Wind Baffles	Front Wind Baffles	Front + Advanced Side + Advanced Rear Wind Baffles
PUZ-7	23°F - 115°F	0°F	N/A
PUY-7	23°F - 115°F	0°F	-40°F
MXZ	23°F - 115°F	0°F	N/A

\*\*If unit is exposed without wall surfaces surrounding for protection from wind, then side and rear wind baffles will be required. Please refer to installation dimensions and outdoor unit installation manual for appropriate requirements.

### COMPATIBILITY

Single Zone	WB-PA4 (Qty)
PUY-A12NKA7(-BS)	1
PUY-A18NKA7(-BS)	1
PUZ-A12NKA7(-BS)	1
PUZ-A18NKA7(-BS)	1

## APPENDIX - PREVIOUS GENERATION COMPATIBILITY

Models	Front Wind Baffles				Advanced Side Wind Baffles			Advanced Rear Wind Baffles		
	WB-PA1	WB-PA2 <sup>(1)</sup>	WB-PA3	WB-PA5	WB-SD1	WB-SD2 <sup>(2)</sup>	WB-SD3	WB-RE1	WB-RE2 <sup>(3)</sup>	WB-RE3
PUY/Z-A-A12NHA4	1									
PUY/Z-A-A18NHA4	1									
PUY/Z-A-A24NHA4		1								
PUY/Z-A-A30NHA4		1								
PUY/Z-A-A36NHA4		1								
PUY/Z-A-A42NHA4		2								
PUY/Z-A-A42NHA5		2								
PUZ-HA30NHA4		2								
PUZ-HA36NHA4		2								
PUMY-P36NHMU				2						
PUMY-P36NKMU1			2							
PUMY-P48NHMU				2						
PUMY-P48NKMU1			2							
PUMY-P60NKMU1			2							
PUY/Z-A12NHA6	1				1			1		
PUY/Z-A18NHA6	1				1			1		
PUY/Z-A24NHA6		1				1			1	
PUY/Z-A30NHA6		1				1			1	
PUY/Z-A36NHA6		1				1			1	
PUY/Z-A42NHA6		2					1			1

<sup>(1)</sup>WB-PA2 is replaced by WB-PA5

<sup>(2)</sup>WB-SD2 is replaced by WB-SD5

<sup>(3)</sup>WB-RE2 is replaced by WB-RE5

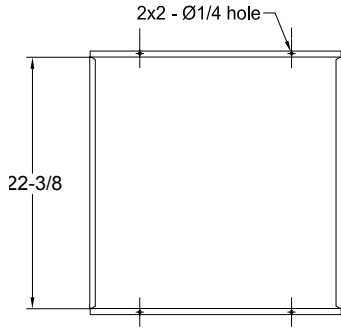
### COOLING TEMPERATURE OPERATION RANGE WITH WIND BAFFLES

Model Series	Operation Range Without Wind Baffles	Front Wind Baffles	Front + Advanced Side + Advanced Rear Wind Baffles
PUZ-4	23°F - 115°F	0°F	N/A
PUY-4	23°F - 115°F	0°F	N/A
PUZ-5	23°F - 115°F	0°F	N/A
PUY-5	23°F - 115°F	0°F	N/A
PUZ-6	23°F - 115°F	0°F	N/A
PUY-6*	23°F - 115°F	0°F	-20°F
PUMY**	23°F - 115°F	5°F	N/A

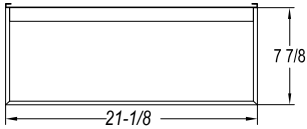
\*PUY-A42NHA6 units do not have the extended cooling range below 0° F

\*\*Operation range varies based on indoor unit connected, refer to service manual for applicable indoor units

# DIMENSIONS: WB-PA4



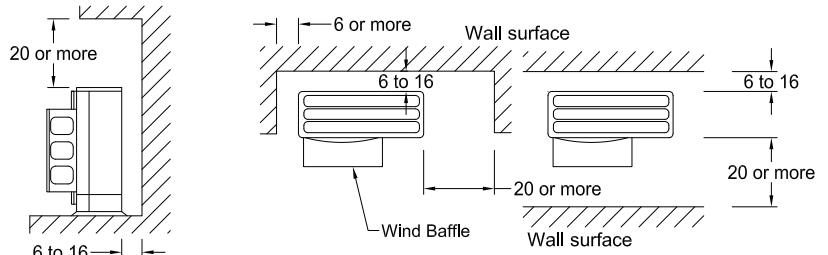
Back View



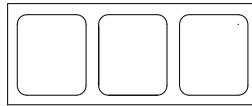
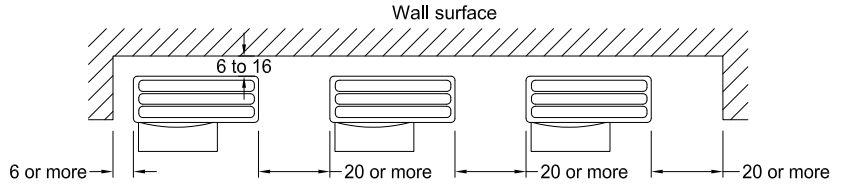
Side View

### Requirements of space for installation

(1) One unit installation:



(2) Multiple Unit Installation: Installation of multiple units in series must be no more than five units.



Top View

ALL DIMENSIONS IN INCHES  
ALL DIMENSIONS  $\pm 1/32$ "

1340 Satellite Boulevard Suwanee, GA 30024  
Toll Free: 800-433-4822 [www.mehvac.com](http://www.mehvac.com)