

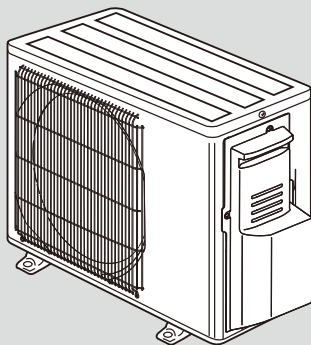
OUTDOOR UNIT PARTS CATALOG

**No. OBB684
REVISED EDITION-C**

Models

MUZ-FH06NA
 MUZ-FH09NA
 MUZ-FH09NA - 1
 MUZ-FH12NA
 MUZ-FH12NA - 1
 MUZ-FH15NA
 MUZ-FH18NA
 MUZ-FH18NA2

MUZ-FH06NAH
 MUZ-FH09NAH
 MUZ-FH09NAH - 1
 MUZ-FH12NAH
 MUZ-FH12NAH - 1
 MUZ-FH15NAH
 MUZ-FH18NAH
 MUZ-FH18NAH2



MUZ-FH06NA MUZ-FH06NAH
 MUZ-FH09NA MUZ-FH09NAH
 MUZ-FH12NA MUZ-FH12NAH

CONTENTS

- | | |
|-----------------------------|----|
| 1. SERVICE PARTS LIST | 2 |
| 2. OPTIONAL PARTS | 10 |

SERVICE MANUAL (OBH684)

Revision A:

• MUZ-FH18NA and MUZ-FH18NAH have been added.

Revision B:

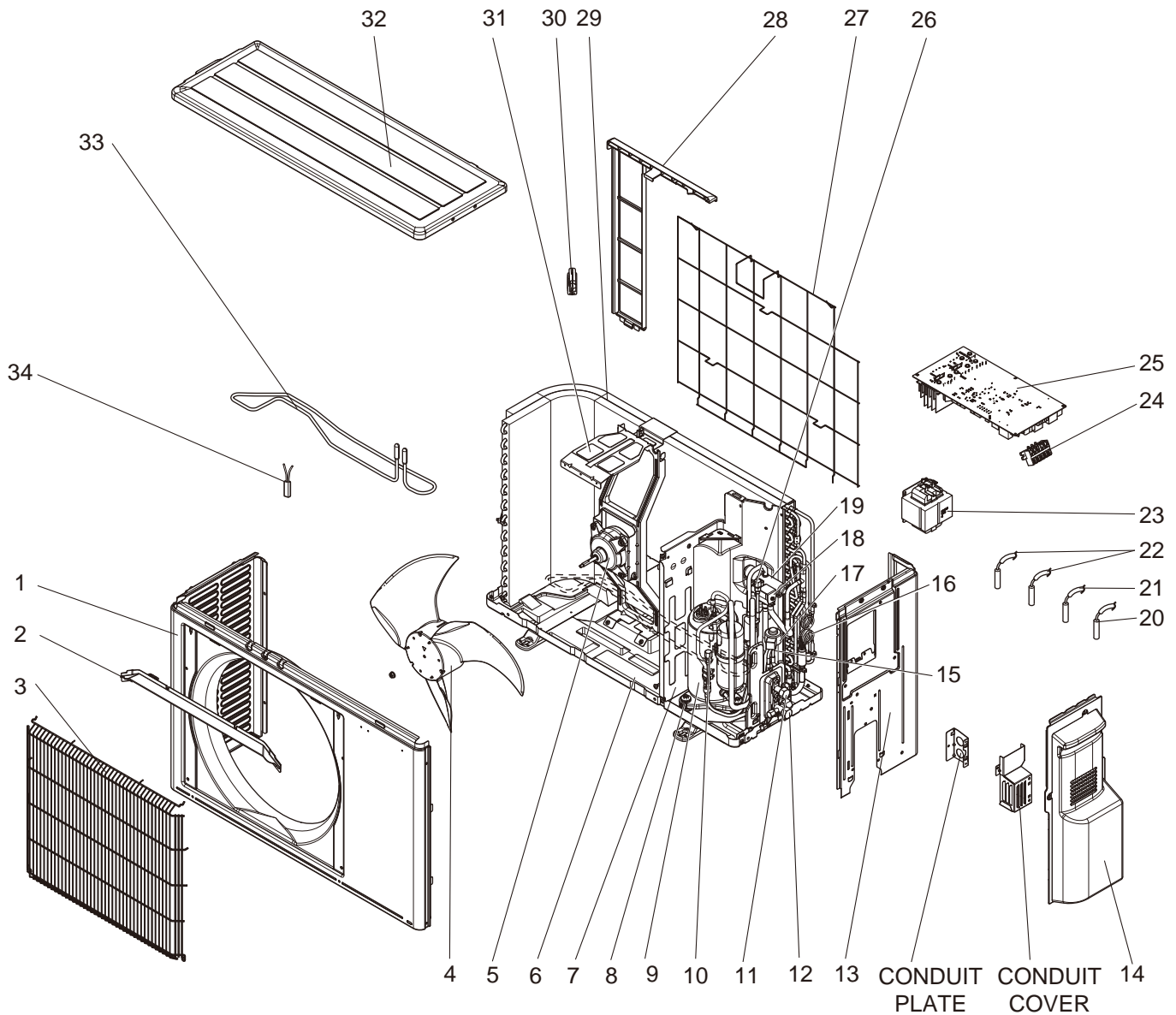
• MUZ-FH06NA, MUZ-FH09/12NA- [1], MUZ-FH18NA2, MUZ-FH06NAH, MUZ-FH09/12NAH- [1] and MUZ-FH18NAH2 have been added.

Revision C:

• Some descriptions have been modified.

1 SERVICE PARTS LIST

MUZ-FH09NA MUZ-FH09NAH MUZ-FH12NA MUZ-FH12NAH
1-1. OUTDOOR UNIT STRUCTURAL PARTS, ELECTRICAL PARTS AND FUNCTIONAL PARTS

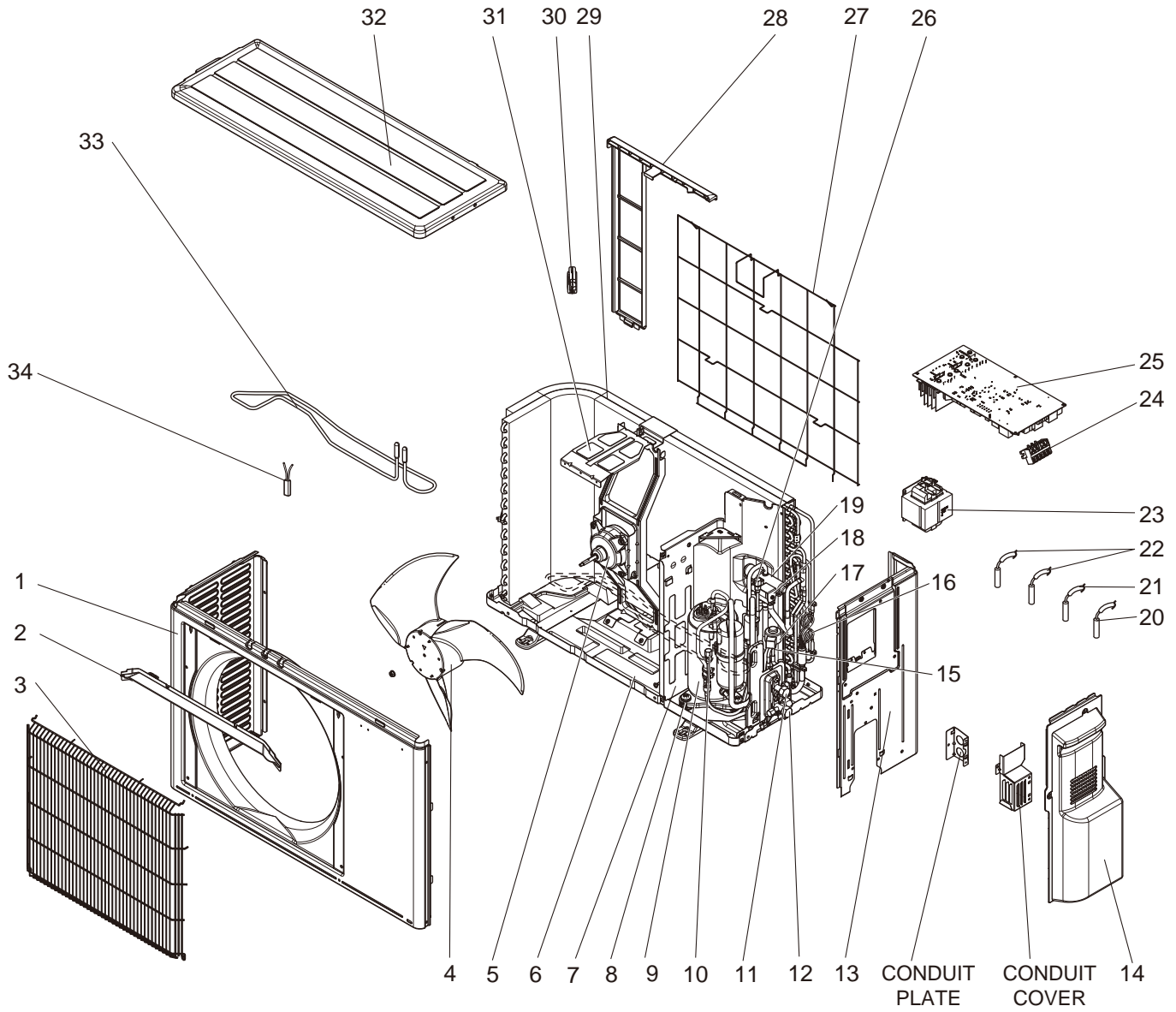


1-1. OUTDOOR UNIT STRUCTURAL PARTS, ELECTRICAL PARTS AND FUNCTIONAL PARTS

Part number that is circled is not shown in the illustration.

No.	Part No.	Part Name	Symbol in Wiring Diagram	Q'ty/unit				Remarks
				MUZ-FH				
				09NA	09NAH	12NA	12NAH	
1	E12 L85 232	CABINET		1	1	1	1	
2	E12 J63 531	ICE GUARD		1	1	1	1	
3	E12 J63 521	GRILLE		1	1	1	1	
4	E12 927 501	PROPELLER FAN		1	1	1	1	
5	E12 L85 301	OUTDOOR FAN MOTOR	MF	1	1	1	1	RC0J55-□□
6	E12 A82 290	BASE		1		1		
6	E12 G68 290	BASE			1		1	
7	E12 G11 293	SEPARATOR		1		1		
7	E12 G14 293	SEPARATOR			1		1	
8	E12 C34 506	COMPRESSOR RUBBER SET		3	3	3	3	3 RUBBERS/SET
9	E12 L85 900	COMPRESSOR	MC	1	1			SNB092FQAMT
9	E12 L86 900	COMPRESSOR				1	1	SNB140FQUMT
10	E12 E79 641	SERVICE PORT (L)		1	1	1	1	
11	E12 927 662	STOP VALVE (LIQUID)		1	1	1	1	ø3/8 (ø9.52)
12	E12 L85 661	STOP VALVE (GAS)		1	1	1	1	ø1/4 (ø6.35)
13	E12 L85 233	BACK PANEL		1	1	1	1	
14	E12 L85 245	SERVICE PANEL		1	1	1	1	
15	E12 A54 640	EXPANSION VALVE		1	1	1	1	
16	E12 F35 936	CAPILLARY TUBE		4	4	4	4	O.D. 0.118 × I.D. 0.079 × 8-9/32 (ø3.0 × ø2.0 × 210)
17	E12 G10 493	EXPANSION VALVE COIL	LEV	1	1	1	1	
18	E12 A56 961	4-WAY VALVE		1	1	1	1	
19	E12 L85 490	R.V. COIL	21S4	1	1	1	1	
20	E12 D65 308	AMBIENT TEMPERATURE THERMISTOR	RT65	1	1	1	1	
21	E12 E05 307	OUTDOOR HEAT EXCHANGER TEMPERATURE THERMISTOR	RT68	1	1	1	1	
22	E12 L85 306	THERMISTOR SET	RT61, RT62	1	1	1	1	DEFROST, DISCHARGE
23	E12 G11 337	REACTOR	L61	1	1	1	1	
24	E12 L85 374	TERMINAL BLOCK	TB	1	1	1	1	5 P
25	E12 L85 451	INVERTER P.C. BOARD		1				Includes heat sink and RT64
25	E12 L91 451	INVERTER P.C. BOARD			1			Includes heat sink and RT64
25	E12 L86 451	INVERTER P.C. BOARD				1		Includes heat sink and RT64
25	E12 L92 451	INVERTER P.C. BOARD					1	Includes heat sink and RT64
26	E12 L85 641	SERVICE PORT (H)		1	1	1	1	
27	E12 930 525	CONDENSER WIRE NET		1	1	1	1	
28	E12 930 523	CONDENSER NET		1	1	1	1	
29	E12 L85 630	OUTDOOR HEAT EXCHANGER		1	1	1	1	
30	E12 D84 079	THERMO HOLDER		1	1	1	1	
31	E12 929 515	MOTOR SUPPORT		1	1	1	1	
32	E12 L85 297	TOP PANEL		1	1	1	1	
33	E12 J50 526	DEFROST HEATER	H		1		1	Includes lead assembly
34	E12 D65 381	HEATER PROTECTOR	26H		1		1	
③⑤	E12 J47 936	CAPILLARY TUBE		1	1	1	1	O.D. 0.157 × I.D. 0.094 × 9-7/16 (ø4.0 × ø2.4 × 240)

**MUZ-FH06NA MUZ-FH06NAH
 MUZ-FH09NA- 1 MUZ-FH09NAH- 1 MUZ-FH12NA- 1 MUZ-FH12NAH- 1
 1-2. OUTDOOR UNIT STRUCTURAL PARTS, ELECTRICAL PARTS AND FUNCTIONAL PARTS**

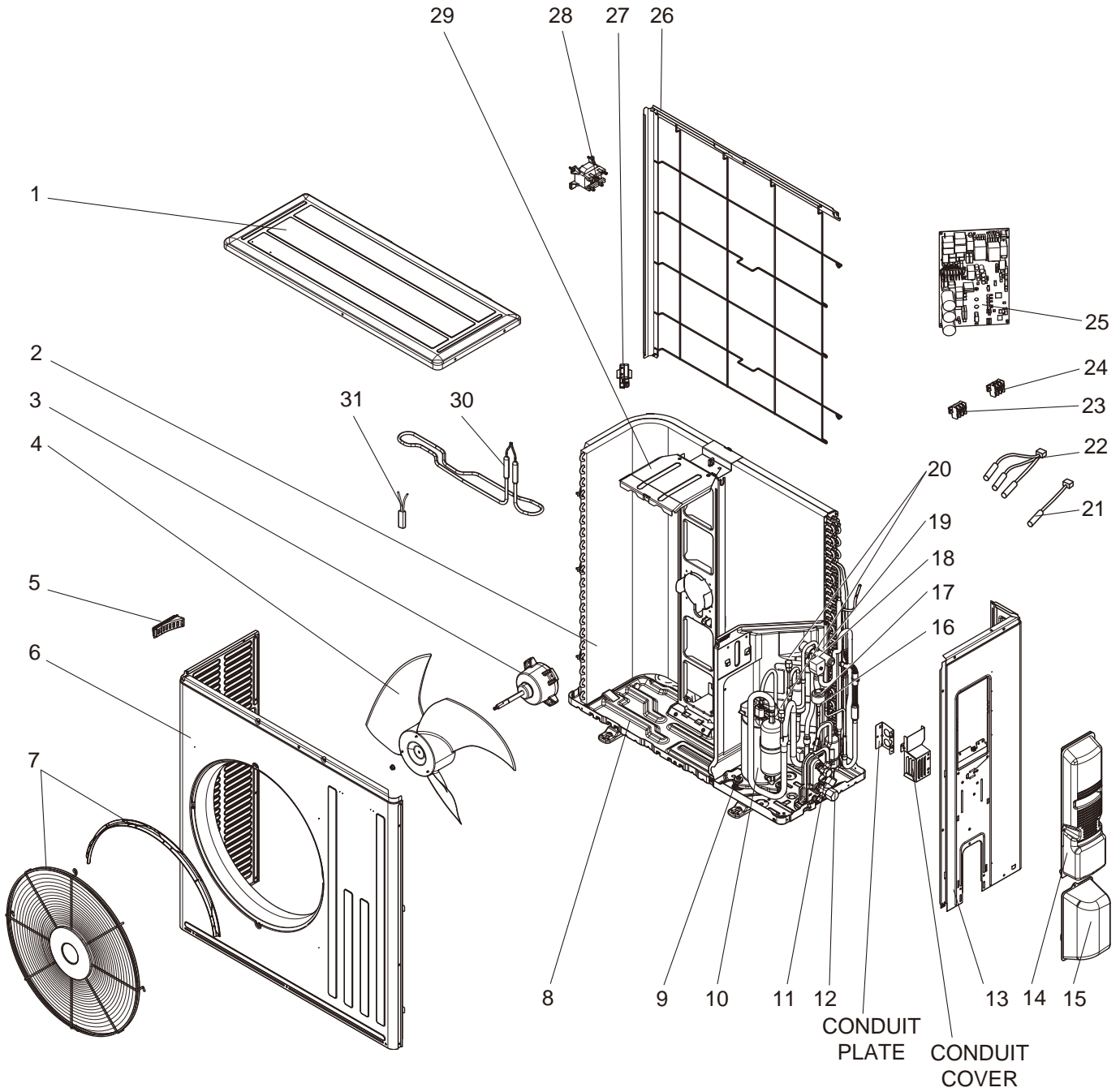


1-2. OUTDOOR UNIT STRUCTURAL PARTS, ELECTRICAL PARTS AND FUNCTIONAL PARTS

Part number that is circled is not shown in the illustration.

No.	Part No.	Part Name	Symbol in Wiring Diagram	Q'ty/unit						Remarks
				MUZ-FH						
				06 NA	06 NAH	09 NA-□	09 NAH-□	12 NA-□	12 NAH-□	
1	U01 A01 232	CABINET		1	1	1	1	1	1	
2	U01 A01 531	ICE GUARD		1	1	1	1	1	1	
3	U01 A01 521	GRILLE (OUT)		1	1	1	1	1	1	
4	U01 A01 501	PROPELLER FAN		1	1	1	1	1	1	
5	U01 A01 301	OUTDOOR FAN MOTOR	MF	1	1	1	1	1	1	RC0J55-□□
6	U01 A01 290	BASE			1		1		1	
6	U01 A02 290	BASE		1		1		1		
7	U01 A01 293	SEPARATOR			1		1		1	
7	U01 A02 293	SEPARATOR		1		1		1		
8	U01 A01 506	COMPRESSOR RUBBER SET		3	3	3	3	3	3	3 RUBBERS/SET
9	U01 A01 900	COMPRESSOR(SNB092FQAMT)	MC	1	1	1	1			SNB092FQAMT
	U01 A02 900	COMPRESSOR(SNB140FQUMT)						1	1	SNB140FQUMT
10	U01 A01 641	SERVICE PORT (L)		1	1	1	1	1	1	
11	U01 A01 662	STOP VALVE (LIQUID)		1	1	1	1	1	1	ø3/8 (ø9.52)
12	U01 A01 661	STOP VALVE (GAS)		1	1	1	1	1	1	ø1/4 (ø6.35)
13	U01 A01 233	BACK PANEL(OUT)		1	1	1	1	1	1	
14	U01 A01 245	SERVICE PANEL		1	1	1	1	1	1	
15	U01 A01 640	EXPANSION VALVE		1	1	1	1	1	1	
16	U01 A01 936	CAPILLARY TUBE		4	4	4	4	4	4	O.D. 0.118 × I.D. 0.079 × 8-9/32 (ø3.0 × ø2.0 × 210)
17	U01 A01 493	EXPANSION VALVE COIL	LEV	1	1	1	1	1	1	
18	U01 A01 961	4-WAY VALVE		1	1	1	1	1	1	
19	U01 A01 490	R.V. COIL	21S4	1	1	1	1	1	1	
20	U01 A02 308	AMBIENT TEMPERATURE THERMISTOR	RT65	1	1	1	1	1	1	
21	U01 A02 307	OUTDOOR HEAT EXCHANGER TEMPERATURE THERMISTOR	RT68	1	1	1	1	1	1	
22	U01 A01 306	THERMISTOR SET	RT61, RT62	1	1	1	1	1	1	DEFROST, DISCHARGE
23	U01 A01 337	REACTOR	L61	1	1	1	1	1	1	
24	U01 A01 374	TERMINAL BLOCK	TB	1	1	1	1	1	1	5 P
25	U01 A04 451	INVERTER P.C. BOARD		1						Includes heat sink and RT64
25	U01 A01 451	INVERTER P.C. BOARD			1					Includes heat sink and RT64
25	U01 A05 451	INVERTER P.C. BOARD				1				Includes heat sink and RT64
25	U01 A02 451	INVERTER P.C. BOARD					1			Includes heat sink and RT64
25	U01 A06 451	INVERTER P.C. BOARD						1		Includes heat sink and RT64
25	U01 A03 451	INVERTER P.C. BOARD							1	Includes heat sink and RT64
26	U01 A02 641	SERVICE PORT (H)		1	1	1	1	1	1	
27	U01 A01 525	CONDENSER WIRE NET		1	1	1	1	1	1	
28	U01 A01 523	CONDENSER NET		1	1	1	1	1	1	
29	U01 A01 630	OUTDOOR HEAT EXCHANGER		1	1	1	1	1	1	
30	U01 A01 079	THERMO HOLDER		1	1	1	1	1	1	
31	U01 A01 515	MOTOR SUPPORT		1	1	1	1	1	1	
32	U01 A01 297	TOP PANEL		1	1	1	1	1	1	
33	U01 A01 526	DEFROST HEATER	H		1		1		1	Includes lead assembly
34	U01 A01 381	HEATER PROTECTOR	26H		1		1		1	
③⑤	U01 A02 936	CAPILLARY TUBE		1	1	1	1	1	1	O.D. 0.157 × I.D. 0.094 × 9-7/16 (ø4.0 × ø2.4 × 240)

MUZ-FH15NA MUZ-FH15NAH MUZ-FH18NA2 MUZ-FH18NAH2
1-3. OUTDOOR UNIT STRUCTURAL PARTS, ELECTRICAL PARTS AND FUNCTIONAL
PARTS



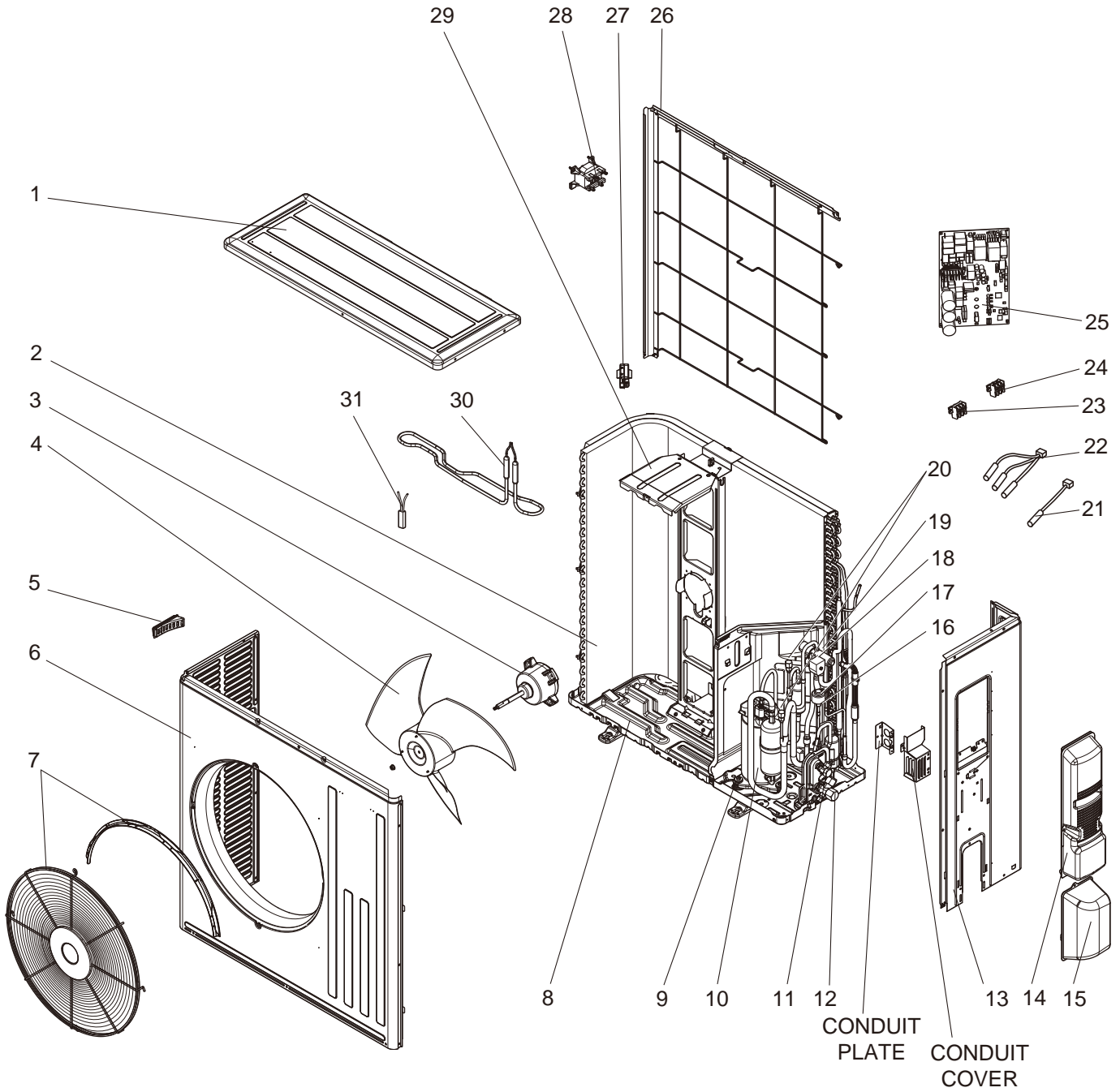
1-3. OUTDOOR UNIT STRUCTURAL PARTS, ELECTRICAL PARTS AND FUNCTIONAL PARTS

Part numbers that are circled are not shown in the illustration.

No.	Part No.	Part Name	Symbol in Wiring Diagram	Q'ty/unit				Remarks
				MUZ-FH				
				15NA	15NAH	18NA2	18NAH2	
1	E22 L87 297	TOP PANEL		1	1	1	1	
2	E22 L87 630	OUTDOOR HEAT EXCHANGER		1	1			
2	E22 T44 630	OUTDOOR HEAT EXCHANGER				1	1	
3	E22 F76 301	OUTDOOR FAN MOTOR	MF	1	1	1	1	RC0J77-□□
4	E22 F28 501	PROPELLER FAN		1	1	1	1	
5	E22 817 009	HANDLE		1	1	1	1	
6	E22 L87 232	CABINET		1	1	1	1	
7	E22 L87 521	FAN GUARD		1	1	1	1	Includes ice guard
8	E22 F28 290	BASE		1		1		
8	E22 H25 290	BASE			1		1	
9	E22 C34 506	COMPRESSOR RUBBER SET		3	3	3	3	3 RUBBERS/SET
10	E22 F76 900	COMPRESSOR	MC	1	1	1	1	SNB172FQKMT
11	E22 L87 662	STOP VALVE (LIQUID)		1	1	1	1	ø1/4 (ø6.35)
12	E22 L87 661	STOP VALVE (GAS)		1	1	1	1	ø1/2 (ø12.7)
13	E22 L87 233	BACK PANEL (OUT)		1	1	1	1	
14	E22 L87 245	SERVICE PANEL		1	1	1	1	
15	E22 F28 650	VALVE COVER		1	1	1	1	
16	E22 851 640	EXPANSION VALVE		1	1	1	1	
17	E22 F28 493	EXPANSION VALVE COIL	LEV	1	1	1	1	
18	E22 F76 490	R.V. COIL	21S4	1	1	1	1	
19	E22 A56 961	4-WAY VALVE		1	1	1	1	
20	E22 E79 641	SERVICE PORT (H, L)		2	2	2	2	
21	E22 J52 309	AMBIENT TEMPERATURE THERMISTOR	RT65	1	1	1	1	
22	E22 F28 308	THERMISTOR SET	RT61, RT62, RT68	1	1	1	1	DEFROST, DISCHARGE, OUTDOOR HEAT EXCHANGER TEMPERATURE
23	E22 L87 374	TERMINAL BLOCK	TB1	1	1	1	1	3 P
24	E22 F28 374	TERMINAL BLOCK	TB2	1	1			3 P
24	E22 T16 374	TERMINAL BLOCK	TB2			1	1	3 P
25	E22 R89 451	INVERTER P.C. BOARD		1				Includes heat sink and RT64
25	E22 R90 451	INVERTER P.C. BOARD			1			Includes heat sink and RT64
25	E22 T44 451	INVERTER P.C. BOARD				1		Includes heat sink and RT64
25	E22 T45 451	INVERTER P.C. BOARD					1	Includes heat sink and RT64
26	E22 L87 523	CONDENSER NET		1	1	1	1	
27	E22 F76 079	THERMO HOLDER		1	1	1	1	
28	E22 F28 337	REACTOR	L	1	1	1	1	
29	E22 J52 515	MOTOR SUPPORT		1	1	1	1	
30	E22 J52 526	DEFROST HEATER	H		1		1	
31	E22 J52 381	HEATER PROTECTOR	26H		1		1	
⑩	E27 250 382	FUSE	F65, F66	2	2	2	2	T6.3AL250V
⑩	E27 001 241	FUSE HOLDER		2	2	2	2	
⑩	E22 527 936	CAPILLARY TUBE		1	1	1	1	O.D. 0.157 x I.D. 0.094 x 3-15/16 (ø4.0 x ø2.4 x 100)

MUZ-FH18NA MUZ-FH18NAH

1-4. OUTDOOR UNIT STRUCTURAL PARTS, ELECTRICAL PARTS AND FUNCTIONAL PARTS



1-4. OUTDOOR UNIT STRUCTURAL PARTS, ELECTRICAL PARTS AND FUNCTIONAL PARTS

Part numbers that are circled are not shown in the illustration.

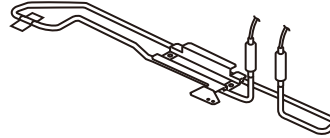
No.	Part No.	Part Name	Symbol in Wiring Diagram	Q'ty/unit		Remarks
				MUZ-FH		
				18NA	18NAH	
1	E12 L87 297	TOP PANEL		1	1	
2	E12 L87 630	OUTDOOR HEAT EXCHANGER		1	1	
3	E12 F76 301	OUTDOOR FAN MOTOR	MF	1	1	RC0J77-□□
4	E12 F28 501	PROPELLER FAN		1	1	
5	E12 817 009	HANDLE		1	1	
6	E12 L87 232	CABINET		1	1	
7	E12 L87 521	FAN GUARD		1	1	Includes ice guard
8	E12 F28 290	BASE		1		
8	E12 H25 290	BASE			1	
9	E12 C34 506	COMPRESSOR RUBBER SET		3	3	3 RUBBERS/SET
10	E12 F76 900	COMPRESSOR	MC	1	1	SNB172FQKMT
11	E12 L87 662	STOP VALVE (LIQUID)		1	1	ø1/4 (ø6.35)
12	E12 L87 661	STOP VALVE (GAS)		1	1	ø1/2 (ø12.7)
13	E12 L87 233	BACK PANEL (OUT)		1	1	
14	E12 L87 245	SERVICE PANEL		1	1	
15	E12 F28 650	VALVE COVER		1	1	
16	E12 851 640	EXPANSION VALVE		1	1	
17	E12 F28 493	EXPANSION VALVE COIL	LEV	1	1	
18	E12 F76 490	R.V. COIL	21S4	1	1	
19	E12 A56 961	4-WAY VALVE		1	1	
20	E12 E79 641	SERVICE PORT (H, L)		2	2	
21	E12 J52 309	AMBIENT TEMPERATURE THERMISTOR	RT65	1	1	
22	E12 F28 308	THERMISTOR SET	RT61, RT62, RT68	1	1	DEFROST, DISCHARGE, OUTDOOR HEAT EXCHANGER TEMPERATURE
23	E12 L87 374	TERMINAL BLOCK	TB1	1	1	3 P
24	E12 F28 374	TERMINAL BLOCK	TB2	1	1	3 P
25	E12 P77 451	INVERTER P.C. BOARD		1		Includes heat sink and RT64
25	E12 P78 451	INVERTER P.C. BOARD			1	Includes heat sink and RT64
26	E12 L87 523	CONDENSER NET		1	1	
27	E12 F76 079	THERMO HOLDER		1	1	
28	E12 F28 337	REACTOR	L	1	1	
29	E12 J52 515	MOTOR SUPPORT		1	1	
30	E12 J52 526	DEFROST HEATER	H		1	
31	E12 J52 381	HEATER PROTECTOR	26H		1	
③②	E17 250 382	FUSE	F65, F66	2	2	T6.3AL250V
③③	E17 001 241	FUSE HOLDER		2	2	
③④	E12 527 936	CAPILLARY TUBE		1	1	O.D. 0.157 x I.D. 0.094 x 3-15/16 (ø4.0 x ø2.4 x 100)

2

OPTIONAL PARTS

2-1. DEFROST HEATER

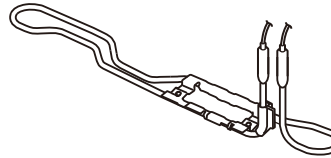
Model	Parts No.
MUZ-FH06NA MUZ-FH09NA MUZ-FH12NA	MAC-640BH-U



Components

①	Defrost heater	1	④	Cable tie	1
②	Aluminum tape	1	⑤	Self drilling screw	2
③	Heater support	1	⑥	Insulation	1

Model	Parts No.
MUZ-FH15NA MUZ-FH18NA MUZ-FH18NA2	MAC-642BH-U



Components

①	Defrost heater	1	④	Cable clamp	1
②	Heater support	1	⑤	Self drilling screw	2
③	Cable tie	1	⑥	Wiring diagram	1

Note: Refer to the installation manual for the installation.

MITSUBISHI ELECTRIC CORPORATION

HEAD OFFICE: TOKYO BUILDING, 2-7-3, MARUNOUCHI, CHIYODA-KU, TOKYO 100-8310, JAPAN

© Copyright 2014 MITSUBISHI ELECTRIC CORPORATION

Issued: Mar.2020. No. OBB684 REVISED EDITION-C

Issued: Oct. 2015. No. OBB684 REVISED EDITION-B

Issued: Dec. 2014. No. OBB684 REVISED EDITION-A

Published: Feb. 2014. No. OBB684

Made in Japan

Specifications are subject to change without notice.