

SPLIT-TYPE AIR CONDITIONERS

Revision A:
• Remarks of STOP VALVE (LIQUID)/ (GAS) for MUZ-FS06/09/12NA - U1 and MUZ-FS06/09/12NAH - U1 have been corrected.
OBB873 is void.

OUTDOOR UNIT PARTS CATALOG



No. OBB873
REVISED EDITION-A

Models

MUZ-FS06NA - U1

MUZ-FS09NA - U1

MUZ-FS12NA - U1

MUZ-FS15NA - U1

MUZ-FS18NA - U1

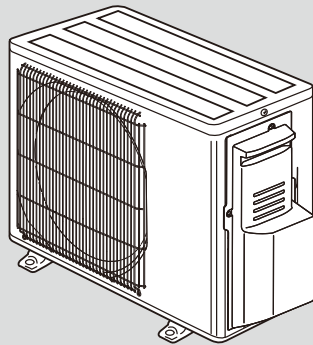
MUZ-FS06NAH - U1

MUZ-FS09NAH - U1

MUZ-FS12NAH - U1

MUZ-FS15NAH - U1

MUZ-FS18NAH - U1



MUZ-FS06NA MUZ-FS06NAH
MUZ-FS09NA MUZ-FS09NAH
MUZ-FS12NA MUZ-FS12NAH

CONTENTS

- 1. SERVICE PARTS LIST 2
- 2. OPTIONAL PARTS 8

SERVICE MANUAL (OBH873)

Revision A:

• Remarks of STOP VALVE (LIQUID)/(GAS) for MUZ-FS06/09/12NA - [U1] and MUZ-FS06/09/12NAH - [U1] have been corrected.

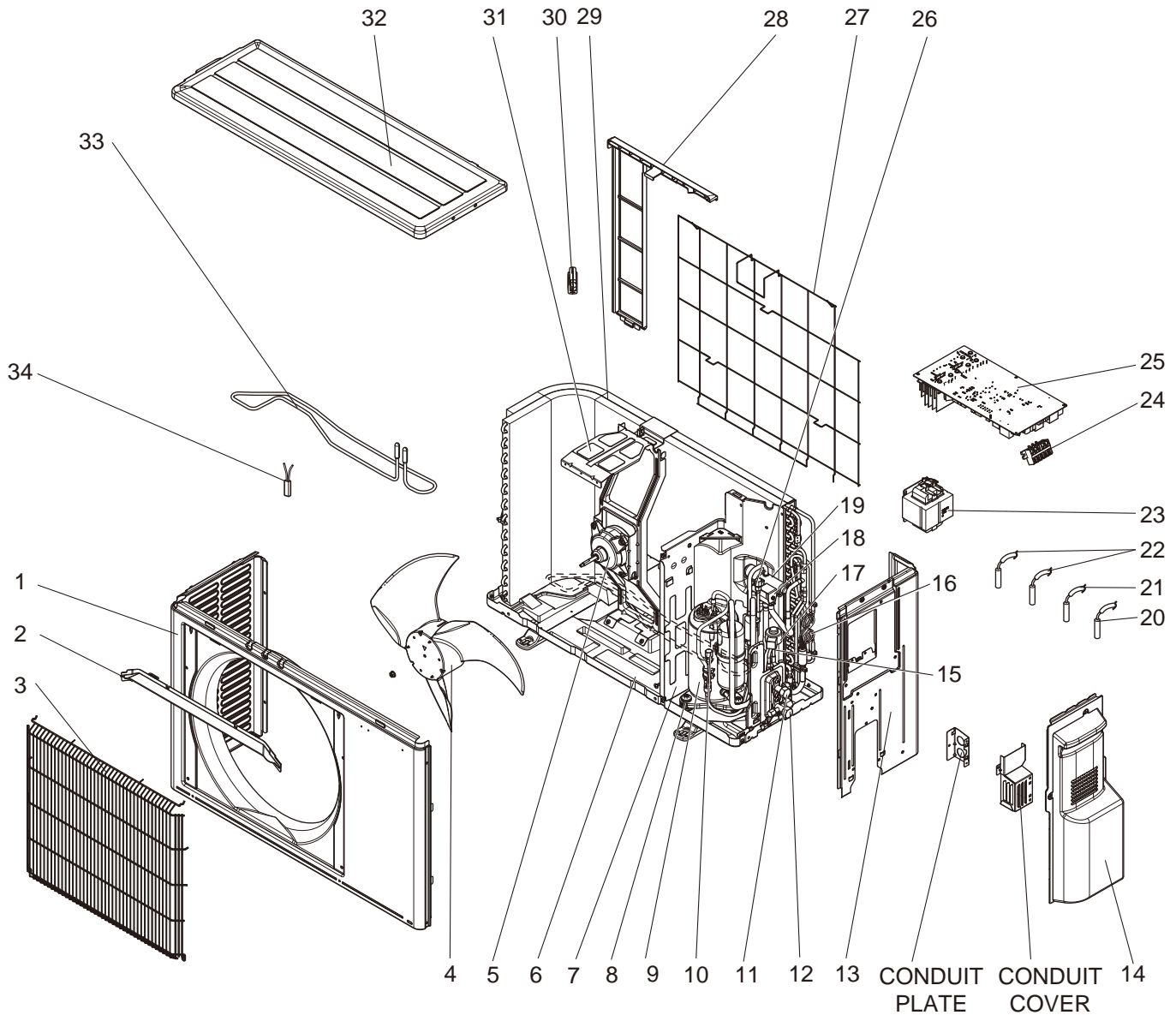
1

SERVICE PARTS LIST

MUZ-FS06NA MUZ-FS06NAH MUZ-FS09NA MUZ-FS09NAH

MUZ-FS12NA MUZ-FS12NAH

1-1. OUTDOOR UNIT STRUCTURAL PARTS, ELECTRICAL PARTS AND FUNCTIONAL PARTS

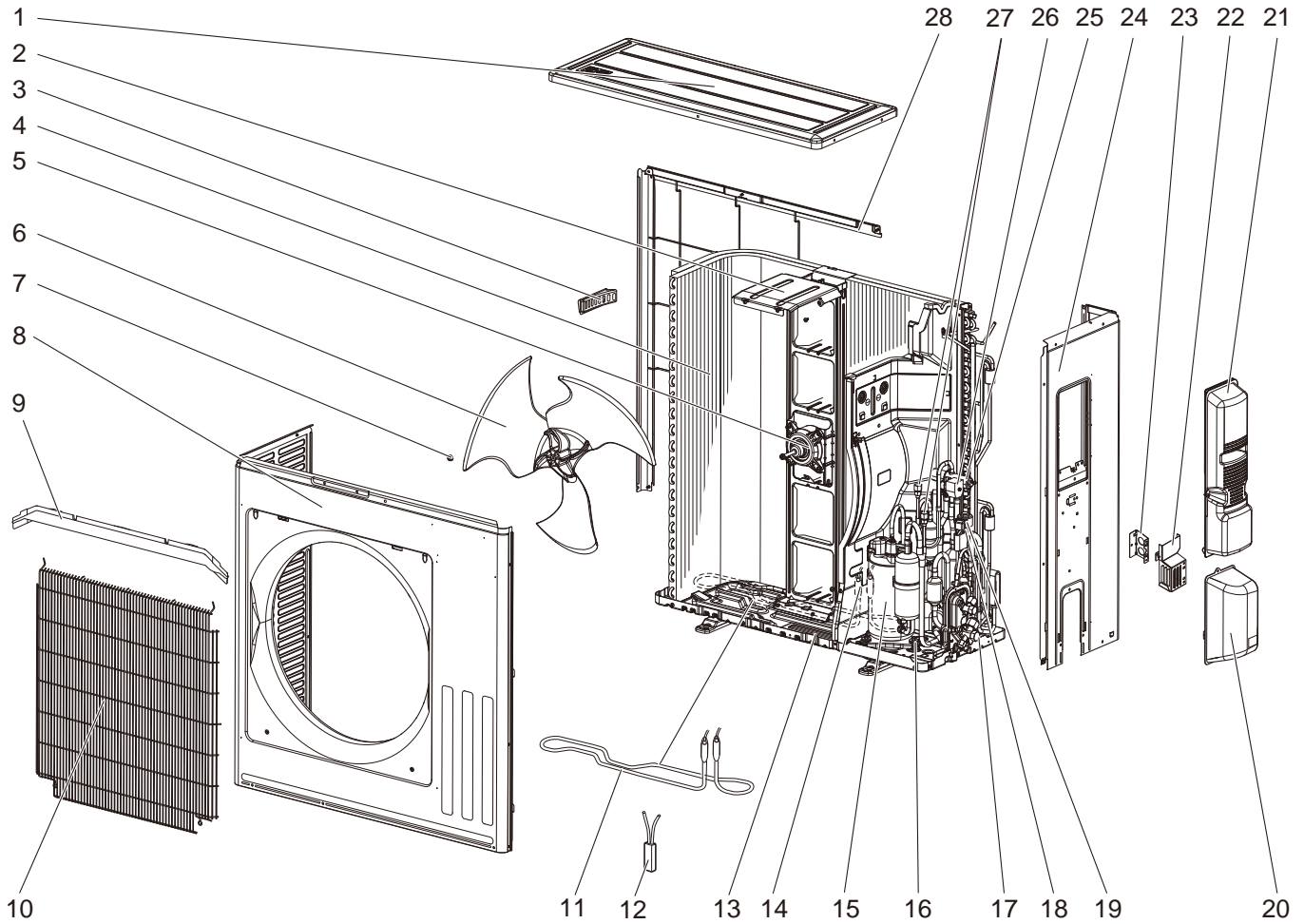


1-1. OUTDOOR UNIT STRUCTURAL PARTS, ELECTRICAL PARTS AND FUNCTIONAL PARTS

1. The part quantity below indicates the required number of pieces per unit.
2. The circled No. indicates that the part is not shown in the figure.

No.	Part No.	Part Name	U1	U1	U1	U1	U1	Symbol in Wiring Diagram	Remarks
			MUZ-FS06NA-	MUZ-FS06NAH-	MUZ-FS09NA-	MUZ-FS09NAH-	MUZ-FS12NA-		
1	U01 A01 232	CABINET	1	1	1	1	1		
2	U01 A01 531	ICE GUARD	1	1	1	1	1		
3	U01 A01 521	GRILLE	1	1	1	1	1		
4	U01 A01 501	PROPELLER FAN	1	1	1	1	1		
5	U01 A03 301	OUTDOOR FAN MOTOR	1	1	1	1	1	MF	RC0J55-□□
6	U01 A02 290	BASE	1		1		1		
6	U01 A01 290	BASE		1		1			
7	U01 A08 293	SEPARATOR	1		1		1		
7	U01 A09 293	SEPARATOR		1		1			
8	U01 A01 506	COMPRESSOR RUBBER SET	3	3	3	3	3		3 RUBBERS/SET
9	U01 A01 900	COMPRESSOR	1	1	1	1		MC	SNB092FQAMT
9	U01 A02 900	COMPRESSOR					1	MC	SNB140FQUMT
10	U01 A01 641	SERVICE PORT (L)	1	1	1	1	1		
11	U01 A01 662	STOP VALVE (LIQUID)	1	1	1	1	1		ø1/4 (ø6.35)
12	U01 A01 661	STOP VALVE (GAS)	1	1	1	1	1		ø3/8 (ø9.52)
13	U01 A01 233	BACK PANEL	1	1	1	1	1		
14	U01 A01 245	SERVICE PANEL	1	1	1	1	1		
15	U01 001 401	EXPANSION VALVE	1	1	1	1	1		
16	U01 A01 936	CAPILLARY TUBE	4	4	4	4	4		O.D. 0.118 × I.D. 0.079 × 8-9/32 (ø3.0 × ø2.0 × 210)
17	U01 A01 493	EXPANSION VALVE COIL	1	1	1	1	1	LEV	
18	U01 A04 961	4-WAY VALVE	1	1	1	1			
18	U01 A06 961	4-WAY VALVE					1		
19	U01 A03 490	R.V. COIL	1	1	1	1	1	21S4	
20	U01 A02 308	AMBIENT TEMPERATURE THERMISTOR	1	1	1	1	1	RT65	
21	U01 A02 307	OUTDOOR HEAT EXCHANGER TEMPERATURE THERMISTOR	1	1	1	1	1	RT68	
22	U01 A01 306	THERMISTOR SET	1	1	1	1	1	RT61, RT62	DEFROST, DISCHARGE
23	U01 A01 337	REACTOR	1	1	1	1	1	L61	
24	U01 A01 374	TERMINAL BLOCK	1	1	1	1	1	TB	5 P
25	U01 A58 451	INVERTER P.C. BOARD	1						Includes heat sink and RT64
25	U01 A55 451	INVERTER P.C. BOARD		1					Includes heat sink and RT64
25	U01 A59 451	INVERTER P.C. BOARD			1				Includes heat sink and RT64
25	U01 A56 451	INVERTER P.C. BOARD				1			Includes heat sink and RT64
25	U01 A60 451	INVERTER P.C. BOARD					1		Includes heat sink and RT64
25	U01 A57 451	INVERTER P.C. BOARD						1	Includes heat sink and RT64
26	U01 A02 641	SERVICE PORT (H)	1	1	1	1	1		
27	U01 A01 525	CONDENSER WIRE NET	1	1	1	1	1		
28	U01 A01 523	CONDENSER NET	1	1	1	1	1		
29	U01 A01 630	OUTDOOR HEAT EXCHANGER	1	1	1	1	1		
30	U01 A01 079	THERMO HOLDER	1	1	1	1	1		
31	U01 A01 515	MOTOR SUPPORT	1	1	1	1	1		
32	U01 A01 297	TOP PANEL	1	1	1	1	1		
33	U01 A03 526	DEFROST HEATER		1		1		H	Includes lead assembly
34	U01 A01 381	HEATER PROTECTOR		1		1		26H	
③5	U01 A02 936	CAPILLARY TUBE	1	1	1	1	1		O.D. 0.157 × I.D. 0.094 × 9-7/16 (ø4.0 × ø2.4 × 240)

MUZ-FS15NA MUZ-FS15NAH MUZ-FS18NA MUZ-FS18NAH
1-2. OUTDOOR UNIT STRUCTURAL PARTS

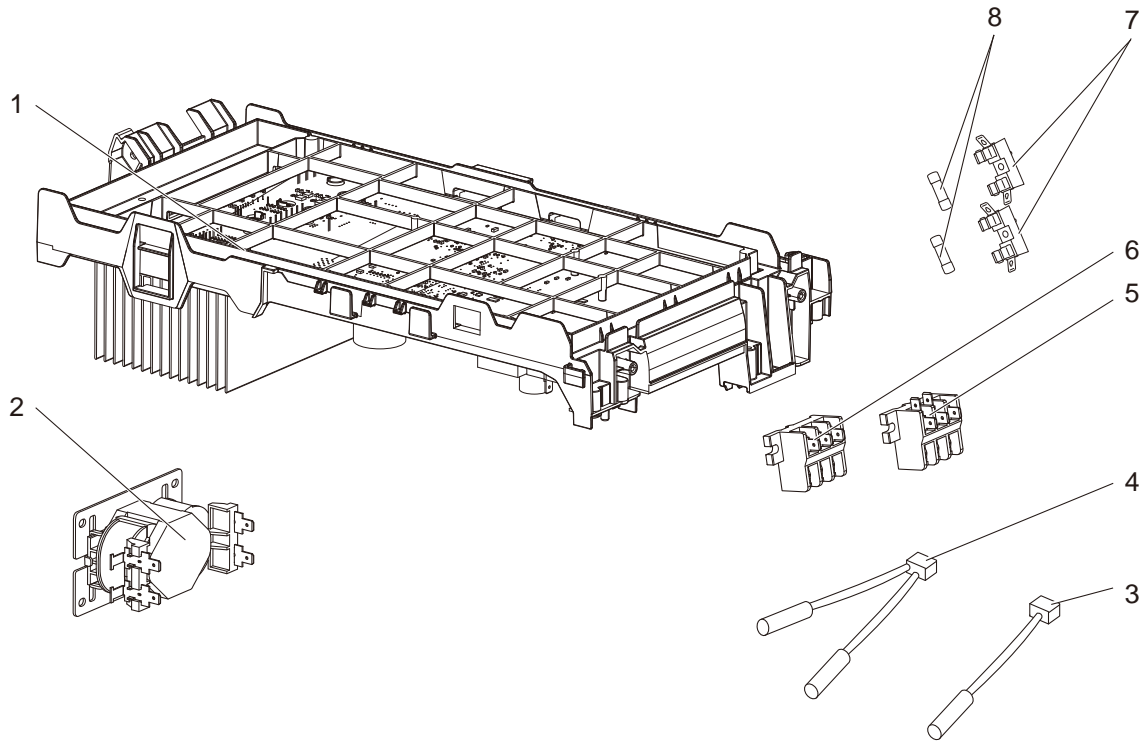


1-2. OUTDOOR UNIT STRUCTURAL PARTS

1. The part quantity below indicates the required number of pieces per unit.

No.	Part No.	Part Name	MUZ-FS15NA- UT	MUZ-FS15NAH- UT	MUZ-FS18NA- UT	MUZ-FS18NAH- UT	Symbol in Wiring Diagram	Remarks
1	E22 L87 297	TOP PANEL	1	1	1	1		
2	E22 33N 515	MOTOR SUPPORT	1	1	1	1		
3	E22 817 009	HANDLE	1	1	1	1		
4	E22 33N 630	OUTDOOR HEAT EXCHANGER	1	1	1	1		Includes capillary tubes O.D. 0.118 × I.D. 0.079 × 9-7/16 (ø3.0 × ø2.0 × 240) (2PCS)
5	E22 91F 301	OUTDOOR FAN MOTOR	1	1	1	1	MF	RC0J50-□□
6	E22 91F 501	PROPELLER FAN	1	1	1	1		
7	E27 L05 508	PROPELLER FAN NUT	1	1	1	1		
8	E22 91F 232	CABINET	1	1	1	1		
9	E22 33N 531	ICE GUARD	1	1	1	1		
10	E22 91F 521	GRILLE	1	1	1	1		
11	E22 39F 526	DEFROST HEATER		1		1	H	Includes 26H
12	E22 J52 381	HEATER PROTECTOR		1		1	26H	
13	E22 91F 290	BASE	1		1			
13	E22 57N 290	BASE		1		1		
14	E22 33N 293	SEPARATOR	1		1			
14	E22 57N 293	SEPARATOR		1		1		
15	E22 F76 900	COMPRESSOR	1	1	1	1	MC	SNB172FQKMT
16	E22 C34 506	COMPRESSOR RUBBER SET	3	3	3	3		3 RUBBERS/SET
17	E22 33N 663	STOP VALVE ASSEMBLY	1	1	1	1		Includes STOP VALVES (LIQ ø1/4 (ø6.35), GAS ø1/2 (ø12.7))
18	E22 33N 645	EXPANSION VALVE ASSEMBLY	1	1	1	1		Includes LEV body, capillary tube O.D. 0.157 × I.D. 0.094 × 3-15/16 (ø4.0 × ø2.4 × 100), muffler
19	E22 55J 493	EXPANSION VALVE COIL	1	1	1	1	LEV	
20	E22 F28 650	VALVE COVER	1	1	1	1		
21	E22 91F 245	SERVICE PANEL	1	1	1	1		
22	E22 43F 979	CONDUIT COVER	1	1	1	1		
23	E22 29F 978	CONDUIT PLATE	1	1	1	1		
24	E22 33N 233	BACK PANEL	1	1	1	1		
25	E22 J61 961	4-WAY VALVE	1	1	1	1		
26	E22 33N 490	R.V. COIL	1	1	1	1	21S4	
27	E22 E79 641	SERVICE PORT	2	2	2	2		
28	E22 L87 523	CONDENSER NET	1	1	1	1		

MUZ-FS15NA MUZ-FS15NAH MUZ-FS18NA MUZ-FS18NAH
1-3. OUTDOOR UNIT ELECTRICAL PARTS



1-3. OUTDOOR UNIT ELECTRICAL PARTS

1. The part quantity below indicates the required number of pieces per unit.

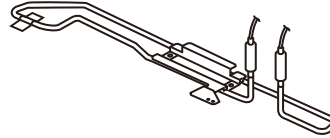
No.	Part No.	Part Name	MUZ-FS15NA- <input type="checkbox"/> U1	MUZ-FS15NAH- <input type="checkbox"/> U1	MUZ-FS18NA- <input type="checkbox"/> U1	MUZ-FS18NAH- <input type="checkbox"/> U1	Symbol in Wiring Diagram	Remarks
1	E22 33N 451	INVERTER P.C. BOARD	1	1				Includes heat sink and RT64
1	E22 34N 451	INVERTER P.C. BOARD			1	1		Includes heat sink and RT64
2	E22 R84 337	REACTOR	1	1	1	1	L	
3	E22 38F 309	AMBIENT THERMISTOR ASSEMBLY	1	1	1	1	RT65	
4	E22 F28 308	THERMISTOR SET	1	1	1	1	RT61, RT62, RT68	DEFROST THERMISTOR (RT61) DISCHARGE TEMPERATURE (RT62) OUTDOOR HEAT EXCHANGER TEMPERATURE (RT68)
5	E22 L87 374	TERMINAL BLOCK	1	1	1	1	TB1	3 P
6	E22 T16 374	TERMINAL BLOCK	1	1	1	1	TB2	3 P
7	E27 001 241	FUSE HOLDER	2	2	2	2		
8	E27 250 382	FUSE	2	2	2	2	F65, F66	T6.3AL 250 V AC

2

OPTIONAL PARTS

2-1. DEFROST HEATER

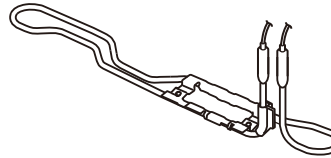
Model	Parts No.
MUZ-FS06NA MUZ-FS09NA MUZ-FS12NA	MAC-640BH-U



Components

①	Defrost heater	1	④	Cable tie	1
②	Aluminum tape	1	⑤	Self drilling screw	2
③	Heater support	1	⑥	Insulation	1

Model	Parts No.
MUZ-FS15NA MUZ-FS18NA	MAC-642BH-U



Components

①	Defrost heater	1	④	Cable clamp	1
②	Heater support	1	⑤	Self drilling screw	2
③	Cable tie	1	⑥	Wiring diagram	1

Note: Refer to the installation manual for the installation.

MITSUBISHI ELECTRIC CORPORATION

HEAD OFFICE: TOKYO BUILDING, 2-7-3, MARUNOUCHI, CHIYODA-KU, TOKYO 100-8310, JAPAN

© Copyright 2020 MITSUBISHI ELECTRIC CORPORATION

Issued: Jul. 2021. No. OBB873 REVISED EDITION-A

Published: Nov. 2020. No. OBB873

Made in Japan

Specifications are subject to change without notice.