

Revision A:

- MSZ-GS06/09/12/15/18/24NA - [U1],
MSY-GS09/12/15/18/24NA - [U1],
MSZ-GS30/36NA2 - [U1] and
MSY-GS30/36NA2 - [U1] have been added.

OBB874 is void.

INDOOR UNIT

No. OBB874
REVISED EDITION-A

PARTS CATALOG

Models

MSZ-GS06NA - [U1]

MSZ-GS09NA - [U1]

MSZ-GS12NA - [U1]

MSZ-GS15NA - [U1]

MSZ-GS18NA - [U1]

MSZ-GS24NA - [U1]

MSZ-GS30NA - [U1]

MSZ-GS36NA - [U1]

MSZ-GS30NA2 - [U1]

MSZ-GS36NA2 - [U1]

MSY-GS09NA - [U1]

MSY-GS12NA - [U1]

MSY-GS15NA - [U1]

MSY-GS18NA - [U1]

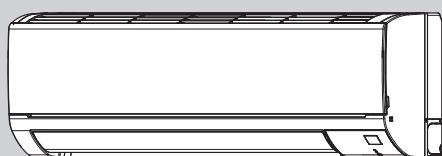
MSY-GS24NA - [U1]

MSY-GS30NA - [U1]

MSY-GS36NA - [U1]

MSY-GS30NA2 - [U1]

MSY-GS36NA2 - [U1]



MSZ-GS18NA
MSY-GS18NA



CONTENTS

1. SERVICE PARTS LIST2
2. OPTIONAL PARTS 33

SERVICE MANUAL (OBH874)

Revision A:

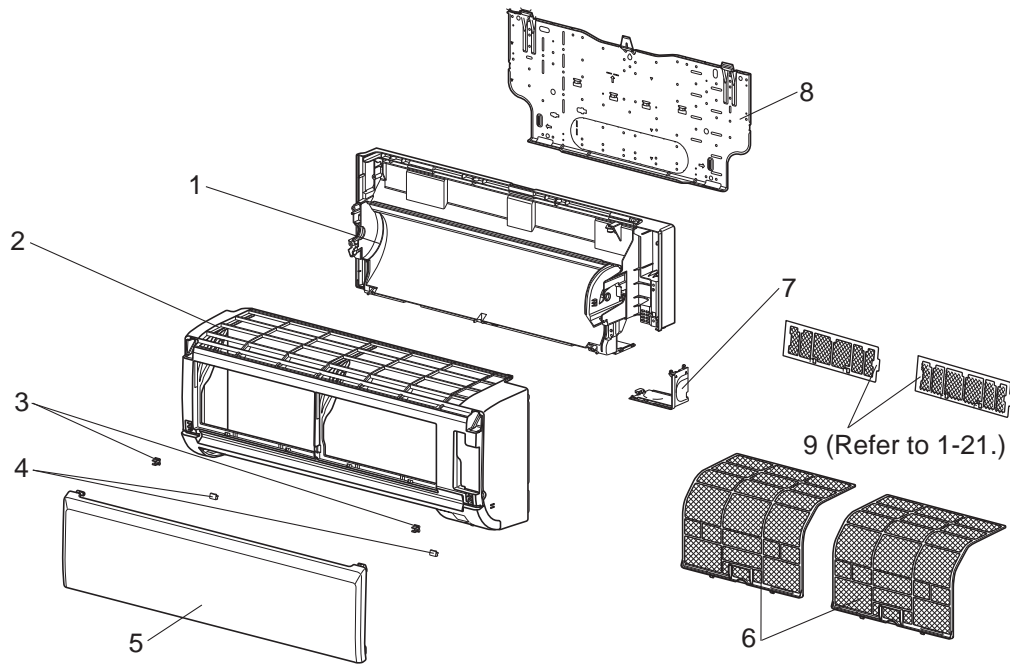
• MSZ-GS06/09/12/15/18/24NA - [U1], MSY-GS09/12/15/18/24NA - [U1], MSZ-GS30/36NA2 - [U1] and MSY-GS30/36NA2 - [U1] have been added.

1 SERVICE PARTS LIST

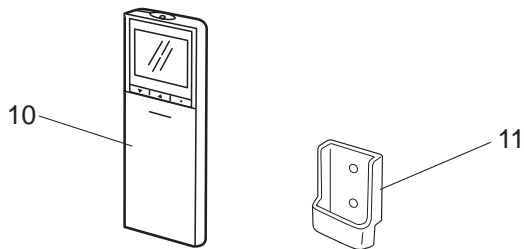
MSZ-GS06NA MSZ-GS09NA MSZ-GS12NA MSZ-GS15NA

MSY-GS09NA MSY-GS12NA MSY-GS15NA

1-1. INDOOR UNIT STRUCTURAL PARTS



1-2. ACCESSORY AND REMOTE CONTROLLER



1-1. INDOOR UNIT STRUCTURAL PARTS

1. The part quantity below indicates the required number of pieces per unit.

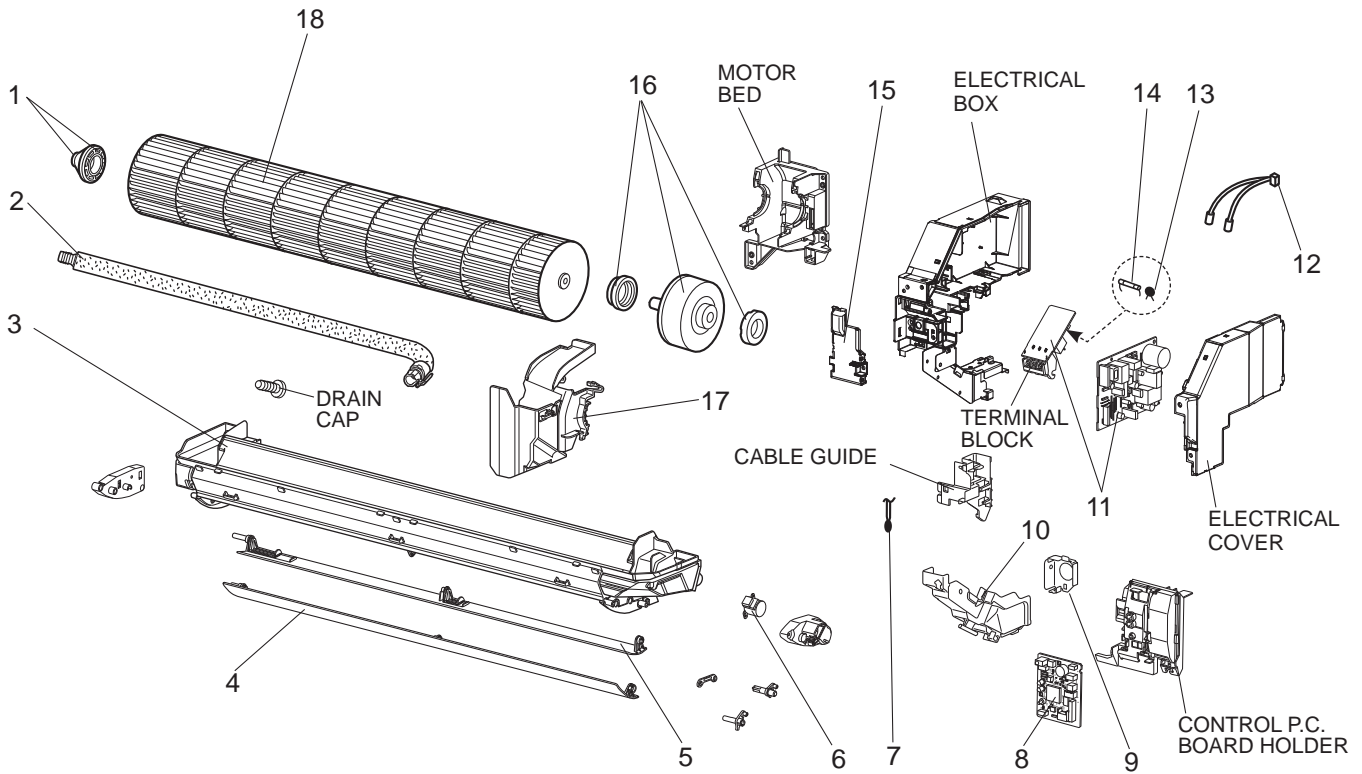
No.	Part No.	Part name	MSZ-GS06NA - [U1]			MSZ-GS09NA - [U1]			MSZ-GS12NA - [U1]			Symbol in Wiring Diagram	Remarks
			MSZ-GS06NA - [U1]	MSZ-GS09NA - [U1]	MSZ-GS12NA - [U1]	MSZ-GS09NA - [U1]	MSZ-GS12NA - [U1]	MSZ-GS12NA - [U1]	MSY-GS09NA - [U1]	MSY-GS12NA - [U1]	MSY-GS15NA - [U1]		
1	U01 A03 234	BOX ASSEMBLY	1	1	1		1	1					
1	U01 A04 234	BOX ASSEMBLY				1			1				
2	U01 A04 000	PANEL ASSEMBLY	1	1	1	1	1	1	1			Includes No. 3, 4, and 5	
3	U01 A01 142	CATCH	2	2	2	2	2	2	2			2 PCS/SET	
4	U01 A01 067	SCREW CAP	2	2	2	2	2	2	2			2 PCS/SET	
5	U01 A02 010	FRONT PANEL	1	1	1	1	1	1	1				
6	U01 A01 100	AIR FILTER (NANO PLATINUM FILTER)	2	2	2	2	2	2	2			1 PC/SET	
7	U01 A01 975	CORNER BOX (RIGHT)	1	1	1	1	1	1	1				
8	U01 A01 970	INSTALLATION PLATE	1	1	1	1	1	1	1				
9	—	AIR CLEANING FILTER (ANTI-ALLERGY ENZYME FILTER)	2	2	2	2	2	2	2			MAC-408FT-E 2 PCS/SET	

1-2. ACCESSORY AND REMOTE CONTROLLER

1. The part quantity below indicates the required number of pieces per unit.

No.	Part No.	Part name	MSZ-GS06NA - [U1]			MSZ-GS09NA - [U1]			MSZ-GS12NA - [U1]			Symbol in Wiring Diagram	Remarks
			MSZ-GS06NA - [U1]	MSZ-GS09NA - [U1]	MSZ-GS12NA - [U1]	MSZ-GS09NA - [U1]	MSZ-GS12NA - [U1]	MSZ-GS12NA - [U1]	MSY-GS09NA - [U1]	MSY-GS12NA - [U1]	MSY-GS15NA - [U1]		
10	U01 A16 426	REMOTE CONTROLLER	1	1	1	1						SH22A	
10	U01 A17 426	REMOTE CONTROLLER					1	1	1			SH22B	
11	U01 A20 426	REMOTE CONTROLLER HOLDER	1	1	1	1	1	1	1				

**MSZ-GS06NA MSZ-GS09NA MSZ-GS12NA MSZ-GS15NA
 MSY-GS09NA MSY-GS12NA MSY-GS15NA
 1-3. INDOOR UNIT ELECTRICAL PARTS AND FUNCTIONAL PARTS**

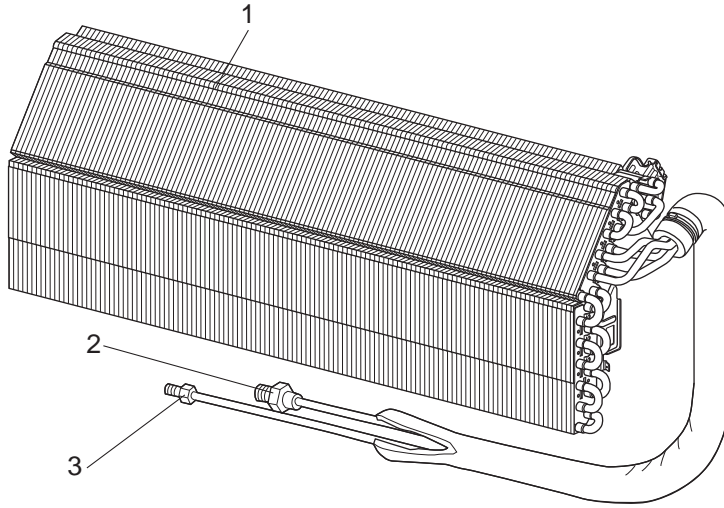


1-3. INDOOR UNIT ELECTRICAL PARTS AND FUNCTIONAL PARTS

1. The part quantity below indicates the required number of pieces per unit.

No.	Part No.	Part name	MSZ-GS06NA - [U1]	MSZ-GS09NA - [U1]	MSZ-GS12NA - [U1]	MSZ-GS15NA - [U1]	MSY-GS09NA - [U1]	MSY-GS12NA - [U1]	MSY-GS15NA - [U1]	Symbol in Wiring Diagram	Remarks
1	U01 A02 510	BEARING MOUNT ASSEMBLY	1	1	1	1	1	1	1		
2	U01 A01 702	DRAIN HOSE	1	1	1	1	1	1	1		
3	U01 A01 235	NOZZLE ASSEMBLY	1	1	1	1	1	1	1		
4	U01 A01 040	VANE-UPPER	1	1	1	1	1	1	1		
5	U01 A01 041	VANE-LOWER	1	1	1	1	1	1	1		
6	U01 A01 303	VANE MOTOR	1	1	1	1	1	1	1	MV	
7	U01 A08 308	ROOM TEMPERATURE THERMISTOR	1	1	1	1	1	1	1	RT11	
8	U01 A38 452	ELECTRONIC CONTROL P.C. BOARD	1								
8	U01 A39 452	ELECTRONIC CONTROL P.C. BOARD		1							
8	U01 A40 452	ELECTRONIC CONTROL P.C. BOARD			1						
8	U01 A41 452	ELECTRONIC CONTROL P.C. BOARD				1					
8	U01 A42 452	ELECTRONIC CONTROL P.C. BOARD					1				
8	U01 A43 452	ELECTRONIC CONTROL P.C. BOARD						1			
8	U01 A44 452	ELECTRONIC CONTROL P.C. BOARD							1		
9	U01 A01 978	CONDUIT PLATE	1	1	1	1	1	1	1		
10	U01 A01 979	CONDUIT COVER	1	1	1	1	1	1	1		
11	U01 A03 440	POWER P.C. BOARD	1	1	1	1	1	1	1		
12	U01 A09 308	INDOOR COIL THERMISTOR	1	1	1	1	1	1	1	RT12, RT13	
13	U01 A01 385	VARISTOR	1	1	1	1	1	1	1	NR11	
14	U01 001 239	FUSE	1	1	1	1	1	1	1	F11	T3.15AL250V
15	U01 A01 784	V.A. CLAMP	1	1	1	1	1	1	1		
16	U01 A21 426	INDOOR FAN MOTOR	1	1	1	1	1	1	1	MF	RC0J30-□□, Includes FAN MOTOR RUBBER MOUNT (2 PCS/SET)
17	U01 A01 333	MOTOR BAND	1	1	1	1	1	1	1		
18	U01 A03 302	LINE FLOW FAN	1	1	1	1	1	1	1		

MSZ-GS06NA MSZ-GS09NA MSZ-GS12NA MSZ-GS15NA
MSY-GS09NA MSY-GS12NA MSY-GS15NA
1-4. INDOOR UNIT HEAT EXCHANGER

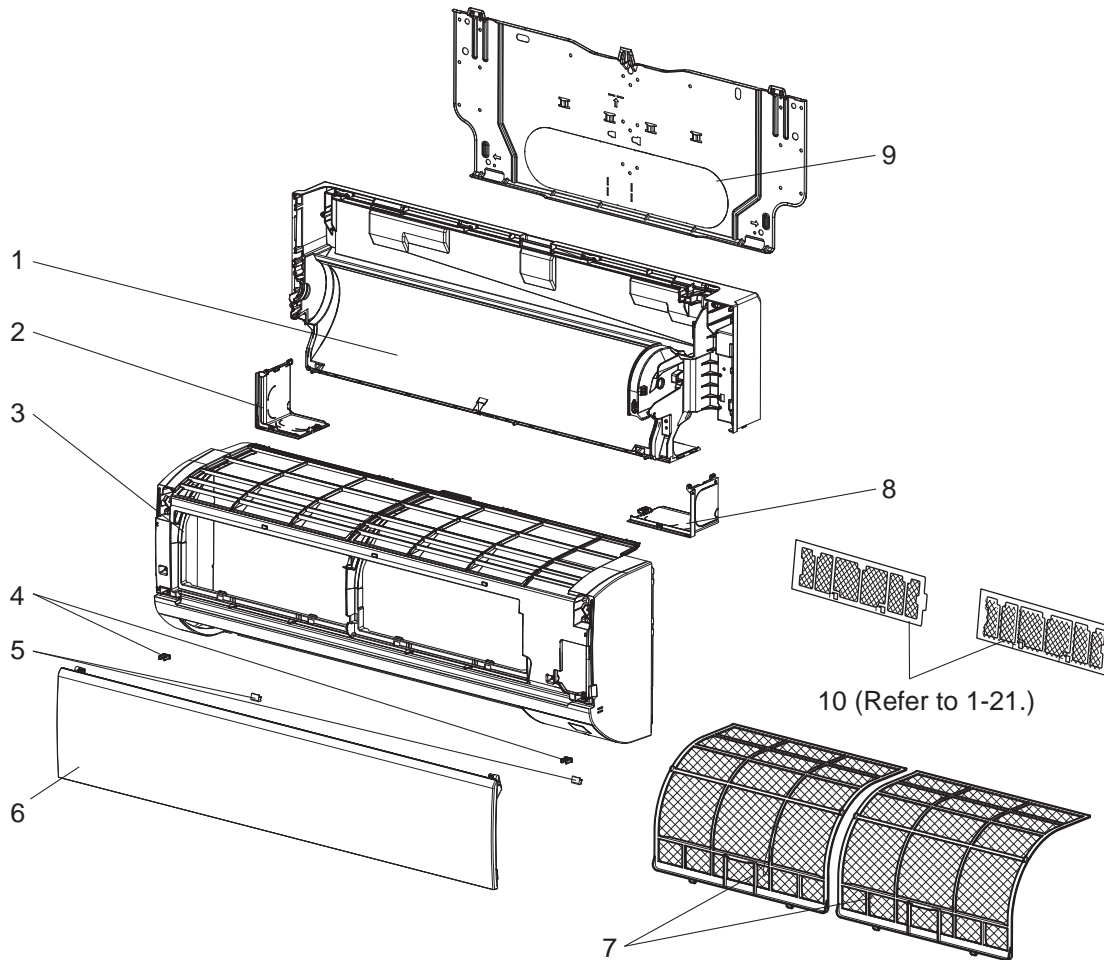


1-4. INDOOR UNIT HEAT EXCHANGER

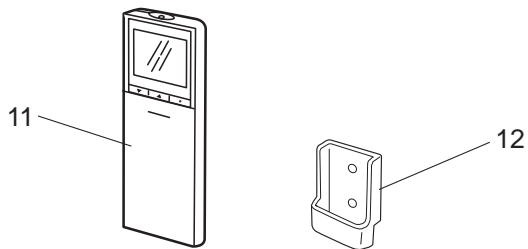
1. The part quantity below indicates the required number of pieces per unit.

No.	Part No.	Part name								Symbol in Wiring Diagram	Remarks
			MSZ-GS06NA - [U1]	MSZ-GS09NA - [U1]	MSZ-GS12NA - [U1]	MSZ-GS15NA - [U1]	MSY-GS09NA - [U1]	MSY-GS12NA - [U1]	MSY-GS15NA - [U1]		
1	U01 A07 620	INDOOR HEAT EXCHANGER	1	1	1		1	1			
1	U01 A08 620	INDOOR HEAT EXCHANGER				1		1			
2	U01 A01 666	UNION GAS	1	1	1		1	1		ø3/8 (ø9.52)	
2	U01 A02 666	UNION GAS				1		1		ø1/2 (ø12.7)	
3	U01 A01 667	UNION LIQUID	1	1	1	1	1	1	1	ø1/4 (ø6.35)	

MSZ-GS18NA MSY-GS18NA
1-5. INDOOR UNIT STRUCTURAL PARTS



1-6. ACCESSORY AND REMOTE CONTROLLER



1-5. INDOOR UNIT STRUCTURAL PARTS

1. The part quantity below indicates the required number of pieces per unit.

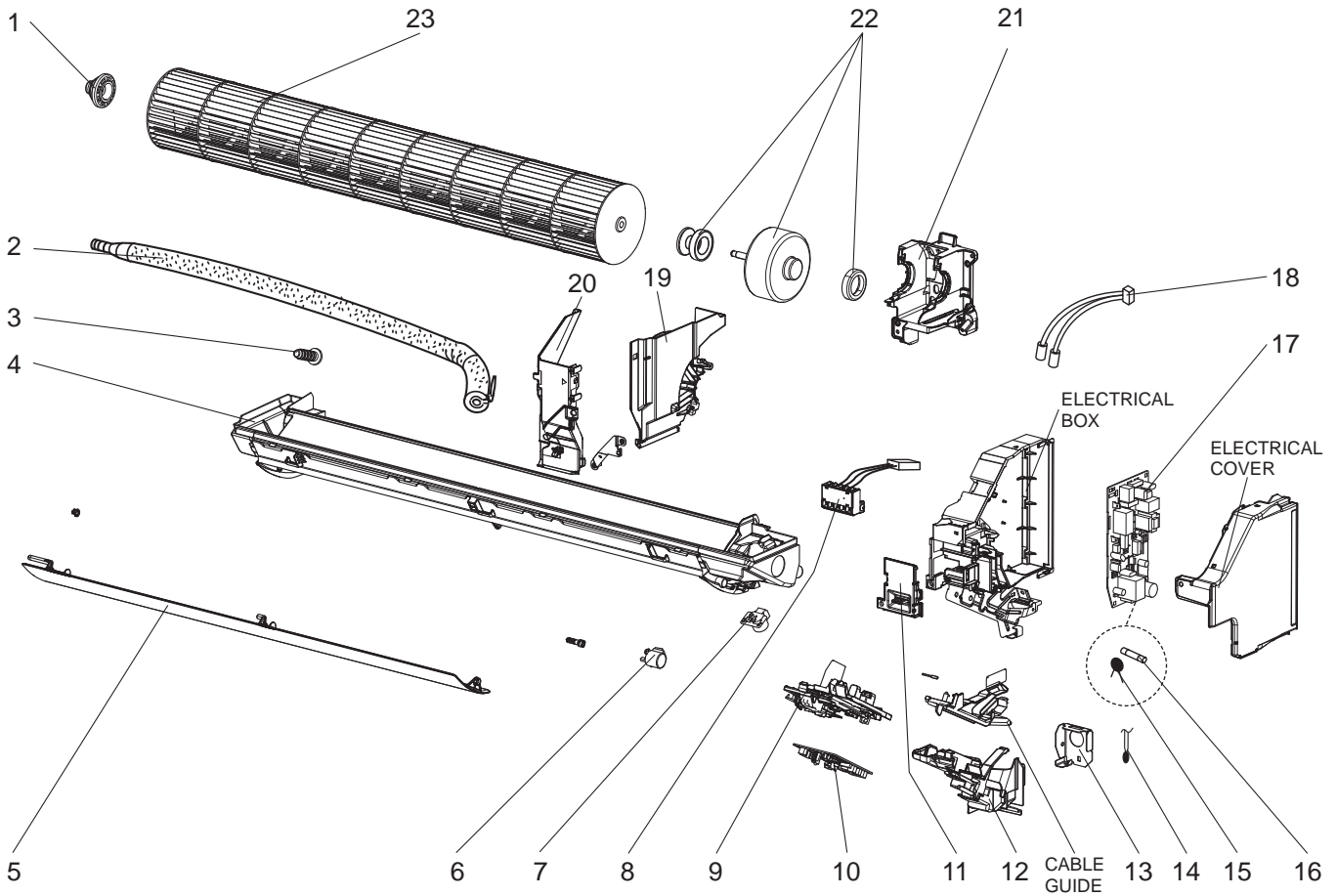
No.	Part No.	Part name			Symbol in Wiring Diagram	Remarks
			MSZ-GS18NA - [U1]	MSY-GS18NA - [U1]		
1	E22 17A 234	BOX ASSEMBLY	1	1		
2	E22 N87 976	CORNER BOX LEFT	1	1		
3	E22 N94 000	PANEL ASSEMBLY	1	1		Includes No. 4, 5, and 6
4	E22 F95 142	CATCH	2	2		2 PCS/SET
5	E22 913 067	SCREW CAP	2	2		2 PCS/SET
6	E22 N87 010	FRONT PANEL	1	1		
7	E22 N94 100	AIR FILTER (NANO PLATINUM FILTER)	2	2		1 PC/SET
8	E22 N87 975	CORNER BOX RIGHT	1	1		
9	E22 N87 970	INSTALLATION PLATE	1	1		
10	—	AIR CLEANING FILTER (ANTI-ALLERGY ENZYME FILTER)	2	2		MAC-408FT-E 2 PCS/SET

1-6. ACCESSORY AND REMOTE CONTROLLER

1. The part quantity below indicates the required number of pieces per unit.

No.	Part No.	Part name			Symbol in Wiring Diagram	Remarks
			MSZ-GS18NA - [U1]	MSY-GS18NA - [U1]		
11	E22 13T 426	REMOTE CONTROLLER	1			SH22C
11	E22 14T 426	REMOTE CONTROLLER		1		SH22D
12	E22 41G 083	REMOTE CONTROLLER HOLDER	1	1		

MSZ-GS18NA MSY-GS18NA
1-7. INDOOR UNIT ELECTRICAL PARTS AND FUNCTIONAL PARTS



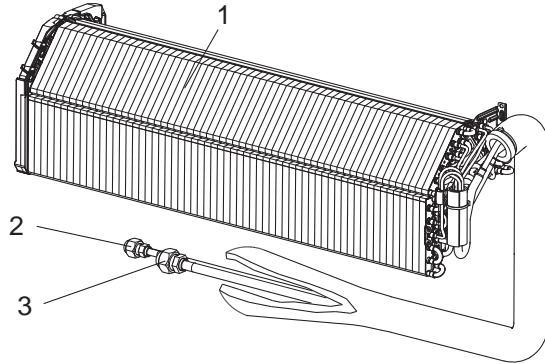
1-7. INDOOR UNIT ELECTRICAL PARTS AND FUNCTIONAL PARTS

1. The part quantity below indicates the required number of pieces per unit.

2. The circled No. indicates that the part is not shown in the figure.

No.	Part No.	Part name	MSZ-GS18NA - □□	MSY-GS18NA - □□	Symbol in Wiring Diagram	Remarks [Drawing No.]
1	E22 A89 509	BEARING MOUNT ASSEMBLY	1	1		Includes SLEEVE BEARING
2	E22 P72 702	DRAIN HOSE	1	1		
3	—	DRAIN CAP	1	1		[SU26R611H01]
4	E22 13T 235	NOZZLE ASSEMBLY	1	1		Full assembly except DRAIN HOSE
5	E22 N87 040	HORIZONTAL VANE	1	1		
6	E22 N87 303	VANE MOTOR (HORIZONTAL)	1	1	MV1	UP & DOWN
7	E22 J44 303	VANE MOTOR (VERTICAL)	1	1	MV2	RIGHT & LEFT
8	E22 13T 375	TERMINAL BLOCK	1	1	TB	
9	E22 N87 095	CONTROL P.C. BOARD HOLDER ASSEMBLY	1	1		
10	E22 13T 452	ELECTRONIC CONTROL P.C. BOARD	1			
10	E22 14T 452	ELECTRONIC CONTROL P.C. BOARD		1		
11	E22 N87 784	V.A. CLAMP	1	1		
12	E22 N94 979	CONDUIT COVER	1	1		
13	E22 N94 978	CONDUIT PLATE	1	1		
14	E22 13T 308	ROOM TEMPERATURE THERMISTOR	1	1	RT11	
15	E22 K90 385	VARISTOR	1	1	NR11	
16	E22 C67 382	FUSE	1	1	F11	T3.15AL250V
17	E22 13T 440	POWER P.C. BOARD	1	1		
18	E22 N87 307	INDOOR COIL THERMISTOR	1	1	RT12, RT13	
19	E22 N87 333	MOTOR BAND	1	1		
20	E22 N87 541	WATER COVER	1	1		
21	E22 18A 333	MOTOR BED	1	1		
22	E22 29L 300	INDOOR FAN MOTOR	1	1	MF	RC0J30-□□, Includes FAN MOTOR RUBBER MOUNT (2 PCS/SET)
23	E22 17A 302	LINE FLOW FAN	1	1		
24	E22 61F 303	VERTICAL VANE MOTOR UNIT	1	1		Includes MV2

MSZ-GS18NA MSY-GS18NA
1-8. INDOOR UNIT HEAT EXCHANGER



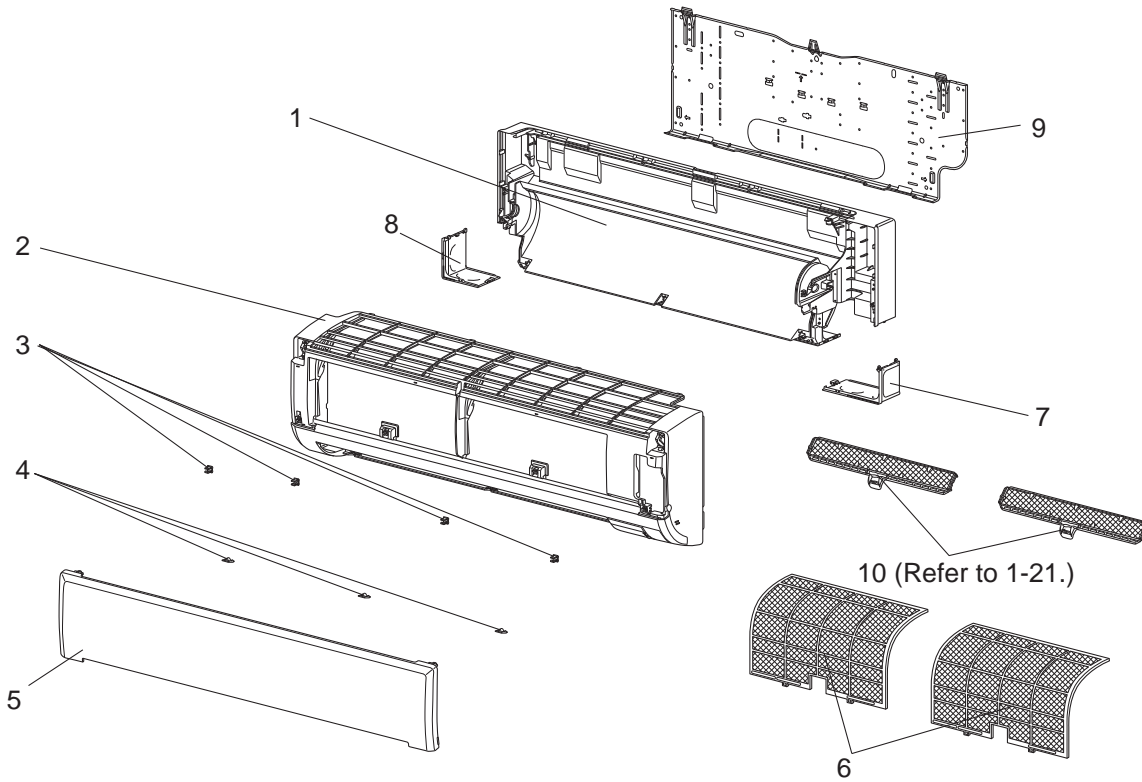


1-8. INDOOR UNIT HEAT EXCHANGER

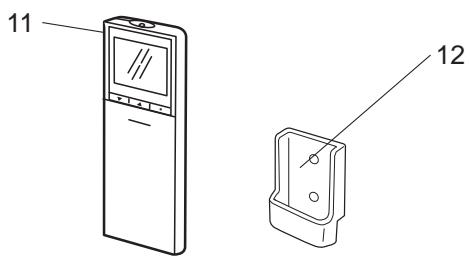
1. The part quantity below indicates the required number of pieces per unit.

No.	Part No.	Part name	MSZ-GS18NA - <input type="checkbox"/> U1	MSY-GS18NA - <input type="checkbox"/> U1	Symbol in Wiring Diagram	Remarks
1	E22 13T 620	INDOOR HEAT EXCHANGER	1	1		
2	E22 151 667	UNION (LIQUID)	1	1		ø1/4 (ø6.35)
3	E22 179 667	UNION (GAS)	1	1		ø1/2 (ø12.7)

MSZ-GS24NA MSY-GS24NA
1-9. INDOOR UNIT STRUCTURAL PARTS



1-10. ACCESSORY AND REMOTE CONTROLLER



1-9. INDOOR UNIT STRUCTURAL PARTS

1. The part quantity below indicates the required number of pieces per unit.

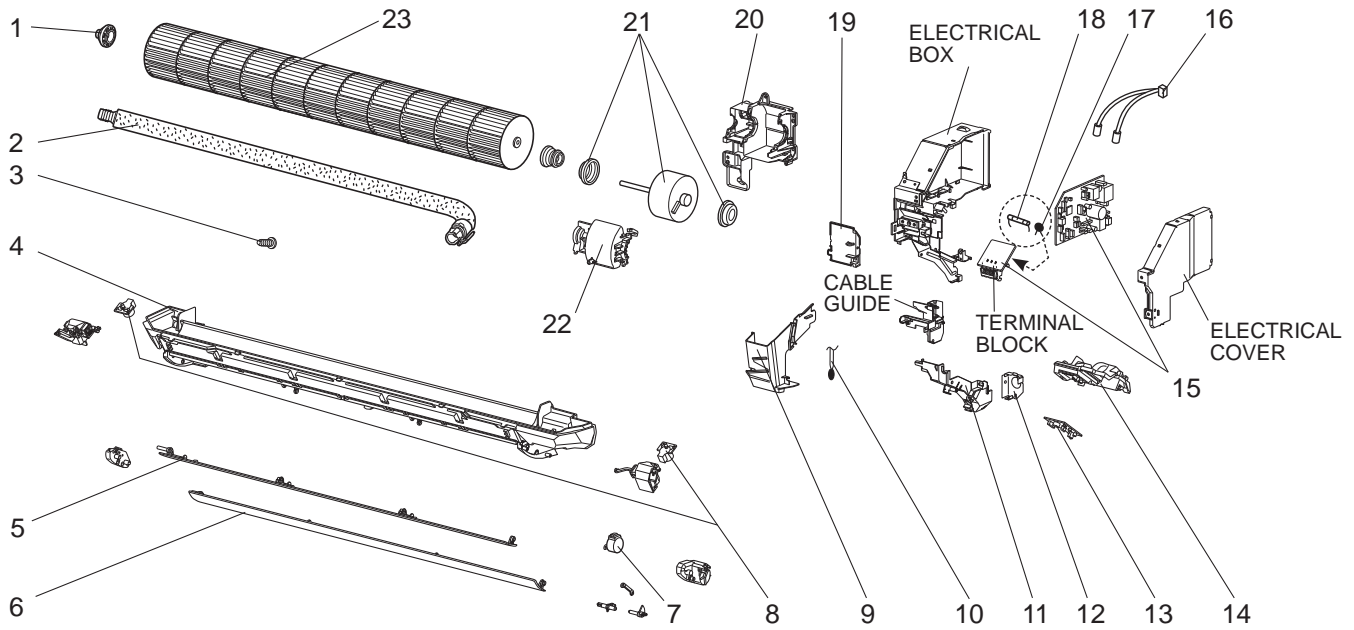
No.	Part No.	Part name	MSZ-GS24NA - [U1]	MSY-GS24NA - [U1]	Symbol in Wiring Diagram	Remarks
1	E22 12A 234	BOX ASSEMBLY	1	1		
2	E22 T16 000	PANEL ASSEMBLY	1	1		Includes No. 3, 4, and 5
3	E22 408 142	CATCH	4	4		4 PCS/SET
4	E22 F28 067	SCREW CAP	3	3		3 PCS/SET
5	E22 R19 010	FRONT PANEL	1	1		
6	E22 F28 100	AIR FILTER (NANO PLATINUM FILTER)	2	2		1 PC/SET
7	E22 F28 975	CORNER BOX (RIGHT)	1	1		
8	E22 F28 976	CORNER BOX (LEFT)	1	1		
9	E22 F28 970	INSTALLATION PLATE	1	1		
10	—	AIR CLEANING FILTER (ELECTROSTATIC ANTI-ALLERGY ENZYME FILTER)	2	2		MAC-2310FT-E 2 PCS/SET

1-10. ACCESSORY AND REMOTE CONTROLLER

1. The part quantity below indicates the required number of pieces per unit.

No.	Part No.	Part name	MSZ-GS24NA - [U1]	MSY-GS24NA - [U1]	Symbol in Wiring Diagram	Remarks
11	E22 19T 426	REMOTE CONTROLLER	1			SH22E
11	E22 20T 426	REMOTE CONTROLLER		1		SH22F
12	E22 41G 083	REMOTE CONTROLLER HOLDER	1	1		

MSZ-GS24NA MSY-GS24NA
1-11. INDOOR UNIT ELECTRICAL PARTS AND FUNCTIONAL PARTS



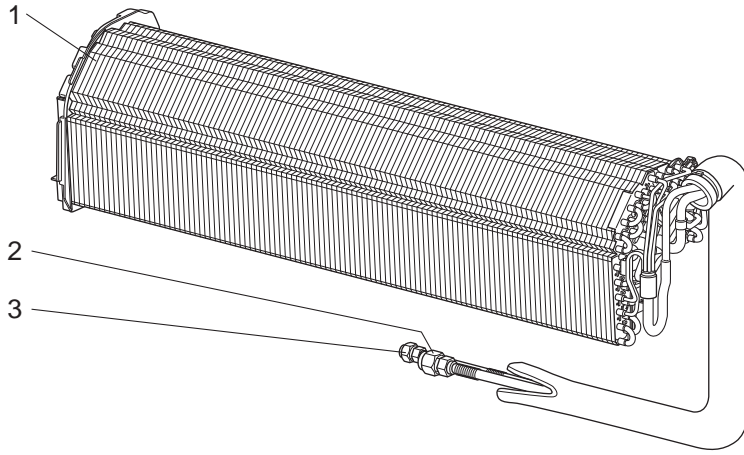
1-11. INDOOR UNIT ELECTRICAL PARTS AND FUNCTIONAL PARTS

1. The part quantity below indicates the required number of pieces per unit.

2. The circled No. indicates that the part is not shown in the figure.

No.	Part No.	Part name	MSZ-GS24NA - □□	MSY-GS24NA - □□	Symbol in Wiring Diagram	Remarks [Drawing No.]
1	E22 A89 509	BEARING MOUNT ASSEMBLY	1	1		Includes SLEEVE BEARING
2	E22 T20 702	DRAIN HOSE	1	1		
3	—	DRAIN CAP	1	1		[SU26R611H01]
4	E22 19T 235	NOZZLE ASSEMBLY	1	1		Full assembly except DRAIN HOSE
5	E22 F76 040	VANE (UPPER)	1	1		
6	E22 F76 041	VANE (LOWER)	1	1		
7	E22 C33 303	VANE MOTOR (HORIZONTAL)	1	1	MV1	UP & DOWN
8	E22 C32 303	VANE MOTOR (VERTICAL)	2	2	MV2	RIGHT & LEFT
9	E22 F28 541	WATER CUT	1	1		
10	E22 45N 308	ROOM TEMPERATURE THERMISTOR	1	1	RT11	
11	E22 F76 979	CONDUIT COVER	1	1		
12	E22 F76 978	CONDUIT PLATE	1	1		
13	E22 77P 468	POWER MONITOR RECEIVER SWITCH P.C. BOARD	1	1		
14	E22 F28 095	POWER MONITOR RECEIVER HOLDER	1	1		
15	E22 19T 452	ELECTRONIC CONTROL P.C. BOARD	1			Includes TERMINAL P.C. BOARD with TERMINAL BLOCK
15	E22 20T 452	ELECTRONIC CONTROL P.C. BOARD		1		Includes TERMINAL P.C. BOARD with TERMINAL BLOCK
16	E22 F28 307	INDOOR COIL THERMISTOR	1	1	RT12, RT13	
17	E22 K90 385	VARISTOR	1	1	NR11	
18	E22 C67 382	FUSE	1	1	F11	T3.15AL250V
19	E22 F76 784	V.A. CLAMP	1	1		
20	E22 90F 333	MOTOR BED	1	1		
21	E22 F28 300	INDOOR FAN MOTOR	1	1	MF	RC0J56-□□ Includes FAN MOTOR RUBBER MOUNT (2 PCS/SET)
22	E22 89F 333	MOTOR BAND	1	1		
23	E22 19A 302	LINE FLOW FAN	1	1		
②④	E22 82F 303	VERTICAL VANE MOTOR UNIT (L)	1	1		Includes MV2
②⑤	E22 84F 303	VERTICAL VANE MOTOR UNIT (R)	1	1		Includes MV2

MSZ-GS24NA MSY-GS24NA
1-12. INDOOR UNIT HEAT EXCHANGER

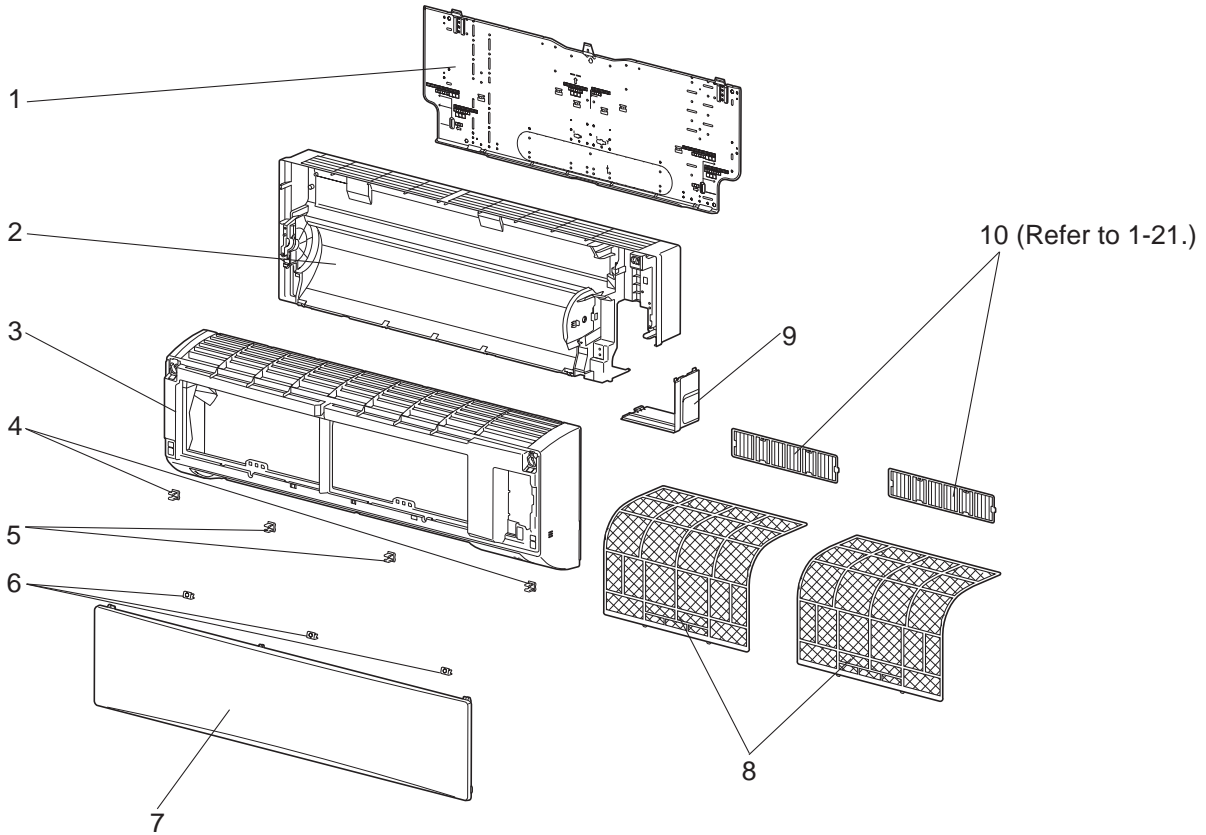


1-12. INDOOR UNIT HEAT EXCHANGER

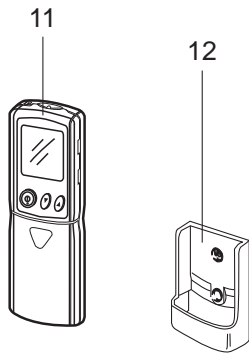
1. The part quantity below indicates the required number of pieces per unit.

No.	Part No.	Part name	MSZ-GS24NA - <input type="checkbox"/> U1	MSY-GS24NA - <input type="checkbox"/> U1	Symbol in Wiring Diagram	Remarks
1	E22 19T 620	INDOOR HEAT EXCHANGER	1	1		
2	E22 527 666	UNION (GAS)	1	1		ø5/8 (ø15.88)
3	E22 151 667	UNION (LIQUID)	1	1		ø1/4 (ø6.35)

MSZ-GS30NA MSZ-GS36NA MSY-GS30NA MSY-GS36NA
1-13. INDOOR UNIT STRUCTURAL PARTS



1-14. ACCESSORY AND REMOTE CONTROLLER



1-13. INDOOR UNIT STRUCTURAL PARTS

1. The part quantity below indicates the required number of pieces per unit.

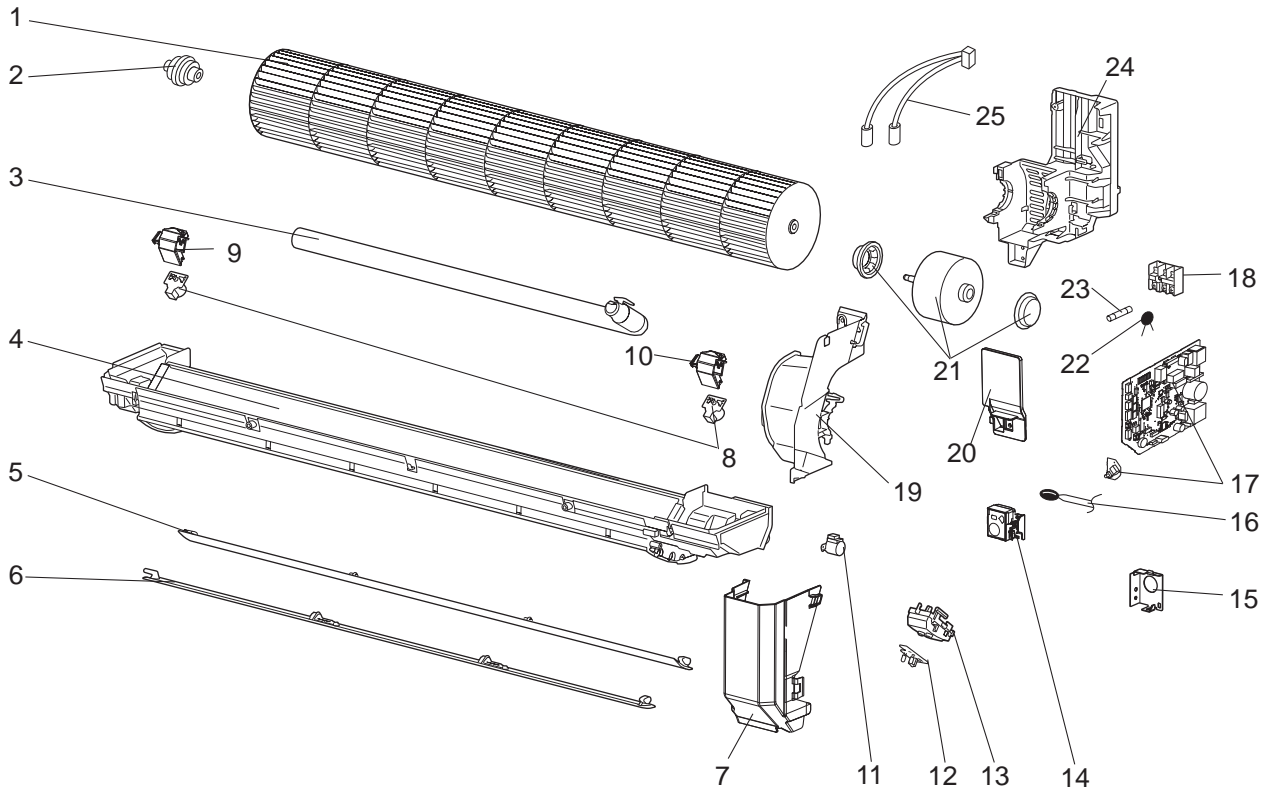
No.	Part No.	Part Name					Symbol In Wiring Diagram	Remarks
			MSZ-GS30NA - [U1]	MSZ-GS36NA - [U1]	MSY-GS30NA - [U1]	MSY-GS36NA - [U1]		
1	E22 C92 970	INSTALLATION PLATE	1	1	1	1		
2	E22 45N 234	BOX ASSEMBLY	1	1	1	1		
3	E22 45N 000	PANEL ASSEMBLY	1	1	1	1		Includes No.4, 5, 6 and 7
4	E22 408 142	CATCH	2	2	2	2		2 PCS/SET
5	E22 C92 142	CATCH	2	2	2	2		2 PCS/SET
6	E22 55J 067	SCREW CAP	3	3	3	3		3 PCS/SET
7	E22 B04 010	FRONT PANEL	1	1	1	1		
8	E22 45N 100	AIR FILTER (NANO PLATINUM FILTER)	2	2	2	2		1 PC/SET
9	E22 C92 975	CORNER BOX	1	1	1	1		
10	—	AIR CLEANING FILTER (ANTI-ALLERGY ENZYME FILTER)	2	2	2	2		2 PCS/SET MAC-1415FT-E

1-14. ACCESSORY AND REMOTE CONTROLLER

1. The part quantity below indicates the required number of pieces per unit.

No.	Part No.	Part Name					Symbol In Wiring Diagram	Remarks
			MSZ-GS30NA - [U1]	MSZ-GS36NA - [U1]	MSY-GS30NA - [U1]	MSY-GS36NA - [U1]		
11	E22 45N 426	REMOTE CONTROLLER	1	1				KM15H
11	E22 47N 426	REMOTE CONTROLLER			1	1		KM15J
12	E22 527 083	REMOTE CONTROLLER HOLDER	1	1	1	1		

MSZ-GS30NA MSZ-GS36NA MSY-GS30NA MSY-GS36NA
1-15. INDOOR UNIT ELECTRICAL PARTS AND FUNCTIONAL PARTS

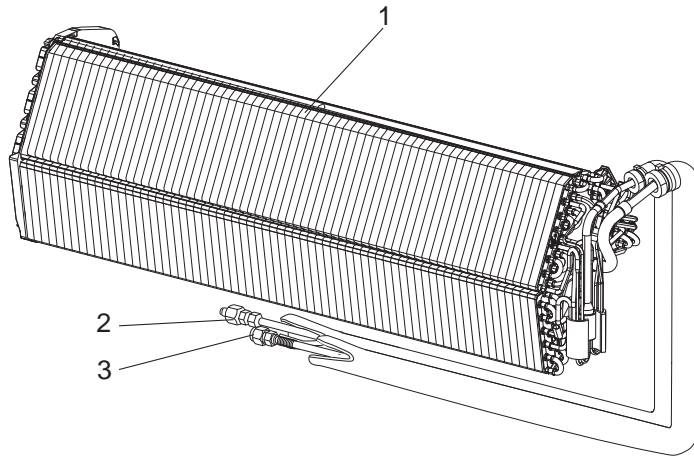


1-15. INDOOR UNIT ELECTRICAL PARTS AND FUNCTIONAL PARTS

1. The part quantity below indicates the required number of pieces per unit.

No.	Part No.	Part Name	MSZ-GS30NA - □□	MSZ-GS36NA - □□	MSY-GS30NA - □□	MSY-GS36NA - □□	Symbol In Wiring Diagram	Remarks
1	E22 55J 302	LINE FLOW FAN	1	1	1	1		
2	E22 A89 509	BEARING MOUNT ASSEMBLY	1	1	1	1		
3	E22 T20 702	DRAIN HOSE	1	1	1	1		
4	E22 45N 235	NOZZLE ASSEMBLY	1	1	1	1		Full assembly except DRAIN HOSE
5	E22 C92 040	VANE UPPER	1	1	1	1		
6	E22 C92 041	VANE LOWER	1	1	1	1		
7	E22 518 541	WATER COVER	1	1	1	1		
8	E22 448 303	VANE MOTOR (VERTICAL)	2	2	2	2	MV2, MV3	RIGHT & LEFT
9	E22 73F 303	VANE MOTOR UNIT (L) (VERTICAL)	1	1	1	1		Includes MV3
10	E22 77F 303	VANE MOTOR UNIT (R) (VERTICAL)	1	1	1	1		Includes MV2
11	E22 749 303	VANE MOTOR (HORIZONTAL)	1	1	1	1	MV1	UP & DOWN
12	E22 55J 468	POWER MONITOR RECEIVER P.C. BOARD	1	1	1	1		
13	E22 C92 095	POWER MONITOR RECEIVER HOLDER	1	1	1	1		
14	E22 55J 782	SWITCH HOLDER	1	1	1	1		
15	E22 73F 978	CONDUIT PLATE	1	1	1	1		
16	E22 45N 308	ROOM TEMPERATURE THERMISTOR	1	1	1	1	RT11	
17	E22 45N 452	ELECTRONIC CONTROL P.C. BOARD	1					Includes SW P.C. BOARD
17	E22 46N 452	ELECTRONIC CONTROL P.C. BOARD		1				Includes SW P.C. BOARD
17	E22 47N 452	ELECTRONIC CONTROL P.C. BOARD			1			Includes SW P.C. BOARD
17	E22 48N 452	ELECTRONIC CONTROL P.C. BOARD				1		Includes SW P.C. BOARD
18	E22 55J 374	TERMINAL BLOCK	1	1	1	1	TB	
19	E22 C92 333	MOTOR BAND	1	1	1	1		
20	E22 73F 784	V.A.CLAMP	1	1	1	1		
21	E22 55J 300	INDOOR FAN MOTOR ASSEMBLY	1	1	1	1	MF	RC0J56-□□ Includes FAN MOTOR RUBBER MOUNT (2 PCS/SET)
22	E22 B75 385	VARISTOR	1	1	1	1	NR11	
23	E22 42J 382	FUSE	1	1	1	1	F11	T3.15AL250V
24	E22 55J 333	MOTOR BED	1	1	1	1		
25	E22 45N 307	INDOOR COIL THERMISTOR	1	1	1	1	RT12, RT13	

MSZ-GS30NA MSZ-GS36NA MSY-GS30NA MSY-GS36NA
1-16. INDOOR UNIT HEAT EXCHANGER

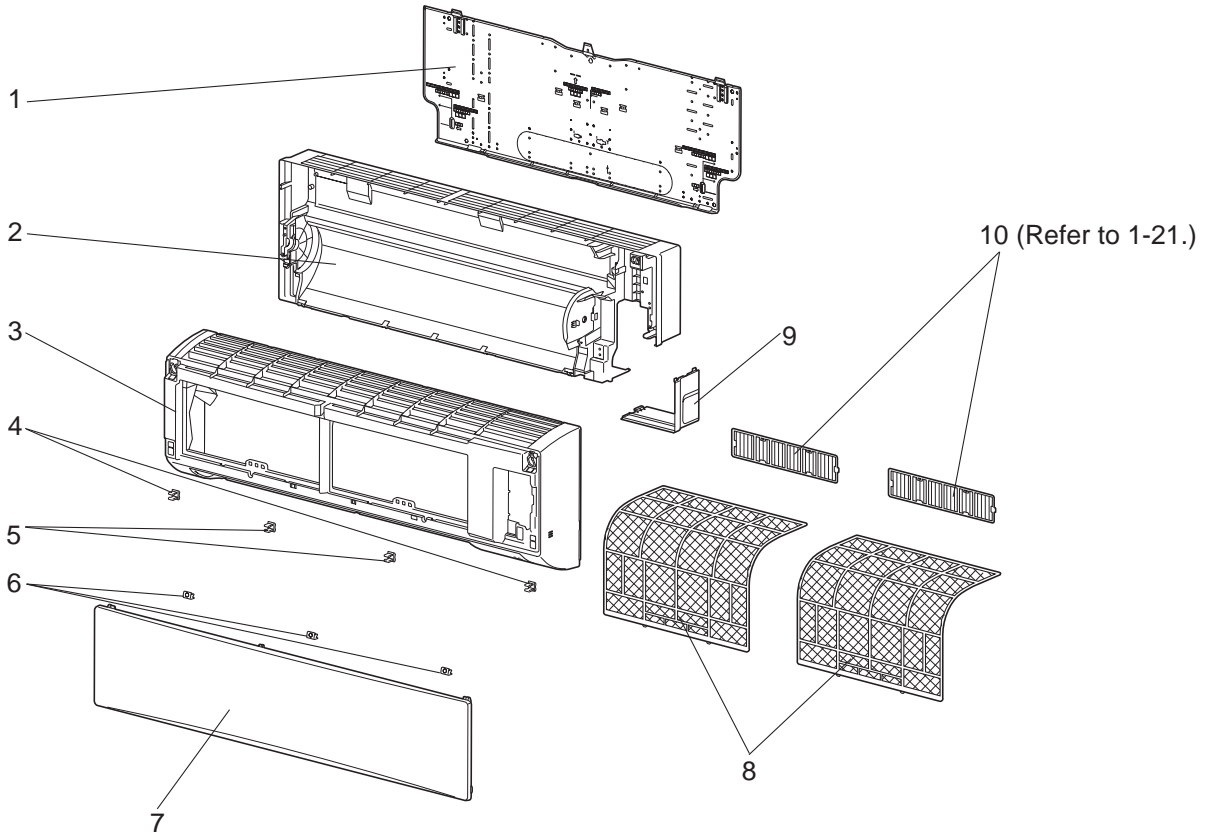


1-16. INDOOR UNIT HEAT EXCHANGER

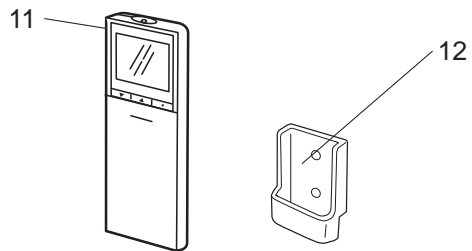
1. The part quantity below indicates the required number of pieces per unit.

No.	Part No.	Part Name	MSZ-GS30NA - <input type="checkbox"/> U1	MSZ-GS36NA - <input type="checkbox"/> U1	MSY-GS30NA - <input type="checkbox"/> U1	MSY-GS36NA - <input type="checkbox"/> U1	Symbol In Wiring Diagram	Remarks
1	E22 45N 620	INDOOR HEAT EXCHANGER	1	1	1	1		Full assembly except connect pipe
2	E22 151 667	UNION (LIQUID)	1	1	1	1		ø1/4
3	E22 527 666	UNION (GAS)	1	1	1	1		ø5/8

MSZ-GS30NA2 MSZ-GS36NA2 MSY-GS30NA2 MSY-GS36NA2
1-17. INDOOR UNIT STRUCTURAL PARTS



1-18. ACCESSORY AND REMOTE CONTROLLER



1-17. INDOOR UNIT STRUCTURAL PARTS

1. The part quantity below indicates the required number of pieces per unit.

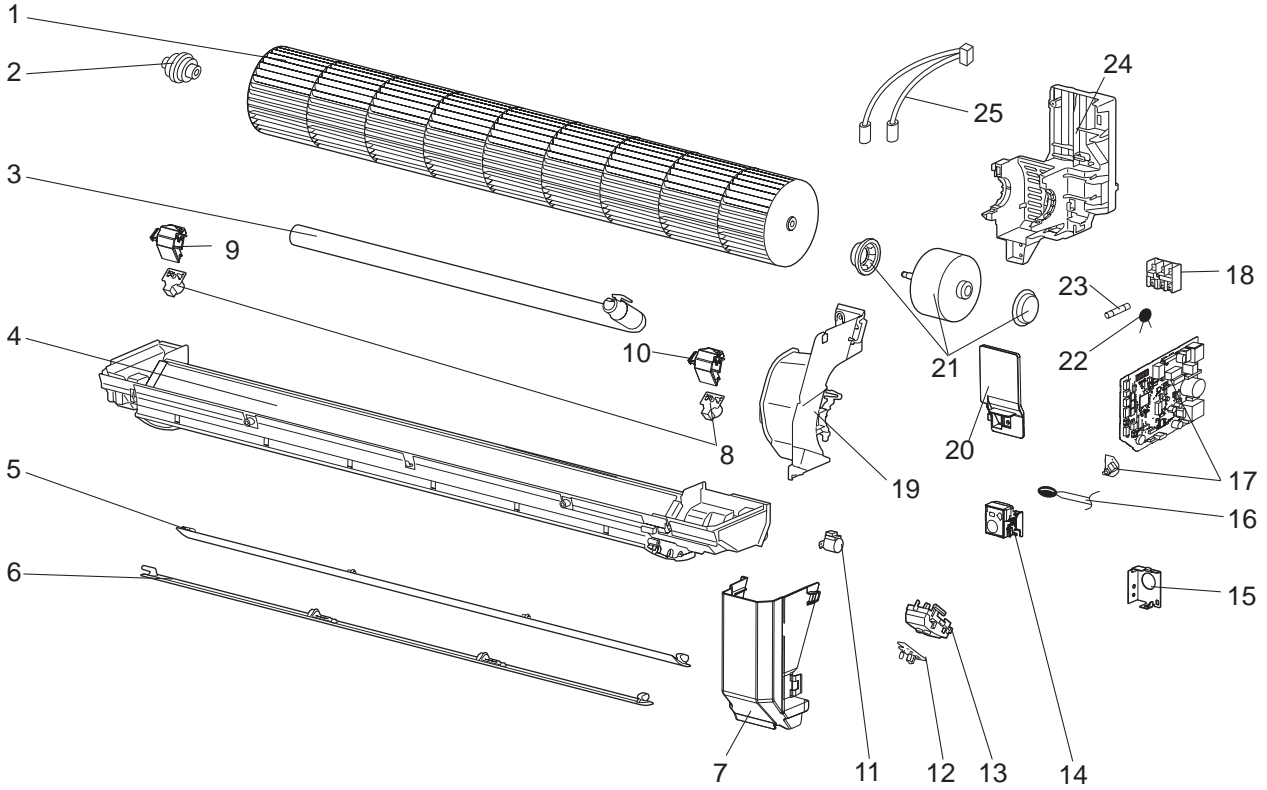
No.	Part No.	Part Name	MSZ-GS30NA2 - U1	MSZ-GS36NA2 - U1	MSY-GS30NA2 - U1	MSY-GS36NA2 - U1	Symbol In Wiring Diagram	Remarks
1	E22 C92 970	INSTALLATION PLATE	1	1	1	1		
2	E22 45N 234	BOX ASSEMBLY	1	1	1	1		
3	E22 45N 000	PANEL ASSEMBLY	1	1	1	1		Includes No.4, 5, 6 and 7
4	E22 408 142	CATCH	2	2	2	2		2 PCS/SET
5	E22 C92 142	CATCH	2	2	2	2		2 PCS/SET
6	E22 55J 067	SCREW CAP	3	3	3	3		3 PCS/SET
7	E27 B04 010	FRONT PANEL	1	1	1	1		
8	E22 45N 100	AIR FILTER (NANO PLATINUM FILTER)	2	2	2	2		1 PC/SET
9	E22 C92 975	CORNER BOX	1	1	1	1		
10	—	AIR CLEANING FILTER (ANTI-ALLERGY ENZYME FILTER)	2	2	2	2		2 PCS/SET MAC-1415FT-E

1-18. ACCESSORY AND REMOTE CONTROLLER

1. The part quantity below indicates the required number of pieces per unit.

No.	Part No.	Part Name	MSZ-GS30NA2 - U1	MSZ-GS36NA2 - U1	MSY-GS30NA2 - U1	MSY-GS36NA2 - U1	Symbol In Wiring Diagram	Remarks
11	E22 19T 426	REMOTE CONTROLLER	1	1				SH22E
11	E22 20T 426	REMOTE CONTROLLER			1	1		SH22F
12	E22 41G 083	REMOTE CONTROLLER HOLDER	1	1	1	1		

MSZ-GS30NA2 MSZ-GS36NA2 MSY-GS30NA2 MSY-GS36NA2
1-19. INDOOR UNIT ELECTRICAL PARTS AND FUNCTIONAL PARTS



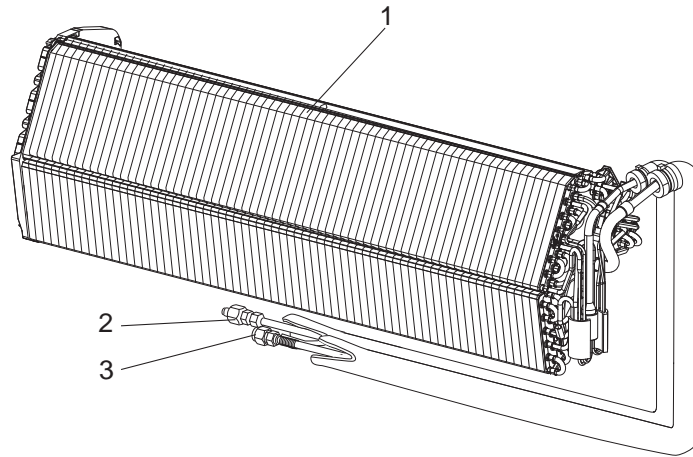
1-19. INDOOR UNIT ELECTRICAL PARTS AND FUNCTIONAL PARTS

1. The part quantity below indicates the required number of pieces per unit.

2. The circled No. indicates that the part is not shown in the figure.

No.	Part No.	Part Name	MSZ-GS30NA2 - <input type="checkbox"/> U1	MSZ-GS36NA2 - <input type="checkbox"/> U1	MSY-GS30NA2 - <input type="checkbox"/> U1	MSY-GS36NA2 - <input type="checkbox"/> U1	Symbol In Wiring Diagram	Remarks
1	E22 55J 302	LINE FLOW FAN	1	1	1	1		
2	E22 A89 509	BEARING MOUNT ASSEMBLY	1	1	1	1		
3	E22 T20 702	DRAIN HOSE	1	1	1	1		
4	E22 52V 235	NOZZLE ASSEMBLY	1	1	1	1		Full assembly except DRAIN HOSE
5	E22 C92 040	VANE UPPER	1	1	1	1		
6	E22 C92 041	VANE LOWER	1	1	1	1		
7	E27 518 541	WATER COVER	1	1	1	1		
8	E22 448 303	VANE MOTOR (VERTICAL)	2	2	2	2	MV2, MV3	RIGHT & LEFT
9	E22 73F 303	VANE MOTOR UNIT (L) (VERTICAL)	1	1	1	1		Includes MV3
10	E22 77F 303	VANE MOTOR UNIT (R) (VERTICAL)	1	1	1	1		Includes MV2
11	E22 749 303	VANE MOTOR (HORIZONTAL)	1	1	1	1	MV1	UP & DOWN
12	E22 55J 468	POWER MONITOR RECEIVER P.C. BOARD	1	1	1	1		
13	E22 C92 095	POWER MONITOR RECEIVER HOLDER	1	1	1	1		
14	E22 55J 782	SWITCH HOLDER	1	1	1	1		
15	E22 73F 978	CONDUIT PLATE	1	1	1	1		
16	E22 45N 308	ROOM TEMPERATURE THERMISTOR	1	1	1	1	RT11	
17	E22 52V 452	ELECTRONIC CONTROL P.C. BOARD	1					Includes SW P.C. BOARD
17	E22 53V 452	ELECTRONIC CONTROL P.C. BOARD		1				Includes SW P.C. BOARD
17	E22 54V 452	ELECTRONIC CONTROL P.C. BOARD			1			Includes SW P.C. BOARD
17	E22 55V 452	ELECTRONIC CONTROL P.C. BOARD				1		Includes SW P.C. BOARD
18	E22 52V 375	TERMINAL BLOCK	1	1	1	1	TB	
19	E22 C92 333	MOTOR BAND	1	1	1	1		
20	E22 73F 784	V.A.CLAMP	1	1	1	1		
21	E22 55J 300	INDOOR FAN MOTOR ASSEMBLY	1	1	1	1	MF	RC0J56-□□ Includes FAN MOTOR RUBBER MOUNT (2 PCS/SET)
22	E22 K90 385	VARISTOR	1	1	1	1	NR11	
23	E22 C67 382	FUSE	1	1	1	1	F11	T3.15AL250V
24	E22 55J 333	MOTOR BED	1	1	1	1		
25	E22 45N 307	INDOOR COIL THERMISTOR	1	1	1	1	RT12, RT13	
(26)	—	DRAIN CAP	1	1	1	1		[SU26R611H01]

MSZ-GS30NA2 MSZ-GS36NA2 MSY-GS30NA2 MSY-GS36NA2
1-20. INDOOR UNIT HEAT EXCHANGER



1-20. INDOOR UNIT HEAT EXCHANGER

1. The part quantity below indicates the required number of pieces per unit.

No.	Part No.	Part Name	MSZ-GS30NA2 - [U1]	MSZ-GS36NA2 - [U1]	MSY-GS30NA2 - [U1]	MSY-GS36NA2 - [U1]	Symbol In Wiring Diagram	Remarks
1	E22 52V 620	INDOOR HEAT EXCHANGER	1	1	1	1		Full assembly except connect pipe
2	E22 151 667	UNION (LIQUID)	1	1	1	1		ø1/4
3	E22 527 666	UNION (GAS)	1	1	1	1		ø5/8

1-21. AIR CLEANING FILTER

Every 3 months:

- Remove dirt by a vacuum cleaner.

When dirt cannot be removed by vacuum cleaning:

- Soak the filter and its frame in lukewarm water before rinsing it.
- After washing, dry it well in shade.

Every year:

- Replace it with a new air cleaning filter for best performance.

NOTE 1: Clean the filters regularly for best performance and to reduce power consumption.

NOTE 2: Dirty filters cause condensation in the air conditioner which will contribute to the growth of fungi such as mold. It is therefore recommended to clean air filters every 2 weeks.

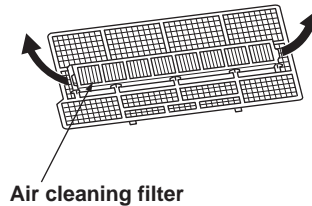
(ANTI-ALLERGY ENZYME FILTER)

Model	Part No.
MSZ-GS06NA MSZ-GS09NA MSZ-GS12NA MSZ-GS15NA MSZ-GS18NA MSY-GS09NA MSY-GS12NA MSY-GS15NA MSY-GS18NA	MAC-408FT-E
MSZ-GS30NA MSZ-GS36NA MSY-GS30NA MSY-GS36NA MSZ-GS30NA2 MSZ-GS36NA2 MSY-GS30NA2 MSY-GS36NA2	MAC-1415FT-E

MSZ-GS06/09/12/15/18NA

MSY-GS09/12/15/18NA

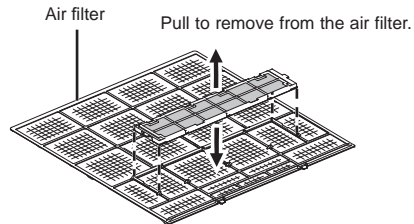
Pull to remove from the air filter



Air cleaning filter

MSZ-GS30/36NA MSY-GS30/36NA

MSZ-GS30/36NA2 MSY-GS30/36NA2



Attach to the air filter.

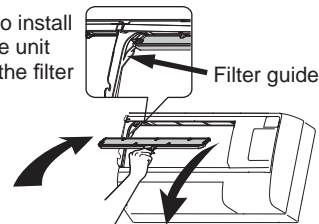
(ELECTROSTATIC ANTI-ALLERGY ENZYME FILTER)

Model	Part No.
MSZ-GS24NA MSY-GS24NA	MAC-2310FT-E

MSZ-GS24NA

MSY-GS24NA

Push to install into the unit along the filter guide.



Pull to remove from the unit.

2. AIR CLEANING FILTER (MICROPARTICLE CATCHING FILTER)

Every 3 months:

- Remove dirt by a vacuum cleaner.
- Do not wash it with water. Replace it with a new air cleaning filter when tobacco tar or oil stains adhere to it.
- Put it back to its original position, and install all tabs of the air cleaning filter.

Every 3 year:

- Replace it with a new air cleaning filter for best performance.

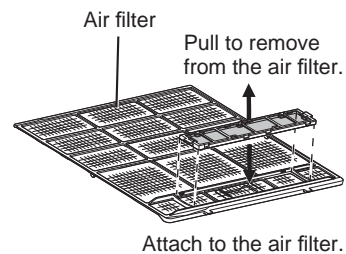
NOTE 1: Clean the filters regularly for best performance and to reduce power consumption.

NOTE 2: Dirty filters cause condensation in the air conditioner which will contribute to the growth of fungi such as mold. It is therefore recommended to clean air filters every 2 weeks.

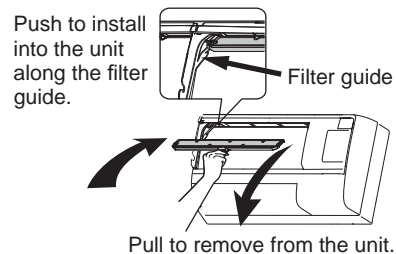
Air cleaning filter replacement

MSZ-GS06NA MSZ-GS09NA MSZ-GS12NA MSZ-GS15NA MSZ-GS18NA MSY-GS09NA MSY-GS12NA MSY-GS15NA MSY-GS18NA	MAC-EMF515FT-E
MSZ-GS24NA MSY-GS24NA	MAC-EMF615FT-E

MSZ-GS06/09/12/15/18NA MSY-GS09/12/15/18NA



MSZ-GS24NA MSY-GS24NA



mitsubishi electric corporation

HEAD OFFICE: TOKYO BUILDING, 2-7-3, MARUNOUCHI, CHIYODA-KU, TOKYO 100-8310, JAPAN

© Copyright 2021 MITSUBISHI ELECTRIC CORPORATION

Issued: Oct. 2022 No. OBB874 REVISED EDITION-A

Published: Jan. 2021. No. OBH874

Made in Japan

Specifications subject to change without notice.