

MANUFACTURED FOR:  
MITSUBISHI ELECTRIC US, INC.

Air-Conditioners

**PAA-A18, 24, 30, 36, 42AA1/BA1/CA1**

**OPERATION MANUAL**

FOR USER

For safe and correct use, please read this operation manual thoroughly before operating this product.

En

**MANUAL DE OPERACIÓN**

PARA EL USUARIO

Para un uso seguro y correcto, lea detenidamente este manual de operación antes de utilizar este producto.

Es

**MANUEL D'UTILISATION**

POUR L'UTILISATEUR

Pour une utilisation sûre et correcte, veuillez lire attentivement ce manuel d'utilisation avant d'utiliser ce produit.

Fr



# Table of Contents

PAA-A18, 24, 30, 36, 42AA1/BA1/CA1 .....	3
1. Warning .....	3
2. Disclaimer .....	4
3. Safety precautions .....	5
4. System introduction .....	10
5. Operation .....	12
5.1. Balance points .....	12
5.1.1. Economic balance point .....	12
5.1.2. Capacity balance point .....	12
5.2. Control box user interface .....	13
5.3. Operation mode .....	13
5.4. Auto restart function .....	14
6. Timer .....	15
7. Care and cleaning .....	16
8. Troubleshooting .....	18
9. Specifications .....	21
PAA-A18, 24, 30, 36, 42AA1/BA1/CA1 .....	22
1. Avertissement .....	22
2. Avis de non-responsabilité .....	23
3. Précautions de sécurité .....	24
4. Présentation du système .....	30
5. Fonctionnement .....	32
5.1. Points d'équilibre .....	32
5.1.1. Point d'équilibre économique .....	32
5.1.2. Point d'équilibre de capacité .....	32
5.2. Interface utilisateur de la boîte de commande .....	33
5.3. Mode de fonctionnement .....	33
5.4. Fonction de redémarrage automatique .....	34
6. Minuterie .....	35
7. Entretien et nettoyage .....	36
8. Dépannage .....	38
9. Spécifications .....	41
PAA-A18, 24, 30, 36, 42AA1/BA1/CA1 .....	42
1. Advertencia .....	42
2. Exención de responsabilidad .....	43
3. Precauciones de seguridad .....	44
4. Introducción al sistema .....	50
5. Operación .....	52
5.1. Puntos de equilibrio .....	52
5.1.1. Punto de equilibrio económico .....	52
5.1.2. Punto de equilibrio de capacidad .....	52
5.2. Interfaz de usuario de la caja de control .....	53
5.3. Modo de operación .....	53
5.4. Función de reinicio automático .....	54
6. Temporizador .....	55
7. Cuidado y limpieza .....	56
8. Solución de problemas .....	58
9. Especificaciones .....	61

# 1. Warning

- This product should only be installed, repaired, serviced, moved, etc. by personnel with the proper training, qualifications and certifications as required by laws and codes.
- Installation, repair, servicing, moving, etc. by persons without proper training, qualifications and certifications as required by laws and codes, or failure to fully read and follow all safety precautions and instructions in this manual may result in serious bodily injury or death.
- Ensure that you read this manual carefully and follow all warnings, cautions and instructions; failure to do so will result in electric shock, property damage, equipment damage, suffocation, fire, smoke, explosions and poisoning.

## 2. Disclaimer

Data and information presented in this document are based on tests and information, which we believe to be reliable. This document is provided for information purposes only and does not constitute a warranty, expressed or implied, including any warranty of merchantability or fitness. The instructions, warnings and cautions in this operation manual are not optional and must be followed in order to ensure proper functionality of the product, and to avoid any injuries or damages to property. Manufacturer will not be liable for any damages, structural or otherwise due to the failure to follow the operation instructions listed in this manual.

The technical and application information herein is based on the present state of our best scientific and practical knowledge. As the information herein is of a general nature, no assumption can be made as to a product's suitability for a particular use or application and no warranty as to its accuracy, reliability or completeness either expressed or implied is given other than those required by law. The user is responsible for checking the suitability of products for their intended use. Instructions and information about our products are updated on a regular basis (visit [mylinkdrive.com](http://mylinkdrive.com)); it is the user's responsibility to obtain and to confirm the most recent version. Information contained in this manual may change without notice.

## 3. Safety precautions

- Before operating the unit, make sure you read this entire section.
- Ensure all precautions are followed.
- Carefully read the labels affixed to the main unit.

Symbols used in the text



### WARNING

Describes precautions that should be observed to prevent danger of injury or death to the user.



### CAUTION

Describes precautions that should be observed to prevent damage to the unit.



### WARNING

#### Risks related to PAA unit installation or repair

- Prohibit anyone without the proper qualifications from doing repairs or installation. If the unit needs to be repaired or installed, consult a dealer, contractor or technician with proper certification as required by laws and codes.
  - Improper repairs or installation by the user may result in water leakage, electric shock or fire.
- Due to improper installation of PAA unit (drain pan of this product) or forgetting to install the float switch, the condensed water of the PAA heat exchanger will deviate from the specified path and may cause water to leak on to the heat exchanger of the gas furnace. This may cause gas, oil, and water leakage from furnace due to corrosion over time. Furthermore, this can lead to poisoning, fire, explosion, water leakage, and bodily harm and damage to property.
- When PAA unit (this product) is supported from the ceiling in a garage or an occupied area, the product may fall due to insufficient strength of the suspension or support, or deterioration over time, etc., causing bodily harm and damage to property. In some cases, it can lead to death.

**WARNING****Electrical risks**

- Have all electric work performed by an electrician properly qualified in the state where the electric work is being performed, according to the “National Electrical Code” and local electrical codes, “Interior Wire Regulations” and instructions given in the PAA unit installation manual, and always use a dedicated breaker.
  - If the power source capacity is inadequate or electric work is performed improperly, electric shock and fire may result.
- Keep the electric parts away from water.
  - It might result in electric shock, fire or smoke.
- Read the chapters from the "Selecting an installation site" chapter to the "Electrical wiring" chapter of the PAA installation manual carefully before operating the equipment. Do not operate the furnace, PAA unit or outdoor unit with the panel or guard removed. Injury may occur if you touch the rotating fan of the furnace or outdoor unit, high-temperature parts such as compressors and pipes, or high-voltage parts such as terminal blocks.
- Do not splash water over the unit and do not touch the unit with wet hands.
  - An electric shock may result.
- If the supply cord is damaged, it must be replaced by the manufacturer, service personnel or licensed person.
  - This may result in electric shock or fire.

**WARNING****Refrigerant leak risks**

- When the outdoor unit stop valve is left closed after installation/service, or when the outdoor unit stop valve is closed due to operation stop, the volume of the liquid refrigerant in the refrigerant piping expands due to the heating operation in the gas furnace, causing coil or refrigerant piping to rupture.
- Should the refrigerant leak and cause the safety limit to be exceeded, hazards could result due to lack of oxygen in the room. If odor is detected please contact a dealer, contractor or technician regarding the appropriate measures to prevent the safety limit from being exceeded.
  - If the refrigerant gas comes into contact with a flame, poisonous gases will be released. When odor is detected, contact a dealer, contractor or technician regarding the appropriate measures to prevent the safety limit from being exceeded.
- Never use an open flame to detect refrigerant leaks. Use a leak test sensor or other approved methods for leak testing.
  - Explosive conditions may occur.



## WARNING

### Fuel leak risks

- Fuel and combustion gas may flow into the room if the exhaust duct is leaking, there is a gap due to insufficient fixing of the connection part, or if regular maintenance is neglected. As a result, fatal hazards such as poisoning and fire explosion may occur, so regular maintenance is recommended to check for the following:
  - Cracked ducts
  - Clogged ducts
  - Insufficient exhaust capacity or abnormal stop of the exhaust fan of gas furnace
  - Gas leak due to gas furnace heat exchanger failure (including corrosion due to poor installation environment)
  - Incomplete combustion due to gas furnace equipment failure (malfunction/parts\* failure)
    - \* Parts refer to piping, valves, electrical wiring, electrical/electronic parts, sensors, circuit breakers, etc.
  - Short-circuit or ground fault due to ignition, tracking or insufficient insulation of gas furnace parts
  - Damage to internal and external wiring of gas furnace
  - Deterioration of heat resistance, strength, corrosion resistance, insulation, etc. of gas furnace peripheral components
  - Gas furnace protection circuit malfunction
  - Electrical components for electromagnetic noise interference due to normal use over time, parts failure, and/or installation of nearby electrical devices
  - Inadequate confirmation of recalled products from the design/manufacturing year of gas furnace
  - Maintaining an abnormal installation state by overlooking a gas furnace installation error or a red tag
- If our equipment is not installed, used, or maintained as described in the PAA unit installation/operation manual, the following problems may occur. In this case, stop the operation immediately by turning off the power, etc., and ask the dealer or contractor for inspection. Otherwise, gas leaks can cause poisoning, fire, explosions, water leaks, etc., which can cause serious bodily harm and damage to property.
  - If the installation or operating environment is out of the warranty range, the control box may malfunction, and the gas furnace protection functions may also fail and disable. The effect of the excessive heat generated by the gas furnace can cause cracks in the coil section resulting in refrigerant and oil leaks. Furthermore, poisoning, fire, and explosions may occur from this, doing so can cause bodily harm and damage to property.
- What to do if you smell gas:
  - Do not try to light any appliance.
  - Do not touch any electrical switch.
  - Do not use any phone in your building. Immediately call your gas supplier from a neighboring location.
  - Follow the gas supplier's instructions.
  - If you cannot reach your gas supplier, call the fire department.



## WARNING

### Safety guidelines

- Do not touch the heat exchanger fins.
  - Improper handling may result in injury.
- When cleaning the heat exchanger and drain pan, ensure water does not get spilled over furnace parts, PAA unit insulation or air duct insulation.
  - Failure to do so can cause heat exchanger corrosion and contribute to insulation aging.
- Do not reconstruct or change the settings of the protective devices.
  - If the pressure switch, thermal switch, float switch or other protection devices are shorted and operated forcibly, or parts other than those specified by Mitsubishi Electric are used, fire or explosion may result.
- Do not stand on, or place any items on the unit.
  - This may cause damage to the unit or injury.
- Do not operate the PAA unit and the outdoor unit with the panels and guards removed.
  - Rotating, hot, or high-voltage parts can cause injuries.
- Never insert fingers, sticks etc. into the intakes or outlets. Children should not be allowed around the PAA unit, furnace or outdoor unit equipment.
  - This may result in injury or electric shock.
- Do not store or use gasoline or other flammable vapors and liquids in the vicinity of this or any other appliance.
  - Explosive conditions may occur.
- Should furnace discharge air and fail to shut off, follow the furnace installation manual to disable the gas and electric supply to the furnace.
  - This may result in overheating.
- Never block or cover the indoor or outdoor unit's intakes or outlets.
  - This may result in damage to property such as fire.
- To dispose of this product, consult a dealer, contractor or technician with proper certification as required by laws and codes.
  - This may result in injury or electric shock.



**WARNING****Install and operation guidelines**

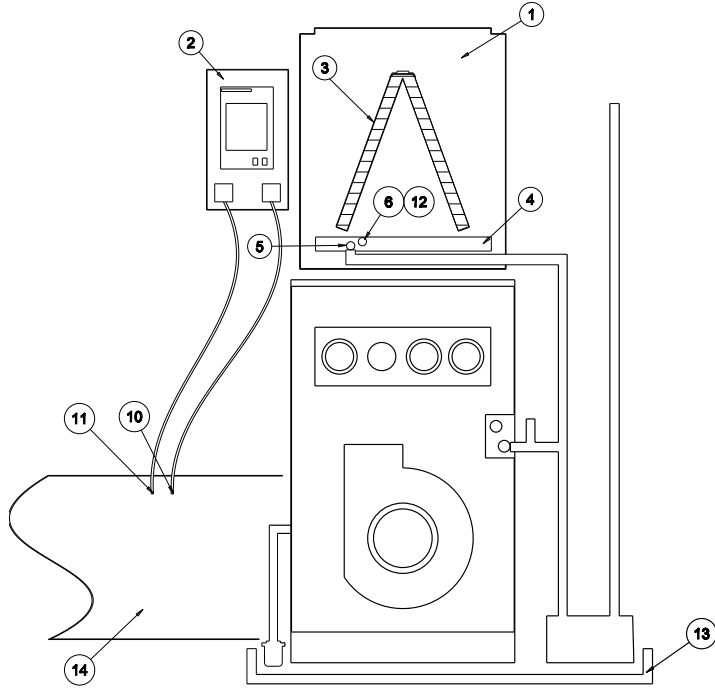
- When removing and reinstalling the PAA unit, consult a dealer, contractor or technician with certifications as required by laws and codes on proper installation to avoid the risk of water leakage, electric shock, or fire.
  - If the air conditioner is installed improperly, water leakage, electric shock or fire may result.
- The appliance is not intended for use by persons with reduced physical, sensory or mental capabilities, or lack of experience and knowledge (including children), unless they have been given supervision or instruction concerning use of the appliance by a person responsible for their safety.
  - This may result in injury.
- If the gas furnace is not certified to safety standards (ANSI Z21.47/CSA2.3) by a nationally recognized third-party certification organization (AGA, UL, CSA, ETL/Intertek, etc.), or if the gas furnace does not comply with ACCA (Air Conditioning Contractors Association) Standards and Guidelines (Code), NFPA54 (National Fuel Gas Code), NFPA70 (NEC: National Electrical Code), and if the equipment is not properly installed, used, and maintained in accordance with the building code for each district (state, county, city, town, etc.), the following hazards may occur even if our equipment is properly designed, installed, and operated.
  - If a leak sensor is not installed in the room, there is a risk of poisoning symptoms and death without noticing a toxic gas leak.
  - Gas fuel has an odor, but if you do not notice it, there is a risk that it can cause poisoning symptoms, or an accident such as a fire or explosion.
  - If the safety of gas furnace, gas supply piping, and exhaust duct worsen due to improper ventilation of the system [ventilation must be in accordance with Law, Standard or Guideline (Code)], or due to aging deterioration or the influence of the usage environment, there is a risk of poisoning symptoms due to combustion gas or igniting fuel gas and causing a fire or explosion.

**CAUTION****Safety guidelines**

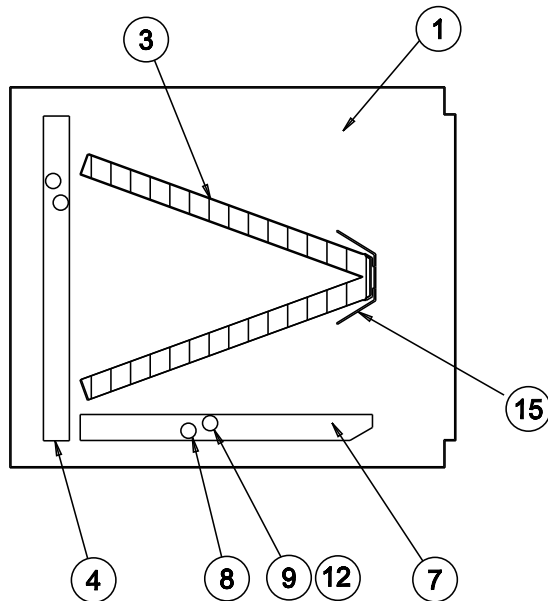
- Monitor the building temperature during periods of cold weather.
  - If for any reason your HVAC system should fail to operate, damage such as burst water pipes could result from lack of proper heating to the space.
- Do not use any sharp object to push the buttons.
  - This may damage the remote controller or control box.
- When abnormal noise or vibration is observed, stop operation, turn off the power switch, and contact your dealer, contractor or technician with proper certification as required by laws and codes.
  - If parts are loose, an internal leak can lead to condensation on the furnace, which can cause damage to property.

## 4. System introduction

### Vertical installations



### Horizontal installations



1. PAA unit cabinet
2. Control box
3. Heat exchanger (hex)
4. Main drain pan
5. Main drain pan primary drain
6. Main drain pan secondary drain
7. Side drain pan (for horizontal installation)
8. Side drain pan primary drain (for horizontal installation)
9. Side drain pan secondary drain (for horizontal installation)
10. TH1 thermistor
11. ACH065 (Non-Adjustable Thermostat, NAT)
12. Float switch (installed at secondary drain)
13. Auxiliary drain pan (not included with PAA unit)
14. Inlet duct (not included with PAA unit)
15. Top plate (for horizontal installation)



### NOTE




Items 13 and 14 are for reference only and are not provided by Mitsubishi Electric US, Inc.



**NOTE**

To adjust the furnace blower speed, refer to furnace manual.

**Controller (use any one of the following options)**

<p>MA remote controller</p>	<p>MHK2 controller</p>	<p>kumo cloud® app* + Wireless Interface 2 (PAC-USWHS002-WF-2)</p>
		

\* The PAA unit is compatible with kumo cloud® app release 2.10 and above.

## 5. Operation

### 5.1. Balance points

The PAA unit automatically switches between heat pump heating and furnace heating based upon configuration parameters and operational data.

The unit supports two outdoor temperature set points—Economic Balance Point and Capacity Balance Point—that determine the most efficient method of heating.

#### 5.1.1. Economic balance point

The Economic Balance Point is the outdoor temperature above which it is more efficient to heat with the heat pump and below which it is more efficient to heat with the furnace.

The ideal Economic Balance Point will depend on the cost of the fossil fuel being used for the furnace, the efficiency of the furnace, the cost of electricity, and the efficiency of the heat pump for heating based upon various outdoor temperatures.

When the PAA unit is first used and the outdoor air temperature is above the Economic Balance Point, the kit first tries to heat the space with the heat pump.

Below the Economic Balance Point, only the furnace is used for heating. Above the Economic Balance Point, either the heat pump or furnace is used for heating.

To configure the Economic Balance Point, refer to the PAA unit installation manual.

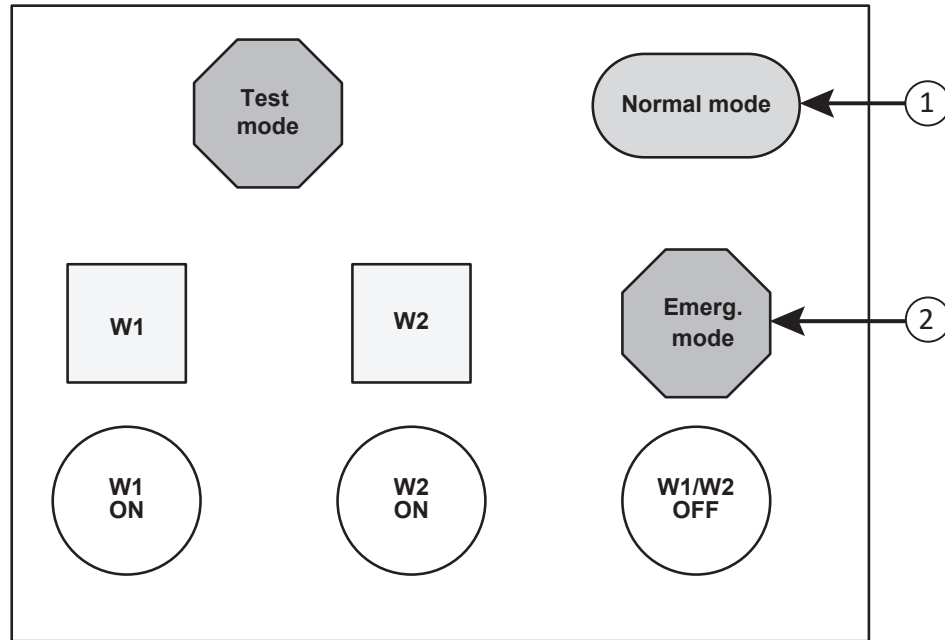
#### 5.1.2. Capacity balance point

In cold climates, when the PAA unit is sized for the cooling load rather than the heating load, the kit may not have the capacity to heat the space using the heat pump even at temperatures above the Economic Balance Point.

If the kit is unable to heat the space within approximately 24 to 29 minutes (due to insufficient heating capacity at the current outdoor temperature), then the PAA unit switches to heating with the furnace. At this point, the system has set the Capacity Balance Point.

During subsequent calls for heat, if the outdoor temperature is below either the Capacity Balance Point or the Economic Balance Point, then only the furnace is used for heating. If the outdoor air temperature is above both the Capacity Balance Point and Economic Balance Point, then the heat pump tries to heat the space first.

## 5.2. Control box user interface



1. Normal mode (indicator color- green): When illuminated, it means the system is functioning normally.
2. Emergency mode (indicator color- red): If illuminated, it means the system is in error mode. Please contact a dealer, contractor or technician with certifications required by laws and codes.

All other indicators and buttons on the control box user interface are installer-only settings. For more information, refer to the PAA unit installation manual.

## 5.3. Operation mode

Available modes: Cool/Dry/Fan/Heat

To select the operation mode, refer to the operation manual for the remote controller you are using.



### NOTE

For cooling-only outdoor units: Heat mode always uses the furnace, instead of the heat pump, to provide heat.

## 5.4. Auto restart function

### Indoor controller board

This model is equipped with the Auto Restart Function.

When the indoor unit is controlled with the remote controller, the operation mode, set temperature and the fan speed are being memorized by the indoor controller board. The Auto Restart Function enables the PAA unit to restart from the last memorized operating parameters (operation mode, set temperature and the fan speed) always.

The Auto Restart Function can be set by using the remote controller (Mode no. 01) as follows.

Mode No.	Mode	Settings	Setting No.	Unit Numbers
01	Automatic recovery after power failure	Disable	1	Set "Grp." for the unit number. These settings apply to all the connected indoor units.
		Enable (four minutes of standby time is required after the restoration of power)	2	

## 6. Timer

Timer functions are different by each remote controller.

For details on how to operate the remote controller, refer to the appropriate operation manual included with each controller.

## 7. Care and cleaning



### WARNING

- It is recommended that the PAA unit be inspected once a year by a qualified service person.
  - Improper maintenance may result in poisonous gas, fire, explosion, electric shock or water leak.
- Clean the unit only after turning it off and disconnecting the power supply.
  - Incorrect cleaning procedures may damage the heat exchanger surfaces, break plastic parts, cause water leakage, or cause electric shock.



### CAUTION

- Use a stable prep stand. Pay extra attention when cleaning the cased coil (maintenance and inspection).
- Clean the drain pan periodically.
  - If dust clogs the drainage pipes, water leaks will occur and the system will not operate in cooling mode.
- For cleaning, contact a dealer, contractor or technician with proper certification as required by laws and codes. (Coils should be cleaned before cooling or heating seasons begin.)



### Maintenance access to clean coil slabs

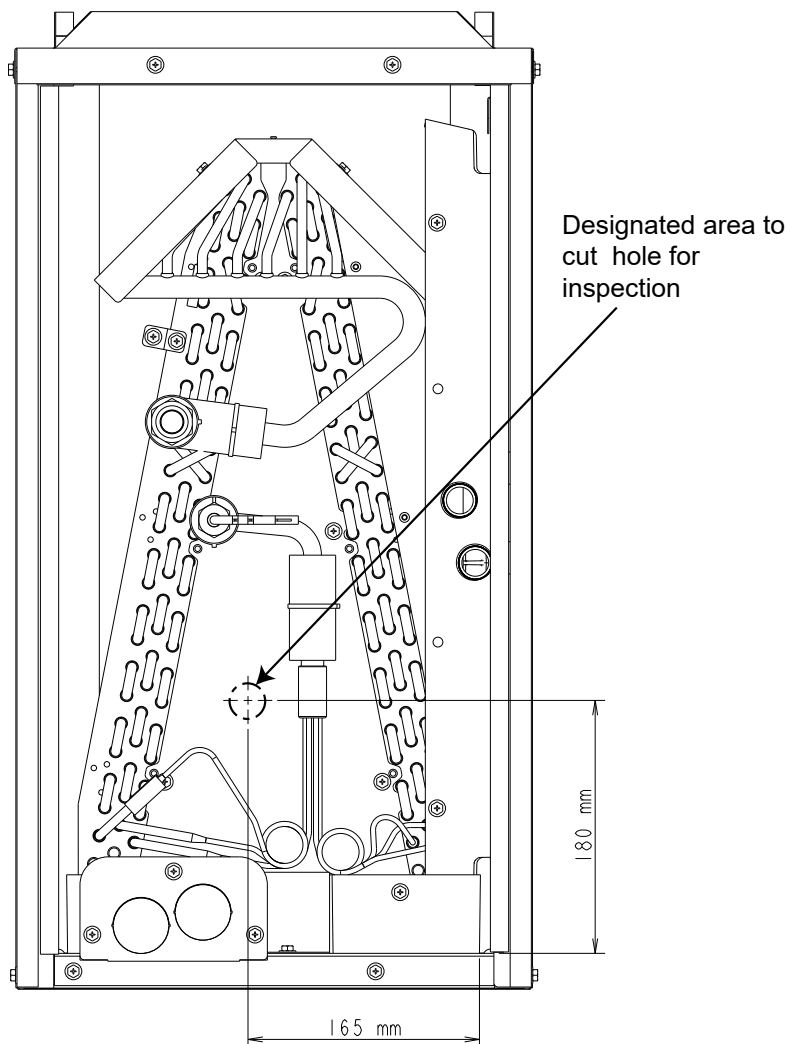
In order to inspect the coil slabs, a hole can be cut in only the designated area of the delta plate, as shown below. Ensure the hole is hermetically sealed after cleaning.



#### CAUTION

A circular area is etched on the delta plate to indicate where a hole can be made in the delta plate without damaging the heat exchanger. This hole can be used for inspecting the inside of the coil to determine if cleaning is required.

Before restarting the PAA unit, make sure this hole is covered and sealed with sealing material that is able to withstand a minimum temperature of 350° F. Otherwise, air leakage may occur.



## 8. Troubleshooting

Having trouble	Here is the solution (Unit is operating normally)
PAA unit does not heat or cool well.	<p>Clean the furnace filter. (Airflow is reduced when the filter is dirty or clogged.)</p> <p>Check the temperature adjustment and adjust the set temperature.</p> <p>Make sure there is plenty of space around the outdoor unit. Check if the indoor unit air intake or outlet is blocked, or if a door or window has been left open.</p>
When the unit starts heating, it takes a while for the unit to start blowing warm air.	Warm air does not blow until the indoor unit has sufficiently warmed up.
During Heat mode, the PAA unit stops before the set room temperature is reached.	When the outdoor temperature is low and the humidity is high, frost may form on the outdoor unit. If this occurs, the outdoor unit performs a defrosting operation. Normal operation should resume after approximately 10 minutes.
A flowing water sound or occasional hissing sound is heard.	These sounds can be heard when refrigerant is flowing in the PAA unit or when the refrigerant flow is changing.
A cracking or creaking sound is heard.	These sounds can be heard when parts rub against each other due to expansion and contraction from temperature changes.
The room has an unpleasant odor.	The indoor unit draws in air that contains gases produced from the walls, carpeting and furniture as well as odors trapped in clothing, and then blows this air back into the room.
A white mist or vapor is emitted from the indoor unit.	<p>If the indoor temperature and the humidity are high, this condition may occur when operation starts.</p> <p>During defrosting mode, cool airflow may blow down and appear like a mist.</p>
Water or vapor is emitted from the outdoor unit.	<p>During Cool mode, water may form and drip from the cool pipes and joints.</p> <p>During Heat mode, water may form and drip from the heat exchanger.</p> <p>During Defrosting mode, water on the heat exchanger evaporates and water vapor may be emitted.</p>
When restarting the PAA unit soon after stopping it, it does not operate right away.	Wait approximately 10 minutes. (Operation has stopped to protect the PAA unit).
"PLEASE WAIT" appears in the remote controller display.	The initial settings are being performed. Wait approximately 3 minutes.

Having trouble	Here is the solution (Unit is operating normally)
An error code appears in the remote controller display.	<p>The protection devices have operated to protect the air conditioner.</p> <p>Do not attempt to repair this equipment by yourself. Turn off the power switch immediately and consult your dealer. Be sure to provide the dealer with the model name and information that appeared in the remote controller display.</p>
Why do I get different air flow when running heat pump heat vs. furnace heat?	<p>Higher air flow is generally required when heating or cooling with the heat pump vs. furnace. To get that higher air flow, the system uses the Y signal (or Y1 and Y2) to control the furnace fan during both heat pump cooling and heat pump heating, whereas it uses W1/W2 signals during furnace heating. Check your furnace's installation manual for instructions on configuring the cooling airflow in order to change the airflow during heat pump (both cooling and heating) operations.</p>
During heat pump heating, my indoor unit (IDU) pipes are not heating up. What's going on?	<p>The first time a system starts up following a power outage, the compressor will run at a low speed for approximately 5-10 minutes in order to ensure that oil is returned back to the outdoor unit. You will see capacity ramp up much more quickly during subsequent heating cycles. Each time you flip the breaker off on the heat pump, expect a slow ramp up on the next cycle.</p>
Where should I install TH1?	<p>Place TH1 in an area where it will sense the mixed return air temperatures. <b>However</b>, do not place TH1:</p> <ul style="list-style-type: none"> <li>• near a bypass duct</li> <li>• close to the furnace</li> </ul> <p><b>If an optimal location of mixed air cannot be identified, select a location in the return duct of the largest or most actively used zone.</b></p>
What happens in the event of a heat pump failure?	<p>If the heat pump loses power or otherwise fails to heat the home, the system will transition into <i>emergency mode</i>, using the furnace to maintain minimum indoor temperatures. Emergency mode is configured to run the furnace according to the non-adjustable thermostat (NAT), which will call for heat at or around 60° F.</p>
My system is flipping between normal and emergency mode every few seconds. What should I do?	<p>Contact Mitsubishi Electric Trane HVAC US LLC Customer Care.</p>
The W1/W2 buttons on the control box are not working? Why not?	<p>These buttons only work when the system is configured to operate in Test mode.</p>
There are two 'R' and two 'C' positions in the 'To Furnace' section on the terminal block. Which one do I use?	<p>You can use either one of the two positions.</p>

Having trouble	Here is the solution (Unit is operating normally)
Do I need to jumper the 'To Furnace' contacts over to the 'To Thermostat' contacts?	No. Please follow the installation instructions described in the PAA unit installation manual.
I am seeing the system short-cycle when heating with the furnace.	TH1 may be mounted too close to the furnace and you are seeing the heat from the furnace cause an over-temp condition. Move it further down the return air plenum, away from the furnace.
How do I reset the system?	<ol style="list-style-type: none"> <li>1. Power down the furnace and outdoor unit and wait 3 minutes.</li> <li>2. Power up the outdoor unit.</li> <li>3. Power up the furnace.</li> </ol>

ENGLISH

# 9. Specifications

ENGLISH

Item / Model			Small Cabinet		Medium Cabinet				Large Cabinet			
			PAA-A18AA1	PAA-A18BA1	PAA-A24AA1	PAA-A24BA1	PAA-A30AA1	PAA-A30BA1	PAA-A36BA1	PAA-A36CA1	PAA-A42BA1	PAA-A42CA1
Power source			208/230V, 1-phase, 60Hz (S1.S2)									
Cooling capacity	Btu/h		18,000	18,000	24,000	24,000	30,000	30,000	36,000	36,000	42,000	42,000
Heating capacity	Btu/h		19,000	19,000	26,000	26,000	32,000	32,000	38,000	38,000	46,000	46,000
Tonnage			1.5	1.5	2	2	2.5	2.5	3	3	3.5	3.5
Dimensions	Height	mm [in]	697 [27.4]						811.6[32]			
	Width	mm [in]	368.3 [14.5]	445.0 [17.5]	368.3 [14.5]	445.0 [17.5]	368.3 [14.5]	445.0 [17.5]	445.0 [17.5]	534.6 [21]	445.0 [17.5]	534.6 [21]
	Depth	mm [in]	543 [21.375]									
Net weight		kg [lb]	30 [66]	34 [74]	30 [66]	35 [76]	30 [66]	35 [76]	39 [85]	46 [100]	39 [85]	46 [100]
Fan	Airflow rate	CFM	525	525	700	700	875	875	1050	1050	1225	1225
	Internal static pressure	in. WG	0.3 (According to AHRI - 210/240, where this is the maximum allowable internal static pressure for "Coil Only" systems)									
		[Pa]	75 (According to AHRI - 210/240, where this is the maximum allowable internal static pressure for "Coil Only" systems)									

\*Target airflow rate for Y or Y1 signal.



## NOTE

Rating conditions (cooling) indoor: 80° F [26.7° C] D.B., 67° F [19.4° C] W.B.

Rating conditions (heating) indoor: 70° F [21.1° C] D.B. Outdoor: 47° F [8.3° C] D.B., 43° F [6.1° C] W.B.

The indicated capacity is the value when one indoor unit is connected to the outdoor unit.

Specifications subject to change without notice.



## NOTE

PAA units should be installed by a dealer, contractor or technician with proper certifications as required by laws and code.

For outdoor units to be connected, refer to the installation manual that comes with the units.

# 1. Avertissement

- Ce produit doit être installé, réparé, entretenu, déplacé, etc. uniquement par du personnel ayant la formation, les qualifications et les certifications appropriées, comme l'exigent les lois et les codes.
- L'installation, la réparation, l'entretien, le déplacement, etc. par des personnes sans formation, qualifications et certifications appropriées, comme l'exigent les lois et les codes, ou négliger de lire et de suivre entièrement toutes les précautions et instructions de sécurité de ce manuel peut entraîner des blessures graves ou la mort.
- Assurez-vous de lire attentivement ce manuel et de suivre l'ensemble des avertissements, mises en garde et instructions; le non-respect de cette consigne peut entraîner une décharge électrique, des dommages matériels, des dommages aux équipements, une suffocation, un incendie, de la fumée, des explosions et un empoisonnement.

## 2. Avis de non-responsabilité

Les données et les renseignements présentés dans ce document sont fondés sur des tests et des renseignements, que nous croyons fiables. Ce document est fourni à titre informatif seulement et ne constitue pas une garantie, expresse ou implicite, y compris toute garantie de qualité marchande ou d'adéquation. Les instructions, les avertissements et les mises en garde de ce manuel d'utilisation ne sont pas facultatifs et doivent être suivis afin d'assurer le bon fonctionnement du produit et d'éviter toute blessure ou tout dommage à la propriété. Le fabricant ne sera pas responsable des dommages, structurels ou autres en raison du non-respect des instructions d'exploitation énumérées dans ce manuel.

Les renseignements techniques et d'application contenus dans le présent document sont fondés sur l'état actuel de nos meilleures connaissances scientifiques et pratiques. Étant donné que les renseignements contenus dans le présent document sont de nature générale, aucune hypothèse ne peut être faite quant à la pertinence d'un produit pour une utilisation ou une application particulière et aucune garantie quant à son exactitude, sa fiabilité ou son exhaustivité expresse ou implicite est donnée autre que celles requises par la loi. L'utilisateur est responsable de vérifier l'adéquation des produits pour l'utilisation prévue. Les instructions et les renseignements sur nos produits sont mis à jour régulièrement (visitez [mylinkdrive.com](http://mylinkdrive.com)); il incombe à l'utilisateur d'obtenir et de confirmer la version la plus récente. Les informations contenues dans ce manuel peuvent changer sans préavis.

## 3. Précautions de sécurité

- Avant d'utiliser l'appareil, assurez-vous de lire toute cette section.
- Assurez-vous que toutes les précautions sont respectées.
- Lisez attentivement les étiquettes apposées sur l'unité principale.

Symboles utilisés dans le texte



### AVERTISSEMENT

Décrit les précautions à observer pour prévenir le danger de blessure ou de mort pour l'utilisateur.



### ATTENTION

Décrit les précautions à observer pour éviter d'endommager l'appareil.



### AVERTISSEMENT

#### Risques liés à l'installation ou à la réparation d'une unité PAA

- Interdire à toute personne n'ayant pas les qualifications appropriées d'effectuer des réparations ou des installations. Si l'appareil doit être réparé ou installé, consultez un concessionnaire, un entrepreneur ou un technicien avec la certification appropriée, conformément aux lois et aux codes.
  - Des réparations ou une installation incorrectes par l'utilisateur peuvent entraîner une fuite d'eau, un choc électrique ou un incendie.
- En raison d'une mauvaise installation de l'unité PAA (panier de vidange de ce produit) ou d'un interrupteur à flotteur non installé, l'eau condensée de l'échangeur de chaleur PAA s'écartera du chemin spécifié et pourrait provoquer une fuite d'eau sur l'échangeur de chaleur de la chaudière à gaz. Le thermostat non réglable (NAT), un thermostat de type construction inclus dans le sac d'accessoires, doit être utilisé comme thermostat d'urgence. De plus, cela peut entraîner un empoisonnement, un incendie, une explosion, des fuites d'eau, des dommages corporels et des dommages matériels.
- Lorsque l'unité PAA (ce produit) est maintenue par le plafond dans un garage ou une zone occupée, le produit peut tomber en raison d'une résistance insuffisante de la suspension ou du support, ou d'une détérioration au fil du temps, causant des dommages corporels et des dommages matériels. Dans certains cas, cela peut entraîner la mort.





## AVERTISSEMENT

### Risques électriques

- Faire en sorte que tous les travaux électriques effectués par un électricien qualifié dans l'État où les travaux électriques sont effectués, conformément au « Code national de l'électricité » et aux codes locaux de l'électricité, au « Règlement sur les câblages intérieurs » et aux instructions indiquées dans le manuel d'installation de l'unité PAA et toujours utiliser un disjoncteur dédié.
  - Si la capacité de la source d'alimentation est inappropriée ou si les travaux électriques sont mal effectués, un choc électrique et un incendie peuvent en résulter.
- Gardez les pièces électriques loin de l'eau.
  - Cela pourrait entraîner un choc électrique, un incendie ou de la fumée.
- Lisez attentivement les chapitres du chapitre « Sélection d'un site d'installation » au chapitre « Câblage électrique » du manuel d'installation de l'unité PAA avant d'utiliser l'équipement. Ne pas faire fonctionner la chaudière, l'unité PAA ou l'appareil extérieur lorsque le panneau ou le protecteur est retiré. Des blessures peuvent se produire si vous touchez le ventilateur rotatif de la chaudière ou de l'unité extérieure, des pièces à haute température comme des compresseurs et des tuyaux ou des pièces à haute tension comme des borniers.
- Ne pas éclabousser d'eau sur l'appareil et ne pas toucher l'appareil avec les mains mouillées.
  - Une décharge électrique peut en résulter.
- Si le cordon d'alimentation est endommagé, il doit être remplacé par le fabricant, le personnel d'entretien ou une personne agréée.
  - Cela peut entraîner une décharge électrique ou un incendie.



## AVERTISSEMENT

### Risques de fuite de réfrigérant

- Lorsque la vanne d'arrêt de l'unité extérieure est laissée fermée après l'installation/l'entretien ou lorsque la vanne d'arrêt de l'unité extérieure est fermée en raison de l'arrêt de fonctionnement, le volume de réfrigérant liquide dans la tuyauterie de frigorigène s'étend en raison de l'opération de chauffage dans la chaudière à gaz, provoquant la rupture de la bobine ou de la tuyauterie de frigorigène.
- Si une fuite de frigorigène cause le dépassement de la limite sécuritaire, il pourrait s'ensuivre des dangers liés au manque d'oxygène dans la pièce. Si des odeurs sont détectées, veuillez contacter un concessionnaire, un entrepreneur ou un technicien pour connaître les mesures appropriées afin d'éviter de dépasser la limite de sécurité.
  - En contact avec une flamme, le frigorigène libère des gaz toxiques. Lorsque des odeurs sont détectées, contactez un concessionnaire, un entrepreneur ou un technicien pour connaître les mesures appropriées pour éviter de dépasser la limite de sécurité.
- N'utilisez jamais une flamme nue pour détecter les fuites de réfrigérant. Utiliser un capteur de test d'étanchéité ou d'autres méthodes approuvées pour le test d'étanchéité.
  - Des conditions explosives peuvent se produire.



## AVERTISSEMENT

### Risques de fuite de carburant

- Le carburant et le gaz de combustion peuvent s'écouler dans la pièce si le conduit d'échappement fuit, s'il y a un écart en raison d'une fixation insuffisante de la pièce de raccordement ou si l'entretien régulier est négligé. Par conséquent, des dangers mortels comme un empoisonnement et une explosion peuvent survenir, il est donc recommandé d'effectuer un entretien régulier pour vérifier les éléments suivants :
  - Conduits fissurés
  - Conduits obstrués
  - Capacité d'échappement insuffisante ou arrêt anormal du ventilateur d'échappement de la chaudière à gaz
  - Fuite de gaz due à une défaillance de l'échangeur de chaleur de la chaudière à gaz (y compris la corrosion due à un mauvais environnement)
  - Combustion incomplète en raison d'une défaillance de l'équipement de la chaudière à gaz (défaillance/dysfonctionnement pièces)
    - \* Les pièces font référence à la tuyauterie, aux vannes, au câblage électrique, aux pièces électriques/électroniques, aux capteurs, aux disjoncteurs, etc.
  - Court-circuit ou défaut à la terre dû à l'allumage, au suivi ou à l'isolation insuffisante des pièces de la chaudière à gaz
  - Dommages au câblage interne et externe de la chaudière à gaz
  - Détérioration de la résistance à la chaleur, de la résistance, de la résistance à la corrosion, de l'isolation, etc. des composants périphériques de la chaudière
  - Défaillance du circuit de protection de la chaudière à gaz
  - Composants électriques pour les interférences électromagnétiques dues à une utilisation normale au fil du temps, à une défaillance des pièces et/ou à l'installation d'appareils électriques à proximité
  - Confirmation inadéquate des produits rappelés de l'année de conception/fabrication de la chaudière à gaz
  - Maintenir un état d'installation anormal en ignorant une erreur d'installation de la chaudière à gaz ou un marquage rouge
- Si notre équipement n'est pas installé, utilisé ou entretenu comme décrit dans le manuel d'installation/d'utilisation de l'unité PAA, les problèmes suivants peuvent survenir. Dans ce cas, arrêtez immédiatement l'opération en coupant l'alimentation, etc., et demandez au concessionnaire ou à l'entrepreneur de vous inspecter. Sinon, les fuites de gaz peuvent causer un empoisonnement, un incendie, des explosions, des fuites d'eau, etc., qui peuvent causer des blessures graves et des dommages matériels.
  - Si l'installation ou l'environnement de fonctionnement est hors de la plage de garantie, la boîte de commande peut mal fonctionner et les fonctions de protection de la chaudière à gaz peuvent également tomber en panne et se désactiver. L'effet de la chaleur excessive générée par la chaudière à gaz peut causer des fissures dans la section de la bobine, entraînant des fuites de réfrigérant et d'huile. De plus, l'empoisonnement, l'incendie et les explosions peuvent en résulter, ce qui peut causer des dommages corporels et des dommages matériels.
- Que faire si vous sentez une odeur de gaz :
  - N'essayez pas d'allumer un appareil.
  - Ne touchez pas d'interrupteur électrique.
  - N'utilisez aucun téléphone dans votre immeuble. Appelez immédiatement votre fournisseur de gaz à partir d'un site voisin.

- Suivez les instructions du fournisseur de gaz.
- Si vous ne pouvez pas joindre votre fournisseur de gaz, appelez le service d'incendie.



## AVERTISSEMENT

### Directives de sécurité

- Ne touchez pas les ailettes de l'échangeur de chaleur.
  - Une mauvaise manipulation peut entraîner des blessures.
- Lors du nettoyage de l'échangeur de chaleur et du bac de vidange, s'assurer que l'eau ne s'écoule pas sur les pièces de la chaudière, l'isolation de l'unité PAA ou le revêtement du conduit d'air.
  - Le non-respect de cette consigne peut causer la corrosion de l'échangeur de chaleur et contribuer au vieillissement de l'isolation.
- Ne pas recréer ou modifier les réglages des dispositifs de protection.
  - Si le commutateur de pression, le commutateur thermique, le commutateur à flotteur ou d'autres dispositifs de protection sont court-circuités et utilisés en force, ou si des pièces autres que celles spécifiées par Mitsubishi Electric sont utilisées, un incendie ou une explosion peut en résulter.
- Ne stationnez pas sur l'unité ou ne placez aucun article dessus.
  - Cela pourrait endommager l'unité ou causer des blessures.
- Ne pas utiliser le PAA et l'unité extérieure avec les panneaux et les protections retirés.
  - Les pièces rotatives, chaudes ou à haute tension peuvent causer des blessures.
- Ne jamais insérer les doigts, les bâtonnets, etc. dans les prises d'air ou les sorties. Les enfants ne doivent pas être autorisés autour de l'unité PAA, de la chaudière ou de l'équipement extérieur.
  - Cela peut entraîner des blessures ou une décharge électrique.
- Ne pas entreposer ni utiliser d'essence ou d'autres vapeurs et liquides inflammables à proximité de cet appareil ou de tout autre appareil.
  - Des conditions explosives peuvent se produire.
- Si la chaudière décharge de l'air et ne s'arrête pas, suivez le manuel d'installation de la chaudière pour désactiver l'alimentation en gaz et électrique de la chaudière.
  - Cela peut entraîner une surchauffe.
- Ne jamais bloquer ou couvrir les prises d'entrée ou de sortie de l'appareil intérieur ou extérieur.
  - Cela peut entraîner des dommages matériels, par ex. un incendie.
- Pour éliminer ce produit, consultez un revendeur, un entrepreneur ou un technicien ayant obtenu la certification appropriée, conformément aux lois et aux codes.
  - Cela peut entraîner des blessures ou une décharge électrique.



## AVERTISSEMENT

### Directives d'installation et d'utilisation

- Lors du retrait et de la réinstallation de du PAA, consulter un revendeur, un entrepreneur ou un technicien avec les certifications requises par les lois et les codes sur l'installation appropriée pour éviter le risque de fuite d'eau, de choc électrique ou d'incendie.
  - Si le climatiseur est mal installé, cela pourrait entraîner une fuite d'eau, un choc électrique ou un incendie.
- L'appareil n'est pas destiné à être utilisé par des personnes ayant des capacités physiques, sensorielles ou mentales réduites, ou un manque d'expérience et de connaissances (y compris les enfants), à moins qu'elles n'aient été informées de la manière d'utiliser l'appareil, par une personne responsable de leur sécurité.
  - Cela peut entraîner des blessures.
- Si la chaudière à gaz n'est pas certifiée conforme aux normes de sécurité (ANSI Z21.47/CSA2. 3) par un organisme de certification tiers reconnu à l'échelle nationale (AGA, UL, CSA, ETL/Intertek, etc.), ou si la chaudière à gaz n'est pas conforme aux normes et directives de l'ACCA (Air Conditioning Contractors Association) (Code), NFPA54 (Code national du gaz combustible), NFPA70 (NEC : Code national de l'électricité) et si l'équipement n'est pas correctement installé, utilisé et entretenu conformément au code du bâtiment pour chaque district (état, comté, ville, ville, etc.), les dangers suivants peuvent se produire même si notre équipement est correctement conçu, installé et exploité.
  - Si un capteur de fuite n'est pas installé dans la pièce, il y a un risque de symptômes d'intoxification et de mort si la fuite de gaz toxique n'est pas constatée.
  - Le carburant gazeux présente une odeur, mais si vous ne le remarquez pas, il existe un risque de symptômes d'empoisonnement ou d'accident comme un incendie ou une explosion.
  - Si la sécurité de la chaudière à gaz, de la tuyauterie d'alimentation en gaz et du conduit d'évacuation s'aggrave en raison d'une ventilation inappropriée du système [la ventilation doit être conforme à la loi, à la norme ou aux lignes directrices (code)], ou en raison d'une détérioration du vieillissement ou de l'influence de l'environnement d'utilisation, il existe un risque d'empoisonnement lié au gaz de combustion ou d'allumage du gaz combustible, pouvant causer un incendie ou une explosion.



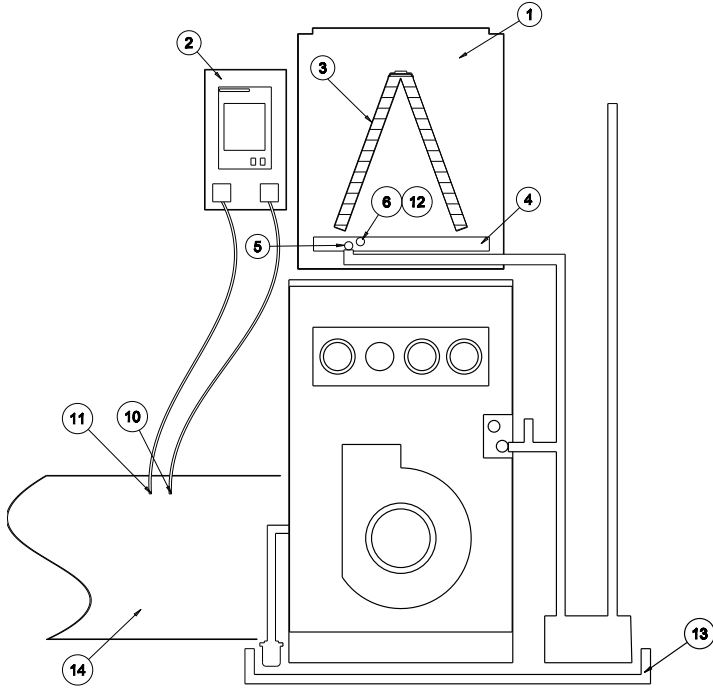
## **ATTENTION**

### **Directives de sécurité**

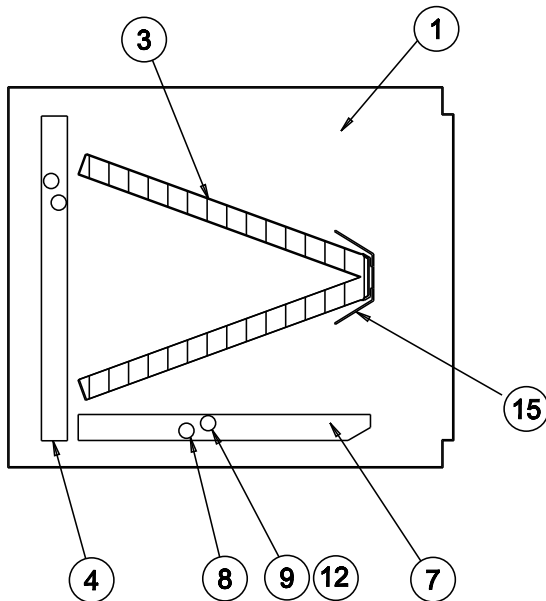
- Surveillez la température du bâtiment par temps froid.
  - Si, pour une raison quelconque, votre système CVC ne fonctionne pas, des dommages tels que des tuyaux d'eau éclatés pourraient résulter d'un manque de chauffage approprié dans l'espace.
- N'utilisez aucun objet pointu pour pousser les boutons.
  - Cela pourrait endommager le contrôleur à distance ou la boîte de commande.
- Lorsque des bruits ou des vibrations anormaux sont observés, arrêtez d'utiliser l'appareil, éteignez l'interrupteur d'alimentation et contactez votre concessionnaire, entrepreneur ou technicien ayant la certification appropriée requise par les lois et les codes.
  - Si les pièces sont desserrées, une fuite interne peut entraîner de la condensation sur la chaudière, pouvant causer des dommages matériels.

## 4. Présentation du système

### Installations verticales



### Installations horizontales



1. Armoire d'unité PAA
2. Boîte de commande
3. Échangeur de chaleur (hex)
4. Bac de récupération principal
5. Canalisation principale de bac de récupération principal
6. Canalisation secondaire du bac de récupération principal
7. Bac de récupération latéral (pour installation horizontale)
8. Canalisation principale du bac de récupération latéral (pour installation horizontale)
9. Canalisation secondaire du bac de récupération latéral (pour installation horizontale)
10. Thermistance TH1
11. ACH065 (thermostat non réglable, NAT)
12. Interrupteur à flotteur (installé sur le drain secondaire)
13. Bac de récupération auxiliaire (non inclus avec l'unité PAA)
14. Conduit d'entrée (non inclus avec l'unité PAA)
15. Plaque supérieure (pour installation horizontale)



#### NOTE




Les articles 13 et 14 sont fournis à titre de référence seulement et ne sont pas fournis par Mitsubishi Electric US, Inc.



**NOTE**

Pour régler la vitesse du ventilateur de la fournaise, consultez le manuel de la fournaise.

**Contrôleur (utilisez l'une des options suivantes)**

<p>Contrôleur à distance MA</p>	<p>Contrôleur MHK2</p>	<p>application kumo cloud®* + Interface sans fil 2 (PAC 'USWHS002 'WF '2)</p>
		

\* L'unité PAA est compatible avec la version 2.10 de l'application kumo cloud® et les versions ultérieures.

## 5. Fonctionnement

### 5.1. Points d'équilibre

L'unité PAA bascule automatiquement entre le chauffage de la pompe à chaleur et le chauffage de la chaudière en fonction des paramètres de configuration et des données opérationnelles.

L'unité prend en charge deux points de consigne de température extérieure (point d'équilibre économique et point d'équilibre de capacité) qui déterminent la méthode de chauffage la plus efficace.

#### 5.1.1. Point d'équilibre économique

Le point d'équilibre économique est la température extérieure au-dessus de laquelle il est plus efficace de chauffer avec la thermopompe et en dessous de laquelle il est plus efficace de chauffer avec la chaudière.

Le point d'équilibre économique idéal dépendra du coût du combustible fossile utilisé pour la chaudière, de l'efficacité de la chaudière, du coût de l'électricité et de l'efficacité de la thermopompe pour le chauffage en fonction de diverses températures extérieures.

Lorsque l'unité PAA est utilisée pour la première fois et que la température de l'air extérieur est supérieure au point d'équilibre économique, le kit tente d'abord de chauffer l'espace avec la thermopompe.

Sous le point d'équilibre économique, seule la chaudière est utilisée pour le chauffage. Au-dessus du point d'équilibre économique, la thermopompe ou la chaudière est utilisée pour le chauffage.

Pour configurer le point d'équilibre économique, consultez le manuel d'installation de l'unité PAA.

#### 5.1.2. Point d'équilibre de capacité

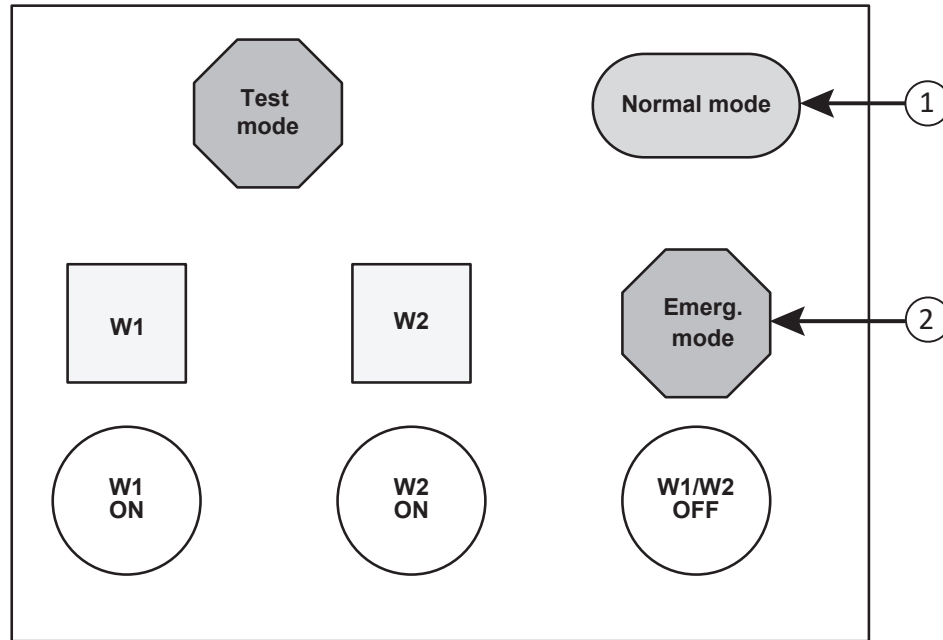
Dans les climats froids, lorsque l'unité PAA est dimensionnée pour la charge de refroidissement plutôt que pour la charge de chauffage, le kit peut ne pas avoir la capacité de chauffer l'espace en utilisant la thermopompe même à des températures supérieures au point d'équilibre économique.

Si le kit n'est pas en mesure de chauffer l'espace dans un délai d'environ 24 à 29 minutes (en raison d'une capacité de chauffage insuffisante à la température extérieure actuelle), l'unité PAA passe en chauffage avec la chaudière. À ce stade, le système a défini le point d'équilibre de capacité.

Lors d'appels de chaleur subséquents, si la température extérieure est inférieure au point d'équilibre de capacité ou au point d'équilibre économique, alors seule la chaudière est utilisée pour le chauffage. Si la température de l'air extérieur est supérieure au point d'équilibre économique et au point d'équilibre de capacité, le kit tente d'abord de chauffer l'espace avec la thermopompe.



## 5.2. Interface utilisateur de la boîte de commande



1. Mode normal (couleur de l'indicateur - vert): Lorsqu'il est allumé, cela signifie que le système fonctionne normalement.
2. Mode d'urgence (couleur de l'indicateur: rouge): Si allumé, cela signifie que le système est en mode erreur. Veuillez consulter un concessionnaire, un entrepreneur ou un technicien ayant les certifications requises par les lois et les codes.

Tous les autres indicateurs et boutons de l'interface utilisateur de la boîte de commande sont des paramètres réservés à l'installateur. Pour plus d'informations, consultez le manuel d'installation de l'unité PAA.

## 5.3. Mode de fonctionnement

Modes disponibles : Refroidir/Sécher/Fan/Chauffage

Pour sélectionner le mode de fonctionnement, consultez le manuel d'utilisation du contrôleur à distance que vous utilisez.



### NOTE

Pour les appareils extérieurs à refroidissement seulement : Le mode de chauffage utilise toujours la chaudière, au lieu de la thermopompe, pour fournir de la chaleur.

## 5.4. Fonction de redémarrage automatique

### Panneau de commande intérieur

Ce modèle est équipé de la fonction de redémarrage automatique.

Lorsque l'unité intérieure est commandée par le contrôleur à distance, le mode de fonctionnement, la température réglée et la vitesse du ventilateur sont mémorisés par le panneau de commande intérieur. La fonction de redémarrage automatique permet à l'unité PAA de redémarrer à partir des derniers paramètres de fonctionnement mémorisés (mode de fonctionnement, réglage de la température et vitesse du ventilateur).

La fonction de redémarrage automatique peut être réglée à l'aide du contrôleur à distance (mode no 01) comme suit.

Numéro de mode	Mode	Paramètres	Réglage du numéro	Numéros d'unité
01	Récupération automatique après une panne de courant	Désactiver	1	Réglez « Grp. ». pour le numéro d'unité. Ces paramètres s'appliquent à toutes les unités intérieures connectées.
		Activer (quatre minutes de temps de réserve sont nécessaires après la restauration de l'alimentation)	2	

## 6. Minuterie

Les fonctions de la minuterie sont différentes selon chaque contrôleur à distance.

Pour plus de détails sur le fonctionnement du contrôleur à distance, consultez le manuel de fonctionnement approprié inclus avec chaque contrôleur.

## 7. Entretien et nettoyage



### AVERTISSEMENT

- Il est recommandé de contrôler l'unité PAA une fois par an par un technicien qualifié.
  - Un mauvais entretien peut entraîner un gaz toxique, un incendie, une explosion, une décharge électrique ou une fuite d'eau.
- Nettoyez l'appareil seulement après l'avoir éteint et débranché l'alimentation.
  - Des procédures de nettoyage incorrectes peuvent endommager les surfaces de l'échangeur de chaleur, briser les pièces en plastique, causer une fuite d'eau ou provoquer un choc électrique.



### ATTENTION

- Utilisez un support de préparation stable. Portez une attention particulière lors du nettoyage du serpentin de boîtier (entretien et inspection).
- Nettoyez le bac de récupération périodiquement.
  - Si la poussière obstrue les tuyaux de drainage, des fuites d'eau se produiront et le système ne fonctionnera pas en mode de refroidissement.
- Pour le nettoyage, consultez un revendeur, un entrepreneur ou un technicien ayant obtenu la certification appropriée, conformément aux lois et aux codes. (Les bobines doivent être nettoyées avant le début des saisons de refroidissement ou de chauffage.)

## Accès d'entretien pour nettoyer les dalles de bobine

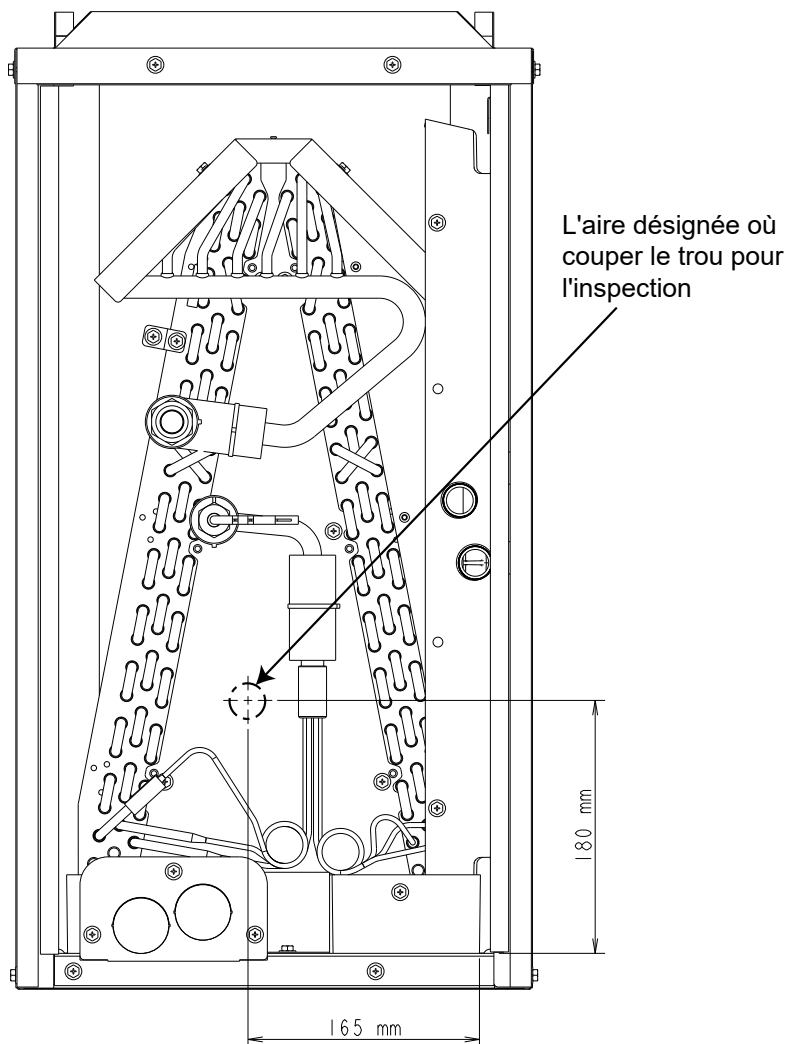
Afin d'inspecter les dalles de bobine, un trou ne peut être effectué que dans la zone désignée de la plaque delta, comme illustré ci-dessous. Assurez-vous que le trou est hermétiquement scellé après le nettoyage.



### ATTENTION

Une zone circulaire est gravée sur la plaque delta pour indiquer l'emplacement du trou dans la plaque delta sans endommager l'échangeur de chaleur. Ce trou peut être utilisé pour inspecter l'intérieur de la bobine afin de déterminer si un nettoyage est nécessaire.

Avant de redémarrer l'unité PAA, assurez-vous que ce trou est couvert et scellé avec un matériau d'étanchéité capable de résister à une température minimale de 350 F. Sinon, une fuite d'air pourrait se produire.



## 8. Dépannage

Problèmes rencontrés	Voici la solution (l'unité fonctionne normalement)
Le PAA ne chauffe pas et ne refroidit pas bien.	Nettoyez le filtre de la chaudière. (Le débit d'air est réduit lorsque le filtre est sale ou obstrué.) Vérifiez le réglage de la température et ajustez la température réglée. Assurez-vous qu'il y a beaucoup d'espace autour de l'appareil extérieur. Vérifiez si l'entrée ou la sortie d'air de l'appareil intérieur est obstruée ou si une porte ou une fenêtre est restée ouverte.
Lorsque l'unité commence à chauffer, l'appareil commence à souffler de l'air chaud au bout d'un certain temps.	L'air chaud ne souffle pas tant que l'unité intérieure n'est pas suffisamment préchauffé.
En mode Chaleur, l'unité PAA s'arrête avant que la température ambiante programmée ne soit atteinte.	Lorsque la température extérieure est basse et que l'humidité est élevée, du givre peut se former sur l'appareil extérieur. Si cela se produit, l'appareil extérieur effectue une opération de dégivrage. Le fonctionnement normal devrait reprendre au bout de 10 minutes environ.
Un bruit d'écoulement d'eau ou un sifflement occasionnel est perceptible.	Ces sons sont perceptibles lorsque le réfrigérant s'écoule dans l'unité PAA ou lorsque le débit de réfrigérant change.
Un bruit de craquement ou d'écaillage est perceptible.	Ces sons peuvent être perceptibles lorsque les pièces se frottent les unes contre les autres en raison de l'expansion et de la contraction dues aux changements de température.
Il y a une odeur désagréable dans la pièce.	L'unité intérieure aspire l'air qui contient les gaz émanant des murs, des tapis et des meubles, ainsi que les odeurs des vêtements, puis injecte à nouveau cet air dans la pièce.
Une brume ou une vapeur blanche est émise par l'unité intérieure.	La température intérieure et l'humidité peuvent être élevées au démarrage. En mode de dégivrage, le débit d'air froid peut s'écouler et ressembler à une brume.
De l'eau ou de la vapeur est émise par l'unité extérieure.	En mode Refroidissement, l'eau peut se former et couler des tuyaux et des joints de refroidissement. En mode Chaleur, de l'eau peut apparaître et s'écouler de l'échangeur de chaleur. En mode de dégivrage, l'eau sur l'échangeur de chaleur s'évapore et de la vapeur d'eau peut être émise.
Lors du redémarrage du PAA peu de temps après l'avoir arrêté, il ne fonctionne pas immédiatement.	Attendez environ 10 minutes. (L'opération s'est arrêtée pour protéger l'unité PAA).
« VEUILLEZ PATIENTER » apparaît à l'écran de la télécommande.	Les réglages initiaux sont en cours d'exécution. Attendez environ 3 minutes.

Problèmes rencontrés	Voici la solution (l'unité fonctionne normalement)
Un code d'erreur apparaît sur l'écran du contrôleur à distance.	Les dispositifs de protection ont fonctionné pour protéger le climatiseur. Ne tentez pas de réparer cet équipement par vous-même. Éteignez immédiatement l'interrupteur d'alimentation et consultez votre concessionnaire. Assurez-vous de fournir au concessionnaire le nom du modèle et les informations qui apparaissent sur l'écran du contrôleur à distance.
Pourquoi est-ce que j'obtiens un débit d'air différent lors du chauffage de la pompe à chaleur?	Un débit d'air plus élevé est généralement requis lors du chauffage ou du refroidissement avec la thermopompe par rapport à la chaudière. Pour obtenir un débit d'air plus élevé, le système utilise le signal Y (ou Y1 et Y2) pour contrôler le ventilateur de la chaudière pendant le refroidissement de la pompe à chaleur et le chauffage de la pompe à chaleur, alors qu'il utilise les signaux W1/W2 pendant le chauffage de la chaudière. Consultez le manuel d'installation de votre fournaise pour obtenir des instructions sur la configuration du débit d'air de refroidissement afin de changer le débit d'air pendant les opérations de la thermopompe (refroidissement et chauffage).
Pendant le chauffage de la pompe à chaleur, les tuyaux de mon appareil intérieur (IDU) ne chauffent pas. Qu'est-ce qui se passe?	La première fois qu'un système démarre après une panne de courant, le compresseur fonctionnera à basse vitesse pendant environ 5 à 10 minutes afin de s'assurer que l'huile est transférée à l'unité extérieure. Vous verrez la capacité augmenter beaucoup plus rapidement pendant les cycles de chauffage suivants. Chaque fois que vous éteignez le disjoncteur de la thermopompe, attendez-vous à une montée lente au cycle suivant.
Où dois-je installer le TH1?	Placez le TH1 dans un endroit où il détectera les températures de retour d'air mélangées. <b>Cependant</b> , ne placez pas TH1 : <ul style="list-style-type: none"> <li>• près d'un conduit de dérivation</li> <li>• près de la chaudière</li> </ul> <p><b>Si un emplacement optimal d'air mélangé ne peut pas être identifié, sélectionnez un emplacement dans le conduit de retour de la zone la plus grande ou la plus utilisée activement.</b></p>
Que se passe-t-il en cas de défaillance de la pompe à chaleur?	Si la pompe à chaleur faiblit ou ne réchauffe pas la maison, le système passera en <i>mode d'urgence</i> , utilisant la fournaise pour maintenir les températures intérieures minimales. Le mode d'urgence est configuré pour faire fonctionner la chaudière selon le thermostat non réglable (NAT), qui demandera de la chaleur à ou vers 60°F.

Problèmes rencontrés	Voici la solution (l'unité fonctionne normalement)
Mon système passe du mode normal au mode d'urgence à quelques secondes d'intervalle. Que dois-je faire?	Contactez le service à la clientèle de Mitsubishi Electric Trane HVAC US LLC.
Les boutons W1/W2 sur la boîte de commande ne fonctionnent pas? Pourquoi pas?	Ces boutons ne fonctionnent que lorsque le système est configuré pour fonctionner en mode Test.
Il y a deux positions « R » et deux positions « C » dans la section « À la chaudière » sur le bornier. laquelle dois-je utiliser?	Vous pouvez utiliser l'une des deux positions.
Dois-je connecter les contacts « À la chaudière » aux contacts « Au thermostat »?	Non. Veuillez suivre les instructions d'installation décrites dans le manuel d'installation de l'unité PAA.
Je vois le cycle court du système lors du chauffage avec la chaudière.	Le TH1 est peut-être monté trop près de la chaudière et vous voyez la chaleur de la chaudière causer une surchauffe. Déplacez-le plus loin dans le plénum de retour d'air, loin de la chaudière.
Comment puis-je réinitialiser le système?	<ol style="list-style-type: none"> <li>1. Éteignez la chaudière et l'unité extérieure et attendez 3 minutes.</li> <li>2. Mettez l'appareil extérieur sous tension.</li> <li>3. Mettez la chaudière sous tension.</li> </ol>



## 9. Spécifications

Article/Modèle		Petite armoire		Armoire moyenne				Grande armoire				
		PAA-A18AA1	PAA-A18BA1	PAA-A24AA1	PAA-A24BA1	PAA-A30AA1	PAA-A30BA1	PAA-A36BA1	PAA-A36CA1	PAA-A42BA1	PAA-A42CA1	
Source d'alimentation		208/230 V, monophasé, 60 Hz (S1.S2)										
Capacité de refroidissement	Btu/h	18,000	18,000	24,000	24,000	30,000	30,000	36,000	36,000	42,000	42,000	
Capacité de chauffage	Btu/h	19,000	19,000	26,000	26,000	32,000	32,000	38,000	38,000	46,000	46,000	
Tonnage		1,5	1,5	2	2	2,5	2,5	3	3	3,5	3,5	
Dimensions	Hauteur	697 [27,4]						811,6[32]				
	Largeur	368,3 [14,5]	445,0 [17,5]	368,3 [14,5]	445,0 [17,5]	368,3 [14,5]	445,0 [17,5]	445,0 [17,5]	534,6 [21]	445,0 [17,5]	534,6 [21]	
	Profondeur	543 [21,375]										
Poids net		30 [66]	34 [74]	30 [66]	35 [76]	30 [66]	35 [76]	39 [85]	46 [100]	39 [85]	46 [100]	
Ventilateur	Débit d'air*	CFM	525	525	700	700	875	875	1050	1050	1225	1225
	Pression statique interne	po. WG [Pa]	0,3 (Selon AHRI - 210/240, où il s'agit de la pression statique interne maximale autorisée pour les systèmes « bobine seulement ») 75 (Selon AHRI - 210/240, où il s'agit de la pression statique interne maximale autorisée pour les systèmes « bobine seulement »)									

\*La valeur cible du débit d'air pour le signal Y ou Y1.



### NOTE

Conditions nominales (refroidissement) à l'intérieur: 26,7° C [80° F] D.B., 19,4° C [67° F] W.B.

Conditions nominales (chauffage) à l'intérieur: 21,1° C (70° F) D.B. Extérieur: 8,3° C [47° F] D.B., 6,1° C [43° F] W.B.

La capacité indiquée est la valeur lorsqu'une unité intérieure est connectée à l'unité extérieure.

Les spécifications peuvent être modifiées sans préavis.



### NOTE

Les unités PAA doivent être installées par un concessionnaire, un entrepreneur ou un technicien ayant les certifications appropriées, comme l'exigent les lois et le code.

Pour les unités extérieures à connecter, consultez le manuel d'installation fourni avec les unités.

# 1. Advertencia

- Este producto solo debe ser instalado, reparado, mantenido, trasladado, etc. por personal con la capacitación, las calificaciones y las certificaciones adecuadas según las exigencias de las leyes y los códigos.
- La instalación, reparación, servicio, traslado, etc. por parte de personas sin la capacitación, calificaciones y certificaciones adecuadas según lo requerido por las leyes y los códigos, o el incumplimiento de todas las precauciones e instrucciones de seguridad de este manual puede provocar lesiones corporales graves o la muerte.
- Asegúrese de leer este manual detenidamente y siga todas las advertencias, precauciones e instrucciones; si no lo hace, se producirán descargas eléctricas, daños a la propiedad, daños al equipo, asfixia, incendio, humo, explosiones y envenenamiento.

## 2. Exención de responsabilidad

Los datos y la información presentados en este documento se basan en pruebas e información, que consideramos confiables. Este documento se proporciona solo con fines informativos y no constituye una garantía, expresa o implícita, incluida cualquier garantía de comerciabilidad o idoneidad. Las instrucciones, advertencias y precauciones de este manual de operación no son opcionales y deben seguirse para garantizar el correcto funcionamiento del producto y evitar lesiones o daños a la propiedad. El fabricante no será responsable de ningún daño, estructural o de otro tipo, debido a la falta de cumplimiento de los requisitos de operación incluidos en este manual.

La información técnica y de aplicación del presente se basa en el estado actual de nuestro mejor conocimiento científico y práctico. Dado que la información aquí contenida es de naturaleza general, no se puede hacer ninguna suposición en cuanto a la idoneidad de un producto para un uso o aplicación en particular y no se otorga ninguna garantía en cuanto a su exactitud, confiabilidad o integridad, ya sea expresa o implícita, que no sean las requeridas por ley. El usuario es responsable de verificar la idoneidad de los productos para su uso previsto. Las instrucciones y la información sobre nuestros productos se actualizan regularmente (visite [mylinkdrive.com](http://mylinkdrive.com)); es responsabilidad del usuario obtener y confirmar la versión más reciente. La información contenida en este manual puede cambiar sin previo aviso.

### 3. Precauciones de seguridad

- Antes de operar la unidad, asegúrese de leer esta sección en su totalidad.
- Asegúrese de tomar todas las precauciones.
- Lea detenidamente las etiquetas que están adheridas a la unidad principal.

Símbolos utilizados en el texto



#### AVISO

Describe las precauciones que se deben tener para evitar el peligro de lesiones o la muerte del usuario.



#### ATENCIÓN

Describe las precauciones que se deben tener para evitar daños a la unidad.



#### AVISO

##### Riesgos relacionados con la instalación o reparación de la unidad PAA

- Prohíba que cualquier persona sin las calificaciones adecuadas realice reparaciones o instalaciones. Si es necesario reparar o instalar la unidad, consulte a un distribuidor, contratista o técnico que cuente con la certificación adecuada según lo requerido por las leyes y los códigos.
  - Las reparaciones o la instalación inadecuadas por parte del usuario pueden provocar fugas de agua, descargas eléctricas o incendios.
- Si instala la unidad PAA de manera incorrecta (bandeja de drenaje de este producto) u olvida instalar el interruptor flotante, el agua condensada del intercambiador de calor PAA se desviará de la ruta especificada y puede hacer que el agua se filtre hacia el intercambiador de calor del calentador de gas. Con el tiempo, debido a la corrosión, esto puede causar fugas de gas, aceite y agua del calentador. Además, puede provocar envenenamiento, incendio, explosión, fugas de agua y daños corporales y a la propiedad.
- Cuando la unidad PAA (este producto) es cuelga del techo en un garaje o un área ocupada, el producto puede caer debido a la fuerza insuficiente de la suspensión o el soporte, o al deterioro con el tiempo, etc., causando daños corporales y daños a la propiedad. En algunos casos, puede provocar la muerte.

**AVISO****Riesgos eléctricos**

- Haga que todos los trabajos eléctricos sean realizados por un electricista debidamente calificado en el estado donde se realiza el trabajo eléctrico, de acuerdo con el “Código Eléctrico Nacional” y los códigos eléctricos locales, las “Normas sobre cables interiores” y las instrucciones proporcionadas en el manual de instalación de la unidad PAA. Siempre use un disyuntor exclusivo.
  - Si la capacidad de la fuente de alimentación es inadecuada o el trabajo eléctrico se realiza de manera incorrecta, se pueden producir descargas eléctricas e incendios.
- Mantenga los componentes eléctricos lejos del agua.
  - Podría provocar descargas eléctricas, incendios o humo.
- Lea detenidamente los capítulos "Selección de un sitio de instalación" y "Cableado eléctrico" del manual de instalación de PAA antes de operar el equipo. No opere el calentador, la unidad PAA ni la unidad exterior sin el panel o la protección. Pueden producirse lesiones si toca el ventilador giratorio del calentador o la unidad exterior, piezas de alta temperatura como compresores y tuberías, o piezas de alto voltaje como bloques de terminales.
- No salpique agua sobre la unidad y no toque la unidad con las manos mojadas.
  - Puede producirse una descarga eléctrica.
- Si el cable de alimentación está dañado, debe ser reemplazado por el fabricante, el personal de servicio o una persona autorizada.
  - Esto puede provocar una descarga eléctrica o un incendio.

**AVISO****Riesgos de fuga de refrigerante**

- Cuando la válvula de cierre de la unidad exterior se deja cerrada después de la instalación/servicio, o cuando la válvula de cierre de la unidad exterior se cierra debido a una parada en la operación, el volumen del refrigerante líquido en la tubería de refrigerante se expande debido al funcionamiento térmico en la caldera de gas, lo que provoca la ruptura de la bobina o la tubería de refrigerante.
- En caso de que la fuga de refrigerante ocasione que se exceda el límite de seguridad, podrían producirse peligros debido a la falta de oxígeno en la habitación. Si se detecta un olor, comuníquese con un distribuidor, contratista o técnico con respecto a las medidas adecuadas a tomar para evitar que se exceda el límite de seguridad.
  - Si el gas refrigerante entra en contacto con una llama, se liberarán gases venenosos. Cuando se detecte un olor, comuníquese con un distribuidor, contratista o técnico con respecto a las medidas adecuadas a tomar para evitar que se exceda el límite de seguridad.
- Nunca use una llama abierta para detectar fugas de refrigerante. Utilice un sensor de prueba de fugas u otros métodos aprobados para la prueba de fugas.
  - Pueden producirse condiciones explosivas.



## AVISO

### Riesgos de fuga de combustible

- El combustible y el gas de combustión pueden fluir a la habitación si el conducto de escape tiene fugas, hay un espacio debido a la fijación insuficiente de la pieza de conexión o si se descuida el mantenimiento regular. Como resultado, pueden ocurrir peligros fatales como envenenamiento y explosión por incendio, por lo que se recomienda realizar un mantenimiento regular para verificar lo siguiente:
  - Conductos agrietados
  - Conductos obstruidos
  - Capacidad de escape insuficiente o detención anormal del ventilador de escape del calentador de gas
  - Fuga de gas debido a una falla del intercambiador de calor del calentador de gas (lo que incluye corrosión debido a un entorno de la instalación inadecuado)
  - Combustión incompleta debido a una falla en el equipo del calentador de gas (mal funcionamiento/falla de piezas\*)
    - \* Piezas se refiere a tuberías, válvulas, cableado eléctrico, partes eléctricas/electrónicas, sensores, disyuntores, etc.
  - Cortocircuito o falla de la conexión a tierra debido a ignición, seguimiento o aislamiento insuficiente de las piezas del calentador de gas
  - Daños al cableado interno y externo del calentador de gas
  - Deterioro de la resistencia al calor, potencia, resistencia a la corrosión, aislamiento, etc. de los componentes periféricos del calentador de gas
  - Avería del circuito de protección del calentador de gas
  - Componentes eléctricos para interferencia de ruido electromagnético debido al uso normal con el tiempo, falla de piezas y/o instalación de dispositivos eléctricos cercanos
  - Confirmación inadecuada de los productos retirados del mercado en relación al año de diseño/fabricación del calentador de gas
  - Mantener un estado de instalación anormal al pasar por alto un error de instalación del calentador de gas o una etiqueta roja
- Si nuestro equipo no se instala, utiliza o mantiene como se describe en el manual de instalación/operación de la unidad PAA, pueden ocurrir los siguientes problemas. En este caso, detenga la operación de inmediato apagando la energía, etc., y pida al distribuidor o contratista que la inspeccione. De lo contrario, las fugas de gas pueden causar envenenamiento, incendio, explosiones, fugas de agua, etc., lo que puede causar daños corporales graves y daños a la propiedad.
  - Si la instalación o el entorno operativo están fuera del rango de garantía, la caja de control puede funcionar mal y las funciones de protección de la caldera de gas también pueden fallar y desactivarse. El efecto del calor excesivo generado por la caldera de gas puede causar grietas en la sección de la bobina, lo que puede provocar fugas de refrigerante y aceite. Además, envenenamiento, incendios y explosiones pueden ocurrir a partir de esto, lo cual puede causar daños corporales y a la propiedad.
- Qué hacer si huele gas:
  - No intente encender ningún aparato.
  - No toque ningún interruptor eléctrico.
  - No use ningún teléfono en su edificio. Llame de inmediato a su proveedor de gas desde una ubicación vecina.

- Siga las instrucciones del proveedor de gas.
- Si no puede comunicarse con su proveedor de gas, llame al departamento de bomberos.



## AVISO

### Pautas de seguridad

- No toque las aletas del intercambiador de calor.
  - La manipulación incorrecta puede provocar lesiones.
- Cuando limpie el intercambiador de calor y la bandeja de drenaje, asegúrese de que no se derrame agua sobre las piezas del calentador, el aislamiento de la unidad PAA o el aislamiento del conducto de aire.
  - No hacerlo puede causar corrosión en el intercambiador de calor y contribuir al envejecimiento del aislamiento.
- No reconstruya ni cambie la configuración de los dispositivos de protección.
  - Si el interruptor de presión, el interruptor térmico, el interruptor flotante u otros dispositivos de protección están en cortocircuito y son operados a la fuerza, o si se utilizan piezas distintas de las especificadas por Mitsubishi Electric, se pueden producir incendios o explosiones.
- No se pare ni coloque ningún elemento sobre la unidad.
  - Esto puede causar daños a la unidad o lesiones.
- No opere la unidad PAA ni la unidad exterior sin los paneles y las protecciones.
  - Las piezas giratorias, calientes o de alto voltaje pueden causar lesiones.
- Nunca inserte los dedos, varillas, etc. en las entradas o salidas. No se debe permitir a los niños estar cerca de la unidad PAA, el calentador o el equipo de la unidad exterior.
  - Esto puede provocar lesiones o descargas eléctricas.
- No almacene ni use gasolina u otros vapores y líquidos inflamables cerca de este u otros aparatos.
  - Pueden producirse condiciones explosivas.
- Si el calentador descarga aire y no se apaga, siga el manual de instalación del calentador para desactivar el suministro eléctrico y de gas al calentador.
  - Esto puede provocar un sobrecalentamiento.
- Nunca bloquee ni cubra las entradas o salidas de la unidad interior o exterior.
  - Esto puede ocasionar daños a la propiedad, como incendios.
- Para desechar este producto, consulte a un distribuidor, contratista o técnico con la certificación adecuada según lo requerido por las leyes y los códigos.
  - Esto puede provocar lesiones o descargas eléctricas.



## AVISO

### Pautas de instalación y operación

- Al retirar y reinstalar la unidad PAA, consulte a un distribuidor, contratista o técnico certificado según las exigencias de las leyes y códigos sobre la instalación adecuada, a fin de evitar el riesgo de fugas de agua, descargas eléctricas o incendios.
  - Si el aire acondicionado no está correctamente instalado, se pueden producir fugas de agua, descargas eléctricas o incendios.
- El aparato no está diseñado para ser utilizado por personas con capacidades físicas, sensoriales o mentales disminuidas, o con falta de experiencia y conocimiento (incluidos los niños), a menos que una persona responsable por su seguridad las supervise o haya instruido sobre el uso del aparato.
  - Esto puede provocar lesiones.
- Si el calentador de gas no está certificado según las normas de seguridad (ANSI Z21.47/CSA2.3) por una organización de certificación externa reconocida a nivel nacional (AGA, UL, CSA, ETL/Intertek, etc.), o si el calentador de gas no cumple con las Normas y pautas (Código) de la ACCA (Asociación de Contratistas de Aire Acondicionado), NFPA54 (Código Nacional de Gas Combustible), NFPA70 (NEC: Código Eléctrico Nacional), y si el equipo no se instala, utiliza y mantiene correctamente de acuerdo con el código de construcción de cada distrito (estatal, condado, ciudad, pueblo, etc.), pueden ocurrir los siguientes peligros, incluso a pesar del correcto diseño, instalación y operación del equipo.
  - Si no se instala un sensor de fugas en la habitación, existe el riesgo de que se produzcan síntomas de intoxicación y la muerte sin que se haya notado la presencia de una fuga de gas tóxico.
  - El combustible gaseoso tiene olor, pero si no lo nota, existe el riesgo de que pueda causar síntomas de intoxicación o un accidente como un incendio o una explosión.
  - Si la seguridad del calentador de gas, las tuberías de suministro de gas y el conducto de escape se ve disminuida debido a una ventilación inadecuada del sistema [la ventilación debe realizarse de acuerdo con las leyes, los estándares o las pautas (código)], o debido al deterioro por envejecimiento o a la influencia del entorno en el que se utiliza, existe el riesgo de que se produzcan síntomas de intoxicación debido al gas de combustión o el encendido del gas combustible, que pueda causar un incendio o una explosión.





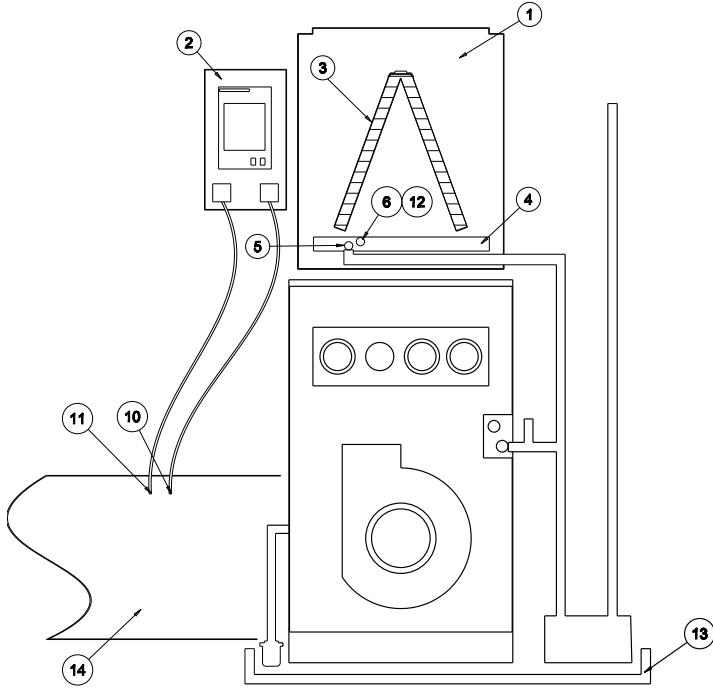
## **ATENCIÓN**

### **Pautas de seguridad**

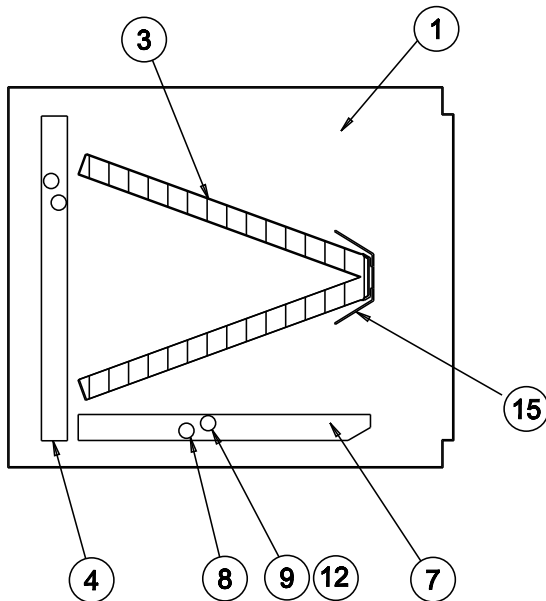
- Monitoree la temperatura del edificio durante los períodos de clima frío.
  - Si por alguna razón su sistema de climatización no funciona, podrían producirse daños como la rotura de tuberías de agua por el calefaccionado deficiente del espacio.
- No use ningún objeto filoso para presionar los botones.
  - Esto puede dañar el control remoto o la caja de control.
- Si se advierten ruidos o vibración anormal, detenga el funcionamiento, apague el interruptor de alimentación y comuníquese con su distribuidor, contratista o técnico que cuente con la certificación adecuada según lo requerido por las leyes y los códigos.
  - Si hay piezas sueltas, una fuga interna puede provocar condensación en el calentador, lo que puede ocasionar daños a la propiedad.

## 4. Introducción al sistema

### Instalaciones verticales



### Instalaciones horizontales



1. Gabinete de la unidad PAA
2. Caja de control
3. Intercambiador de calor (hex)
4. Bandeja de drenaje principal
5. Drenaje principal de la bandeja de drenaje principal
6. Drenaje secundario de la bandeja de drenaje principal
7. Bandeja de drenaje lateral (para instalación horizontal)
8. Drenaje principal de la bandeja de drenaje lateral (para instalación horizontal)
9. Drenaje secundario de la bandeja de drenaje lateral (para instalación horizontal)
10. Termistor TH1
11. ACH065 (termostato no ajustable, NAT)
12. Interruptor flotante (instalado en el drenaje secundario)
13. Bandeja de drenaje auxiliar (no incluida con la unidad PAA)
14. Conducto de entrada (no incluido con la unidad PAA)
15. Placa superior (para instalación horizontal)



#### NOTA




Los artículos 13 y 14 son solo para referencia y no son proporcionados por Mitsubishi Electric US, Inc.



**NOTA**

Para ajustar la velocidad del soplador de la caldera, consulte el manual de la caldera.

**Controlador (utilice cualquiera de las siguientes opciones)**

Controlador remoto MA	Controlador MHK2	aplicación kumo cloud®* + Wireless Interface 2 (PAC-USWHS002-WF-2)
		

\* La unidad PAA es compatible con la aplicación kumo cloud® versión 2.10 y superior.

## 5. Operación

### 5.1. Puntos de equilibrio

La unidad PAA cambia automáticamente entre la calefacción de la bomba de calor y la calefacción del calentador en función de los parámetros de configuración y los datos operativos.

La unidad admite dos puntos de ajuste de la temperatura exterior (punto de equilibrio económico y punto de equilibrio de capacidad) que determinan el método de calefacción más eficiente.

#### 5.1.1. Punto de equilibrio económico

El punto de equilibrio económico es la temperatura exterior por encima de la cual es más eficiente calentar con la bomba de calor y por debajo de la cual es más eficiente calentar con el calentador.

El punto de equilibrio económico ideal dependerá del costo del combustible fósil que se utiliza para el calentador, la eficiencia del calentador, el costo de la electricidad y la eficiencia de la bomba de calor para la calefacción en función de diversas temperaturas exteriores.

Cuando se utiliza por primera vez la unidad PAA y la temperatura del aire exterior está por encima del punto de equilibrio económico, el kit primero intenta calentar el espacio con la bomba de calor.

Por debajo del punto de equilibrio económico, solo se utiliza el calentador para la calefacción. Por encima del punto de equilibrio económico, se utiliza la bomba de calor o el calentador para la calefacción.

Para configurar el punto de equilibrio económico, consulte el manual de instalación de la unidad PAA.

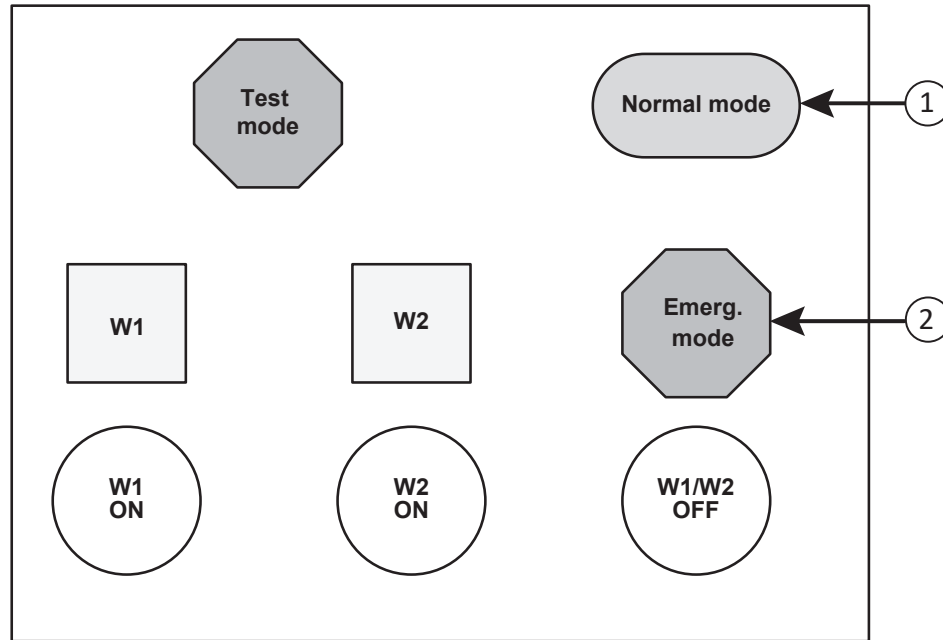
#### 5.1.2. Punto de equilibrio de capacidad

En climas fríos, cuando la unidad PAA está dimensionada para la carga de enfriamiento en lugar de la carga de calefacción, es posible que el kit no tenga la capacidad de calentar el espacio utilizando la bomba de calor incluso a temperaturas por encima del punto de equilibrio económico.

Si el kit no puede calentar el espacio en aproximadamente 24 a 29 minutos (debido a una capacidad de calefacción insuficiente a la temperatura exterior actual), la unidad PAA pasa a calentar con el calentador. En este punto, el sistema ha establecido el punto de equilibrio de capacidad.

Durante las demandas posteriores de calor, si la temperatura exterior está por debajo del punto de equilibrio de capacidad o del punto de equilibrio económico, solo se utiliza el calentador para la calefacción. Si la temperatura del aire exterior está por encima del punto de equilibrio de capacidad y del punto de equilibrio económico, entonces la bomba de calor intenta calentar el espacio primero.

## 5.2. Interfaz de usuario de la caja de control



1. Modo normal (color de indicador verde): Cuando se ilumina, significa que el sistema funciona normalmente.
2. Modo de emergencia (color del indicador: rojo): Si está iluminado, significa que el sistema está en modo de error. Comuníquese con un distribuidor, contratista o técnico que cuente con las certificaciones requeridas por las leyes y los códigos.

Todos los demás indicadores y botones de la interfaz de usuario de la caja de control son ajustes solo para el instalador. Para obtener más información, consulte el manual de instalación de la unidad PAA.

## 5.3. Modo de operación

Modos disponibles: Enfriamiento/seco/ventilador/calefacción

Para seleccionar el modo de operación, consulte el manual de operación del control remoto que está utilizando.



### NOTA

Para las unidades exteriores únicamente de enfriamiento: el modo Calor siempre utiliza el calentador, en lugar de la bomba de calor, para proporcionar calor.

## 5.4. Función de reinicio automático

### Placa de control para interiores

Este modelo está equipado con la función de reinicio automático.

Cuando la unidad interior se controla con el controlador remoto, la placa del controlador interior memoriza el modo de operación, la temperatura configurada y la velocidad del ventilador. La función de reinicio automático permite que la unidad PAA se reinicie siempre desde los últimos parámetros de funcionamiento memorizados (modo de funcionamiento, temperatura configurada y velocidad del ventilador).

La función de reinicio automático se puede configurar utilizando el controlador remoto (N.º de modo: 01) de la siguiente manera.

N.º de modo	Modo	Configuración	N.o de configuración	Números de unidad
01	Recuperación automática después de un corte de energía	Desactivar	1	Establecer "Grp". para el número de unidad. Esta configuración se aplica a todas las unidades interiores conectadas.
		Habilitar (se requieren cuatro minutos de tiempo de espera después de la restauración de la energía)	2	

## 6. Temporizador

Las funciones del temporizador son diferentes según cada control remoto.

Para obtener detalles sobre cómo operar el control remoto, consulte el manual de operación correspondiente incluido con cada controlador.

## 7. Cuidado y limpieza



### AVISO

- Se recomienda que un técnico de servicio calificado inspeccione la unidad PAA una vez al año.
  - El mantenimiento inadecuado puede provocar gases tóxicos, incendios, explosiones, descargas eléctricas o fugas de agua.
- Limpie la unidad solo después de apagarla y desconectarla de la fuente de alimentación.
  - Los procedimientos de limpieza incorrectos pueden dañar las superficies del intercambiador de calor, romper las piezas de plástico, causar fugas de agua o descargas eléctricas.



### ATENCIÓN

- Use un soporte de preparación estable. Preste especial atención al limpiar la bobina encapsulada (mantenimiento e inspección).
- Limpie la bandeja de drenaje periódicamente.
  - Si el polvo obstruye las tuberías de drenaje, se producirán fugas de agua y el sistema no funcionará en el modo Enfriamiento.
- Para la limpieza, comuníquese con un distribuidor, contratista o técnico que cuente con la certificación adecuada según lo requerido por las leyes y los códigos. (Las bobinas deben limpiarse antes de que comiencen las estaciones de enfriamiento o calefacción).



### Acceso de mantenimiento para limpiar aletas de bobina

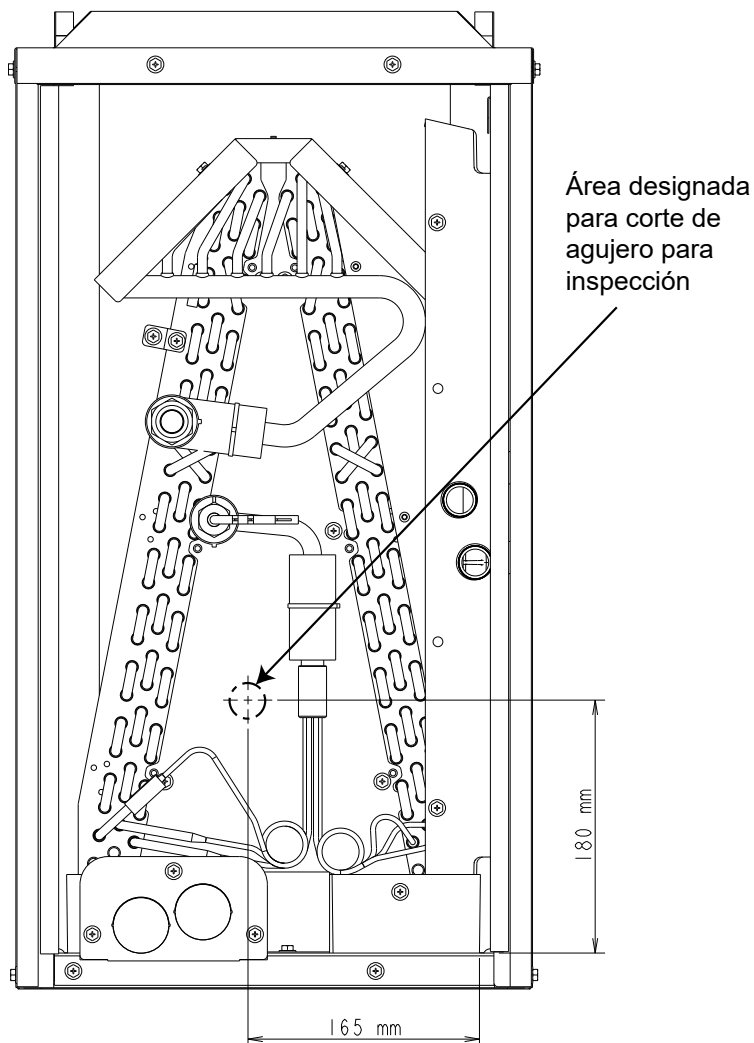
Para inspeccionar las aletas de bobina, se puede cortar un orificio solo en el área designada de la placa delta, como se muestra a continuación. Asegúrese de que el orificio se selle herméticamente después de la limpieza.



#### ATENCIÓN

Se graba un área circular en la placa delta para indicar dónde se puede hacer un orificio en la placa sin dañar el intercambiador de calor. Este orificio se puede utilizar para inspeccionar el interior de la bobina para determinar si se requiere una limpieza.

Antes de reiniciar la unidad PAA, asegúrese de que este orificio se cubra y selle con un material de sellado que pueda soportar una temperatura mínima de 350° F. De lo contrario, puede producirse una fuga de aire.



## 8. Solución de problemas

Problema actual	Solución (la unidad funciona con normalidad)
La unidad PAA no calienta ni enfría bien.	<p>Limpie el filtro del calentador. (El flujo de aire se reduce cuando el filtro está sucio u obstruido).</p> <p>Compruebe el ajuste de temperatura y regule la temperatura establecida.</p> <p>Asegúrese de que haya mucho espacio alrededor de la unidad exterior. Compruebe si la entrada o salida de aire de la unidad interior está bloqueada, o si se ha dejado abierta una puerta o ventana.</p>
Cuando la unidad comienza a calentarse, lleva un tiempo que la unidad comience a expulsar aire caliente.	No se expulsa aire caliente hasta que la unidad interior se haya calentado lo suficiente.
Durante el modo Calor, la unidad PAA se detiene antes de alcanzar la temperatura ambiente configurada.	<p>Cuando la temperatura exterior es baja y la humedad es alta, puede formarse escarcha en la unidad exterior. Si esto ocurre, la unidad exterior realiza una operación de descongelación. La operación normal debe reanudarse después de aproximadamente 10 minutos.</p>
Se escucha un sonido de agua que fluye o un ocasional silbido.	Estos sonidos pueden oírse cuando el refrigerante fluye dentro de la unidad PAA o cuando el flujo de refrigerante cambia.
Se escucha un crujido o chirrido.	Estos sonidos pueden oírse cuando las piezas se rozan entre sí debido a la expansión y contracción causada por cambios de temperatura.
La habitación tiene un olor desagradable.	La unidad interior extrae el aire que contiene los gases producidos por las paredes, alfombras y muebles, así como los olores atrapados en la ropa, y luego sopla el aire de regreso a la habitación.
La unidad interior emite bruma o vapor blanco.	<p>Si la temperatura interior y la humedad son altas, esta condición puede ocurrir cuando se inicia la operación.</p> <p>Durante el modo de descongelación, puede haber una purga de aire frío y parecer una neblina.</p>
La unidad exterior emite agua o vapor.	<p>Durante el modo Enfriamiento, puede formarse agua y gotear de las tuberías y juntas de enfriamiento.</p> <p>Durante el modo Calor, puede formarse agua y gotear desde el intercambiador de calor.</p> <p>Durante el modo Descongelamiento, el agua en el intercambiador de calor se evapora y se puede emitir vapor de agua.</p>
Al reiniciar la unidad PAA poco después de detenerla, no funciona de inmediato.	Espere aproximadamente 10 minutos. (El funcionamiento se ha detenido para proteger la unidad PAA).

Problema actual	Solución (la unidad funciona con normalidad)
Aparece "PLEASE WAIT" [ESPERE] en la pantalla del controlador remoto.	Se están realizando los ajustes iniciales. Espere aproximadamente 3 minutos.
Aparece un código de error en la pantalla del control remoto.	<p>Los dispositivos de protección se han activado para proteger el aire acondicionado.</p> <p>No intente reparar este equipo por su cuenta. Apague el interruptor de alimentación de inmediato y consulte a su distribuidor. Asegúrese de proporcionar al distribuidor el nombre del modelo y la información que apareció en la pantalla del control remoto.</p>
¿Por qué obtengo un flujo de aire diferente al hacer funcionar el calor de la bomba de calor en comparación con el calor del calentador?	<p>Generalmente se requiere un flujo de aire más alto cuando se calienta o enfría con la bomba de calor en comparación con el calentador. Para obtener ese flujo de aire más alto, el sistema utiliza la señal Y (o Y1 y Y2) para controlar el ventilador del calentador durante el enfriamiento de la bomba de calor y la calefacción de la bomba de calor, mientras que utiliza señales W1/W2 durante la calefacción del calentador. Consulte el manual de instalación de su calentador para obtener instrucciones sobre cómo configurar el flujo de aire de enfriamiento para cambiar el flujo de aire durante las operaciones de la bomba de calor (tanto de enfriamiento como de calefacción).</p>
Durante la calefacción de la bomba de calor, las tuberías de mi unidad interior (indoor unit, IDU) no se calientan. ¿Qué está pasando?	<p>La primera vez que un sistema se enciende después de un corte de energía, el compresor funcionará a baja velocidad durante aproximadamente 5 a 10 minutos para garantizar que el aceite vuelva a la unidad exterior. Verá que la capacidad aumenta mucho más rápidamente durante los ciclos de calefacción posteriores. Cada vez que apague el interruptor en la bomba de calor, espere un aumento lento en el siguiente ciclo.</p>
¿Dónde debo instalar el TH1?	<p>Coloque el TH1 en un área donde detecte las temperaturas del aire de retorno mezclado. <b>Sin embargo</b>, no coloque TH1:</p> <ul style="list-style-type: none"> <li>• cerca de un conducto de derivación</li> <li>• cerca del calentador</li> </ul> <p><b>Si no se puede identificar una ubicación óptima de aire mezclado, seleccione una ubicación en el conducto de retorno de la zona más grande o más activamente utilizada.</b></p>
¿Qué sucede en caso de una falla de la bomba de calor?	<p>Si la bomba de calor pierde energía o no calienta el hogar, el sistema pasará al <i>modo de emergencia</i>, utilizando el horno para mantener las temperaturas interiores mínimas. El modo de emergencia está configurado para hacer funcionar el calentador de acuerdo con el termostato no ajustable (NAT), que requerirá calor a 60 °F o alrededor de esa temperatura.</p>

Problema actual	Solución (la unidad funciona con normalidad)
Mi sistema intercala modo normal y modo de emergencia cada pocos segundos. ¿Qué debo hacer?	Comuníquese con el departamento de Atención al cliente de Mitsubishi Electric Trane HVAC US LLC.
Los botones W1/W2 de la caja de control no funcionan. ¿Por qué no?	Estos botones solo funcionan cuando el sistema está configurado para funcionar en modo de prueba.
Hay dos posiciones “R” y dos “C” en la sección “Al calentador” en el bloque de terminales. ¿Cuál de ellas utilizo?	Puede utilizar cualquiera de las dos posiciones.
¿Necesito conectar los contactos “Al calentador” con los contactos “Al termostato”?	No. Siga las instrucciones de instalación descritas en el manual de instalación de la unidad PAA.
Veo que el sistema ejecuta el ciclo corto al calentar con el calentador.	El TH1 puede estar montado demasiado cerca del calentador y se ve que el calor del calentador causa una condición de sobrettemperatura. Muévelo más abajo por la cámara de aire de retorno, lejos del calentador.
¿Cómo restablezco el sistema?	<ol style="list-style-type: none"> <li>1. Apague el calentador y la unidad exterior y espere 3 minutos.</li> <li>2. Encienda la unidad exterior.</li> <li>3. Encienda el calentador.</li> </ol>

## 9. Especificaciones

Artículo / modelo		Gabinete pequeño		Gabinete mediano				Gabinete grande			
		PAA-A18AA1	PAA-A18BA1	PAA-A24AA1	PAA-A24BA1	PAA-A30AA1	PAA-A30BA1	PAA-A36BA1	PAA-A36CA1	PAA-A42BA1	PAA-A42CA1
Fuente de alimentación		208/230 V, monofásico, 60Hz (S1, S2)									
Capacidad de enfriamiento	Btu/h	18,000	18,000	24,000	24,000	30,000	30,000	36,000	36,000	42,000	42,000
Capacidad de calentamiento	Btu/h	19,000	19,000	26,000	26,000	32,000	32,000	38,000	38,000	46,000	46,000
Tonelaje		1,5	1,5	2	2	2,5	2,5	3	3	3,5	3,5
Dimensiones	Altura	697[27,4]						811,6[32]			
	Ancho	368,3 [14,5]	445,0 [17,5]	368,3 [14,5]	445,0 [17,5]	368,3 [14,5]	445,0 [17,5]	445,0 [17,5]	534,6 [21]	445,0 [17,5]	534,6 [21]
	Profundidad	543 [21,375]									
Peso neto		30 [66]	34 [74]	30 [66]	35 [76]	30 [66]	35 [76]	39 [85]	46 [100]	39 [85]	46 [100]
Ventilador	Flujo de aire tasa *	525	525	700	700	875	875	1050	1050	1225	1225
	Presión estática interna	0,3 (Según AHRI - 210/240, donde esta es la presión estática interna máxima permitida para los sistemas de "Solo bobina")									
		75 (Según AHRI - 210/240, donde esta es la presión estática interna máxima permitida para los sistemas de "Solo bobina")									

\* Tasa de flujo de aire objetivo para señales Y o Y1.



### NOTA

Condiciones nominales (enfriamiento) en interiores: 80° F [26.7° C] D.B., 67° F [19.4° C] W.B.

Condiciones nominales (calefacción) en interiores: 21,1° C (70° F) de D.B. En exteriores: 47° F [8,3° C] D.B., 43° F [6,1° C] W.B.

La capacidad indicada es el valor cuando se conecta una unidad interior a la unidad exterior.

Las especificaciones están sujetas a cambios sin previo aviso.



### NOTA

Las unidades PAA deben ser instaladas por un distribuidor, contratista o técnico que cuente con las certificaciones adecuadas según lo requerido por las leyes y el código.

Para conectar las unidades exteriores, consulte el manual de instalación que viene con las unidades.

This product is designed and intended for use in the residential and commercial environment.

Please be sure to put the contact address/telephone number on this manual before handing it to the customer.



Manufactured for:  
**MITSUBISHI ELECTRIC US, INC.**

[www.mitsubishielectric-usa.com](http://www.mitsubishielectric-usa.com)

Toll Free: 800-433-4822