

PAA-A24BA1 & PUY-A24NHA7
intelli-HEAT™ CASED COIL, 17.5" WIDTH, 24,000 BTU/H
24,000 BTU/H COOLING ONLY OUTDOOR



Job Name:

System Reference:

Date:

Indoor Unit.....PAA-A24BA1

Outdoor Unit.....PUY-A24NHA7



INDOOR UNIT FEATURES

- Compatible with any thermostatically controlled (24VAC) natural gas or LP furnace*
- Intelligent Comfort Control Function (automatic switchover between heat pump and furnace*)
- Includes cased coil and control box
- Available in 14.5", 17.5", and 21" widths
- Optimized heat exchanger design for increased efficiency and longevity
- Flared piping connection
- High quality drain pan material with high heat tolerance and low moisture absorption
- Multi-position installation: horizontal (left or right), vertical (up or down)
 - Drain pans for all multi-position configurations are included for easy installation
- Optional humidifier control and ERV control
- Oxygen free copper coils
- Multiple control options available:
 - kumo cloud® smart device app for remote access
 - Third-party interface options
 - Wired or wireless controllers

*Mitsubishi Electric air conditioner and heat pump systems should only be connected with ANSI-Z21.47/CSA2.3 certified furnaces.

OUTDOOR UNIT FEATURES

- Variable speed INVERTER-driven compressor
- Pre-charged with refrigerant volume for piping length up to 70 ft
- Low ambient cooling down to -40°F providing 100% capacity (with wind baffles)
- 24-hour continuous operation (cooling mode)
- High pressure protection
- Fast restart
- Superior energy and operational efficiency
- Seacoast protection*
 - External Outer Panel: Phosphate coating + Acrylic-Enamel coating
 - Fan Motor Support: Epoxy resin coating (at edge face)
 - Separator Assembly Valve Bed: Epoxy resin coating (at edge face)
 - Blue Fin treatment is an anti-corrosion treatment that is applied to the Heat exchanger coil to protect it against airborne contaminants.
 - Heat exchanger coil and base panel rated for 2,000 hours in accordance with ASTM B117 testing

*Seacoast protection standard from 2022 production

SPECIFICATIONS: PAA-A24BA1 & PUY-A24NHA7

| | | | |
|------------------------------------------|------------------------------------------------------------|--------------------------------------------|----------------------------------------------------------|
| Cooling at 95°F ¹ | Maximum Capacity | BTU/H | 24,000 |
| | Rated Capacity | BTU/H | 24,000 |
| | Minimum Capacity | BTU/H | 10,600 |
| | Maximum Power Input | W | 1,920 |
| | Rated Power Input | W | 1,920 |
| | Moisture Removal | Pints/h | 5.0 |
| | Sensible Heat Factor | | 0.77 |
| | Power Factor [208V / 230V] | % | 89.5 / 89.5 |
| Efficiency | SEER SEER2 | | 17.0 15.3 |
| | EER ¹ EER2 ¹ | | 12.5 11.7 |
| Electrical | Voltage, Phase, Frequency | | 208/230, 1, 60 |
| | Guaranteed Voltage Range | V AC | 198 - 253 |
| | Voltage: Indoor - Outdoor, S1-S2 | V AC | 208/230 |
| | Voltage: Indoor - Outdoor, S2-S3 | V DC | 24 |
| | Short-circuit Current Rating [SCCR] | kA | 5 |
| | Recommended Fuse/Breaker Size [Outdoor] | A | 25 |
| | Recommended Wire Size [Indoor - Outdoor] | AWG | 14 |
| | Power Supply | | Indoor unit is powered by the outdoor unit |
| | MCA | A | 0.2 |
| | Rated Airflow, Dry | CFM | 700 |
| Maximum Airflow, Dry | CFM | 830 | |
| Minimum Airflow, Dry | CFM | 551 | |
| Internal Static Pressure [at Rated CFM] | in. WG | 0.12 | |
| Drain Pipe Size | In. [mm] | 3/4 [19.05] | |
| External Finish Color | | Galvanized Steel | |
| Unit Dimensions | W x D x H: In. [mm] | 17.5 x 21.7 x 27.4 [445.0 x 551.2 x 696.0] | |
| Package Dimensions | W x D x H: In. [mm] | 25.4 x 28.8 x 31.3 [646 x 732 x 795] | |
| Unit Weight [Cased Coil Only] | Lbs. [kg] | 58 [26.0] | |
| Control Box Weight | Lbs. [kg] | 11.00 [4.99] | |
| Package Weight | Lbs. [kg] | 87 [39.4] | |
| Indoor Unit Operating Temperature Range | Cooling Intake Air Temp [Maximum / Minimum] | °F | 90 DB, 73 WB / 66 DB, 59 WB |
| | Heating Intake Air Temp [Maximum / Minimum] | °F | 82 DB / 50 DB |
| Outdoor Unit | MCA | A | 19.0 |
| | MOCP | A | 26 |
| | Fan Motor Full Load Amperage | A | 0.4 |
| | Fan Motor Output | W | 86 |
| | Airflow Rate [Cooling / Heating] | CFM | 1,940 |
| | Refrigerant Control | | LEV |
| | Defrost Method | | Reverse Cycle |
| | Coating on Heat Exchanger | | Blue Fin Coating** |
| | Sound Pressure Level, Cooling ¹ | dB(A) | 47 |
| | Compressor Type | | INVERTER-driven twin rotary |
| | Compressor Model | | SNB172FWHM1 |
| | Compressor Rated Load Amps | A | 7 |
| | Compressor Locked Rotor Amps | A | 11.0 |
| | Compressor Oil [Type // Charge] | oz. | FV50S // 23 |
| | External Finish Color | | Ivory Munsell 3Y 7.8/1.1 |
| | Base Pan Heater | | N/A |
| | Unit Dimensions | W x D x H: In. [mm] | 37-13/32 x 13 (+1-3/16) x 37-1/8 [950 x 330 (+30) x 943] |
| | Package Dimensions | W x D x H: In. [mm] | 40-15/16 x 17-11/16 x 40-11/16 [1,040 x 450 x 1,033] |
| | Unit Weight | Lbs. [kg] | 151 [68] |
| | Package Weight | Lbs. [kg] | 176 [80] |
| Outdoor Unit Operating Temperature Range | Cooling Air Temp [Maximum / Minimum] | °F | 115 DB / 23 DB |
| Refrigerant | Type | | R410A |
| | Pre-Charged Refrigerant Amount | Lbs, oz | 7.0, 11.0 |
| | Maximum Pre-Charged Piping Length | Ft. [m] | 70.0 [20.0] |
| | Additional Refrigerant Charge Per Additional Piping Length | oz./Ft. [g/m] | 0.3 [22.5] |
| Piping | Gas Pipe Size O.D. [Flared] | In.[mm] | 5/8 [15.88] |
| | Liquid Pipe Size O.D. [Flared] | In.[mm] | 3/8 [9.52] |
| | Maximum Piping Length | Ft. [m] | 100 [30] |
| | Maximum Height Difference | Ft. [m] | 100 [30] |
| | Maximum Number of Bends | | 15 |

NOTES:

AHRI Rated Conditions

(Rated data is determined at a fixed compressor speed) ¹Cooling (Indoor // Outdoor) °F 80 DB, 67 WB // 95 DB, 75 WB

Airflow rate 350 CFM per rated ton of cooling at 95°F

Internal static pressure 0.3 in. WG (According to AHRI Standard - 210/240, where this is the maximum allowable internal static pressure for "Coil Only" systems)

**Blue Fin Coating Standard from 2022 production:

- PU(Y/Z)-A(12/18)NKA7 - Beginning with serial number 12U*****
- PU(Y/Z)-A(24/30/36/42)NKA7 - Beginning with serial number 12U*****

INDOOR UNIT ACCESSORIES: PAA-A24BA1

| | | |
|----------------------------|----------------------------------------------------------|--------------------|
| Control Interface | Connector and wire for Operation status/error using CN51 | PAC-725AD |
| | IT Extender | PAC-WHS01IE-E |
| | kumo station® for kumo cloud® | PAC-WHS01HC-E |
| | Procon BACnet® and Modbus® Interface | PAC-UKPRC001-CN-1 |
| | Remote Operation Adapter† | PAC-SF40RM-E |
| | Thermostat Interface | PAC-US445CN-1 |
| | USNAP Adapter | PAC-WHS01UP-E |
| | Wireless Interface for kumo cloud® | PAC-USWHS002-WF-2 |
| Remote Sensor | Flush Mount Remote Temperature Sensor | PAC-USSEEN002-FM-1 |
| | Flush Mount Temperature Sensor | PAC-USSEEN001-FM-1 |
| | Remote Temperature Sensor | PAC-SE41TS-E |
| | Wireless temperature and humidity sensor for kumo cloud® | PAC-USWHS003-TH-1 |
| Wired Remote Controller | Deluxe Wired MA Remote Controller† | PAR-40MAAU |
| | Simple Ductless Wired Remote Controller | PAC-SDW01RC-1 |
| | Simple MA Remote Controller† | PAC-YT53CRAU-J |
| | Touch MA Controller† | PAR-CT01MAU-SB |
| Wireless Remote Controller | kumo touch™ RedLINK™ Wireless Controller | MHK2 |
| | Lockdown bracket for remote controller | RCMKP1CB |
| | Wireless MA Receiver | PAR-FA32MA-W |
| | Wireless MA Remote Controller | PAR-FL32MA-E |
| Condensate | Refco Condensate Pump (100-240 VAC) up to 120,000 BTU/H | COMBI |
| Lineset | 10' x 3/8" x 10' x 5/8" Lineset (Twin-Tube Insulation) | MPLS385812T-10 |
| | 100' x 3/8" x 100' x 5/8" Lineset (Twin-Tube Insulation) | MPLS385812T-100 |
| | 15' x 3/8" x 15' x 5/8" Lineset (Twin-Tube Insulation) | MPLS385812T-15 |
| | 30' x 3/8" x 30' x 5/8" Lineset (Twin-Tube Insulation) | MPLS385812T-30 |
| | 50' x 3/8" x 50' x 5/8" Lineset (Twin-Tube Insulation) | MPLS385812T-50 |
| | 65' x 3/8" x 65' x 5/8" Lineset (Twin-Tube Insulation) | MPLS385812T-65 |

NOTES:

†PAC-SF40RM-E (Unable to use with wireless remote controller)

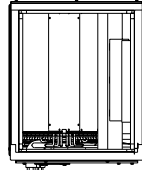
OUTDOOR UNIT ACCESSORIES: PUY-A24NHA7

| | | |
|-----------------------|----------------------------------------------------------------|----------------|
| Air Outlet Guide | Air Outlet Guide (1 Piece) | PAC-SG59SG-E |
| Centralized Drain Pan | Centralized Drain Pan | PAC-SG63DP-E |
| | Drain Pan | PAC-SG64DP-E |
| Control/Service Tool | Control/Service Tool | PAC-SK52ST |
| | M- & P-Series Maintenance Tool Cable Set | M21EC0397 |
| | Maintenance Tool Interface | PAC-USCMS-MN-1 |
| | USB/UART Conversion Cable (Required for all laptop connection) | M21EC1397 |
| Hail Guards | Hail Guard | HG-A6 |
| M-NET Converter | M-NET Converter | PAC-SJ85MA-E |
| | M-NET Converter | PAC-SJ95MA-E |
| Mini-Split Wire | 14 Gauge, 4 wire MiniSplit Cable—250 ft. roll | S144-250 |
| | 14 Gauge, 4 wire MiniSplit Cable—50 ft. roll | S144-50 |
| | 16 Gauge, 4 wire MiniSplit Cable—250 ft. roll | S164-250 |
| | 16 Gauge, 4 wire MiniSplit Cable—50 ft. roll | S164-50 |
| Mounting Pad | Condensing Unit Mounting Pad: 24" x 42" x 3" | ULTRILITE2 |
| Stand | 18" Single Fan Stand | QSMS1801M |
| | 24" Single Fan Stand | QSMS2401M |
| | Condenser Wall Bracket | QSWB2000M-1 |
| | Condenser Wall Bracket - Stainless Steel Finish | QSWBSS |
| | Outdoor Unit Stand — 12" High | QSMS1201M |
| Wind Baffle | Front Wind Baffle | WB-PA5 |
| | Rear Wind Baffle | WB-RE5 |
| | Side Advanced Wind Baffle | WB-SD5 |

INDOOR UNIT DIMENSIONS: PAA-A24BA1

PAA-A18, 24, 30, 36, 42AA1/BA1/CA1

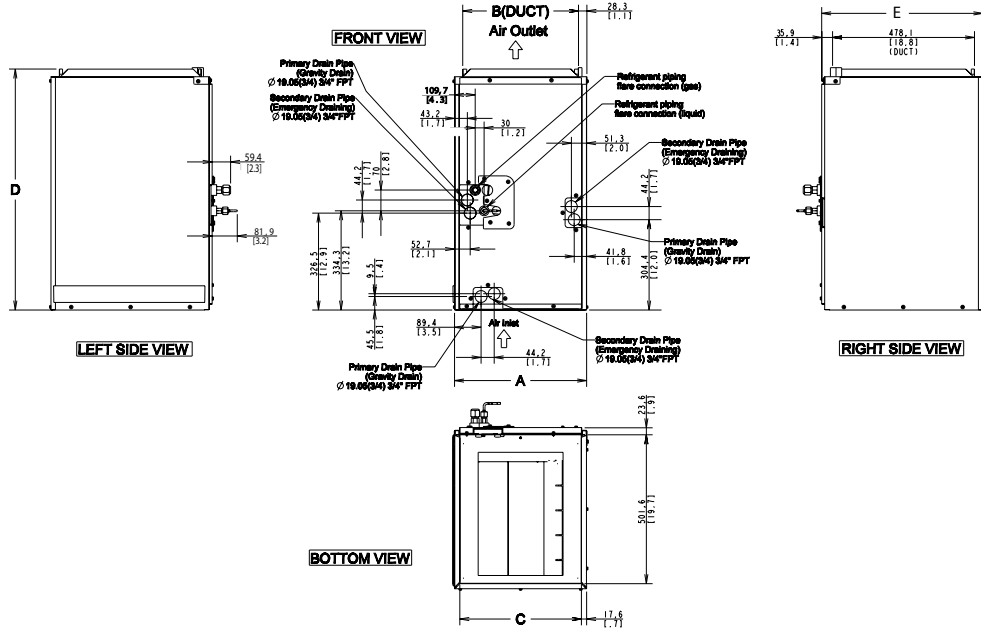
TOP VIEW



Unit: mm
[in.]

Indoor Unit

FRONT VIEW

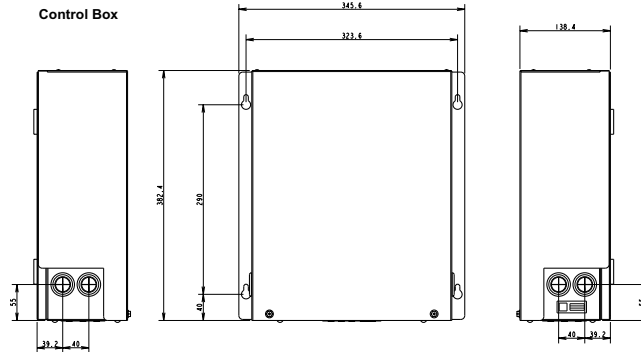


LEFT SIDE VIEW

RIGHT SIDE VIEW

BOTTOM VIEW

Control Box



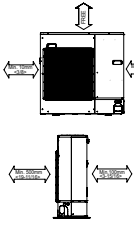
| Model | A mm [in.] | B mm [in.] | C mm [in.] | D mm [in.] | E mm [in.] |
|------------|----------------|-----------------|-----------------|----------------|---------------|
| PAA-A18AA1 | 368.3 [14-1/2] | 313.1 [12-5/16] | 332.7 [13-1/16] | 670.2 [26-3/8] | 543 [21-3/8] |
| PAA-A18BA1 | 445 [17-1/2] | 390 [15-5/16] | 409.6 [16-1/8] | 670.2 [26-3/8] | 543 [21-3/8] |
| PAA-A24AA1 | 368.3 [14-1/2] | 313.1 [12-5/16] | 332.7 [13-1/16] | 670.2 [26-3/8] | 543 [21-3/8] |
| PAA-A30AA1 | 368.3 [14-1/2] | 313.1 [12-5/16] | 332.7 [13-1/16] | 670.2 [26-3/8] | 543 [21-3/8] |
| PAA-A24BA1 | 445 [17-1/2] | 390 [15-5/16] | 409.6 [16-1/8] | 670.2 [26-3/8] | 543 [21-3/8] |
| PAA-A30BA1 | 445 [17-1/2] | 390 [15-5/16] | 409.6 [16-1/8] | 670.2 [26-3/8] | 543 [21-3/8] |
| PAA-A36BA1 | 445 [17-1/2] | 390 [15-5/16] | 409.6 [16-1/8] | 785.2 [31] | 543 [21-3/8] |
| PAA-A42BA1 | 445 [17-1/2] | 390 [15-5/16] | 409.6 [16-1/8] | 785.2 [31] | 543 [21-3/8] |
| PAA-A36CA1 | 534.6 [21] | 479.4 [18-7/8] | 499 [19-5/8] | 785.2 [31] | 543 [21-3/8] |
| PAA-A42CA1 | 534.6 [21] | 479.4 [18-7/8] | 499 [19-5/8] | 785.2 [31] | 543 [21-3/8] |

OUTDOOR UNIT DIMENSIONS: PUY-A24NHA7

Unit: mm<in>

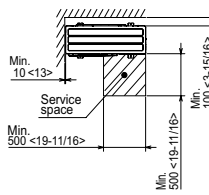
1 FREE SPACE (Around the unit)

The diagram below shows a basic example. Explanation of particular details are given in the installation manuals etc.



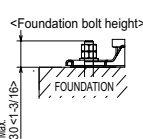
2 SERVICE SPACE

Dimensions of space needed for service access are shown in the below diagram.



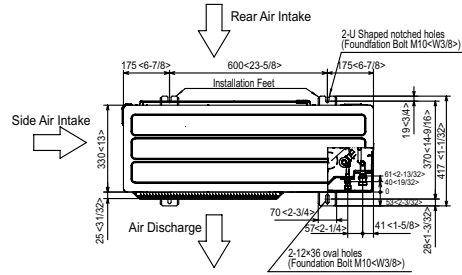
3 FOUNDATION BOLTS

Please secure the unit firmly with 4 foundation (M10<W3/8>) bolts. (Bolts and washers must be purchased locally.)



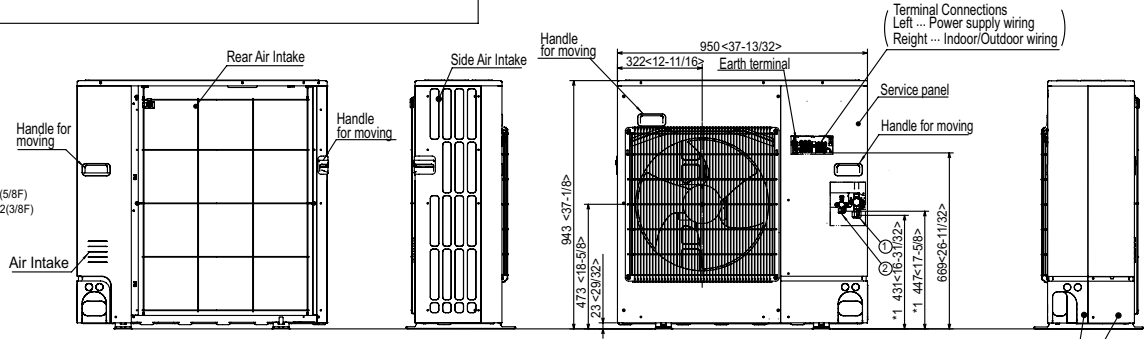
4 PIPING-WIRING DIRECTIONS

Piping and wiring connections can be made from 4 directions: FRONT, Right, Rear and Below.

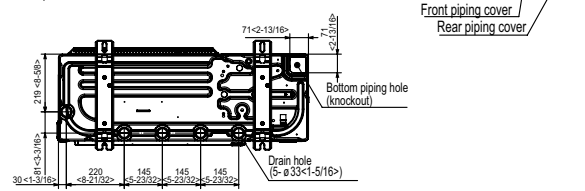
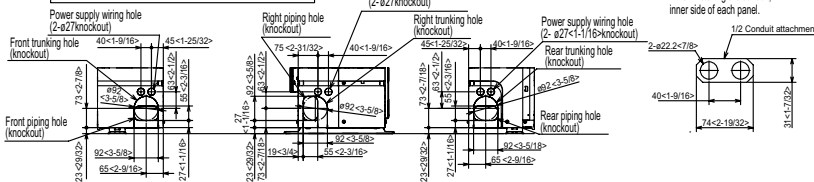


Example of Notes

- ① ... Refrigerant GAS pipe connection (FLARE) ø15.88(5/8F)
- ② ... Refrigerant LIQUID pipe connection (FLARE) ø9.52(3/8F)
- *1... Indication of STOP VALVE connection location.



Piping knockout Hole Details



1340 Satellite Boulevard Suwanee, GA 30024
Toll Free: 800-433-4822 www.mehvac.com



FORM# PAA-A24BA1 & PUY-A24NHA7 - 202310