


MANUFACTURED BY:  
MITSUBISHI ELECTRIC US, INC.

Air Conditioners

**PAA-A18, 24, 30, 36, 42AA1/BA1/CA1 and all- service  
reference models**

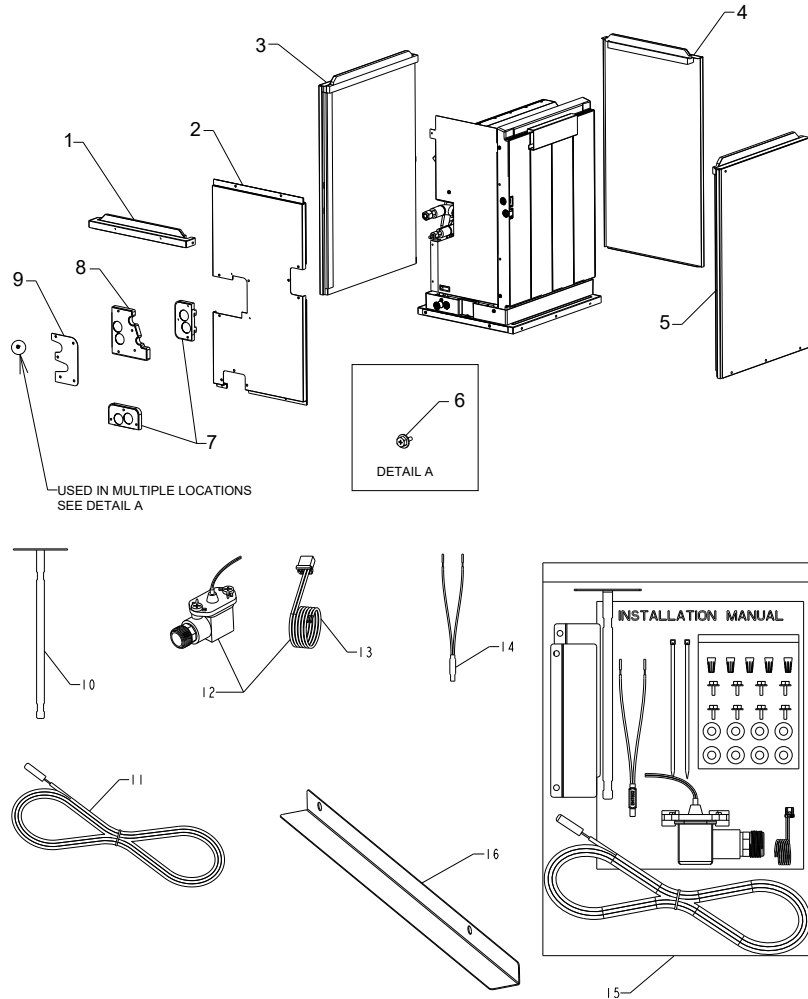
---

SERVICE PARTS MANUAL

## Table of Contents

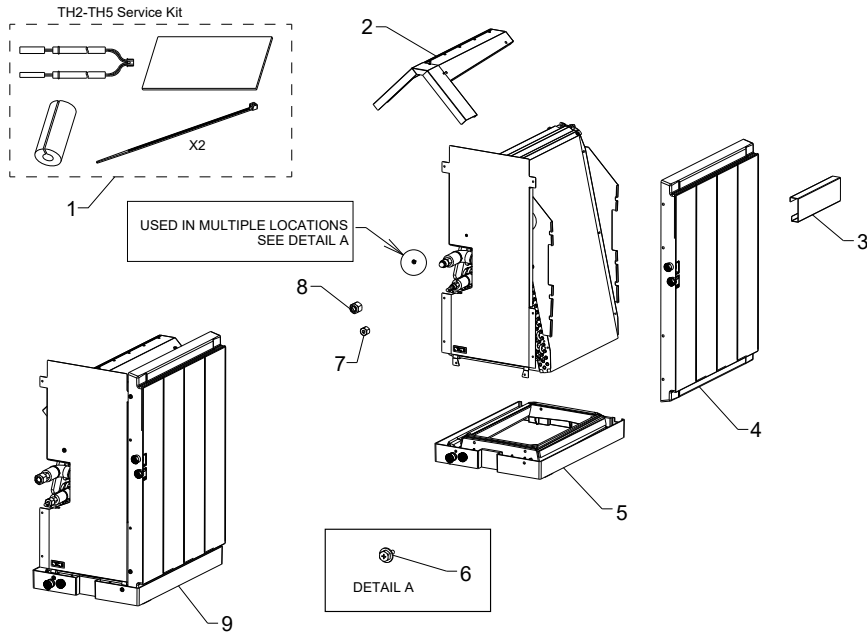
1. EXTERNAL PARTS .....	3
2. HEX ASSEMBLY PARTS .....	4
3. CONTROL BOX PARTS .....	5

# 1. EXTERNAL PARTS



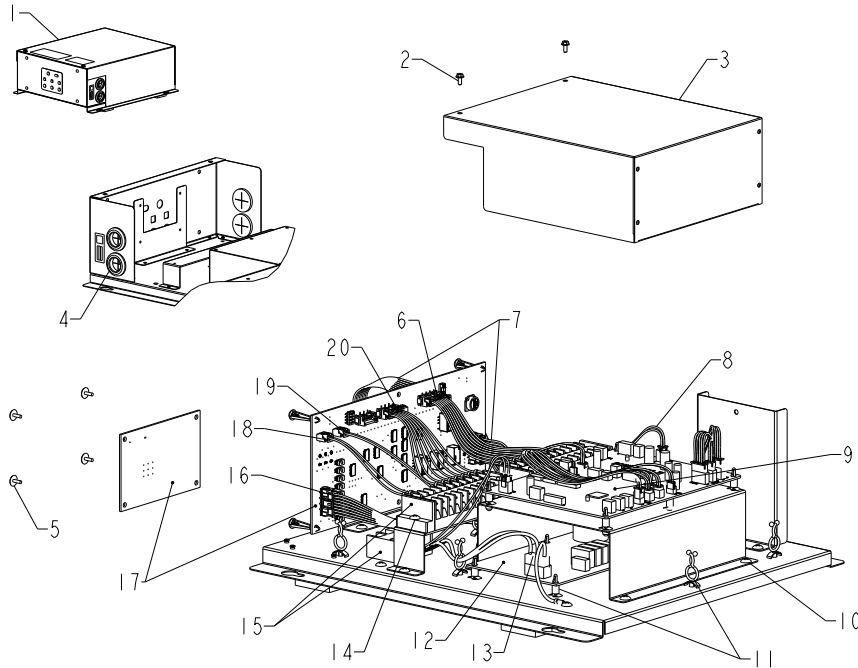
No.	Service Part No.	Part Name	Symbol in Wiring Diagram	Quantity per unit										Remarks				
				PAA-A														
				18AA1	18BA1	24AA1	24BA1	30AA1	30BA1	36BA1	36CA1	42BA1	42CA1					
1	U41 011 668	TOP COVER ASSY 14.5		1		1		1										
	U41 012 668	TOP COVER ASSY 17.5			1		1		1	1					1			
	U41 013 668	TOP COVER ASSY 21														1		1
2	U41 006 639	FRONT PANEL ASSY 14.5M		1		1		1										NOTE: The nameplate must be removed from the original front panel and placed on the new front panel. Document the model and serial number before removing nameplate and contact distributor for a replacement nameplate if necessary.
	U41 007 639	FRONT PANEL ASSY 17.5M			1		1		1									
	U41 008 639	FRONT PANEL ASSY 17.5L									1					1		
	U41 009 639	FRONT PANEL ASSY 21L														1	1	
3	U41 023 638	LEFT PANEL ASSY, MED		1	1	1	1	1	1									
	U41 024 638	LEFT PANEL ASSY, LARGE									1	1	1	1				
4	U41 019 638	BACK PANEL ASSY 145M		1		1		1										
	U41 020 638	BACK PANEL ASSY 175M			1		1		1									
	U41 021 638	BACK PANEL ASSY 175L									1				1			
	U41 022 638	BACK PANEL ASSY 21L														1		1
5	U41 025 638	RIGHT PANEL ASSY, MED		1	1	1	1	1	1									
	U41 018 638	RIGHT PANEL ASSY, LARGE									1	1	1	1				
6	U41 008 087	SCREW H 5X10 KNURLED		30	30	30	30	30	30	30	30	30	30	30	30	30	30	Pack of 10
7	U41 013 635	PANEL PIPE ASSY		2	2	2	2	2	2	2	2	2	2	2	2	2	2	
8	U41 011 635	PANEL PIPE ASSY		1	1	1	1	1	1	1	1	1	1	1	1	1	1	
9	U41 012 635	PANEL PIPE ASSY		1	1	1	1	1	1	1	1	1	1	1	1	1	1	
10	U71 001 086	SENSOR BRACKET		1	1	1	1	1	1	1	1	1	1	1	1	1	1	Also included in Accessory Bag, Item 15
11	U71 002 200	THERMISTOR 8MM	TH1	1	1	1	1	1	1	1	1	1	1	1	1	1	1	Also included in Accessory Bag, Item 15
12	U41 003 541	FLOAT SWITCH + LEAD WIRE ASSY CN4F	CN4F	1	1	1	1	1	1	1	1	1	1	1	1	1	1	Includes Lead Wire CN4F Also included in Accessory Bag, Item 15
13	U41 015 392	LEAD WIRE ASSY CN4F	CN4F	1	1	1	1	1	1	1	1	1	1	1	1	1	1	This part is included in U41003541, Float Switch + LEAD WIRE service part kit. Also included in Accessory Bag, Item 15
14	U41 010 200	THERMOSTAT (NAT)	TB-B	1	1	1	1	1	1	1	1	1	1	1	1	1	1	Also included in Accessory Bag, Item 15
15	U41 009 818	ACCESSORY BAG, PAA		1	1	1	1	1	1	1	1	1	1	1	1	1	1	
16	U41 004 130	L BRACKET 14.5		1		1		1										
	U41 005 130	L BRACKET 17.5			1		1		1	1						1		
	U41 006 130	L BRACKET 21														1	1	

## 2. HEX ASSEMBLY PARTS



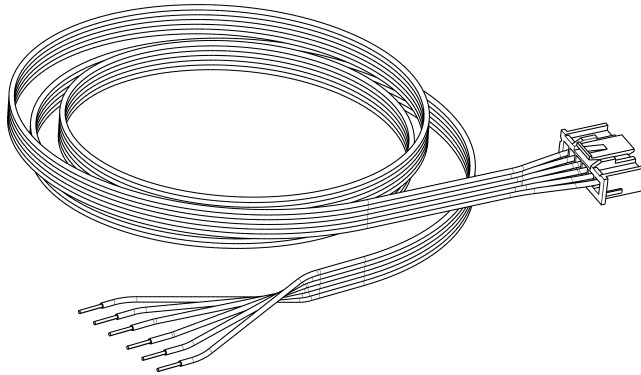
No.	Service Part No.	Part Name	Symbol in Wiring Diagram	Quantity per unit										Remarks		
				PAA-A												
				18AA1	18BA1	24AA1	24BA1	30AA1	30BA1	36BA1	36CA1	42BA1	42CA1			
1	U41 009 200	TH2-TH5 SERVICE KIT, PAA		1	1											Includes TH2-TH5 Wire Assy, 2 different Insulator Pipe Covers, and 2 ties ALL OF WHICH ARE SPECIFIED FOR USE IN THE PAA HIGH TEMP AREAS
2	U41 007 668	TOP PLATE DR ASSY, S		1	1											
	U41 008 668	TOP PLATE DR ASSY, L				1	1	1	1							
	U41 009 668	TOP PLATE DR ASSY, L-B								1			1			
	U41 010 668	TOP PLATE DR ASSY, L-C										1		1		
3	U41 019 529	SIDE PAN BRACKET		1	1	1	1	1	1	1	1	1	1	1	1	
5	U41 014 529	DRAIN PAN ASSY LOWER 14.5		1		1		1								
	U41 015 529	DRAIN PAN ASSY LOWER 17.5			1		1		1	1			1			
	U41 016 529	DRAIN PAN ASSY LOWER 21										1		1		
4	U41 017 529	DRAIN PAN ASSY SIDE, S		1	1	1	1	1	1	1						
	U41 018 529	DRAIN PAN ASSY SIDE, L									1	1	1	1		
6	U41 010 087	SCREW WFT 5X12		12	12	14	14	14	14	14	18	18	18	18	18	Pack of 10 Also used in the Control Box
7	U41 002 122	NUT FLARE 3/8				1	1	1	1	1	1	1	1	1	1	
	U41 004 122	NUT FLARE 1/4		1	1											
8	U41 003 122	NUT FLARE 1/2F		1	1											
	U41 001 122	NUT FLARE 5/8				1	1	1	1	1	1	1	1	1	1	
9	U41 043 480	HEX ASSY 14.5S PAA		1												Includes all parts on this page (TH2-TH5 wire assembly is pre-installed)
	U41 044 480	HEX ASSY 17.5S PAA			1											Includes all parts on this page (TH2-TH5 wire assembly is pre-installed)
	U41 039 480	HEX ASSY 14.5M PAA				1		1								Includes all parts on this page (TH2-TH5 wire assembly is pre-installed)
	U41 040 480	HEX ASSY 17.5M PAA					1		1							Includes all parts on this page (TH2-TH5 wire assembly is pre-installed)
	U41 041 480	HEX ASSY 17.5L PAA									1		1			Includes all parts on this page (TH2-TH5 wire assembly is pre-installed)
	U41 042 480	HEX ASSY 21L PAA										1		1		Includes all parts on this page (TH2-TH5 wire assembly is pre-installed)

### 3. CONTROL BOX PARTS



No.	Service Part No.	Part Name	Symbol in Wiring Diagram	Quantity per unit										Remarks						
				PAA-A																
				18AA1	18BA1	24AA1	24BA1	30AA1	30BA1	36BA1	36CA1	42BA1	42CA1							
1	U41 005 812	Control Box Assy 18		1	1															
	U41 006 812	Control Box Assy 24				1	1													
	U41 007 812	Control Box Assy 30						1	1											
	U41 008 812	Control Box Assy 36									1	1								
	U41 009 812	Control Box Assy 42												1	1					
2	U41 010 087	SCREW WFT 5X12		2	2	2	2	2	2	2	2	2	2	2	2	2	2	2	2	Pack of 10 Also used in the HEX assemblies.
3	U41 010 812	CONTROL BOX COVER		1	1	1	1	1	1	1	1	1	1	1	1	1	1	1	1	
4	U41 003 104	BUSHING		4	4	4	4	4	4	4	4	4	4	4	4	4	4	4	4	Pack of 2
5	INFO ONLY	SCREW M4 x 8		4	4	4	4	4	4	4	4	4	4	4	4	4	4	4	4	FIELD SUPPLIED
6	U41 019 392	LEAD WIRE ASSY CNH04	CNH04	1	1	1	1	1	1	1	1	1	1	1	1	1	1	1	1	
7	U41 022 392	LEAD WIRE ASSY CNH07	CNH07	1	1	1	1	1	1	1	1	1	1	1	1	1	1	1	1	
8	U41 023 392	LEAD WIRE ASSY CN22	CN22	1	1	1	1	1	1	1	1	1	1	1	1	1	1	1	1	
9	U41 012 280	PCBA IDU CTL BRD		1	1	1	1	1	1	1	1	1	1	1	1	1	1	1	1	
10	INFO ONLY	SCREW M4 x 10		12	12	12	12	12	12	12	12	12	12	12	12	12	12	12	12	FIELD SUPPLIED
11	U41 001 145	CLIPS & SUPPORTS		10 & 13	10 & 13	10 & 13	10 & 13	10 & 13	10 & 13	10 & 13	10 & 13	10 & 13	10 & 13	10 & 13	10 & 13	10 & 13	10 & 13	10 & 13	10 & 13	Pack of 5 each: clips & supports.
12	U41 005 280	PCA INDOOR POWER		1	1	1	1	1	1	1	1	1	1	1	1	1	1	1	1	
13	U41 024 392	LEAD WIRE ASSY POWER	CND	1	1	1	1	1	1	1	1	1	1	1	1	1	1	1	1	
14	INFO ONLY	SCREW M4 X20		5	5	5	5	5	5	5	5	5	5	5	5	5	5	5	5	FIELD SUPPLIED
15	U41 006 246	TERMINAL BLOCK, BED, LABEL KIT	TB-A TB-B TB-C	1	1	1	1	1	1	1	1	1	1	1	1	1	1	1	1	Includes qty 1 terminal bed, qty 2 Terminal Blocks, qty 1 label
16	U41 016 392	LEAD WIRE ASSY CNH01	CNH01	1	1	1	1	1	1	1	1	1	1	1	1	1	1	1	1	
17	U41 001 225	PAA RELAY AND UI BD ASSEMBLIES		1	1	1	1	1	1	1	1	1	1	1	1	1	1	1	1	
18	U41 020 392	LEAD WIRE ASSY CNH05	CNH05	1	1	1	1	1	1	1	1	1	1	1	1	1	1	1	1	
19	U41 021 392	LEAD WIRE ASSY CNH06	CNH06	1	1	1	1	1	1	1	1	1	1	1	1	1	1	1	1	
20	U41 018 392	LEAD WIRE ASSY CNH03	CNH03	1	1	1	1	1	1	1	1	1	1	1	1	1	1	1	1	
-	U41 015 392	LEAD WIRE ASSY CN4F	CN4F	1	1	1	1	1	1	1	1	1	1	1	1	1	1	1	1	This part is shown in the External Service Parts section. It is available individually, as part of the Float Switch + LEAD WIRE kit, and as part of the Accessory Bag.

**Optional Items**



OPTIONAL ITEMS				
Part Name	Part Number	Remarks	Symbol in Wiring Diagram	Models
LEAD WIRE ASSY CNH02	U41 017 392	Optional for connection to Thermostat Interface 2, PAC-US445CN* . (This part is included with PAC-US445CN*)	CNH02	Optional use with all PAA Models

---

This product is designed and intended for use in the residential and commercial environment.

Manufactured by:  
**mitsubishi electric us, inc.**  
[www.mitsubishielectric-usa.com](http://www.mitsubishielectric-usa.com)  
Toll Free: 800-433-4822