

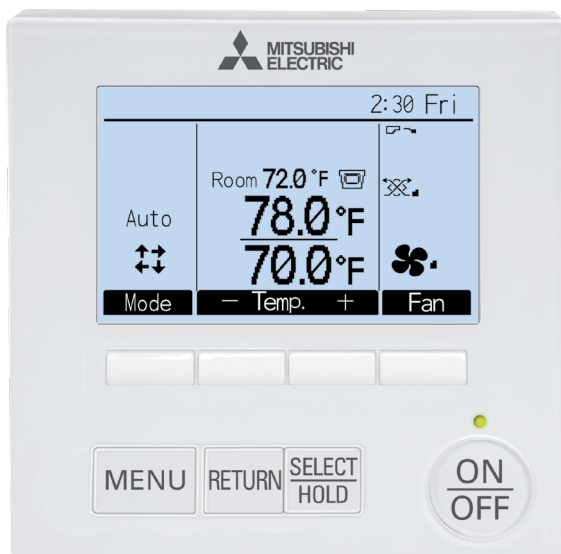
Model: PAR-41MAAU Deluxe MA Remote Controller



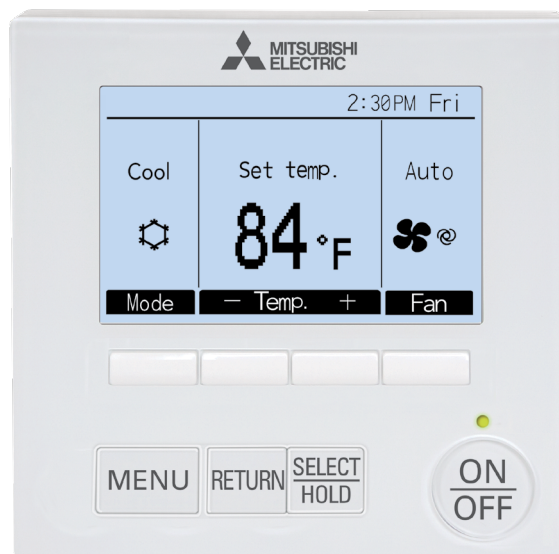
Job Name:

System Reference:

Date:



FULL VIEW



BASIC VIEW

OPERATION/DISPLAY

- ON/OFF
 - Switches between ON and OFF.
- Operation mode switching
 - Switches between Cool/Dry/Fan/Auto/Setback/Heat.
- Hold
 - Switches between enable and disable the Hold function.
 - If the Hold function is enable, the following functions will be prohibited.
 - ON/OFF timer/Schedule (Weekly timer) /Auto return/Auto-OFF timer
- Temperature setting
 - Changes the set temperature.
 - Set temperature range varies depending on the indoor unit model.
- Fan speed setting
 - Changes fan speed.
 - Available fan speeds vary depending on the model.
- Air flow direction setting ^{*1}
 - Changes airflow direction.
 - Available airflow directions vary depending on the model.
- Louver setting ^{*1}
 - Switches between louver ON/OFF.
- Ventilation equipment control
 - Interlocked setting and interlocked operation setting with City Multi Lossnay units can be performed.
 - The Stop/Low/High settings of the ventilation equipment can be controlled.
- Main display mode setting
 - The Main display can be displayed in two different modes: "Full" and "Basic."
- B&W inversion
 - The colors of the display can be inverted, turning white background to black and black characters to white.
- (NEW) View Energy Consumption Data for M- & P-Series ^{*1}
 - Hourly: Displays the hourly energy consumption for the last 31-day period.
 - Daily/Monthly: Displays the Daily or Monthly energy consumption for the last 14-month period.
- (NEW) MASS Save Function ^{*1}
 - Select the outdoor air temperatures at which outdoor unit operation will be enabled and disabled: enable on rise, disable on fall.
 - Select the outdoor air temperatures at which backup heater operation will be enabled and disabled: enable on fall, disable on rise.
- Clock ^{*2}
 - Date (year/month/day) and time (hour/minute) can be set.
 - The set time as well as the day of the week will be displayed on the Main display.
 - It is also possible for the time to not display on the main display.
 - The clock can be displayed in 12-hour format (AM/PM before or after the time) and 24-hour format.
- Daylight saving time
 - The start/end time for daylight saving time can be set.
 - The daylight saving time function will be activated based on the setting contents.
- Room temp. display
 - The room temperature display can be enabled or disabled.
- Error information
 - When an error occurs, an error code and the unit address appear.
 - The air-conditioning unit model, serial number, and contact number can be set to appear when an error occurs. (The above information needs to be entered in advance.)
- Filter information
 - A filter sign will appear when it is time to clean the filter.
- Remote controller information
 - The version of the remote controller can be checked.

^{*1} This function is active only for the units that support the function.

^{*2} The clock is accurate within 45 seconds per month (at the temperature of 77°F [25°C]). The clock is backed up for 3 days.

Model: PAR-41MAAU

SCHEDULE AND TIMER SETTING

- Timer
 - ON/OFF timer
 - Turns ON and OFF daily at a set time.
 - Time can be set in 5-minute increments.
 - It is also possible to set the ON time only or the OFF time only.
 - Auto-OFF timer
 - Turns off the unit after a certain period of operation.
 - Operation time can be set to a value from 30 to 240 minutes in 10-minute increments.
- Weekly timer
 - Weekly ON/OFF times and set temperatures can be set.
 - Time can be set in 5-minute increments. Up to 8 schedule patterns can be set per day of the week.
 - Not valid when the ON/OFF timer is set.

RESTRICTION SETTINGS

- Allows/disallows local operation
 - The following operation can be prohibited by applying certain settings on the centralized controller: ON/OFF, operation mode, set temperature, filter sign reset, air direction, fan speed and timer.
 - While an operation is prohibited, the operation icon lights up (only on the Main display in the "Full" mode).
- Operation lock
 - The following operations can be prohibited: Sensing Location, ON/OFF, Mode, Set temp., Menu, Fan, Louver, Vane, or Hold
- Temperature range restriction
 - The room temperature range for each operation mode can be restricted.
- Auto return
 - The units operate at the preset temperature after a designated period.
 - Time can be set to a value from 30 to 120 minutes in 10-minute increments.
 - Not valid when the temperature setting range is restricted.
- Password
 - Administrator password (required for schedule setting etc.) and Maintenance password (required for test run and function setting etc.) can be set.

MISCELLANEOUS ITEMS

- Language Selection
 - Select the display language from the following 3 languages.
 - English, French, Spanish
- Brightness Contrast
 - The brightness of the LCD can be adjusted. The contrast of the LCD can be adjusted.
- Manual Vane Angle **
 - Fixes the vane position for each air outlet.
- Service *1
 - Contains Test run, Function setting, Request code, and Error history.
- 3D i-see Sensor® *1
 - Settings for 3D i-see Sensor® can be made.

ENERGY SAVING OPTIONS

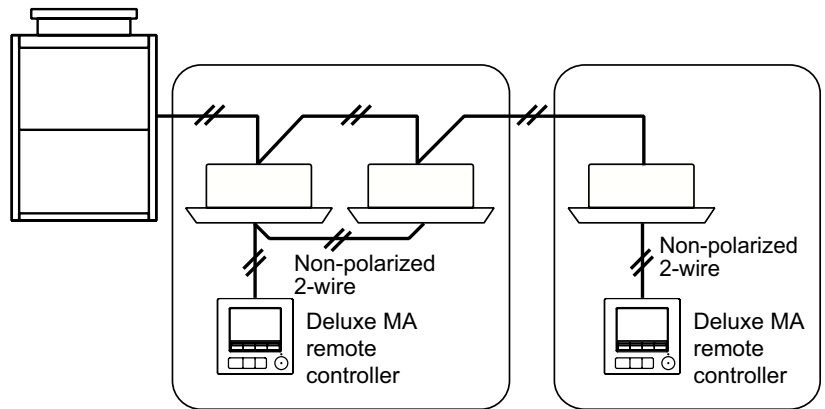
- No occupancy energy save
 - Requires 3D i-see Sensor® on applicable indoor units
- Room Occupancy energy save
 - Requires 3D i-see Sensor® on applicable indoor units
- No occupancy Auto-OFF
 - Requires 3D i-see Sensor® on applicable indoor units
- Setback Mode

*1 This function is active only for the units that support the function.

*2 The clock is accurate within 45 seconds per month (at the temperature of 77°F [25°C]). The clock is backed up for 3 days.

SYSTEM EXAMPLE

*When a PAR-41MAAU is connected to a group, no other MA remote controllers can be connected to the same group.

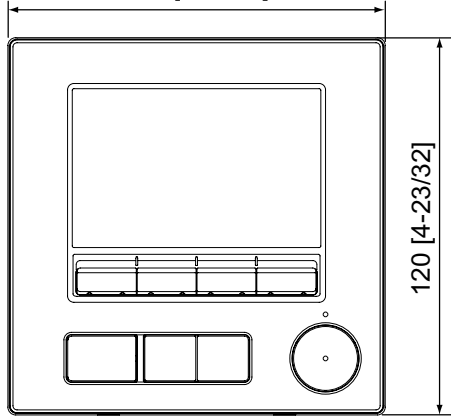


Model: PAR-41MAAU

DIMENSIONS

(Front view)

120 [4-23/32]



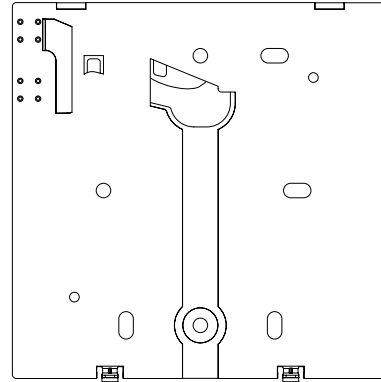
(Side view)

14.5 [37/64]



(Rear view)

Unit: mm [in.]



COMPATIBILITY CHART

CITY MULTI®		M-Series		P-Series	
PMFY-NBMU	Yes	MFZ-KA	MAC-334IF-E	PAA	Yes
PEFY-NMU	Yes	MFZ-KJ	MAC-334IF-E	PCA	Yes
PEFY-NMAU	Yes	MSZ/Y-A	No	PEA	Yes
PEFY-NMHSU	Yes	MSZ/Y-D	NA: No NA-8: MAC-334IF-E	PEAD	Yes
PEFY-NMLU	Yes	MS-WA	No	PKA	Yes
PEFY-NMSU	Yes	MSZ-FD	No	PLA	Yes
PLFY-NAMU	Yes	MSZ-FE	09(12)NA: No 09(12)NA-8: MAC-334IF-E 18NA: Yes¹	PVA	Yes
PLFY-NBMU	Yes	MSZ/Y-GE	06(-18)NA: No NA-8: MAC-334IF-E NA-9: MAC-334IF-E GE24NA: MAC-334IF-E		
PLFY-NCMU	Yes	MSZ/Y-GL	MAC-334IF-E		
PLFY-NEMU	Yes	MSZ/Y-GS	MAC-334IF-E		
PLFY-NFMU	Yes	MSZ-FH	MAC-334IF-E		
PLFY-NLMU	Yes	MSZ-FS	MAC-334IF-E		
PCFY-VKM	Yes	MSZ-HE	No		
PCFY-NGMU	Yes	MSZ-HM	MAC-334IF-E		
PCFY-NKMU	Yes	MVZ-AA4	Yes		
PFFY-NEMU	Yes	MVZ-AA7	Yes		
PFFY-NRMU	Yes	SVZ-KP	Yes		
PVfy-E00	Yes	SEZ-KD	No		
PVfy-NAMU	Yes	SEZ-KD4	Yes		
PKFY-NAMU	Yes	SLZ-KA	Yes		
PKFY-NFMU	Yes	SLZ-KF	Yes		
PKFY-NGMU	Yes	MLZ-KP	MAC-334IF-E		
PKFY-NBMU	Yes				
PKFY-NHMU	Yes	Note: MAC-334IF-E indicates that the unit requires a MAC-334IF-E Adapter in order to use the PAR-41MAAU.			
PKFY-NKMU	Yes				

SPECIFICATIONS

Product size (W x H x D)	In. (mm)	4 3/4 x 4 3/4 x 0.57 (120 x 120 x 14.5)
Net Weight	Lbs. (kg)	9/16 (0.25)
Rated Power Supply Voltage		12 VDC (supplied from indoor units)
Power Consumption	W	0.3
Usage Environment		Temperature: 0 to 40° C (32 to 104° F) Humidity: 30 to 90%RH (with no condensation)
Material	Panel	PMMA
	Main body	PC + ABS
Sound Pressure Level	dB(A)	<70 [A-weighted sound pressure level]

1340 Satellite Boulevard, Suwanee, GA 30024
Toll Free: 800-433-4822 www.mehvac.com