



PROJECT NAME _____
 LOCATION _____
 ARCHITECT _____
 ENGINEER _____
 CONTRACTOR _____
 SUBMITTED BY _____ DATE _____

UNIT SUMMARY

Quantity						
Unit Designation						
Model No.						
Total Cooling						
Sensible Cooling						
Air Ent. Evaporator						
Air Lvg. Evaporator						
Heating Input						
Heating Output						
CFM/ESP						
EER/SEER						
Electrical						
Minimum Ampacity						
Min.-Max. Breaker						
Net Unit Weight						
Accessory						
Catalog Form Number						

ACCESSORIES:

NOTES:

Endeavor® Line (-)H3VZ Air Handlers

Efficiencies up to: 16 SEER2

JOB NAME _____ LOCATION _____

CONTRACTOR _____ ORDER NO. _____

ENGINEER _____ UNIT MODEL NO. _____

SUBMITTED FOR APPROVAL RECORD COIL MODEL NO. _____

DATE _____ AIR HANDLER MODEL NO. _____

UNIT DATA

COOLING PERFORMANCE

TOTAL CAPACITY* MBH [kW]

SENSIBLE CAPACITY* MBH [kW]

OUTDOOR DESIGN TEMP..... °F [°C] DB

TOTAL SUPPLY AIR..... CFM [L/s]

TEMP. OF AIR ENTERING

EVAPORATOR COIL °F [°C] DB

..... °F [°C] WB

POWER INPUT REQUIREMENT kW

(*uses blower motor heat)

HEATING PERFORMANCE

TOTAL CAPACITY* MBH [kW]

OUTDOOR DESIGN TEMP..... °F [°C] DB

TEMP. OF AIR ENTERING

EVAPORATOR COIL °F [°C] DB

..... °F [°C] WB

ELECTRIC HEAT CAPACITY. kW

POWER INPUT REQUIREMENT kW

(*uses blower motor heat)

SUPPLY AIR BLOWER PERFORMANCE

TOTAL AIR SUPPLY..... CFM [L/s]

TOTAL RESISTANCE EXTERNAL

TO UNIT..... IWG

BLOWER SPEED..... RPM

POWER OUTPUT REQUIREMENT BHP

MOTOR RATING HP [W]

POWER INPUT REQUIREMENT kW

ELECTRICAL DATA

POWER SUPPLY Hz

TOTAL UNIT AMPACITY..... AMPS

MINIMUM WIRE SIZE AWG

MAXIMUM OVERCURRENT DEVICE

FUSES/HACR BREAKER AMPS

CLEARANCES

SERVICE ACCESS FRONT 24" [609.6 mm]



FEATURES

- **Constant CFM Motor:** When paired with the EcoNet® Smart Thermostat, the motor gradually auto-adjusts from low capacity to 100% of capacity to meet comfort requirements – allowing for ultimate humidity control, quieter sounds levels and year-round energy savings

When paired with a 24V two-stage thermostat, the air handler runs in 3-speeds to match airflow with outdoor unit

- **PlusOne® Diagnostics – Easy & Quick Diagnostics & Ongoing Monitoring with Bluetooth®1,2 Technology & EcoNet®:** With the Contractor & EcoNet® Apps, built-in technology makes monitoring, troubleshooting and repairing the product easier than ever before

The Contractor App via Bluetooth® technology, features up to 62% faster overall diagnostics over other residential HVAC brands¹

- **No Dip Switches = Fast Seamless Final Installation:** The Contractor App-based commissioning via Bluetooth® technology, features up to 54% faster installation over other residential HVAC brands*

- **New Air Handler Control Board (AHC):** Enables constant CFM airflow
- Introduces Bluetooth® connectivity for access to advanced diagnostic information from the Contractor App on your mobile device

Maintains EcoNet® diagnostics for remote access when shared by the homeowner

- **Aluminum Indoor Coil Design:** Are constructed of aluminum fins bonded to internally grooved aluminum tubing and are more corrosion resistant
- **Quieter Sound Levels:** Provided by sturdy cabinet construction with 1.0 inch of foil faced insulation for quieter sound characteristics
- **Versatile 4-Way Convertible Compact Design:** Allows for upflow, downflow, horizontal left and horizontal right applications, even in the smallest of spaces
- **Rugged Steel, Compact Cabinet Construction:** Designed for added strength and versatility
- **Field-installed Auxiliary Heater Kits:** Provide exact heat for indoor comfort and include circuit breakers which meet UL and cUL requirements for service disconnect
- **Less than 2% Cabinet Air Leakage at 1-inch H2O:** When tested in accordance with ASHRAE Standard 193

¹Per a 2022 MIAT Residential HVAC Time Study on base and mid-tier products and commercially available competitor units of similar product tier.

²The Bluetooth® word mark and logos are registered trademarks owned by Bluetooth SIG, Inc. and any use of such marks by Rheem® is under license. Other trademarks and trade names are those of their respective owners.



(-)H3VZ

ELECTRICAL CONNECTIONS
MAY EXIT TOP OR EITHER SIDE

HIGH VOLTAGE CONNECTION $\frac{7}{8}$ " [22.2 mm],
 $1\frac{1}{32}$ " [27.8 mm], $1\frac{1}{32}$ " [50 mm] DIA. KNOCKOUTS.

LOW VOLTAGE CONNECTION
 $\frac{5}{8}$ " [15.9 mm] AND $\frac{7}{8}$ " [22.2 mm] KNOCKOUT

AUXILIARY DRAIN CONNECTION
 $\frac{3}{4}$ " [19.1 mm] FEMALE PIPE THREAD (NPT)
HORIZONTAL APPLICATION ONLY

PRIMARY DRAIN CONNECTION
 $\frac{3}{4}$ " [19.1 mm] FEMALE PIPE THREAD (NPT)

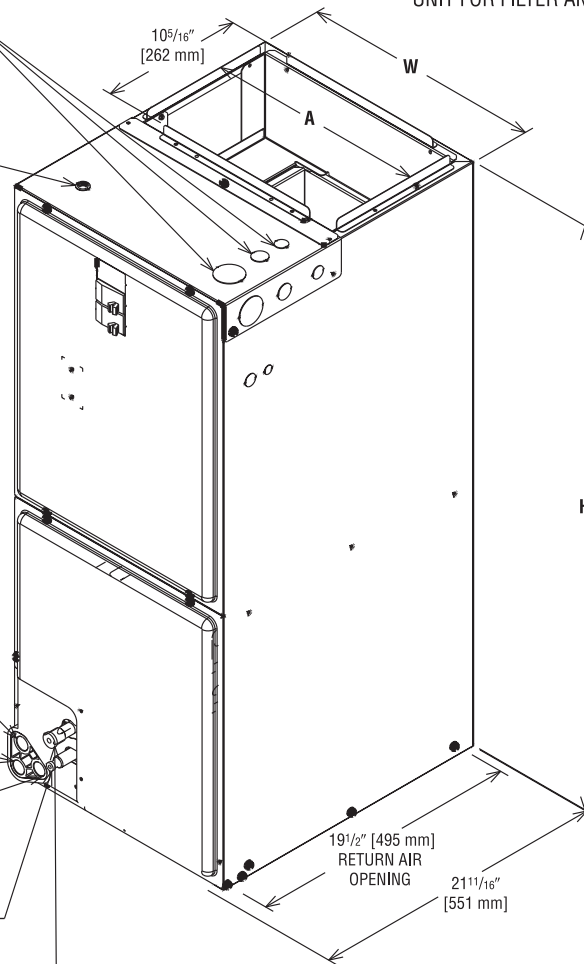
AUXILIARY DRAIN CONNECTION
 $\frac{3}{4}$ " [19.1 mm] FEMALE PIPE THREAD (NPT)
UPFLOW/DOWNFLOW APPLICATION ONLY

LIQUID LINE CONNECTION
COPPER (SWEAT)

VAPOR LINE CONNECTION
COPPER (SWEAT)

SUPPLY AIR ↑

NOTE: 24" CLEARANCE REQUIRED IN FRONT OF UNIT FOR FILTER AND COIL MAINTENANCE.



UPFLOW UNIT SHOWN:
UNIT MAY BE INSTALLED UPFLOW, DOWNFLOW,
HORIZONTAL RIGHT OR LEFT AIR SUPPLY.

Unit Dimensions

Model Size (-)H3VZ	Refrigerant Connections Sweat (In.) [mm] ID		Unit Width "W" In. [mm]	Unit Height "H" In. [mm]	Supply Duct "A" In. [mm]	Unit Weight/ Shipping Weight (Lbs.) [kg]
	Liquid	Vapor				
2417STACN	$\frac{3}{8}$ [9.53]	$\frac{3}{4}$ [19.05]	$17\frac{1}{2}$ [444.5]	$42\frac{1}{2}$ [1080]	16 [406]	91/105 [41/48]
3617STACN	$\frac{3}{8}$ [9.53]	$\frac{3}{4}$ [19.05]	$17\frac{1}{2}$ [444.5]	$42\frac{1}{2}$ [1080]	16 [406]	99/113 [45/51]
4821STACN	$\frac{3}{8}$ [9.53]	$\frac{7}{8}$ [22.23]	21 [533.0]	$50\frac{1}{2}$ [1282]	$19\frac{1}{2}$ [495]	129/145 [59/66]
6024STACN	$\frac{3}{8}$ [9.53]	$\frac{7}{8}$ [22.23]	$24\frac{1}{2}$ [622.3]	$55\frac{1}{2}$ [1410]	23 [584]	158/175 [72/79]

[] Designates Metric Conversions

Before proceeding with installation, refer to installation instructions packaged with each model, as well as complying with all Federal, State, Provincial, and Local codes, regulations, and practices.

5600 Old Greenwood Road
Fort Smith, Arkansas 72908

© 2023 Rheem Manufacturing Company. Rheem, Ruud and Friedrich trademarks owned by Rheem Manufacturing Company.

"In keeping with its policy of continuous progress and product improvement, Rheem reserves the right to make changes without notice."