



Ruud RUTG is a series of ultra low NOx, mid-efficiency tankless gas water heaters designed for continuous hot water

Efficiency

- .82 EF with all-copper heat exchanger
- Intelligent electronic controls designed to increase energy efficiency and safety
- Third party efficiency listed by AHRI

Performance

- Industry First! 0.26 GPM minimum flow rate, 0.40 GPM minimum activation flow rate
- RUTG-95 for 3 bathroom homes*– 9.5 gal./min. at 35°F rise max., 7.4 gal./min. at 45°F rise
- RUTG-84 for 2-3 bathroom homes*– 8.4 gal./min. at 35°F rise max., 6.7 gal./min. at 45°F rise
- RUTG-64 for 1-2 bathroom homes*– 6.4 gal./min. at 35°F rise max., 5.6 gal./min. at 45°F rise

Self-Diagnostic System

- Self-diagnostic system for easy installation and service
- Digital display shows temperature setting and maintenance codes

Technology

- 3"/5" concentric vent system with Integrated condensate collector
- Hot-start programming helps minimize fluctuation in water temperature, referred to as "cold water sandwich", during periods of frequent on/off operation
- Connects to Metal Fab. Inc., 3"/5" concentric venting without an adapter
- Built-in electric blower
- Exclusive! Guardian OFW™ overheat film wrap
- EZ-Link™ cable available for higher demand applications to connect two tankless units to operate as one
- Manifold up to six units with an optional MIC-6 manifold control board
- Manifold up to 20 units with the optional MIC-185 plus the MICS-180 manifold control assembly

Low Emissions

- Environmentally friendly ultra low NOx burner meets SCAQMD rule 1146.2 requirements

High Altitude Compliant

- High-altitude capability – up to 9,840 ft. elevation above sea level

Plus...

- Digital remote control and 10 ft. of thermostat wire included
- Supplied with a 120-volt power cord (indoor models only)
- Freeze protection to -30°F
- Required manual gas isolation valve included
- EZ-Spec™ Sizing Software – advanced online tool that takes the guess work out of sizing tankless applications – available at www.ruud.com/tankless

Warranty

- 12-Year heat exchanger – residential, 5-year heat exchanger – commercial, 5-year parts and 1-year labor
- See Warranty Certificate for complete information

Commercial Applications

RUTG Tankless Series can be upgraded for high-temperature commercial and hydronic use.

- Temperature range is 85°F to 185°F

RUTG-95 Upgrade Kits

RTG20236A for RUTG-95DVLN
RTG20236B for RUTG-95DVLN
RTG20236C for RUTG-95XLP
RTG20236D for RUTG-95XLP

RUTG-84 Upgrade Kits

RTG20237A for RUTG-84DVLN
RTG20237B for RUTG-84DVLN
RTG20237C for RUTG-84XLP
RTG20237D for RUTG-84XLP

Note: These upgrade kits are not compatible with previous models. See the latest Tankless Parts and Accessories Catalog for a complete listing.



RUTG-DVL
Indoor Direct Vent Model
11,000-199,900 Btu/h
Natural and LP Gas



RUTG-XL
Outdoor Model
11,000-199,900 Btu/h
Natural and LP Gas



LEED Points = 2

* Based on simultaneous showers using 2.5 gallons per minute. Flow rates vary depending on temperature of cold water supply.



Specifications

DESCRIPTION			FEATURES						ROUGHING IN DIMENSIONS (SHOWN IN INCHES)						ENERGY INFO.		
MODEL NUMBER	GAS INPUT BTU/H	TYPE	TEMP. RANGE	MIN. FLOW/ACTIVATION GPM	GPM @ 77° RISE MAX.	GPM @ 45° RISE MAX.	MAX. GPM	CONNECTION WATER	GAS	HEIGHT	WIDTH	DEPTH	VENT DIAM.	SHIP WEIGHT (LBS.)	ENERGY FACTOR	RECOVERY EFFICIENCY	D.O.E. ANN. OP. COST NAT/LP
RUTG-95 ULTRA LOW NOx SERIES FOR 3 BATHROOM HOMES																	
RUTG-95DVLN	11,000-199,900	Indoor Direct Vent	85° to 140° F*	0.26/0.40	4.3	7.4	9.5	3/4	3/4	25-5/8	13-7/8	9-7/8	3 by 5 CONCENTRIC	54	.82	84%	\$199/482
RUTG-95XLN	11,000-199,900	Outdoor	85° to 140° F*	0.26/0.40	4.3	7.4	9.5	3/4	3/4	23-5/8	13-7/8	8-7/8	N/A	54	.82	83%	\$199/482
RUTG-84 ULTRA LOW NOx SERIES FOR 2-3 BATHROOM HOMES																	
RUTG-84DVLN	11,000-180,000	Indoor Direct Vent	85° to 140° F	0.26/0.40	3.9	6.7	8.4	3/4	3/4	25-5/8	13-7/8	9-7/8	3 by 5 CONCENTRIC	54	.82	84%	\$199/482
RUTG-84XLN	11,000-180,000	Outdoor	85° to 140° F	0.26/0.40	3.9	6.7	8.4	3/4	3/4	23-5/8	13-7/8	8-7/8	N/A	54	.82	83%	\$199/482
RUTG-64 ULTRA LOW NOx SERIES FOR 1-2 BATHROOM HOMES																	
RUTG-64DVLN	11,000-150,000	Indoor Direct Vent	85° to 140° F	0.26/0.40	3.3	5.6	6.4	3/4	3/4	25-5/8	13-7/8	9-7/8	3 by 5 CONCENTRIC	54	.82	84%	\$199/482
RUTG-64XLN	11,000-150,000	Outdoor	85° to 140° F	0.26/0.40	3.3	5.6	6.4	3/4	3/4	23-5/8	13-7/8	8-7/8	N/A	54	.82	83%	\$199/482

Energy Factor and Average Annual Operating Costs based on 2013 D.O.E. (Department of Energy) test procedures. D.O.E. national average fuel rate natural gas \$1.09/therm; LP \$2.41/gallon.

All models are available in Natural Gas and Propane (LP). For Propane replace the N with P when ordering.

- SCQAMD rule 1146.2 compliant.
- Factory set maximum temperature is 120° F. See Use and Care Manual for setting.
- Consult factory for information on sizing the application.

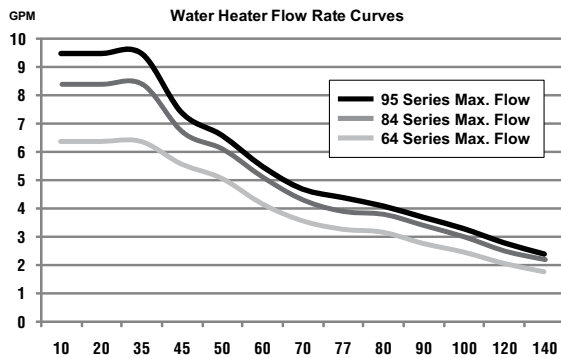
Vent Termination Kits are required for Direct Vent models. Contact your distributor for details.

Proper gas pressure must be ensured to supply tankless gas water heaters – up to 199,900 Btu/h for RUTG-95 models, up to 180,000 Btu/h for RUTG-84 models and up to 150,000 Btu/h for RUTG-64 models. (Consult your gas supplier)

Temperature Rise (° F)

Model Number	35°	45°	50°	60°	70°	77°	80°	90°	100°
RUTG-95 Water Flow (GPM)	9.5	7.4	6.6	5.5	4.7	4.3	4.1	3.7	3.3
RUTG-84 Water Flow (GPM)	8.4	6.7	6.1	5.1	4.3	3.9	3.8	3.4	3.0
RUTG-64 Water Flow (GPM)	6.4	5.6	5.1	4.2	3.6	3.3	3.2	2.8	2.5

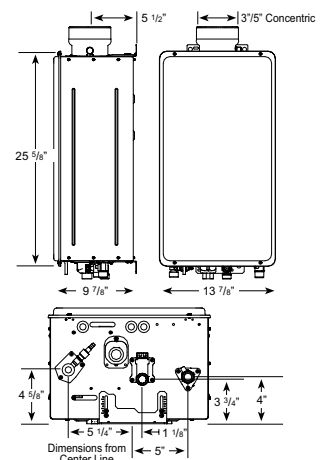
Above estimates are for sizing purposes only.



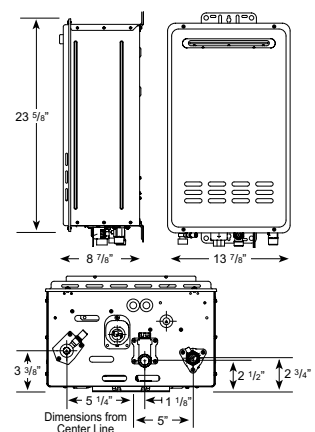
Maximum Vent Length (intake/outlet):

Number of 90° Elbows	Maximum Length of Straight Pipe
1	39.0 ft. (12.0 m)
2	37.5 ft. (11.5 m)
3	36 ft. (11 m)
4	34.5 ft. (10.5 m)
5	33.0 ft. (10.0 m)
6	31.5 ft. (9.5 m)

Indoor Direct Vent



Outdoor



Parts and Accessories

Venting & terminations, recess boxes, pipe covers, extra remote controls, EZ-Link™, manifolds and cables, service valve kits, service parts and flush kits

For more information on Tankless parts and accessories, see the Parts and Accessories Catalog or call 866-720-2076.

In keeping with its policy of continuous progress and product improvement, Ruud reserves the right to make changes without notice.