

G5Twin™

CYLINDER / CONDENSER

FOR REFRIGERANT RECOVERY

OPERATION MANUAL

⚠ DANGER

This unit is not rated for Explosive Environments. Do NOT use with hydrocarbons. See page 4. It is designed to recover Class A1 and A2L refrigerants in normal or standard environments.

⚠ WARNING

TO REDUCE THE RISK OF INJURY OR PRODUCT DAMAGE, READ OPERATION MANUAL PRIOR TO OPERATING PRODUCT.

Welcome to the G5Twin

Thank you for your purchase of the Appion G5Twin Refrigerant Recovery Machine. This machine was designed to deliver fast, reliable recovery of Class III, IV and V refrigerants. Use of this machine for any other purpose is done at your own risk.

Faster refrigerant recovery requires proper training, preparation, and operation. Working with refrigerants under pressure also presents numerous safety risks and hazards.

To safely reach the full potential of this machine, read this manual and all safety material before use.

Table of Contents

Warnings and Safety Information	3-5
Refrigerant Storage Container Safety.....	6
Getting Started	7
<u>Machine Usage</u>	
G5Twin Operational Layout	8
Preparing for Operation	8
Standard Recovery Procedure	9
High-Speed Direct Liquid Recovery Procedure	10
Standard Recovery with Inline Cooling.....	11
Push Pull Recovery Procedure	12
Purging Non-Condensables from Recovery Cylinders.....	13
Changing Between Refrigerant Types.....	13
Storing the Machine Between Uses	13
<u>Helpful Hints</u>	
Planning Ahead	14
Tips for Maximizing Recovery Performance	14-17
Extension Cords and Low Voltage	17
<u>Care and Maintenance</u>	
Screen Cleaning & Replacement	18
Planned Maintenance & Bench Test	18
<u>Specifications and Support</u>	
Troubleshooting Guide	19
G5Twin Specifications, Repair Part Kits & Accessories.....	20
Parts Diagram and Operational Diagrams	21-22
Manufacturers Limited Warranty	23

Warnings and Safety Information

IMPORTANT - READ THIS MANUAL BEFORE OPERATION

This Operation Manual contains important information for your safety and preventing equipment problems. Unsafe operation could lead to serious injury or death to you or others. For best results and safe operation, read this entire manual before operation. Keep this manual in a safe, accessible location during operation.

OPERATOR TRAINING, CERTIFICATION AND RESPONSIBILITY

⚠ NOTICE This machine compresses and pumps liquid and vapor refrigerants at high pressures, which can create dangerous conditions. This equipment is for use by technicians that are professionally trained and certified in the safe handling of refrigerant, and safe refrigerant recovery techniques.

⚠ NOTICE Keep away from children at all times. Do not leave unattended.

⚠ NOTICE Never defeat the safety features of this product. Do not operate with missing, broken, or unauthorized parts. Remove broken or altered equipment from service immediately.

PERSONAL PROTECTIVE EQUIPMENT AND MSDS



⚠ WARNING When working with refrigerants, always use the appropriate Personal Protective Equipment (PPE), including but not limited to **eye and hand protection**. Read all Material Safety Data Sheets (MSDS) for any compounds that you are likely to encounter during operation. Failure to do so could lead to injury or death.

A2L REFRIGERANT SAFETY



⚠ WARNING Due to the mildly flammable nature of A2L refrigerants, it is important to ensure proper technical training prior to recovering these refrigerants. Some jurisdictions may require special licensing or certification before handling flammable refrigerants. Additional regulations or guidelines may be required by your local, state, or federal agencies. Check your local occupational health and safety codes.

Proper precautions should be followed when handling or recovering A2L refrigerants. These precautions include, but are not limited to the following:

- A temporary flammable zone should be created with a 3-meter perimeter around the work area.
- Place “No Smoking”, “Do Not Enter”, and any other appropriate warning signs in the area.
- A CO₂ or dry-powder type fire extinguisher should be available within the work area.
- Use a suitable flammable gas detector to monitor the air in the work area for refrigerant gas concentrations.
- Ensure adequate ventilation of the area.
- Service equipment should be connected to, and disconnected from a power source outside of the flammable zone.
- Properly ground the recovery machine, tank, hoses, system, and other elements to prevent static buildup.
- Do not reset service equipment circuit breaker unless power has been removed from the equipment or the area is free of ignitable concentrations.
- Disable and lock off the power to the system being serviced.
- **Do not mix A2L refrigerants with air.** All precautions must be taken to eliminate mixing of air with flammable refrigerants, including monitoring the recovery cylinder for air content.
- When recovery is complete, purge the system with oxygen-free dry nitrogen (OFDN). Do not use compressed air or oxygen.

Warnings and Safety Information (continued)

A3 REFRIGERANT DANGER



⚠ DANGER Do not use this machine to pump hydrocarbons, including A3 refrigerants. While most refrigerant recovery machines on the market are able to pump hydrocarbon refrigerants such as propane and butane, none of them can do so safely without creating an explosion hazard in the tank.

A significant risk inherent with the recovery of hydrocarbon refrigerants is the potential to accidentally ingest air and pump this air into a tank with hydrocarbons. This compressed hydrocarbon and air mixture within the tank can create an explosion hazard. The accidental ingestion of air can come from many scenarios. These scenarios include but are not limited to faulty system components, improper system installation, improperly purged recovery hoses, worn hose gaskets, and worn recovery machine compressor components.

Industries that work with hydrocarbons avoid these risks by constantly venting air and hydrocarbon vapors while transferring in a pure liquid-only state. The transfer process only stops once the liquid hydrocarbon begins to spray out of the vent port of the receiving tank. This transfer process is the only way to make sure no air or other non-condensables are in the receiving tank.

The procedure explained above is not possible to perform when pumping hydrocarbon vapor with a recovery machine. Since there is no safe way to totally eliminate air being ingested during the recovery process, pumping hydrocarbons with any recovery machine should not be done under any circumstance.

HAZARD: RISK OF EXPLOSION OR FIRE



⚠ DANGER Use of this equipment may pose certain explosion and fire hazards.

WHAT CAN HAPPEN	HOW TO PREVENT IT
Flammable/combustible gases and air may become unknowingly ingested through leaks in hoses, gaskets, connections or leaking seals, leading to compression of these gases. Air and hydrocarbons, if pumped to a tank, create an explosive mixture that random static electricity could ignite.	Do not use in the vicinity of spilled or open containers of gasoline, propane, butane, acetylene, or other flammable gases. Do not use near open sewer lines which may be emitting sewer gases.
Flammable substances may ignite or explode when compressed in certain situations.	Do not use this machine to pump hydrocarbons, including blends containing butane, isobutane, or propane. Hydrocarbons are flammable substances and may ignite or explode when compressed in certain situations.
Improper use of extensions cords may result in overheating or fire in the cord or machine.	Use <u>only</u> 12AWG or 10AWG extension cords: - Up to 25 Feet: 12/3 UL/CSA cord - Up to 100 Feet: 10/3 UL/CSA cord

Warnings and Safety Information (continued)

HAZARD: RISK TO BREATHING (ASPHYXIATION)



⚠ DANGER Air and refrigerants pumped by this machine may pose certain breathing hazards.

WHAT CAN HAPPEN	HOW TO PREVENT IT
Refrigerant vapors may be harmful or toxic when inhaled.	Use only in well ventilated areas. In enclosed areas, mechanical ventilation should provide at least four air changes per hour.
Compressed air from this machine may contain carbon monoxide or toxic refrigerant vapors.	Air from this machine should never be used to supply air for human consumption

HAZARD: RISK FROM MOVING COMPONENTS

⚠ WARNING This machine is equipped with a fan and motor rotating at high speeds.

WHAT CAN HAPPEN	HOW TO PREVENT IT
Debris or other objects may enter the machine housing through the air vents, causing machine damage.	Be sure the area around the machine is free and clear of debris before operating the machine.
Physical damage may occur to body parts, tools, or other objects if inserted into the air vents of the machine while it is running.	Always unplug the machine and ensure that the fan and motor are not rotating before opening the case or inserting any object into the machine.
Damage may occur to the machine and surrounding objects if the machine is dropped while running.	Use caution while moving this equipment, especially during operation.

HAZARD: RISK FROM UNATTENDED OPERATION

⚠ CAUTION Factors affecting operation may change during the recovery process.

WHAT CAN HAPPEN	HOW TO PREVENT IT
As refrigerant recovery is a dynamic process, and often performed in open spaces, factors affecting the operation of the unit may change.	Always remain in attendance with the machine while it is operating. Remain observant to changes in environment, refrigerant pressure and refrigerant temperature.

HAZARD: RISK FROM NOISE



⚠ CAUTION Moving components, high airflow, and pumping refrigerant can all cause noise.

WHAT CAN HAPPEN	HOW TO PREVENT IT
Under some conditions and duration of use, noise from the unit may contribute to hearing loss.	Always wear certified safety equipment, including ANSI or equivalent hearing protection.

Refrigerant Storage Container Safety

⚠ WARNING Use only DOT CFR 49 or UL-approved storage containers for recovered refrigerant.

WHAT CAN HAPPEN	HOW TO PREVENT IT
<p>Refrigerant storage containers may vent or explode when the working pressure of the container is exceeded.</p>	<p>Refrigerant storage containers are designed with different working pressures. Verify that the rating of the storage cylinder is appropriate for the refrigerant being recovered.</p> <p>For R-410a, 4BA400 and 4BW400 are appropriate ratings for refrigerant storage containers.</p>
<p>“80% Shut Off Switches,” also known as Tank Overfill Sensors and Overfill Protection devices, may fail to prevent overfilling of the storage cylinder, leading to venting or explosion.</p> <p>These sensors only cut power to the recovery machine, and do not stop the flow of refrigerant, which may continue due to a siphon, or due to temperature-induced migration.</p>	<p>Do not rely on these switches to prevent overfilling. Only a refrigerant scale can provide an active and accurate measurement of the amount of refrigerant in the storage container.</p> <p>Do not rely on these switches to stop the flow of refrigerant into the container. Only the valves on the recovery machine and on the cylinder can stop the flow of refrigerant into the container.</p>
<p>Refrigerant expands when heated (Diagram 1), and storage containers may vent or explode when filled over 80% capacity.</p>	<p>A refrigerant scale must be used to monitor the amount of refrigerant in the storage container.</p> <p>Be sure to close the valves on the storage container when it has reached 80% capacity.</p>

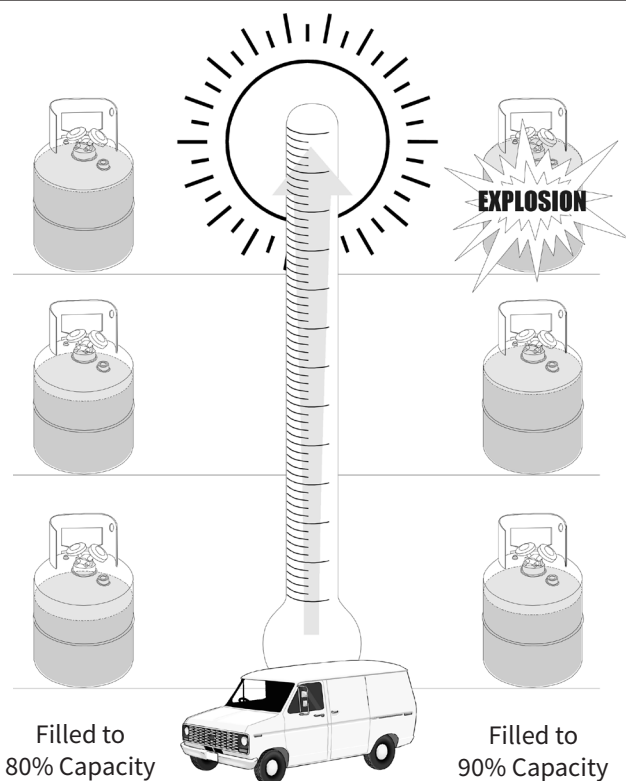


Diagram 1

Overfilled storage containers may explode due to liquid refrigerant expanding when heated.

Transportation of refrigerant storage cylinders more than 80% full is a DOT violation.

Getting Started

⚠ CAUTION Always use a grounded outlet that meets minimum voltage supply requirements for industrial equipment. Do not use with portable power generators.

⚠ CAUTION Always open valves slowly for safety, and to check for leaks.

⚠ CAUTION The G5Twin is equipped with a 550psi (38.6 kg/cm²) pressure shut off switch to protect the machine from damage. This does not prevent overfilling of the storage container. (See Page 6)

ACCESSORY EQUIPMENT

Additional equipment may be used to connect the G5Twin to the system you are recovering refrigerant from. Verify operational details and safety information from the manufacturers of other equipment before use.

- **⚠ CAUTION** A leaking hose may cause venting of refrigerant, and may introduce atmospheric air or other contaminants into the recovered refrigerant. Examine the **gaskets on each hose** to ensure they are intact, checking for any damage or wear that may lead to leaks.
- Use the shortest length of **3/8"-diameter hoses** possible on every connection. **IMPORTANT: Do not use "quick disconnect" or "auto-shutoff" hoses** for refrigerant recovery, as this can bring the recovery to a halt.
- Use **Valve Core Removal Tools** with a ball valve (such as [Appion MegaFlow VCT](#)) to remove all "Schrader"-type access valve cores from the System access fittings. This prevents restrictions that would otherwise limit the performance of the G5Twin and/or cause overheating of the recovery cylinder. See Page 14 for more information.
- The **recovery cylinder** should have extra capacity beyond the amount you intend to recover. For maximum recovery speeds, use a recovery cylinder that is already evacuated (500 microns or better). **Note: New recovery cylinders may not be sufficiently evacuated - always verify before use.**
- Check your **refrigerant scale** with a known weight to ensure that is operating correctly. A malfunctioning scale may not alert you to the amount of refrigerant in the storage container.
- Examine your **external service gauges** for proper operation and calibration of the gauges. Contact the gauge manufacturer for instructions in this process.
- Use a **new inline filter dryer** as shown when pumping dirty refrigerant. Replace the filter dryer after each use. If the filter has exceeded its capacity, this may affect the performance of the machine.
- Use a **sight glass** to verify liquid flow. This can also be useful for troubleshooting purposes. Make sure that the sight glass is in good condition and does not leak.

CHECKING YOUR RECOVERY EQUIPMENT

Before connecting or operating the G5Twin, verify that the G5Twin will be able to operate properly:

- Check that the **debris screen at the inlet fitting** is clean before starting every job. This screen prevents damage to the machine that may get past the inline filter. When pumping dirty/used refrigerant, this screen may quickly clog and slow the process when used without an inline filter.
- Verify the **power source** provides adequate voltage at the machine while it is running (within 10% of the rated power). When using an extension cord, follow the sizing guidelines on Page 4.

Review the information for Care and Maintenance on Page 18 regularly to ensure optimal performance.

Machine Usage

G5TWIN OPERATIONAL LAYOUT

Diagram 2

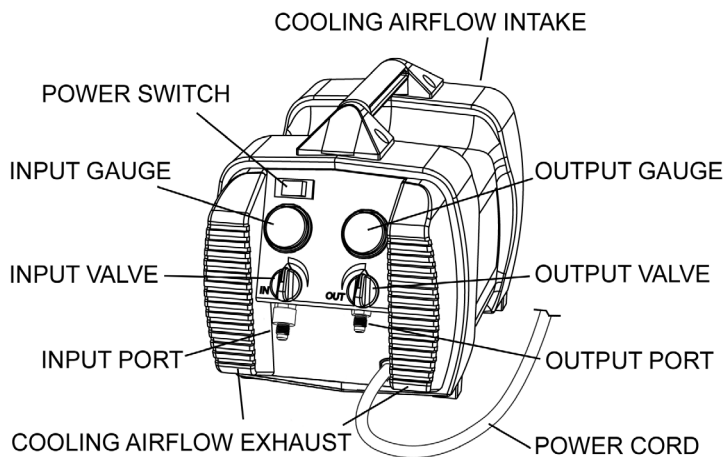
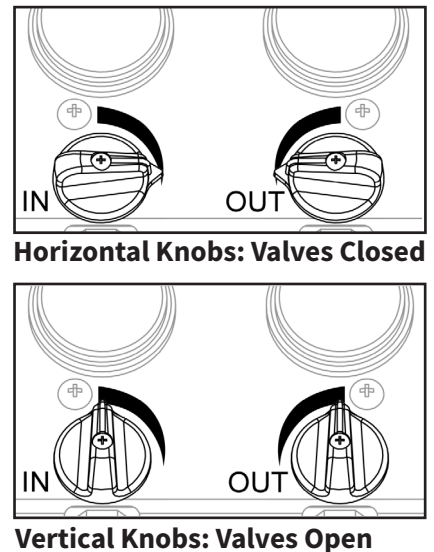


Diagram 3



PREPARING FOR OPERATION

Every recovery procedure starts with the same six basics:

- **Connect** the G5Twin to a **grounded power source** for the proper voltage of the machine (115v/230v). If using an extension cord, follow the cord sizing guidelines on Page 4.
- **Check** the G5Twin to make sure it is operating normally by running the **1-Minute Bench Test** on Page 18.
- **Remove** any **access valve cores** from the AC/R System access fittings with a **Valve Core Removal Tool**;
- **Remove** any **core depressors** from the **hose fittings**. *Do not use “quick disconnect” or “auto-shutoff” hose connections for refrigerant recovery, as this can bring the recovery to a halt. Use only ball valves for low-loss.*
- **Use** the shortest length of **3/8”-diameter hoses** possible on **every** connection. *Even with 1/4” fittings, the larger hose diameter can deliver better performance during recovery.*
- **Purge** the hoses of **non-condensables** as you connect the hoses, as needed, using best practices to minimize any refrigerant release (aka “de minimis”). *Excess non-condensables can cause tank overheating, and may contaminate recovered refrigerant.*

★ **For additional refrigerant recovery tips, see pages 14-17.**

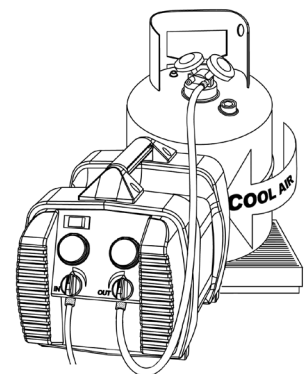
TANK COOLING METHOD (OPTIONAL)

Refrigerant temperature and pressure may increase during the recovery process. In some conditions, additional steps taken to cool the tank can increase the speed and efficiency of the recovery process.

The G5Twin is equipped with a high performance fan. You can use this fan to provide additional tank cooling while you are performing the recovery process.

Place the Recovery Cylinder behind the G5Twin during the recovery process, as shown in **Diagram 4**. This will pull cool air across the tank surface and lower the temperature of the tank.

Diagram 4



Machine Usage

CAUTION To reduce the risk of injury or product damage, read this entire operating manual, with particular emphasis on the Safety and Preparation sections (Page 3-8), prior to operating the G5Twin.

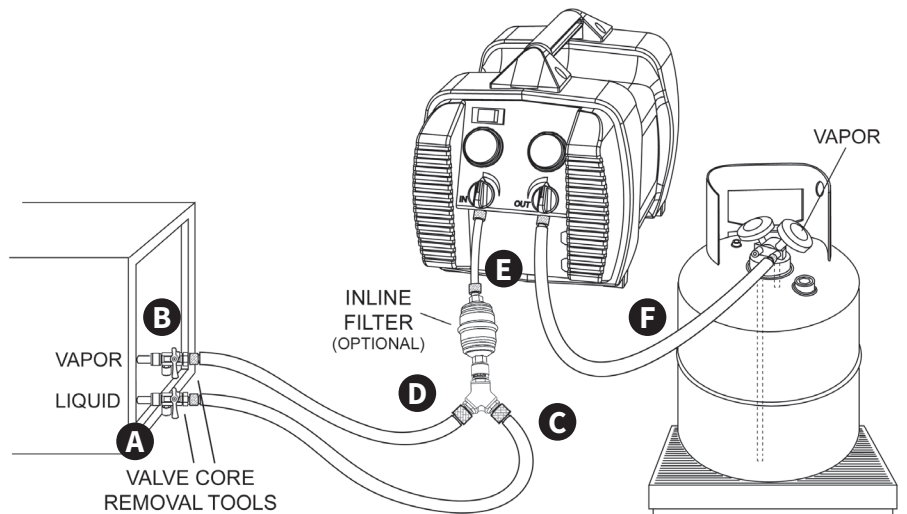
STANDARD RECOVERY PROCEDURE

1. Setup the G5Twin as shown in **Diagram 4** (below). Make sure that all connections are tight.
 - A. Connect a **Valve Core Removal Tool** to othe **AC/R System Liquid Port**.
 - B. Connect a **Valve Core Removal Tool** to othe **AC/R System Vapor Port**.
 - C. Connect the **AC/R System Liquid Port** to the **Y-Connector**.
 - D. Connect the **AC/R System Vapor Port** to the **Y-Connector**.
 - E. Connect the **Y-Connector** to the **G5Twin input port**.
 - F. Connect the **G5Twin output port** to the **Vapor Port** on the Recovery Cylinder.

Diagram 4

Recover into the Vapor Port of the Recovery Cylinder for faster recovery.

OPTIONAL: To improve tank cooling, start with the recovery cylinder upside down, and flip the tank right-side up near the end of the vapor recovery.



2. Open both valves on the G5Twin and open the Recovery Cylinder Vapor Port. **Make sure to completely open the Recovery Cylinder valve to prevent “output restrictions” (See Tip #1, Page 14).**
3. Turn on the G5Twin. The compressor and fan should start.
4. Slowly open the Valve Core Removal Tool ball valve on the liquid port. **Removing liquid first will keep recovery time to a minimum, and improve cooling properties of the recovery cylinder. NOTE: Overheating or slow recovery speeds may be caused by “input restrictions” (See Tip #2, Page 14).**
5. When all the liquid has been removed, completely open the Valve Core Removal Tool ball valve on the vapor port. Both sides should now be fully open to maximize vapor flow.
6. Continue to run the G5Twin until the EPA-required vacuum is achieved.
7. Close both Valve Core Removal Tool ball valves.
8. Turn off the G5Twin, then close the output valve on the G5Twin.
9. Close the G5Twin input valve, close the valves on the Recovery Cylinder, and disconnect the hoses.

Machine Usage

⚠ CAUTION To reduce the risk of injury or product damage, read this entire operating manual, with particular emphasis on the Safety and Preparation sections (Page 3-8), prior to operating the G5Twin.

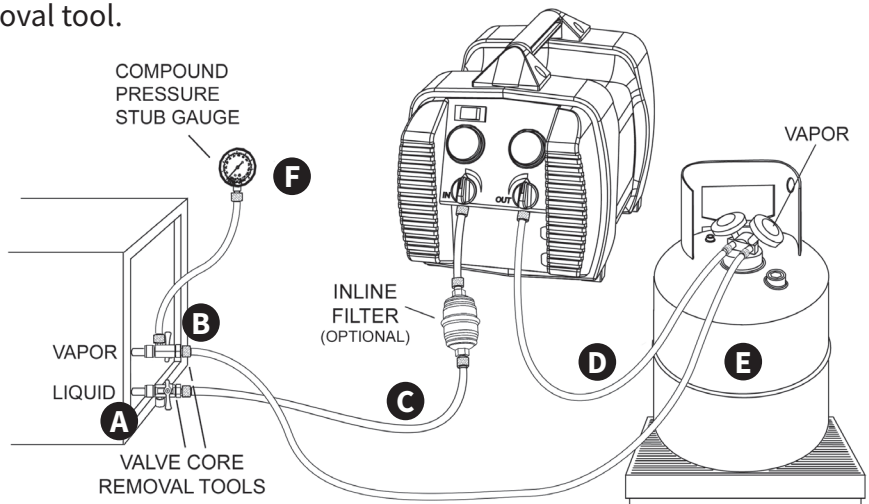
HIGH-SPEED DIRECT LIQUID PROCEDURE

This recovery method allows for the fastest possible “direct liquid” recovery speeds. **To maximize recovery rates**, be sure to follow all of the Preparing for Operation information on Page 8.

1. Setup the G5Twin as shown in **Diagram 5** (below). Make sure that all connections are tight.
 - A.** Connect a **Valve Core Removal Tool** to the **AC/R System Liquid Port**.
 - B.** Connect a **Valve Core Removal Tool** to the **AC/R System Vapor Port**.
 - C.** Connect the **AC/R System Liquid Port** to the **G5Twin input port**.
 - D.** Connect the **G5Twin output port** to the **Liquid Port** on the Recovery Cylinder.
 - E.** Connect the **Cylinder Vapor Port** to the **AC/R System Vapor Port**.
 - F.** Connect a **Compound Pressure Gauge** to the **AC/R System Vapor Port** using a T-fitting or a side-port on a valve core removal tool.

Diagram 5

This recovery method allows for the fastest possible “direct liquid” recovery speeds, although the “vapor” phase of recovery may take a little longer.



2. Close the Valve Core Removal Tool (VCRT) ball valves at both of the AC/R System Liquid and Vapor ports.
3. Open both valves on the G5Twin, and open both valves on the Recovery Cylinder. **Make sure to completely open the Recovery Cylinder valves to prevent “output restrictions” (See Tip #1, Page 14).**
4. Turn on the G5Twin. The compressor and fan should start.
5. Begin liquid recovery by opening both of the VCRT ball valves at the AC/R System access ports.
6. When all the liquid has been removed: close the Recovery Cylinder Vapor Valve.
7. Continue to run the G5Twin until the EPA-required vacuum is achieved.
8. Close both of the VCRT ball valves.
9. Turn off the G5Twin, then close the valves on the G5Twin.
10. Close the valves on the Recovery Cylinder and disconnect the hoses.

🌟 For additional refrigerant recovery tips, see pages 14-17.

Machine Usage

⚠ CAUTION To reduce the risk of injury or product damage, read this entire operating manual, with particular emphasis on the Safety and Preparation sections (Page 3-8), prior to operating the G5Twin.

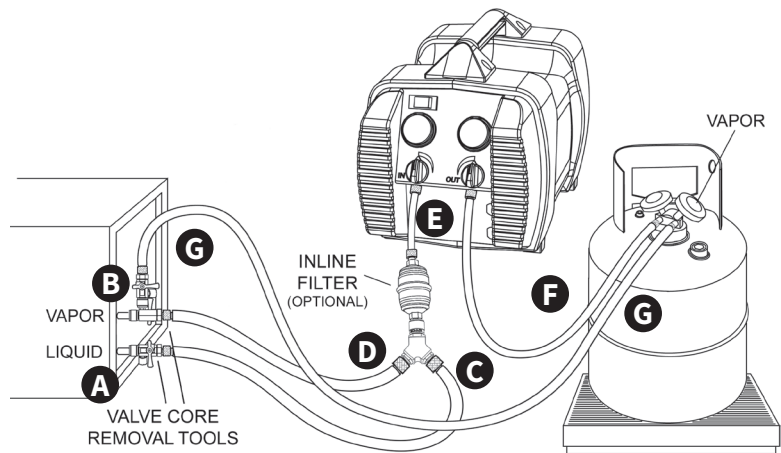
STANDARD RECOVERY WITH INLINE COOLING

This ALTERNATIVE procedure allows the user to switch between the Standard Recovery Procedure and the High-Speed Direct Liquid Procedure during recovery, leading to reduced temperatures and back-pressure from the recovery cylinder. This can be particularly useful with R410A and/or high ambient conditions.

1. Setup the G5Twin as shown in **Diagram 6** (below). Make sure that all connections are tight.
 - A. Connect a **Valve Core Removal Tool** to the **AC/R System Liquid Port**.
 - B. Connect a **Valve Core Removal Tool** to the **AC/R System Vapor Port**.
 - C. Connect the **AC/R System Liquid Port** to the **Y-Connector**.
 - D. Connect the **AC/R System Vapor Port** to the **Y-Connector**.
 - E. Connect the **Y-Connector** to the **G5Twin input port**.
 - F. Connect the **G5Twin output port** to the **Liquid Port** on the Recovery Cylinder.
 - G. Use a **Valve Core Removal Tool** to remove the valve core from the side-port of the valve core tool on the **AC/R System Vapor Port**. Connect the **Cylinder Vapor Port** the valve core removal tool.

Diagram 6

This method allows the user to switch between Standard Recovery and High-Speed Direct Liquid, which can cool the recovery cylinder as needed.



2. Open both valves on the G5Twin. Open the Valve core Removal Tool added in Step 1-G and both valves on the Recovery Cylinder. **Make sure to completely open the Recovery Cylinder valves to prevent “output restrictions”** (See *Tip #1, Page 14*).
3. Turn on the G5Twin. The compressor and fan should start.
4. Begin liquid recovery by slowly opening the Valve Core Removal Tool ball valve on the liquid port of the AC/R System.
5. When all the liquid has been removed: close the Recovery Cylinder Vapor Valve, open the Valve Core Removal Tool ball valve on the vapor port of the AC/R System.
6. Continue to run the G5Twin until the EPA-required vacuum is achieved.
7. Close both Valve Core Removal Tool ball valves.
8. Turn off the G5Twin, then close the output valve on the G5Twin.
9. Close the G5Twin input valve, close the valves on the Recovery Cylinder, and disconnect the hoses.

Machine Usage

⚠ CAUTION To reduce the risk of injury or product damage, read this entire operating manual, with particular emphasis on the Safety and Preparation sections (Page 3-8), prior to operating the G5Twin.

PUSH/PULL RECOVERY PROCEDURE

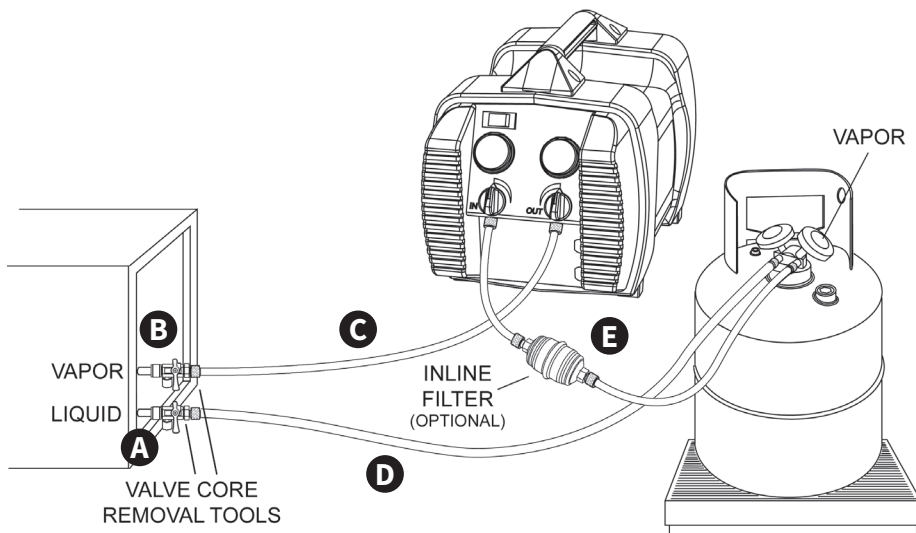
The Push/Pull method induces a siphon from the system directly into the recovery cylinder using the G5Twin. This method is useful for recovering large amounts of liquid from a system. This will only work on large systems where the liquid can be accessed easily. **Do not attempt this on systems that contain less than 15 lbs. of liquid refrigerant** (unless there is a receiver tank), or it may not work correctly.

⚠ CAUTION Once the siphon starts, it can continue to fill the tank even when the machine has been powered off. To avoid overfilling, you must close all valves on the tank and system when finished.

1. Setup the G5Twin as shown in **Diagram 7** (below). Make sure that all connections are tight.
 - A. Connect a **Valve Core Removal Tool** to the **AC/R System Liquid Port**.
 - B. Connect a **Valve Core Removal Tool** to the **AC/R System Vapor Port**.
 - C. Connect the **AC/R System Vapor Port** to the **G5Twin output port**.
 - D. Connect the **AC/R System Liquid Port** to the **Recovery Cylinder Liquid port**.
 - E. Connect the **G5Twin input port** to the **Recovery Cylinder Vapor port**.

Diagram 7

The Push/Pull recovery method induces a siphon to move large amounts of liquid directly from the system to the recovery cylinder.



2. Slowly open both valves on the G5Twin.
3. Turn on the G5Twin. The compressor and fan should start.
4. Slowly open the valves on the tank and system. The liquid should now begin to be pulled out of the system. You can monitor the progress with an inline sight glass. **Make sure to completely open the Recovery Cylinder valves to prevent “output restrictions” (See Tip #1, Page 14).**
5. When all the liquid has been siphoned off, turn off the G5Twin and close all the valves.
6. You can now proceed to remove the remaining refrigerant vapor using the Standard Recovery Procedure (Page 9).

Additional Machine Usage

PURGING NON-CONDENSABLES FROM RECOVERY CYLINDERS

In the event that the Recovery Cylinder pressure is higher than expected, or if the recovery process seems slower than usual, use an external gauge (not the gauge on the G5Twin) and a Refrigerant Pressure/Temperature chart to check for the presence of non-condensable gases in the cylinder.

You can bleed/purge non-condensables into another cylinder following this procedure:

1. The Recovery Cylinder must remain undisturbed for at least 24 hours for the non-condensables to rise to the top of the cylinder.
2. Through a Manifold Gauge Set, connect the Recovery Cylinder Vapor Port to the Vapor Port of a second recovery cylinder.
3. Consult a Refrigerant Pressure/Temperature chart, and check the temperature of the Recovery Cylinder to determine what the pressure should be.
4. While the pressure is higher than the pressure on the chart, slowly open the Vapor Port to bleed off excess pressure until it is about 5 psi (0.35 Kg/cm²) above the pressure listed on the chart.
5. Close the valves and let the cylinder stand still for 10 minutes. Repeat if necessary.

⚠ NOTICE The US EPA only allows purging if done into a secondary cylinder. Once a recovery cylinder has refrigerant inside, it may never be opened directly to atmosphere.

CHANGING BETWEEN REFRIGERANT TYPES

Appion refrigerant recovery machines are unique in that there is no refrigerant directly introduced into the compressor crankcase. This allows the G5Twin to easily and efficiently clear out refrigerant at the end of the recovery process. However, *as with all recovery machines*, trace refrigerant vapors may remain and should be cleared out when switching between different types of refrigerant.

When you are changing between refrigerant types, any refrigerant remaining in the recovery machine should be drawn into a deeply evacuated recovery cylinder before switching. Then, to prevent any cross-contamination, it is recommended that a vacuum pump be connected to the output port of the G5Twin (*keep the Input Valve closed and the Output Valve open*), and run the vacuum pump to completely evacuate the machine of any trace refrigerant vapors.

STORING THE MACHINE BETWEEN USES

When storing the machine between recovery jobs, trace refrigerant vapors can continue to wear on the internal components of the machine. If the machine is fully sealed (closed valves or port covers), storing the machine in a hot truck can cause the trace vapors to expand and wear on the components further.

To minimize wear during storage, leave both valves on the G5Twin open. You can use port caps/covers to protect the machine from dirt, but make sure they do not have an airtight seal.

Helpful Hints

PLAN AHEAD

In just a few years, refrigerant recovery has come a long way. At first glance, it's simply the process of taking refrigerant out of a system and putting it into a storage tank. However, this simple process can rapidly become difficult and time consuming if a few things are overlooked. What follows are some notes and guidelines that we have learned over the years that can help you save time and make the job easier.

The first thing you need to do is determine the quantity and type of refrigerant that is being used in the system you are working on. Use a tank that is DOT approved for the high pressures that are present with R410a. If the system is a burnout, you will need to use a special tank marked as containing burnout and other unidentified gases and you must use extra filtration before recovery. This extra filtration is to protect your equipment from corrosion caused by acids that may be present.

If the gas in the system is fairly clean or new, then you should use a clean, new tank. If the refrigerant is going to be reclaimed, or you are going to put the refrigerant back into the system when you are done servicing it, then you should use a tank with the same type of refrigerant in it. One note of caution: If you use many different gases and you only own a single tank, you're asking for trouble with the Environmental Protection Agency (EPA). You should own at least one tank for every type of refrigerant that you will service, and a spare tank for unknown gases and burned out systems.

TIP #1 Output Restrictions: Loud Recovery & High Pressure Shutoff

It is a common belief that recovering liquid refrigerant will always be “noisy.” However, the “hammering” or “knocking” sound associated with recovering liquid can often be caused by output restrictions, which is any flow restriction between the recovery machine and the interior of the recovery cylinder. If the G5Twin is **excessively noisy during liquid recovery**, check for, and remove, any output restrictions.

Another common symptom of output restrictions is the recovery machine intermittently shutting off on high pressure, but resets on its own after the output pressure quickly drops in a short time. If the G5Twin **shuts off on high pressure but the output pressure quickly drops**, check for, and remove, any output restrictions.

Prolonged pumping against output restrictions not only slows the recovery process, but the increased load can accelerate the wear of your recovery equipment. This wear can be seen with damaged output gauges, electrical component failure, and slower performance on the bench test (*see Page 18*).

Remove Output Restrictions to Maximize Recovery Performance:

To improve recovery performance, and prolong the life of your equipment, take the time to remove these typical output restrictions before you start:

- Remove core depressors from all of the hose fittings (they block up to 50% of the flow) - *See Tip #4*
- DO NOT USE refrigerant charging hoses with “quick disconnect” or “auto-shutoff” fittings
- Make sure that the recovery cylinder valve is completely opened
- Discard of used/worn hoses with deteriorating inner linings

TIP #2 Input Restrictions: Slow Recovery & Hot Recovery Cylinders

For the fastest recovery speeds, it is necessary to pump out the liquid first. Using the Direct Connection procedures in this manual, on a typical system, you *should* expect the “liquid recovery” stage to move *the bulk*

Helpful Hints (continued)

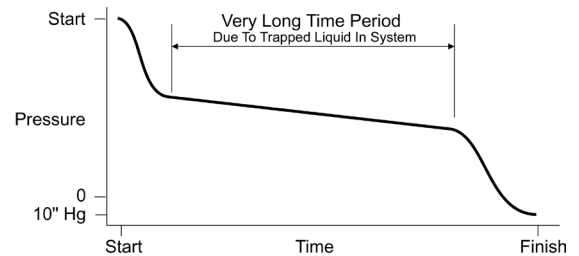
of the entire system charge as liquid - this means it should go very quickly for most of the recovery process (in most larger systems, this could be over 90% of the refrigerant charge).

However, if you observe **hot recovery cylinders**, or **very slow recovery** after only moving a few pounds of refrigerant, then you **likely have input restrictions**. You may further confirm input restrictions by checking for **frost or condensation** at each hose/port connection between the AC/R System and the recovery machine (e.g., the system access port, or the inlet fitting to the recovery machine). Input restrictions can cause liquid refrigerant to get trapped behind the restriction, causing recovery to be slower than the expected vapor rate (see *Diagram 8*), and unexpectedly adding heat to the recovery cylinder.

What Happens With Input Restrictions:

Input restrictions will greatly slow down refrigerant recovery by preventing the full “liquid flow” from reaching the recovery machine. The pressure drop caused by the recovery machine triggers a liquid-to-vapor expansion at the point of restriction, which drops the temperature of the liquid refrigerant at the restriction. As the point of restriction continues to get colder, the vapor pressure drops, slowing the vapor flow. Pretty soon, the recovery machine is only receiving a reduced flow of vapor that is now picking up ambient heat and adding it to the heat of compression. All of this heat is sent along to the recovery cylinder, quickly raising the recovery cylinder temperature.

Diagram 8



Efforts to cool a cylinder are more effective when there is liquid refrigerant, as the liquid aids in transferring heat through the cylinder walls to the “bucket of ice” or cooled airflow. However, if contents of the tank are mostly vapor, efforts to cool the tank (e.g., airflow, ice) could be less effective than expected.

Remove Input Restrictions to Maximize Recovery Performance:

For the fastest recovery times, take the time to address these typical input restrictions before you start:

- Remove core depressors from all of the hose fittings (they block up to 50% of the flow) - **See Tip #4**
- DO NOT USE refrigerant charging hoses with “quick disconnect” or “auto-shutoff” fittings
- Remove “Schrader”-type access valves using a Valve Core Removal Tool - **See Tip #4**
- Discard of used/worn hoses with deteriorating inner linings

With a full flow of liquid refrigerant, the G5Twin will quickly fill the recovery cylinder with cool liquid. Once the liquid recovery is complete, the remaining vapor will be pumped into a cooler tank, resulting in lower final temperatures and faster overall recovery speeds.

TIP #3 External Cooling Accessories Between Recovery Unit & Cylinder

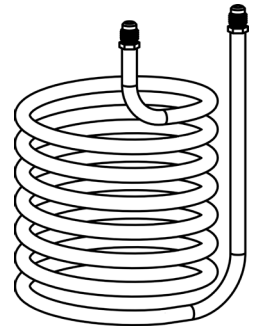
Recovering large amounts of vapor (especially on a hot day) can increase the temperature of a recovery cylinder, and the resulting increased back-pressure can further slow the vapor recovery process. In situations like these, cooling the recovery cylinder and/or using an External Cooling Accessory (ECA) in a bucket of ice water can cool off the tank and speed up the recovery process. **For maximum recovery speeds**, pre-cool the recovery cylinder (and/or the ECA) by placing it in a bucket of ice water at least 30 minutes prior to beginning the recovery process. The longer the cylinder is cooled, the better.

Helpful Hints (continued)

How to Make an External Cooling Accessory:

Making an ECA uses the same tools as you would use when installing an AC/R system. You will need 50 feet of 1/2" (OD) copper tubing, and two (2) 3/8" FL Service Valves. Connect the service valves to each end of the copper tubing with solder using industry practices. Then, coil the tubing around a pipe or round object of at least 8" inches in diameter, and maintaining about 1/8" spacing between each coil. Leave about 2 feet of the copper tubing straight, and bend it upwards, so that both extend above the "coiled area," as in *Diagram 9*. Prior to using the ECA, verify pressure and vacuum tightness using the same methods as on an AC/R system.

Diagram 9



Alternative: A 50 foot, 1/2in (OD) copper Immersion Wort Chiller with two (2) 3/8in FL service valves fitted to the ends of the copper tubing can also be used in place of making your own.

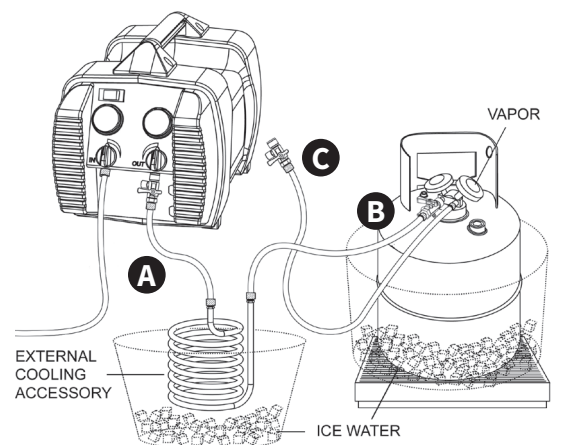
How to Use an External Cooling Accessory:

Using a 5-gallon bucket (or equivalent container), submerge 50% of the ECA in water before adding ice. Continue to add ice until the ECA is submerged below the ice by at least 3 inches. This will help keep the ice water cooled as the heated vapor travels through the ECA.

Important: If the ice melts, replenish the ice as needed to maintain maximum cooling throughout the recovery process.

Connect the ECA and hoses equipped with ball valves as shown in *Diagram 10*. Submerge the ECA in a bucket of ice water (as described above). Close the ball valve on Hose "C", and open the ball valves on Hose "A" and Hose "B", as shown in *Diagram 10*. Proceed with the Standard Recovery Procedure as described on **Page 9**, starting from Step 2, and continuing through Step 9 (substitute the Recovery Cylinder Liquid Port in Step 2).

Diagram 10

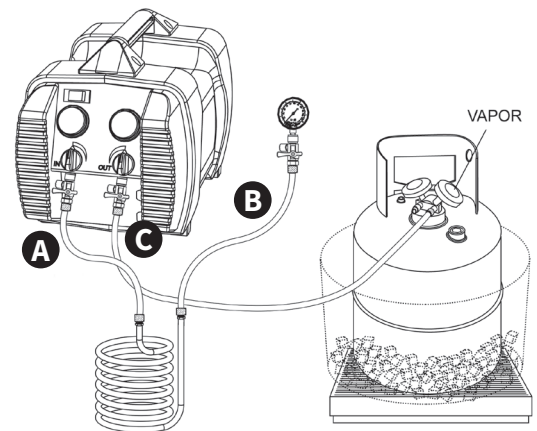


WARNING: After recovery is complete, the ECA and Hoses A, B and C will contain high pressure refrigerant.

To recover the residual refrigerant from the ECA:

1. Close the G5Twin output valve, Recovery Cylinder liquid valve, and the ball valve at the end of Hose "A".
2. Disconnect the hoses from the G5Twin input/output.
3. Connect the hoses as shown in *Diagram 11*.
4. Open the G5Twin output valve, Recovery Cylinder vapor valve, and all 3 ball valves.
5. Repeat Steps 6-9 from Page 9 to finish the recovery.

Diagram 11



Helpful Hints (continued)

TIP #4 Remove Restrictions at the Valves, Fittings & Hoses

AC/R Systems are generally not designed specifically for the recovery process, and this is reflected in the wide use of 1/4" access valves with "Schrader"-type valve cores. These valve cores block about 90% of the flow through the access port, and require the use of core depressors in the hose fittings, which in turn block about 50% of the flow. When left in during the recovery process, both of these items can significantly restrict the flow of refrigerant, making the recovery process take **up to six times longer** to complete.

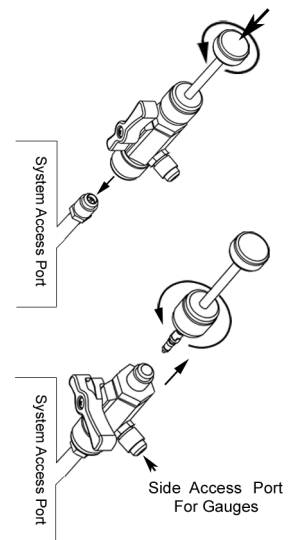
Use a Valve Core Removal Tool to remove these valve cores while leaving the system seal intact, as shown in **Diagram 12**. These tools are available from your local wholesale distributor. Core depressors in the ends of the hoses should be removed as well. [See Page 20 for ordering info.](#)

Diagram 12

Use ball valves and open-ended hoses. Another common restriction is found in charging hoses that have "Quick Disconnect, Low Loss" fittings. These fittings use a restrictive internal check valve to limit venting when disconnecting the hose from the system. While these may be useful in charging setups, they restrict the flow of refrigerant, and are not ideal for use in refrigerant recovery.

Use the shortest length of 3/8" hose for fast recovery. The length and diameter of the hose can also impact the recovery speed. Even when recovering through 1/4" fittings, the larger diameter hose will allow for greater vapor flow, and greatly reduce the time needed for the recovery process. [See Page 20 for ordering info.](#)

Imagine trying to drink water through a 1/4-in., 3-ft. long straw. Now pinch the end closed a little bit, and you get an idea of the kind of work your recovery machine is trying to accomplish. Using larger hoses without any restrictions will make it easier on your machine and allow you to finish the job much quicker.



TIP #5 Extension Cords and Low Voltage

Recovery machines will work best when the voltage at the machine (while it is running) is about 100-105% of the rated power (115v-122v or 230v-240v). A lower voltage can cause difficulty in starting against high pressures. If you have low voltage source power, you may need to relieve the back pressure on the unit to allow it to start.

Check that the voltage coming from the source outlet is adequate. Please note that the circuit could have many other items on it e.g. light fixtures, appliances, or other motors. Also, recovery equipment is used primarily in the hot summer months when supply voltage can be at the lowest point of the year due to the demand from A/CR equipment operating at peak conditions. These factors may cause a lower voltage and reduced performance.

Likewise, long and thin extension cords starve the motor of necessary voltage and can cause very dangerous overheating of the motor and extension cord. A hot, sunny rooftop can also reduce the ampacity of the extension cord. Refer to the extension cord sizing guidelines on Page 4.

Care and Maintenance

INLINE FILTER DRYERS

Use a new inline filter dryer on the input side of the G5Twin when pumping dirty refrigerant. Refrigerant acts like a solvent and can collect dirt and debris when it is pumped out of a system. Failure to use an inline filter dryer can cause damage to the compressor, and will void the warranty on your machine.

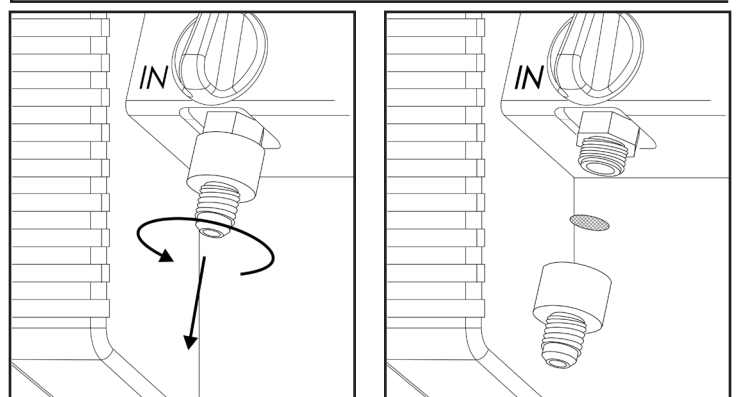
While specifications may vary, most Size 032 filters will not be effective for more than 50 lbs. (22.6 Kg) of refrigerant. Also, once refrigerant has been introduced into the inline filter, it may continue to wear down, and may not have the same effective capacity if used across multiple jobs. Change the inline filter dryer regularly, and consult the filter manufacturer for expected capacity.

SCREEN CLEANING AND REPLACEMENT

The G5Twin is equipped with a debris screen inside the input fitting. This is the last line of defense for the recovery machine against any debris that might make it past an inline filter. For best results it is recommended to clean it before each use. If it becomes worn, replace it immediately.

1. Unscrew Filter Cap from Input Port.
2. Remove screen from Filter Cap.
3. Clean screen and Filter Cap thoroughly. If the screen is worn or damaged, replace it.
4. Check the O-ring that seals the Filter Cap to the Input Port. If it is dry, apply a drop of refrigeration oil. If it is damaged, replace it.
5. Place clean screen into Filter Cap and screw it back onto the Input port.

Diagram 13



PLANNED MAINTENANCE

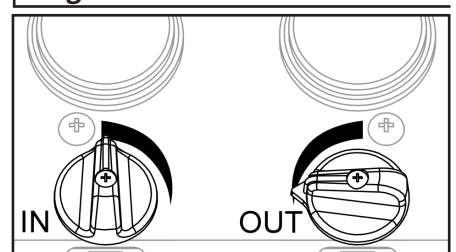
You can use any standard refrigeration oil (mineral is ideal) to scavenge out dirt and debris, and recondition the seals. Run the machine with no hoses connected and both valves open. Using a 1/4" port cap, fill it with refrigeration oil and hold it up against the input port, allowing the G5Twin to suck it in. Place a towel below the output port to catch any oil spray. This is very helpful after recovery of burnout systems, and as regular maintenance depending on the frequency of use.

1-MINUTE BENCH TEST

The following test can be performed to verify that the G5Twin is operating normally:

1. Disconnect any hoses from the machine.
2. With the input valve open and the output valve closed (*Diagram 14*), turn the machine on.
3. Time how long it takes for the unit to pressure up and cut off. The unit should pressure up and cut off at approximately 550 psi (38.6 Kg/cm²) in under 1 minute. Otherwise, the unit may be in need of maintenance or repair.

Diagram 14



Troubleshooting Guide

⚠ WARNING Read all safety information found in this manual and in the Material Safety Data Sheets (MSDS) for any refrigerants used with this machine prior to performing any service on this machine.

SYMPTOM: Machine will not start, no sound when power switch turned ‘On’

CAUSE	SOLUTION
Power cord not plugged in, or no power in outlet	Check power cord, try different outlet
Machine in High Pressure Shutoff	See symptom below
Motor in Thermal Overload	Allow motor to cool down

SYMPTOM: Machine tries to start, makes humming/buzzing sound

CAUSE	SOLUTION
Low voltage at source outlet	Try different power source outlet
Voltage drop in extension cord	See Extension Cord sizing guidelines on Page 4
Too much back pressure on compressor	Try starting the machine with the Input Valve closed to reduce back pressure on compressor

SYMPTOM: Machine pumps into high pressure shutoff

CAUSE	SOLUTION
Valve on machine or recovery cylinder not fully opened	Check that both valves on machine are fully open (pointing upward); Check that the valve on the recovery cylinder is fully opened
Restriction in output hose - See Tip # 1 on Page 14	Check hoses for any blockage; Remove any core depressors

SYMPTOM: Pumps liquid slowly

CAUSE	SOLUTION
Flow restrictions on input side of machine - See Tip # 2 on Page 15	Use 3/8” hoses; Remove “Schrader” valve cores and core depressors
Input Valve on machine not fully open	Check that the blue Input Valve on machine is fully open (pointing upward)
Trapped liquid in system - See Tip # 2 on Page 15	Cycle system compressor for a few seconds to move trapped liquid to another area; Check for condensation on system, and apply heat as needed; Check for condensation at hose fittings, and apply heat as needed

Machine Specifications

MODEL # G5TWIN SPECIFICATIONS

USA Dimensions & Power:

LENGTH	13.75 in
HEIGHT	10.3 in
WIDTH	9.4 in
WEIGHT	24 lbs
POWER	115 VAC, 60 Hz, 10 Amps

Tested to meet ANSI 12:12.01 (Cl.1, Div.2, Gr. D T4A)

International Dimensions & Power:

LENGTH	349 mm
HEIGHT	262 mm
WIDTH	239 mm
WEIGHT	11 kgs
POWER	230 VAC, 50/60 Hz, 5 Amps

Tested to meet ANSI 12:12.01 (Cl.1, Div.2, Gr.D T4A)

G5Twin AHRI Certified Test Results

Per ARI 740-2016 - as of January 2023

	PUSH PULL RATE		DIRECT LIQUID RATE		VAPOR RATE		FINAL RECOVERY VACUUM		REFRIGERANT LOSS, WEIGHT %	RESIDUAL TRAPPED REFRIGERANT	HIGH TEMP VAPOR RECOVERY RATE 104F (40C)	
	kg/min	lb/min	kg/min	lb/min	kg/min	lb/min	kPa	inHg			kg	kg/min
R134a	2.91	6.40	2.56	5.63	0.14	0.31	28.52	21.5	0	0.05	n/a	n/a
R22	5.67	12.91	2.85	7.63	0.20	0.64	51.88	14.6	0	0	0.20	0.44
R32	6.22	14.59	1.85	7.72	0.09	0.20	50.53	15.00	0	0	n/a	n/a
R410A	4.38	9.64	2.20	6.49	0.14	0.44	56.96	13.10	0	0	n/a	n/a

REPAIR KIT ORDERING INFORMATION

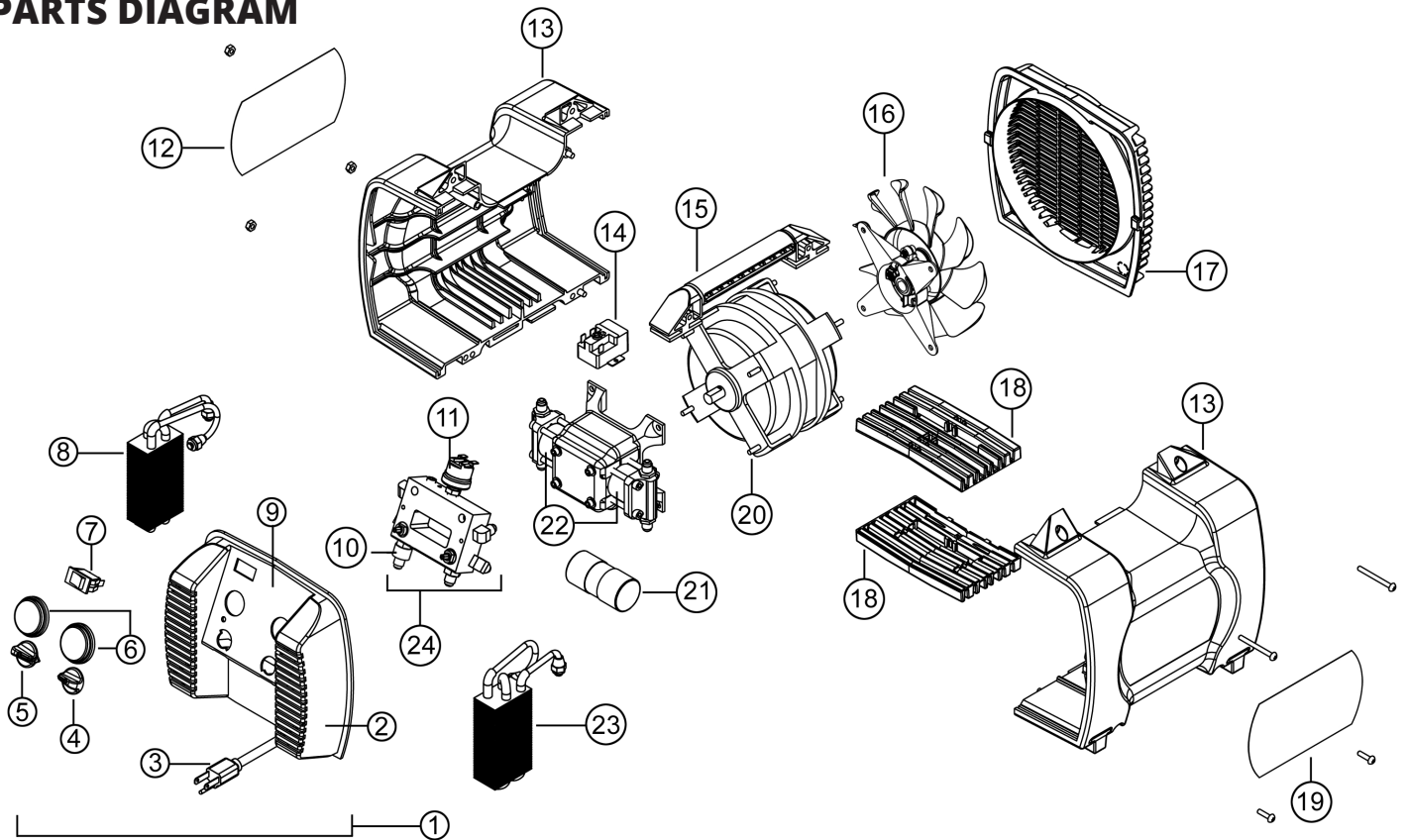
PART NO.	DESCRIPTION (CONTENTS)
KTGA00	2-Pack of 0-700 PSI Gauges
KTG520-R	Compressor Repair Kit (valves, springs, seals, seal o-rings, slide rings)
KTG535	Front Ball Valve Seal Replacement Kit (input/output seals, o-rings)

RELATED ACCESSORY ORDERING INFORMATION

PART NO.	DESCRIPTION (CONTENTS)
MGAVCR	MegaFlow™ Valve Core Removal Tool - 5/16in.
MGAVCT	MegaFlow™ Valve Core Removal Tool - 1/4in.
MH380006AAAY	MegaFlow™ 3/8 in. Hose - 6 ft. (1/4FL to 1/4FL) Yellow
MH380004AAAY	MegaFlow™ 3/8 in. Recovery Output Hose - 4 ft. (1/4FL to 1/4FL) Yellow

Machine Specifications

PARTS DIAGRAM



#	PART NO.	DESCRIPTION
1	AY0050	Front Panel Assembly
2	PL7601S	Front Panel Only w/Labels
3	WR9051	Power Cord - 115v US
3	WR9230	Power Cord - 230v EU
4	PL7011	Output Knob - Red
5	PL7010	Input Knob - Blue
6	KTGA00	0-700 PSI Gauge (2-Pack)
6	KTGA61	PSI & Kg/cm ² Gauge (2-Pack)
7	EL5120	Power Switch
8	CT1760L	Left Side Condenser
9	LB1235	Front Panel Label (Top)
10	KTF645	Inlet Filter Fitting
11	EL5030	High Pressure Switch
12	LB1205	G5Twin Side Label
13	AY0221	Case Side Panel (each)

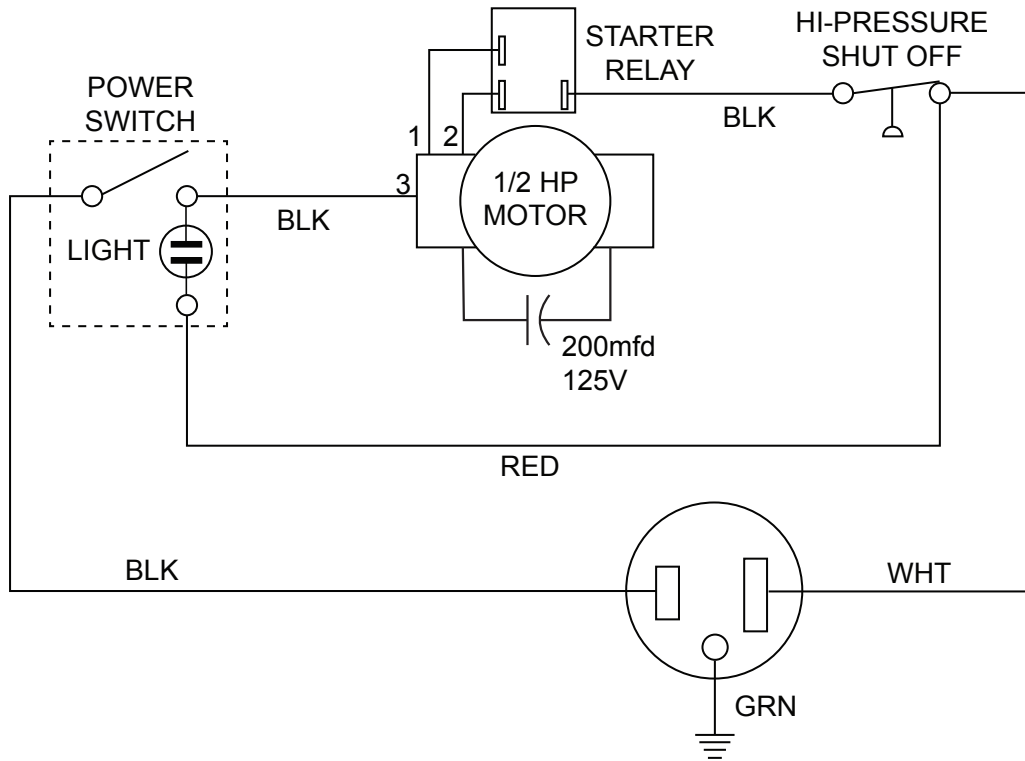
#	PART NO.	DESCRIPTION
14	EL5017	Motor Start Relay - 115v
14	EL5027	Motor Start Relay - 230v
15	PL7000	Case Handle
16	AY0036	Fan Gearbox Assembly w/ Blade
17	PL7602	Case Back Panel
18	PL7625	Motor Support Bracket (each)
19	LB1201	G5Twin Warning Label - 115v
19	LB1262	G5Twin Warning Label - 230v
20	EL5000	Motor - 115v
20	EL5230	Motor - 230v
21	EL5028	Motor Start Capacitor - 115v
21	EL5034	Motor Start Capacitor - 230v
22*	CA1603	Cylinder (each)
23	CT1760R	Right Side Condenser
24	AY0020	Manifold Assembly

* Note: Contact Appion for compressor ordering info - See Page 20 for repair kits

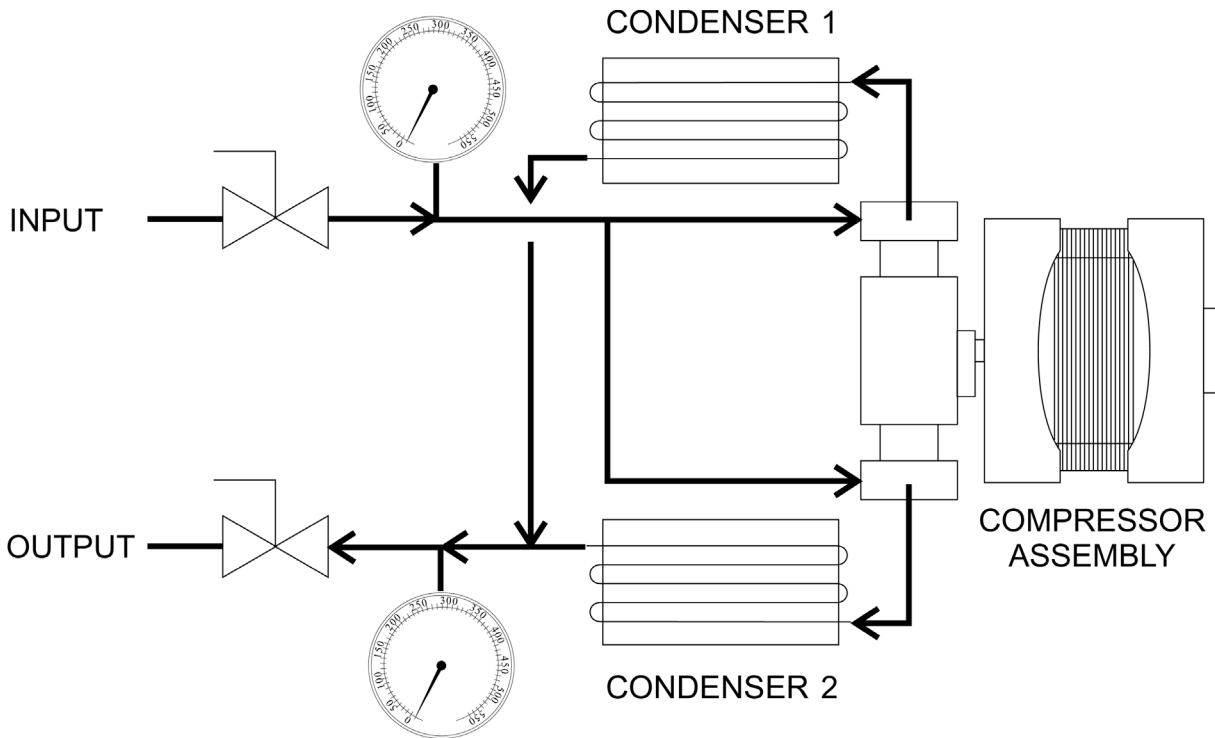
Appion reserves the right to make changes to product and specifications without notice.

Machine Specifications

ELECTRICAL DIAGRAM



REFRIGERANT FLOW DIAGRAM



Manufacturer's Limited Warranty

Appion Inc. (hereinafter Appion) warrants that this equipment will, under normal and anticipated use, be free from defects in materials and workmanship for a period of one (1) year from the date of purchase by Purchaser from an Appion-authorized distributor.

Appion shall be liable to repair or replace the applicable parts during this period, so long that:

- The User of this equipment notifies Appion of the discovery of an alleged defect during the warranty period;
- Purchaser obtains return authorization from Appion during the warranty period (see Page 19 of this Manual);
- Purchaser returns the equipment during the warranty period with all transportation charges prepaid by purchaser;
- Appion's examination of the equipment confirms a defect that is not caused by Purchaser or its agents;
- The equipment has not been modified by Purchaser or its agents; AND
- The defective part(s) are otherwise covered by this limited warranty.

Purchaser may attempt to repair or replace defective parts without risk of voiding this warranty, so long that:

- Purchaser follows all instructions and guidance provided by Appion to perform such repair AND
- Purchaser utilizes only parts obtained from or authorized by Appion in such repair;

Notwithstanding anything contained in this limited warranty to the contrary, this limited warranty shall become null and void upon the use of any improper chemicals, or in the event that modifications or improper service or installation is performed on the equipment.

This limited warranty is applicable only to the first Purchaser when purchased through an authorized wholesale distributor, and no subsequent purchasers of the equipment from Purchaser shall be entitled to any warranty whatsoever from Manufacturer, express or implied.

The obligation of Appion under this limited warranty is limited to the repair or supply of parts, excluding consumables such as oil, grease, and plastic parts. Parts shall be new or nearly new. Appion assumes no liability for failure in performing its obligations thereunder if failure results, directly or indirectly, from any cause beyond its control, including but not limited to acts of God, acts of government, floods, fires, shortages of materials, strikes and other labor difficulties or delays, or failures of transportation facilities.

This warranty constitutes the sole and exclusive warranty of manufacturer with respect to the equipment. There are no other warranties, express or implied, and Appion specifically disclaims all other warranties, express or implied, including (without limitation) any and all warranties as to the suitability or merchantability or fitness for any particular purpose of the equipment hereunder. The exclusive remedy of Purchaser against Appion for any breach of the foregoing limited warranty shall be to seek replacement of the affected parts. In no event will Appion's liability in connection with the equipment which is found to be defective exceed the amounts paid by Purchaser to Appion hereunder for such equipment which is specifically found to be defective. These limitations apply to all causes of action in the aggregate, both at law and in equity, and including without limitation, breach of contract, breach of warranty, manufacturer negligence, infringement, strict liability, misrepresentation and other torts and contractual claims. Except for the exclusive remedy provided above for Appion's breach of this limited warranty, Purchaser, for itself and its successors and assigns, hereby waives and releases Appion from any and all other claims or causes of action they have against Appion on account of or associated with the equipment purchased hereunder or for Appion breach of this limited warranty.

In no event shall Appion be liable for any indirect, special, incidental, consequential or punitive damages, such as, but not limited to, loss of anticipated profits, lost savings, lost revenues, fines, or other economic loss in connection with or arising out of the existence, furnishing, functioning or use of any item of equipment provided under this agreement, even if Appion has been advised of the possibility of such damages and/or such damages are reasonable and/or foreseeable. Further, Purchaser, for itself and its successors and assigns, waives and releases any rights they may have to bring an action arising or resulting from this agreement, regardless of its form, more than fifteen (15) months after purchase of the affected equipment by Purchaser from an Appion-authorized distributor. Some states do not allow the exclusion or limitation of incidental or consequential damages, so the above limitation or exclusion may not apply to you.

The provisions of this warranty shall supersede any contrary provisions contained in this agreement, any document supplied by Appion to Purchaser or by Purchaser to Appion, or any other agreement, written or oral, between Purchaser and Manufacturer, notwithstanding the fact that the provisions contained in this warranty directly conflict with other terms or provisions of this agreement or such other documents, or that such other documents or agreements were provided, delivered, made or executed subsequent to this agreement unless such agreements are in writing, specifically refer to this agreement, and specifically provide that they are amending this and are signed by the President of Appion.

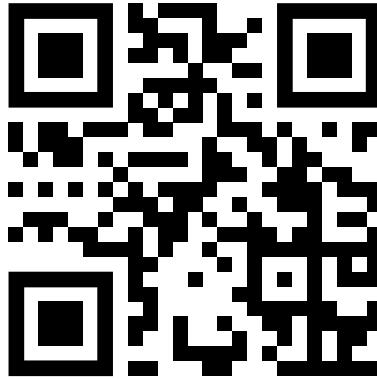
This warranty gives you specific legal rights, and you may also have other rights which vary in certain states or provinces. If any term herein is declared invalid or unenforceable, the validity of the remaining terms shall not be affected thereby.

Appion Inc.
2800 South Tejon St.
Englewood, CO 80110 USA

Tel: 1-303-937-1580

Fax: 1-303-937-1599

www.AppionTools.com
Sales@AppionTools.com
Support@AppionTools.com



Scan QR code to view the manual in additional languages.
Escanee el código QR para ver el manual en otros idiomas.
Scannez le code QR pour consulter le manuel dans d'autres langues.
Scannen Sie den QR-Code, um das Handbuch in weiteren Sprachen anzuzeigen.