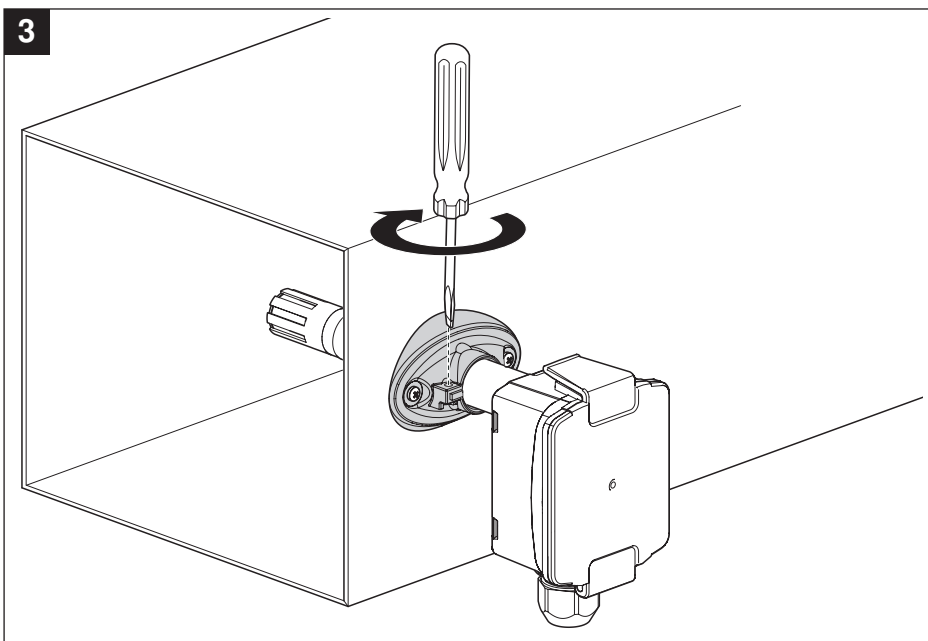
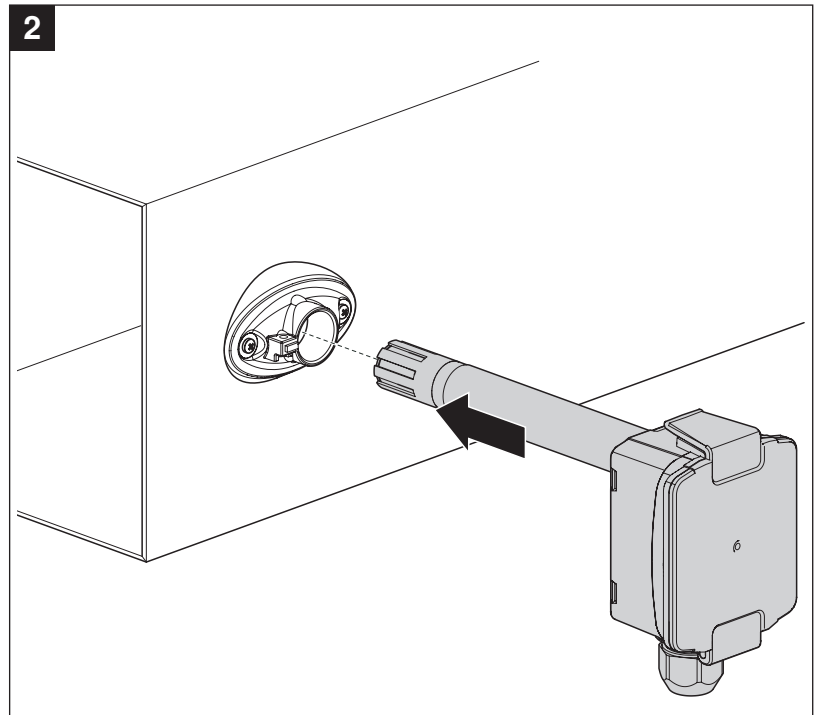
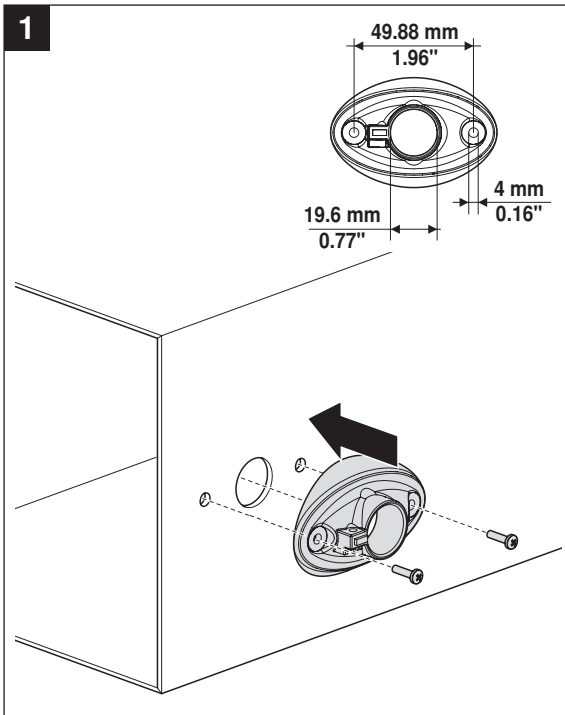
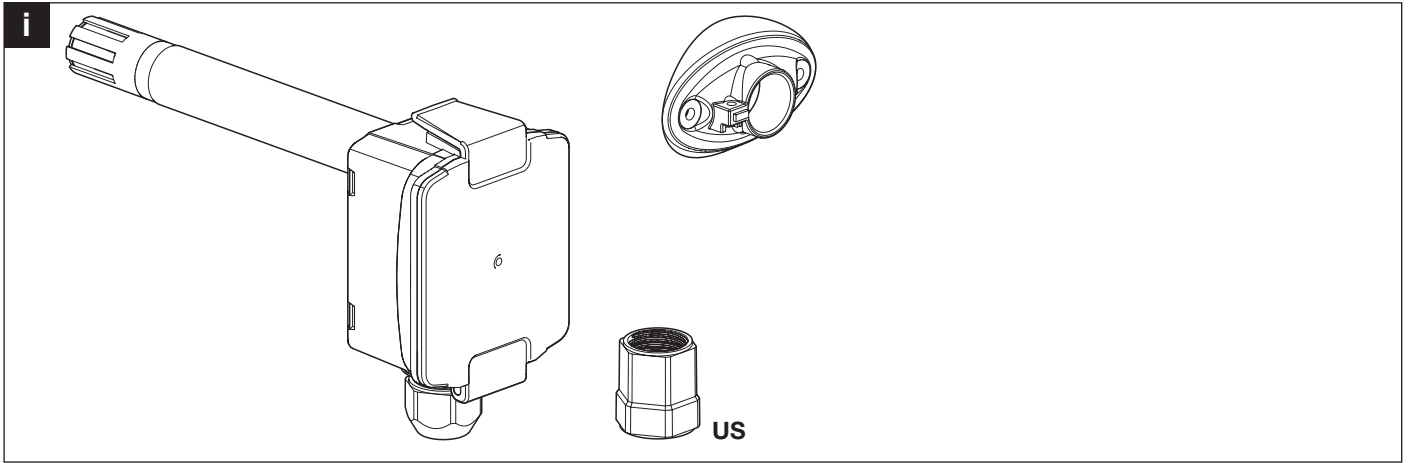
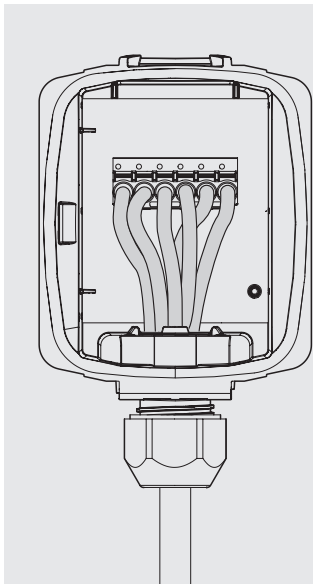
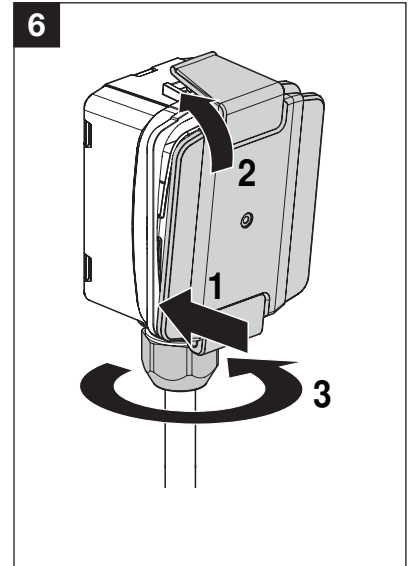
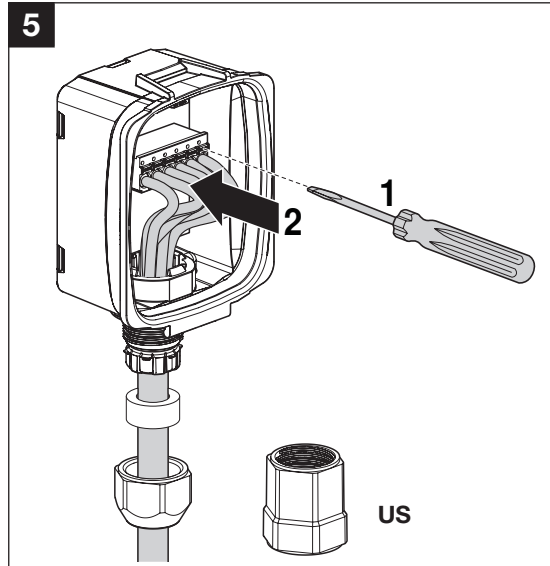
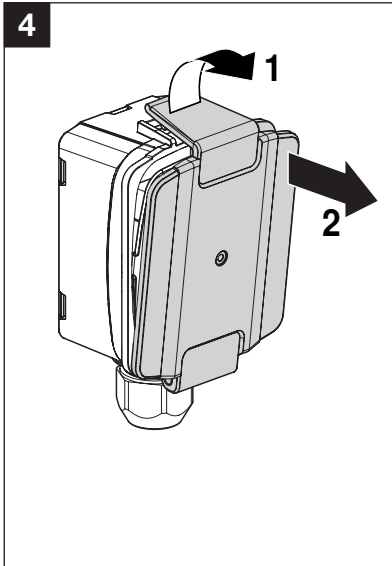
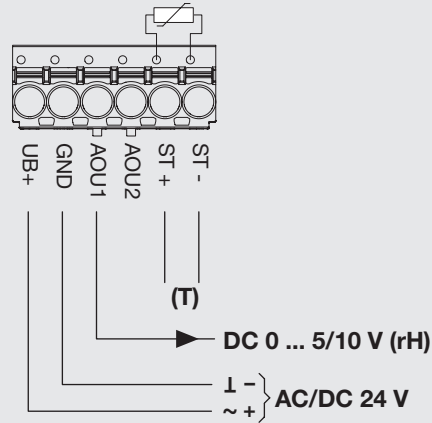


71964-00001.A

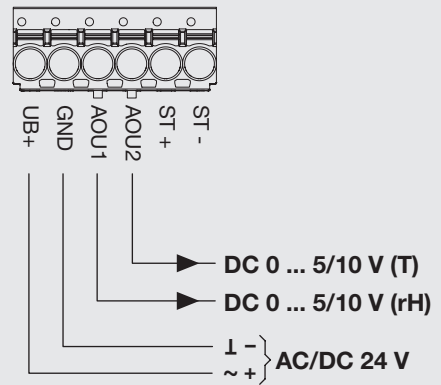




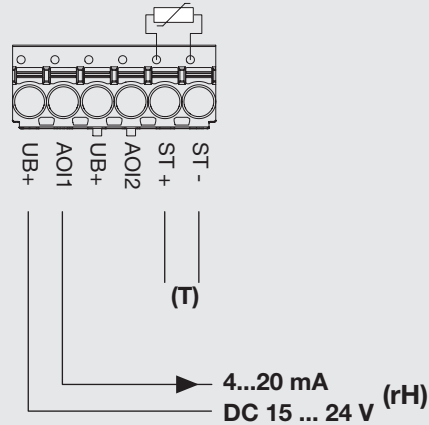
0...5/10 V + ST



2 x 0...5/10 V



4...20 mA + ST



2 x 4...20 mA

