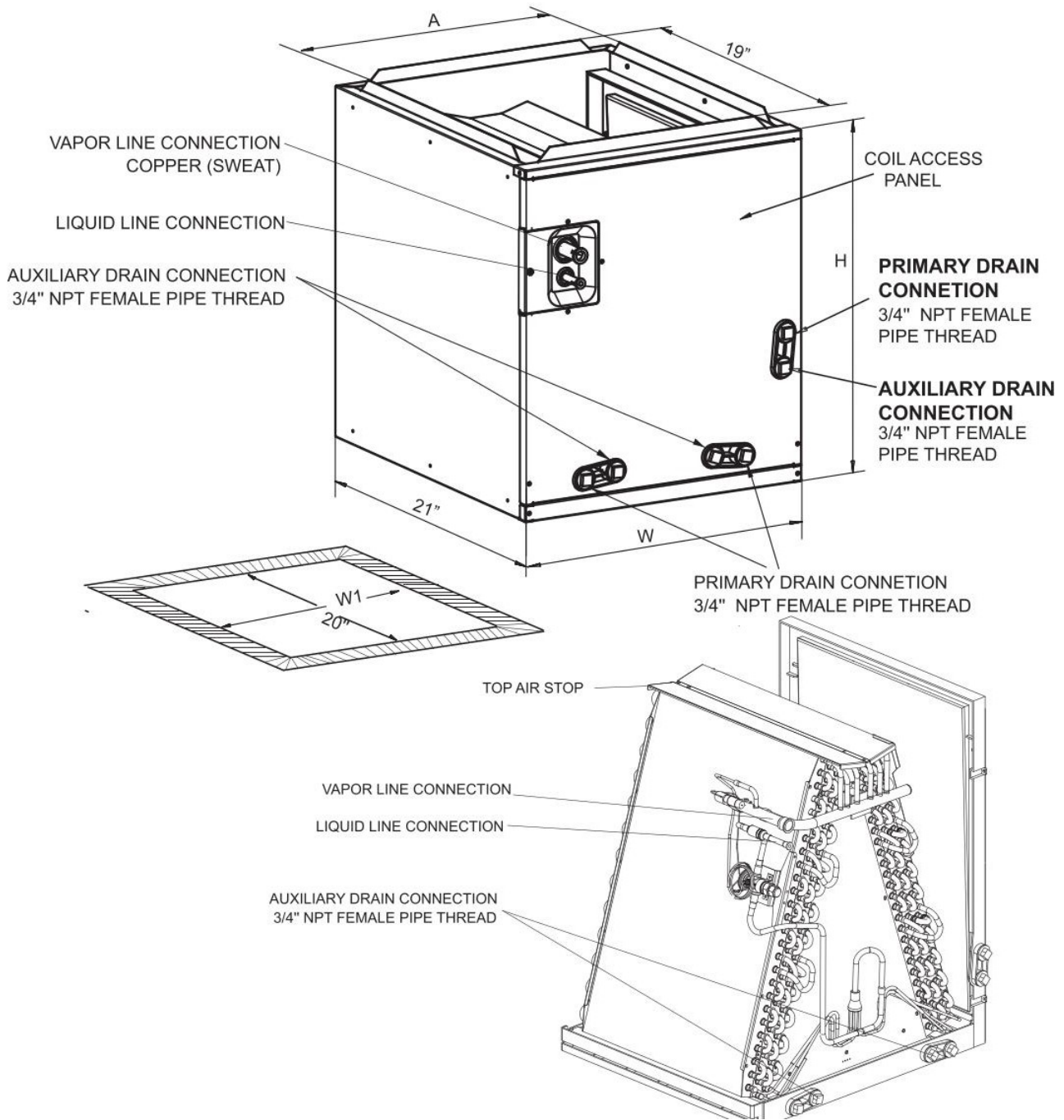


TAG: \_\_\_\_\_

# SUBMITTAL

## Multi-position Cased Coil GNC4860CPT



Model	H	W Dimensions (in.)		
		A	W	W1
GNC4860CPT	30	19½	21	20

## Product Specifications

MODEL	GNC4860CPT
COIL TYPE	All aluminum evaporator coil
Rows	4
Fins per Inch	14
Tube Size	3/8
Metering Device	Factory-installed TXV metering
Applications	Up-flow or horizontal right standard Field convertible to down-flow or horizontal left
Drain Pan	Horizontal and Vertical
Drain Connection Size (in.)	3/4 NPT
Refrigerant	R-410A
Ref. Pipe Connections	Brazed
Liquid Pipe Size (in. O.D.)	3/8
Gas Pipe Size (in. O.D.)	7/8
Dimensions (W X H X D)	21 × 30 × 21
Net Weight (LBS)	82.2
Shipping Weight (LBS)	91.3

### Airflow performance [CFM vs pressure drop]

Model	Pressure Drop (Inches W.C)							
	0.05	0.1	0.15	0.2	0.25	0.3	0.35	0.4
GNC4860CPT	439	699	906	1071	1224	1362	1487	1589

\* Data based on wet coil with entering air at 80FDB/67FWB without air filter.

**NOTE:** Water blow-off could occur if the airflow setting exceeds values below.

Max. airflow setting in up-flow: 1850CFM

Max. airflow setting in horizontal left: 1850CFM

Max. airflow setting in down-flow: 1750CFM

Max. airflow setting in horizontal right: 1750CFM

