

GeneralAire[®] Duct Steam Model 5500 (GFI #5580)

Type	Self contained immersed electrode; drain pump design; ducted. Room steam option also available.
GPD	Up to 28.5
Home Size (Sq. Ft.)	5500
Capacity / VAC / kW	4.9 Lbs / Hr (2.2kg/h) / 115VAC 1-phase 50-60Hz / 1.86 kW - 9.9 Lbs / Hr (4.5kg/h) / 230VAC 1-phase 50-60Hz / 4.05 kW
Power	115V / 230V (Internal Switch) (20 AMP External Circuit Breaker)
Electrode Power Cables	12 AWG
Power Relays	2 - 30 Amp On Board
Ground Connection	Screw
Warranty	5 Years
Unit Size (Inches)	21 H x 13 W x 8.25 D
Weight (Pounds) / Pallet Count	16 / 16
Replacement Steam Cylinder	Model 55 (GFI #7746)
Controls	GFX4 Digital (GFI #7170)
Conductivity Range	125 to 1250 µs/cm
Water Fill Connection	1/4" O.D. Compression Adapter to 3/4" BSP
Water Fill - Instant Flow	0.09 - 0.16 gpm (0.35 - 0.60 l/min)
Input Water Type	Potable water (no demineralized or softened water)
Drain Connection	.75" diameter spout for hose
Drain Water Temperature	< 140° (< 60° C)
Drain Flow	Initial Max drain rate using 1/4" OD supply tubing and full cylinder – approx 1.1 gallons for first 15 seconds of drain cycle (~4.4 gpm (13.2 l/min)). Average drain rate – 3.8 gpm (14.4 l/min) (measured over a one minute period starting with full cylinder).
Steam Distribution	Steam Manifold
Typical Installation	For larger homes up to 5,500 and where family members have allergies, asthma, or other respiratory ailments.
In The Box	Steam Humidifier, GFX4 Automatic Digital Control, Inst. Manual, Mounting Screws, Power Wire Clamps, Mounting Straps, Inst. Kit.



Learn More



Contractor Contact Information



Designed & Assembled
in the USA

Learn More at: www.GeneralAire.com



General Filters
Inc.

43800 Grand River Avenue Novi, Michigan 48375 Toll Free: (866) 476-5101 www.generalair.com

All information subject to change without notice.

Our Brands



Last Updated: 8-2022

Breathe in the Difference

Breathe Healthier®



GeneralAire® Model 5500 Steam Humidifier

Improve Health

Protect Assets

Reduce Furnace Energy Costs

Enhance Comfort

Utilizes Electrode Steam Technology

A Whole-House Humidifier:

- Treats Your Whole House 24 / 7 / 365
- Requires Minimal Maintenance
- Is Out of Sight
- Runs Quietly

1937
1031



General Filters
Inc.

Winter months mean drier indoor air.

When the air in your home is too dry, you know how unpleasant it can be.

Health concerns

The right humidity levels keep your sinuses and throat healthy, reducing the incidents of cold, flu, respiratory infections, allergies, asthma, and bloody noses. Studies show that humidity that's too low contributes to the flu virus surviving longer, while simultaneously increasing its ability to spread from one person to another.

Dry, itchy, cracked skin

Dry air causes your skin to dry, and left untreated can cause anything from minor discomfort to cracked, bleeding skin.

Temperature discomfort

Dry air causes air to feel cooler than it really is, leading you to turn up the thermostat. The result is even drier air and a higher heating bill. Adding humidity saves money.

Damage to your home and assets

Dry air pulls moisture from your home's wood framing, trim, flooring, and furniture. Expensive artwork and musical instruments can become damaged. Dry air causes gaps between ceilings and walls, letting in cold winter air and increasing the cost of your heating bill.

Static shock

When the air is too dry, static electricity begins to build up. This can cause blankets and clothes to stick together and, more importantly, can cause painful electric shocks when you touch a doorknob or another metal surface. Static shocks can damage expensive electronics.

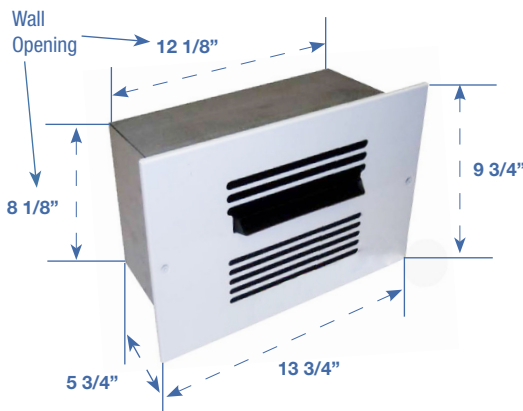
Learn More

Visit www.generalfilters.com to learn more about how adding humidity during winter months can benefit you, your family, your home, and your health.

- humidity that's too low contributes to infectious germs surviving longer, while simultaneously increasing its ability to spread from one person to another.

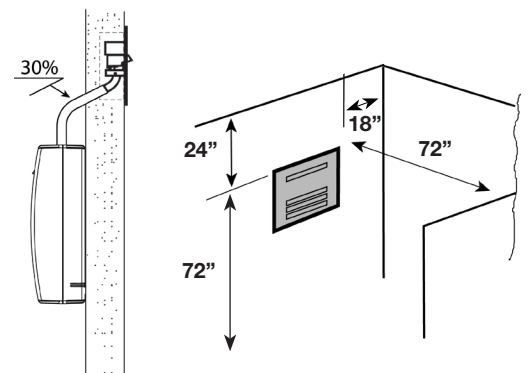
Optional Room Fan Kit

Designed for homes without forced air heating systems. Ideal for homes with radiant or baseboard heat.



The room fan kit delivers humidity directly into a main living space for dispersment throughout your home. The unit is attractive in any setting but can be painted to match wall colors for a more discrete delivery. The GeneralAire® Steam Humidifier Model 5500 with the room fan kit helps to maintain the right humidity levels in your home to minimize the effects of dry air and increase comfort.

- 115V RMB15 (GFI #7665)
- 230V RMB35 (GFI #7660)



GeneralAire® Steam Humidifier Model 5500



Features:

- Electrode Steam Technology
- Internal 115V / 230V Option Switch
- One Cylinder for Both Regular and Low Water Conductivity
- LED Display With Constant Control Diagnostics
- Up to 29 Gallons Per Day (With 230V Power Connection)
- Heavy Duty Metal Mounting Brackets
 - For Stud-to-Stud Mounting
- Effortless Maintenance Through:
 - Single Captive-Screw Cover Release
 - Permanently Affixed to the Cover, the Screw Cannot Be Lost During Cylinder Replacement
 - Spark Plug Style Cylinder Wire Connections
 - Simply "Click" Into Place
- Contemporary Design
- Drain Tempering for Safety



Replacement Cylinder Model 55
GFI #7746
Accommodates Both Regular
& Low Water Conductivity



The 5500 includes our new GFX4 humidistat; utilizing all the same features as the previous GFX3, but also controls the furnace blower motor to deliver greater humidity consistency throughout your home.

The Comprehensive Approach to Indoor Air Quality

Creating a healthy indoor air environment requires a comprehensive approach; one that eliminates harmful pollutants and sources of discomfort in your home. Humidity control, air purification, and particulate removal are equally important components of that plan.

Installing HEPA 400R Air Cleaner filter will remove airborne dust, dust mites, pollen, pet dander, and other airborne pollutants as small as 0.1 microns (a human hair is 75 microns). Easily roll from room to room, where it's most needed.

Contact your local contractor to learn more about how to create a healthier and more comfortable home for you and your family. And visit us at www.generalfilters.com for more on indoor air quality.

