

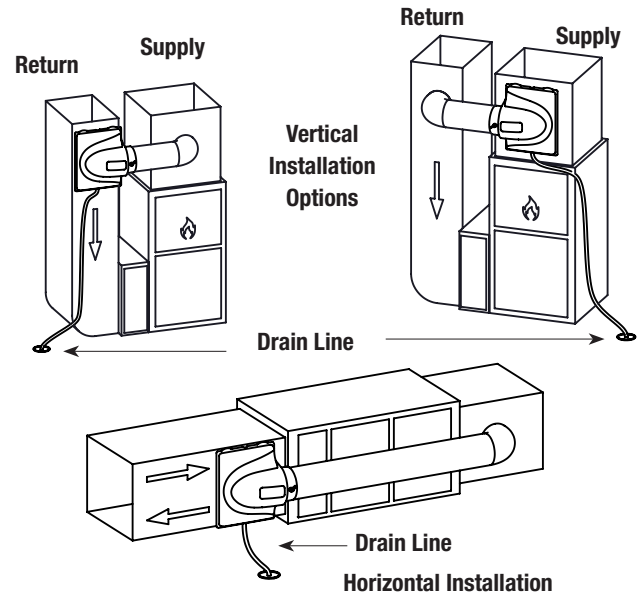
Model 3200 & 4200 Installation Manual

Evaporative Humidifiers
Manual GFI #5800 & #5950
Automatic GFI #5801 & #5951

Please Read And Save These Instructions



Plenum Installation Location: Models 3200 & 4200 humidifiers may be installed on either the return or supply plenum of a forced air handling system. The humidifier's bypass panel is reversible and can be mounted on the right or left side of the humidifier. Select a location for the humidifier that allows for service and maintenance.



CAUTION!

This symbol and the word "CAUTION" indicates:
IMPORTANT INSTRUCTIONS!



WARNING!

This symbol and the word "WARNING" indicates:
IMPORTANT INSTRUCTIONS!

Failure to heed  **CAUTION!** or  **WARNING!** can result in serious injury or death.

Inside The Box

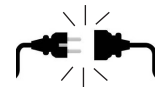
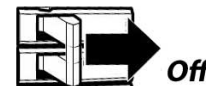
- Humidifier (Model 3200 M/A or 4200 M/A)
- GA10 Vapor Pad® (GFI #7905 For 3200 Models)
- GA35 Vapor Pad® (GFI #7902 For 4200 Models)
- Solenoid Valve Assembly
- Push-to-Connect Tee Valve
- Manual (M Models); Automatic Humidistat (A Models)
- 24V Transformer
- Hardware Kit
- Drain Tube 10'
- Water Supply Tube Kit

Not Included (Contractor Supplied):

- 1/4" Diameter plastic supply tubing for cold water applications, or 1/4" copper supply tubing required for hot water applications
- 6" Diameter rigid or flexible by-pass duct
- Wire nuts



WARNING: DISCONNECT ELECTRICAL POWER BEFORE BEGINNING INSTALLATION.



IMPORTANT: To ensure your safety and the longevity of your unit, we recommend:

- Contacting a licensed contractor to perform maintenance or repairs.
- Changing your Vapor Pad® at the start of each heating season.



WARNING: Do not install where ambient temperatures fall below 32°F / 0°C or where plenum temperatures exceed 200°F / 93°C. For maximum evaporative capacity, install this humidifier on the warm air supply plenum.

Form No. 3200-18 USA REV C



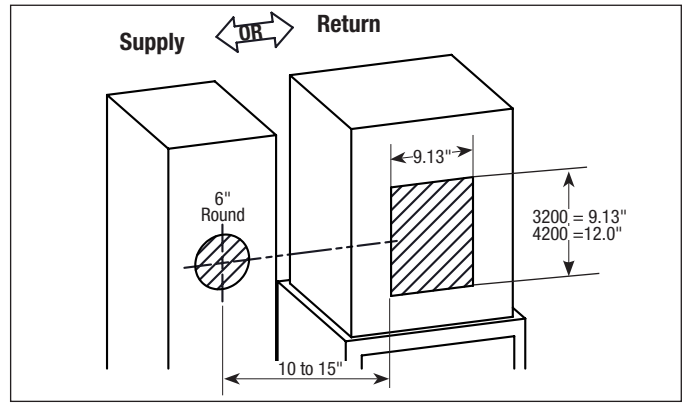
General Filters, Inc.
43800 Grand River Avenue
Novi, Michigan 48375
Toll Free: (866) 476-5101
www.generalaire.com



INSTALLATION

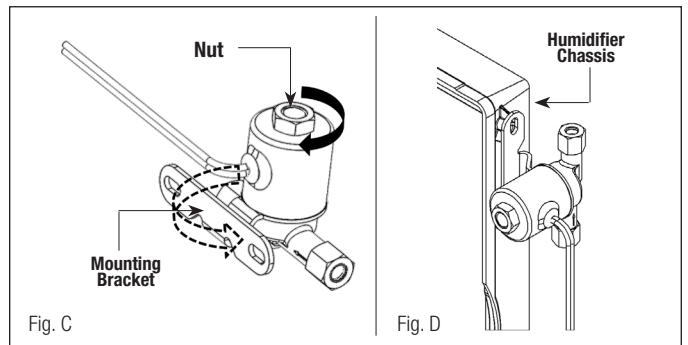
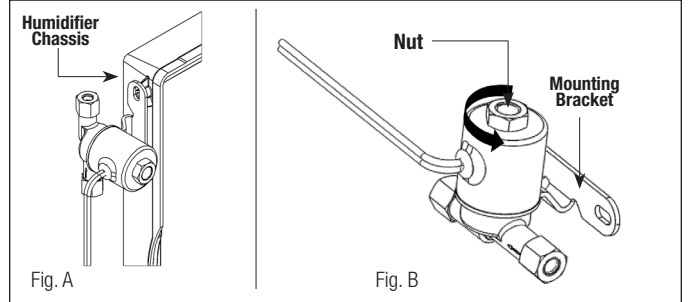
1 CUT HUMIDIFIER AND BYPASS HOLES IN DUCT

Using the supplied template, cut the rectangular opening in the Return or Supply (shown) duct. Cut the 6" round hole in the opposite duct. Locate it 10" to 15" from side of the humidifier, near the cabinet horizontal center line.



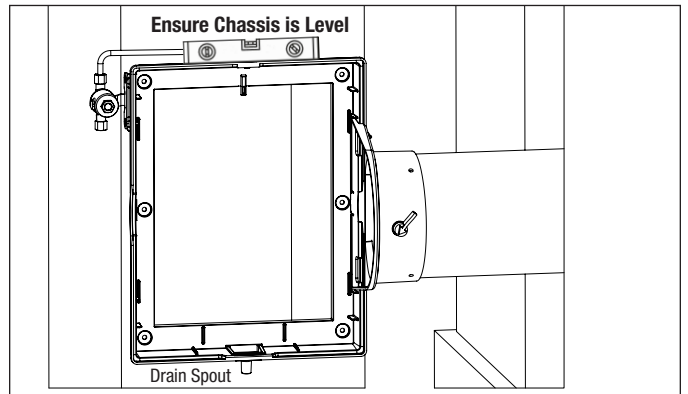
2 OPTIONAL. MOVE SOLENOID BRACKET FOR LEFT SIDE BYPASS:

- I. Remove distribution tube.
- II. Remove solenoid from left side of chassis. (Fig. A)
- III. Loosen nut on top of solenoid - do not remove. (Fig. B)
- IV. Rotate bracket 180°, as shown. (Fig. C)
- V. Re-tighten nut.
- VI. Mount solenoid on right side of chassis. (Fig. D)
- VII. Reinstall distribution tube.



3 MOUNT THE CHASSIS

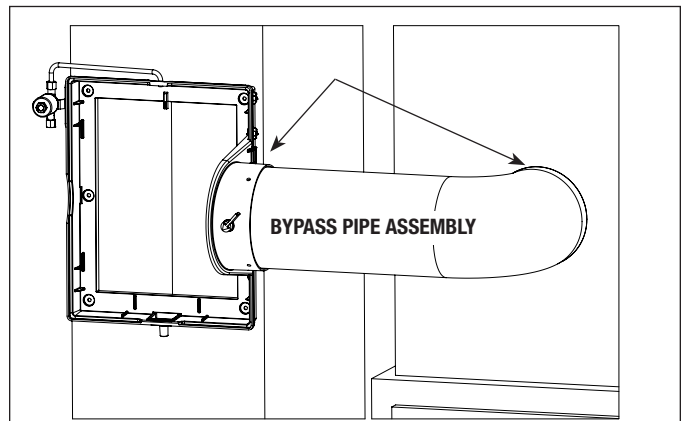
Make sure the bypass panel is aligned with the 6" opening in the duct. Make sure the drain spout is pointing downward, as shown. Level the chassis and install the six mounting screws.



4 MOUNT THE BYPASS

Connect one end of the bypass pipe to the humidifier. Connect the other end to the 6" opening in the duct.

If using flexible ducting, minimize excess length and sag.

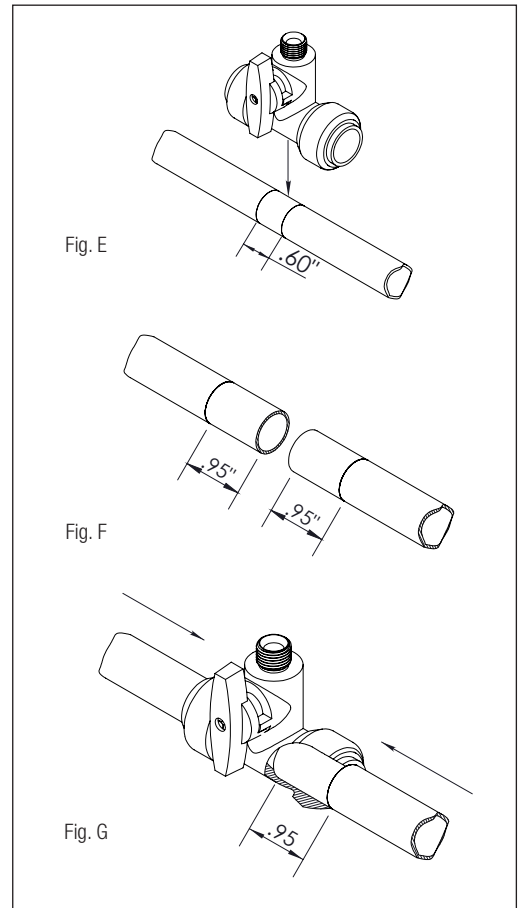


INSTALLATION

5

INSTALL THE PUSH-TO-CONNECT VALVE

- I. Select desired valve location.
- II. Remove 0.6" (15mm) of pipe to account for valve width (Fig. E).
Make sure both pipe ends are square, deburred and clean.
- III. Mark both pipes at the insertion depth, 0.95" (24mm) (Fig. F).
- IV. Firmly insert both pipes into fitting until at full depth.
Verify each pipe is fully inserted. The depth mark will be within 0.005" (0.13mm) of the release collar (Fig. G).

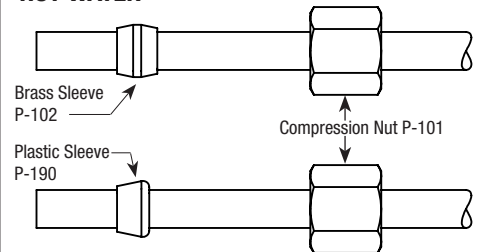


6

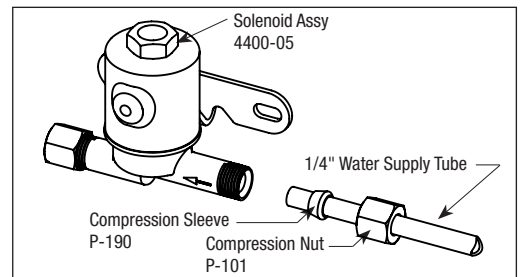
CONFIGURE WATER SUPPLY TUBING

- I. Utilizing copper tubing requires a brass compression nut and brass sleeve.
- II. Utilizing plastic tubing requires a plastic sleeve on the outside with a brass compression nut.

HOT WATER - COPPER TUBING 1/4"



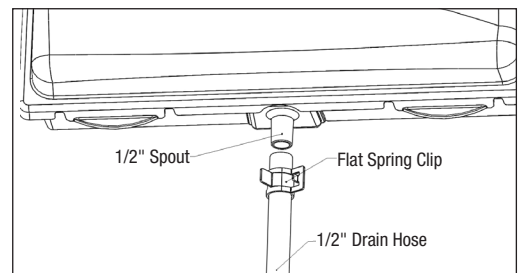
COLD WATER - PLASTIC TUBING 1/4"



7

CONNECT THE DRAIN HOSE

Connect the 1/2" ID drain hose to the spout on the humidifier cabinet using the provided flat spring clip. Run the drain hose to a suitable drain such as floor drain, laundry sink or to a condensate pump (sold separately). Be sure the hose has continuous slope and is not kinked at any point.



INSTALLATION

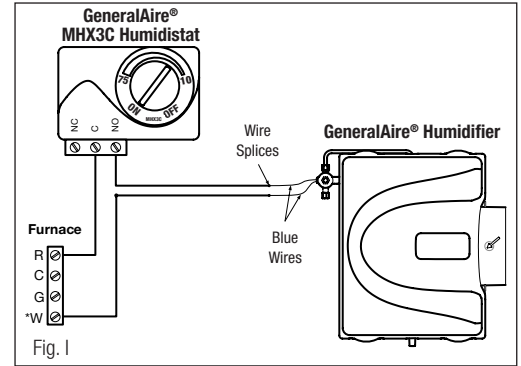
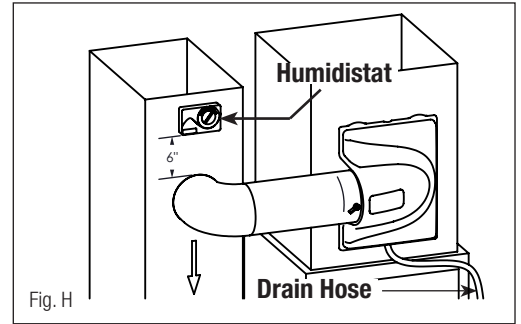
8 INSTALL THE (DUCT OR WALL MOUNT) MANUAL HUMIDISTAT

- I. Mount the included humidistat on the duct (Fig. H) or on the wall.
 - II. Wire the humidifier and humidistat as shown. (Fig. I)
- (Complete instructions can be found in the humidistat package.)

* W Terminal:

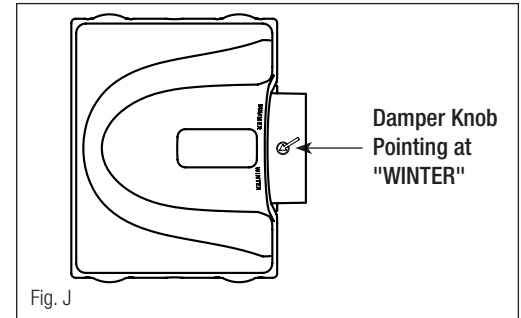
- Some control boards may have a dedicated 24V HUM terminal (confirm with manufacturer literature before installing).
- If 120V HUM terminal is used, please use 24V transformer provided.

⚠ WARNING: ALL WIRING SHOULD COMPLY WITH LOCAL ELECTRICAL CODES.

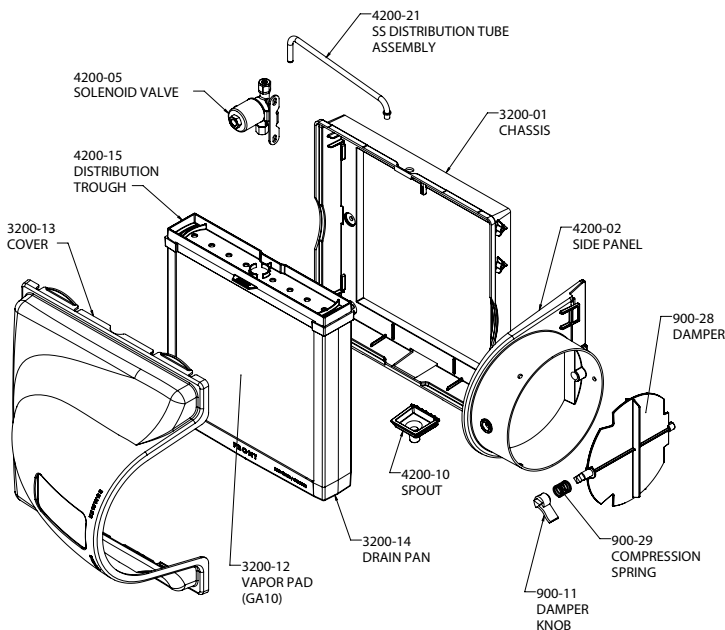


9 TEST THE OPERATION OF THE UNIT

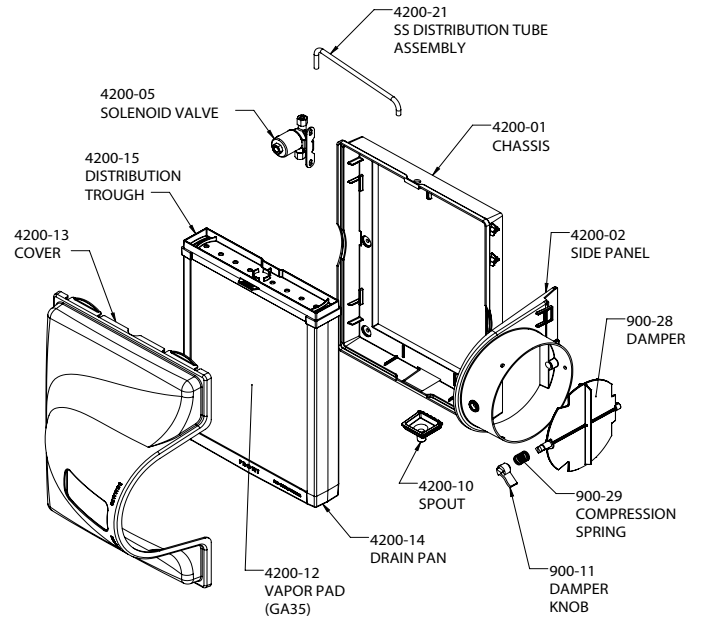
- Turn the damper knob to the WINTER position. (Fig. J)
- Turn on the water supply.
- Turn the humidistat ON (towards the left).
- The solenoid valve should be closed when not energized.
- Once the solenoid is energized the valve should open.
- Check flow of water through distributor trough and evaporator pad (3.5 GPH of water at a line pressure of 60 psi.)



3200 Humidifier Assembly



4200 Humidifier Assembly



Replace your Vapor Pad® at the beginning of each heating season.

- Model 3200 = GA10 (GFI #7905)
- Model 4200 = GA35 (GFI #7902)

Your new humidifier carries a 5-year limited warranty.

For our complete warranty policy visit www.generalfilters.com.