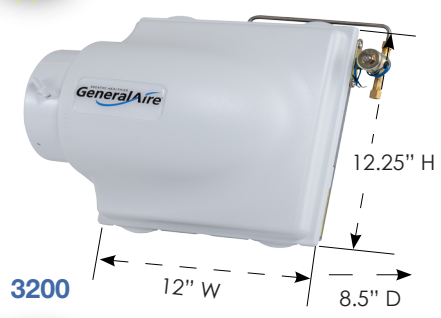


Spec Sheet

Installs Quickly & Easily



Evaporative Models	3200	4200
Order Number (Includes MHX3C Manual Humidistat)	5800	5950
Order Number (Includes GFX4 Digital Automatic Humidistat)	5801	5951
Type	Evaporative Humidifier	
Home Size (Square Feet)	Up To 3,200	Up To 4,200
GPD (Based on 120° Plenum Temperature)	Up To 12	Up To 17
Dimensions (Inches; HxWxD)	12.25 x 12 x 8.5	15 x 12 x 8.5
Weight (Pounds)	7	8
Replacement Vapor Pad® (Replace Once Per Season)	GA10 (GFI #7905)	GA35 (GFI #7902)
Installation	Warm Air / Return Air Plenum / Right or Left Side	
Plenum Opening (Inches)	9.125 x 9.125	9.125 W x 12 H
Bypass Opening (Inches)	6	
Pallet Quantity	36	30
Cabinet Construction	UV-Stable Automotive Grade Plastic	
Voltage (Volts)	24	
Warranty (Years)	5	
In The Box	Humidifier, Humidistat, Control Bypass Damper, 24V Transformer, Solenoid Valve, Vapor Pad®, Push-to-Connect Valve, Installation Manual, Mounting Template, Parts Kit.	



3200



4200

Accessories



MHX3C (GFI #7038)
Manual Humidistat
Included With Models
3200M & 4299M



GFX4 (GFI #7170)
Automatic Humidistat
Included With Models
3200A & 4200A



Designed & Assembled
in Michigan, USA



General Filters
Inc.

43800 Grand River Avenue Novi, Michigan 48375 Toll Free: (866) 476-5101 www.generalaire.com

Spec Sheet

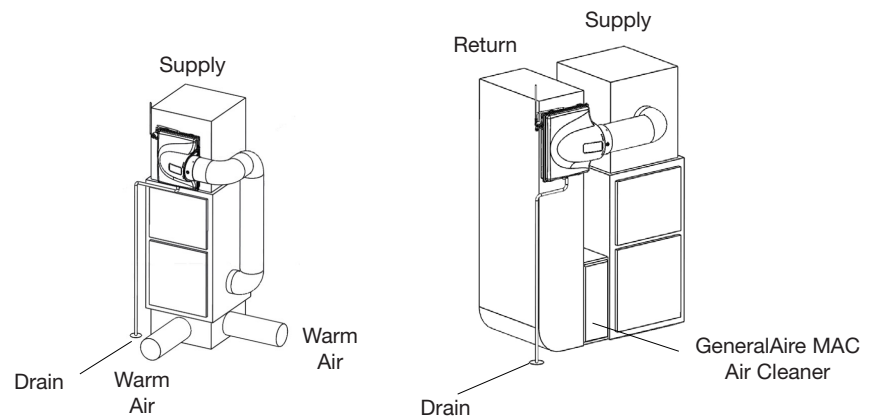
Models 3200 & 4200 Features

- Model 3200 is suitable for homes up to 3200 square feet. Model 4200 is suitable for homes up to 4200 square feet.
- Newly designed, low profile cover ensures heated air goes directly through the Vapor Pad® at its warmest point.
- Newly designed distributor trough ensures even water saturation over the entire Vapor Pad® for maximum humidity output.
- Redesigned Vapor Pad® frame profile is thinner; exposing more of the saturated Vapor Pad® for maximum humidity output.
- Easy snap-in-place UV stable cover allows for quick access to Vapor Pad®.
- Stainless steel distributor tube allows for either cold or hot water supply.
- Left or right bypass installation options.
- Left or right solenoid valve installation options.
- MHX3 manual control (M Models) or GFX4 digital automatic humidistat (A Models) is included.

Installation

Vertical plenum surface of any forced air furnace

Installs Quickly & Easily



Maintenance

Replace the Vapor Pad® at least once per year.

Product Support

- Installation Manual
- Home Owner Brochure
- Competitive Comparison
- www.generalaire.com
- Tech Support (866) 476-5101



For Model 3200
(GFI #7905)



For Model 4200
(GFI #7902)