

Job Name/Location: _____

Tag #: _____

Date: _____

For: File Resubmit
 Approval Other _____

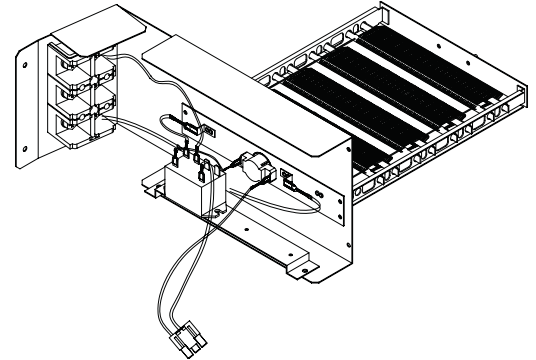
PO No.: _____

Architect: _____ GC: _____

Engr: _____ Mech: _____

Rep: _____
(Company) (Project Manager)

ANEH203B2
20kW Electric Heat Kit
 For Vertical Air Handling Units



Electrical Input:

Power Supply (V/Hz/Ø)	208/230V, 60Hz, 1Ph (X2)
Control	Wiring harness connects to VAHU control board

Heater Compatibility with VAHU IDUs:

Multi V	ARNUxxxNJA4; ARNUxxxNKA4
Multi F/Multi F MAX	LVNxxxHV4
Single Zone	LVNxxxHV4; LVNxxxHV

Static Pressure Drop Factors

Heater Model	Multi V IDU Static Pressure Drop (in. wc)	Single Zone and Multi F/Multi F MAX Static Pressure Drop in. wc / Downflow
ANEH203B2	-0.06	-0.04 / -0.01

Notes:

1. Must follow instructions in applicable LG installation manual.
2. Must follow all applicable local and national codes.
3. Requires separate power supply.
4. If a Third-Party Dry Contact and an LG internal heater or an LG Auxiliary Heater Kit is installed, supplemental heat capability cannot be controlled by the Third-Party Thermostat.

Minimum Airflow for Multi V VAHUs:

Heater Model	IDU Capacity kBtu/h (RT)	CFM
ANEH203B2	12 (1.0)	Not Available
ANEH203B2	18 (1.5)	Not Available
ANEH203B2	24 (2.0)	Not Available
ANEH203B2	30 (2.5)	Not Available
ANEH203B2	36 (3.0)	800
ANEH203B2	42 (3.5)	1000
ANEH203B2	48 (4.0)	1000
ANEH203B2	54 (4.5)	1260

Minimum Airflow for Single Zone and Multi F/Multi F MAX VAHUs:

Heater Model	IDU Capacity kBtu/h (RT)	CFM
ANEH203B2	18 (1.5)	Not Available
ANEH203B2	24 (2.0)	Not Available
ANEH203B2	36 (3.0)	800
ANEH203B2	42 (3.5)	1000
ANEH203B2	48 (4.0)	1000

Heater Model	Power Supply	Capacity (kW @ 208/230V)	Heater Amps (Amps @ 208/230V)				Minimum Circuit Amps (Amps @ 208/230V)			
			Single Circuit	Dual Circuit		Single Circuit	Dual Circuit			
				L1, L3	L2, L4		L1, L3	L2, L4		
ANEH203B2	208/230V, 60Hz, 1Ph	17.3 / 20	–	41.8 / 43.5	41.8 / 43.5	–	52.3 / 54.3	52.3 / 54.3		

Heater Model	Circuit Breaker (Amps @ 208/230V)			Power Cable AWG ³			Size of Conduit (inch)	Knockout Diameter (inch)
	Single Circuit	Dual Circuit		Single Circuit	Dual Circuit			
		L1, L3	L2, L4		L1, L3	L2, L4		
ANEH203B2	–	60 / 60	60 / 60	–	6 / 6	6 / 6	1-1/4	1-23/32



For a complete list of available accessories, contact your LG representative.

For continual product development, LG reserves the right to change specifications without notice.

Job Name/Location: _____

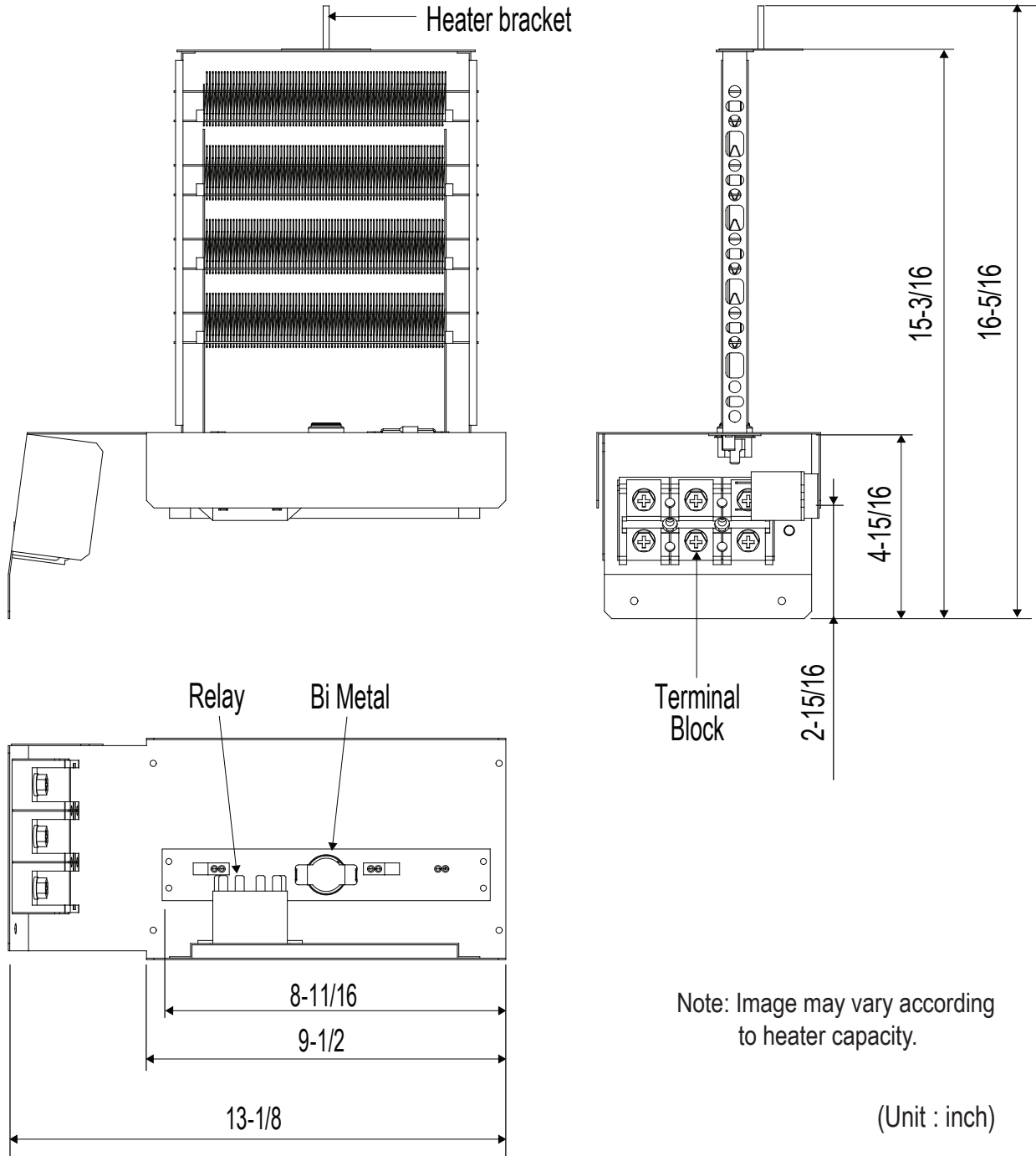
ANEH203B2
20kW Electric Heat Kit
For Vertical Air Handling Units



Tag No.: _____

Date: _____

PO No.: _____



Note: Image may vary according to heater capacity.

(Unit : inch)