

Job Name/Location: \_\_\_\_\_

Tag #: \_\_\_\_\_

Date: \_\_\_\_\_

For:  File  Resubmit  
 Approval  Other \_\_\_\_\_

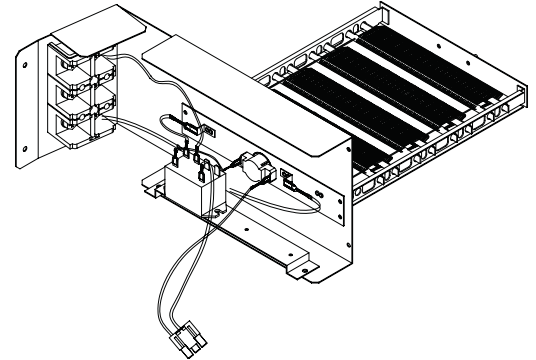
PO No.: \_\_\_\_\_

Architect: \_\_\_\_\_ GC: \_\_\_\_\_

Engr: \_\_\_\_\_ Mech: \_\_\_\_\_

Rep: \_\_\_\_\_  
(Company) (Project Manager)

**ANEH033B1**  
**3kW Electric Heat Kit**  
 For Vertical Air Handling Units



**Electrical Input:**

Power Supply (V/Hz/Ø)	208/230V, 60Hz, 1Ph
Control	Wiring harness connects to VAHU control board

**Heater Compatibility with VAHU IDUs:**

Multi V	ARNUxxxNJA4; ARNUxxxNKA4
Multi F/Multi F MAX	LMVNxxxHV; LVNxxxHV4
Single Zone	LVNxxxHV4; LVNxxxHV

**Static Pressure Drop Factors**

Heater Model	Multi V IDU Static Pressure Drop (in. wc)	Single Zone and Multi F/Multi F MAX Static Pressure Drop in. wc / Downflow
ANEH033B1	-0.01	-0.01 / -0.01

**Notes:**

1. Must follow instructions in applicable LG installation manual.
2. Must follow all applicable local and national codes.
3. Requires separate power supply.
4. If a Third-Party Dry Contact and an LG internal heater or an LG Auxiliary Heater Kit is installed, supplemental heat capability cannot be controlled by the Third-Party Thermostat.
5. Airflow for LMVN360HV is 780 CFM

**Minimum Airflow for Multi V VAHUs:**

Heater Model	IDU Capacity kBtu/h (RT)	CFM
ANEH033B1	12 (1.0)	380
ANEH033B1	18 (1.5)	480
ANEH033B1	24 (2.0)	480
ANEH033B1	30 (2.5)	630
ANEH033B1	36 (3.0)	800
ANEH033B1	42 (3.5)	1000
ANEH033B1	48 (4.0)	1000
ANEH033B1	54 (4.5)	1260

**Minimum Airflow for Single Zone and Multi F/Multi F MAX VAHUs:**

Heater Model	IDU Capacity kBtu/h (RT)	CFM
ANEH033B1	18 (1.5)	480
ANEH033B1	24 (2.0)	480
ANEH033B1	36 (3.0)	780 <sup>4</sup> /800
ANEH033B1	42 (3.5)	1000
ANEH033B1	48 (4.0)	1000

Heater Model	Power Supply	Capacity (kW @ 208/230V)	Heater Amps (Amps @ 208/230V)			Minimum Circuit Amps (Amps @ 208/230V)		
			Single Circuit	Dual Circuit		Single Circuit	Dual Circuit	
				L1, L3	L2, L4		L1, L3	L2, L4
ANEH033B1	208/230V, 60Hz, 1Ph	2.46 / 3	11.8 / 13	-	-	14.8 / 16.3	-	-

Heater Model	Circuit Breaker (Amps @ 208/230V)			Power Cable AWG <sup>3</sup>			Size of Conduit (inch)	Knockout Diameter (inch)
	Single Circuit	Dual Circuit		Single Circuit	Dual Circuit			
		L1, L3	L2, L4		L1, L3	L2, L4		
ANEH033B1	20 / 20	-	-	10 / 10	-	-	1/2	7/8



For a complete list of available accessories, contact your LG representative.

For continual product development, LG reserves the right to change specifications without notice.

Job Name/Location: \_\_\_\_\_

**ANEH033B1**  
**3kW Electric Heat Kit**  
For Vertical Air Handling Units



Tag No.: \_\_\_\_\_

Date: \_\_\_\_\_

PO No.: \_\_\_\_\_

