

Job Name/Location: _____

Tag #: _____

Date: _____

For: File Resubmit
 Approval Other _____

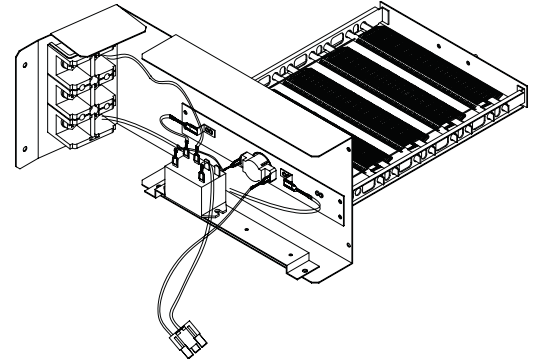
PO No.: _____

Architect: _____ GC: _____

Engr: _____ Mech: _____

Rep: _____
(Company) (Project Manager)

ANEH083B2
8kW Electric Heat Kit
 For Vertical Air Handling Units



Electrical Input:

Power Supply (V/Hz/Ø)	208/230V, 60Hz, 1Ph
Control	Wiring harness connects to VAHU control board

Heater Compatibility with VAHU IDUs:

Multi V	ARNUxxxNJA4; ARNUxxxNKA4
Multi F/Multi F MAX	LMVNxxxHV; LVNxxxHV4
Single Zone	LVNxxxHV4; LVNxxxHV

Static Pressure Drop Factors

Heater Model	Multi V IDU Static Pressure Drop (in. wc)	Single Zone and Multi F/Multi F MAX Static Pressure Drop in. wc / Downflow
ANEH083B2	-0.02	-0.02 / -0.01

Notes:

1. Must follow instructions in applicable LG installation manual.
2. Must follow all applicable local and national codes.
3. Requires separate power supply.
4. If a Third-Party Dry Contact and an LG internal heater or an LG Auxiliary Heater Kit is installed, supplemental heat capability cannot be controlled by the Third-Party Thermostat.
5. Airflow for LMVN360HV is 780 CFM

Minimum Airflow for Multi V VAHUs:

Heater Model	IDU Capacity kBtu/h (RT)	CFM
ANEH083B2	12 (1.0)	380
ANEH083B2	18 (1.5)	480
ANEH083B2	24 (2.0)	480
ANEH083B2	30 (2.5)	630
ANEH083B2	36 (3.0)	800
ANEH083B2	42 (3.5)	1000
ANEH083B2	48 (4.0)	1000
ANEH083B2	54 (4.5)	1260

Minimum Airflow for Single Zone and Multi F/Multi F MAX VAHUs:

Heater Model	IDU Capacity kBtu/h (RT)	CFM
ANEH083B2	18 (1.5)	480
ANEH083B2	24 (2.0)	480
ANEH083B2	36 (3.0)	780 ⁴ /800
ANEH083B2	42 (3.5)	1000
ANEH083B2	48 (4.0)	1000

Heater Model	Power Supply	Capacity (kW @ 208/230V)	Heater Amps (Amps @ 208/230V)			Minimum Circuit Amps (Amps @ 208/230V)		
			Single Circuit	Dual Circuit		Single Circuit	Dual Circuit	
				L1, L3	L2, L4		L1, L3	L2, L4
ANEH083B2	208/230V, 60Hz, 1Ph	6.56 / 8	31.6 / 34.8	-	-	40 / 43.5	-	-

Heater Model	Circuit Breaker (Amps @ 208/230V)			Power Cable AWG ³			Size of Conduit (inch)	Knockout Diameter (inch)
	Single Circuit	Dual Circuit		Single Circuit	Dual Circuit			
		L1, L3	L2, L4		L1, L3	L2, L4		
ANEH083B2	50 / 50	-	-	6 / 6	-	-	1	1-23/64



For a complete list of available accessories, contact your LG representative.

For continual product development, LG reserves the right to change specifications without notice.

Job Name/Location: _____

ANEH083B2
8kW Electric Heat Kit
For Vertical Air Handling Units



Tag No.: _____

Date: _____

PO No.: _____

