

Job Name/Location:

Tag No.:

Date:

For:	File	Resubmit
	Approval	Other_____

PO No.:

Architect: _____ GC: _____

Engr: _____ Mech: _____

Rep: _____
(Company) (Project Manager)

LA090HYV3
Art Cool™ Premier Single Zone Inverter
 Outdoor Unit (ODU) - LAU090HYV3 Indoor Unit (IDU) - LAN090HYV3



Performance:

Cooling:

Cooling Capacity (Min~Rated~Max) (Btu/h)	1,023 ~ 9,000 ~ 13,000
SEER2	27.0
EER2	15.8

SEER - Seasonal Energy Efficiency Ratio EER - Energy Efficiency Ratio

Heating:

Heating Capacity (Min~Rated~Max) (Btu/h)	1,023 ~ 11,000 ~ 20,472
HSPF2	13.5
Max. Heating @ Indoor 70°F DB	11,940
Outdoor 17°F WB	11,000
Outdoor 5°F WB	8,030
Outdoor -13°F WB	8,030

HSPF - Heating Seasonal Performance Factor

Cooling Nominal Test Conditions: Indoor: 80°F DB / 67°F WB Heating Nominal Test Conditions: Indoor: 70°F DB / 60°F WB
 Outdoor: 95°F DB / 75°F WB Outdoor: 47°F DB / 43°F WB

Outdoor Unit:

MOP (A)	15
MCA (A)	11.2
Cooling / Heating Rated Amps (A)	8.7/8.7
Compressor (A)	8.3
Fan Motor (A)	0.4

MOP - Maximum Overcurrent Protection MCA - Minimum Circuit Ampacity

Total Power Input:

Cooling Power Input (kW)	0.57
Heating Power Input (kW)	0.71

Piping:

Liquid Line (in., O.D.)	1/4
Vapor Line (in., O.D.)	3/8
Additional Refrigerant (oz./ft.)	0.22
Min. / Max. Pipe Length (ft.) ²	9.8 / 65.6
Piping Length (no add'l refrig., ft.)	24.6
Max. Elevation (ft.)	39.4

Features:

- 24-Hour on/off timer
- 4-Way auto swing
- Auto restart / changeover
- Jet cool/Jet heat
- Built-in low ambient standard, down to 14°F (cooling mode)
- Chaos Wind
- Condensate Sensor Connection
- Defrost Control
- Dehumidifying Mode
- Hot Start
- Inverter (variable speed compressor)
- Smart Diagnosis
- Washable Filter
- Soft Dry Operation
- Self-cleaning indoor coil
- Built-in base pan heater
- Cooling only/heating only function
- Built-in Wi-Fi via Smart ThinQ app

Optional Accessories:

- Simple Remote Controller - PREMT000
- Standard III Remote Controller (White / Black) - PREMTB100 / PREMTBB10
- MultiSITE™ CRC* - PREMTBVC2/C3/C4
- MultiSITE Comm. Mgr. - PBACNBTR0A
- PI-485 - PMNFP14A1
- Dry Contact - PDRYCB100/320/400
- AC Smart 5 - PACSSA000
- ACP 5 - PACPSA000
- Low Ambient Wind Baffle (Cooling operation to 0°F) - ZLABGP03A

Proper sizing and installation of equipment is critical to achieve optimal performance. Split system air conditioners and heat pumps (excluding ductless systems) must be matched with appropriate coil components to meet ENERGY STAR® criteria. Ask your contractor for details or visit www.energystar.gov.

(ENERGY STAR and the ENERGY STAR mark are registered trademarks owned by the U.S. Environmental Protection Agency.)

For a complete list of available accessories, contact your LG representative.

For continual product development, LG reserves the right to change specifications without notice.

© LG Electronics U.S.A., Inc., Englewood Cliffs, NJ. All rights reserved. "LG Life's Good" is a registered trademark of LG Corp. / www.lghvac.com

Operating Range:

Outdoor Unit:

Cooling (°F DB)	14 ~ 118
Heating (°F WB)	-13 ~ +65

Indoor Unit:

Cooling (°F WB)	53 ~ 75
Heating (°F DB)	60 ~ 86

Electrical:

Power Supply (V/Hz/Ø)	208-230/60/1
-----------------------	--------------

System Data:

Refrigerant Type	R410A
Refrigerant Control	EEV
Refrigerant Charge (lbs.)	2.54
ODU Sound Pressure (Max., Cool / Heat) (±1 dB[A]) ³	48/50
IDU Sound Pressure	
Cooling (H/M/L/Sleep) (±1 dB[A]) ³	42/36/26/22
Heating (H/M/L) (±1 dB[A]) ³	42/36/26
ODU Net / Shipping Weight (lbs.)	93.9/103.2
IDU Net / Shipping Weight (lbs.)	25.1/29.5
Heat Exchanger Coating	GoldFin™

Fan:

ODU Type	Propeller
IDU Type	Cross Flow
Fan Speeds (Fan/Cool/Heat)	6 / 6 / 6
Quantity (ODU + IDU)	1 + 1
Motor/Drive	Brushless Digitally Controlled/Direct
ODU Max. Air Flow Rate (CFM)	1730
IDU Air Flow	
Cooling, Max/H/M/L (CFM)	530 / 424 / 353 / 184
Heating, Max/H/M/L (CFM)	530 / 424 / 353 / 184
Dehumidification (pts./hr.)	3.17

Notes:

1. Acceptable operating voltage: 187V-253V.
2. Piping lengths are equivalent.
3. Sound Pressure levels are tested in an anechoic chamber under ISO Standard 3745.
4. All communication / connection (power) cable from the outdoor unit to the indoor unit is field supplied and must be a minimum of four-conductor, 14 AWG, stranded, shielded or unshielded (if shielded, it must be grounded to the chassis of the outdoor unit only), and must comply with applicable local and national codes.
5. See Engineering Manual for sensible and latent capacities.
6. Power wiring cable size must comply with the applicable local and national code.
7. The indoor unit comes with a dry helium charge.
8. This data is rated 0 ft. above sea level, with 24.6 ft. of refrigerant line and a 0 ft. level difference between outdoor and indoor units.
9. Must follow installation instructions in the applicable LG installation manual.



Job Name/Location: _____

LA090HYV3

Art Cool™ Premier Single Zone Inverter

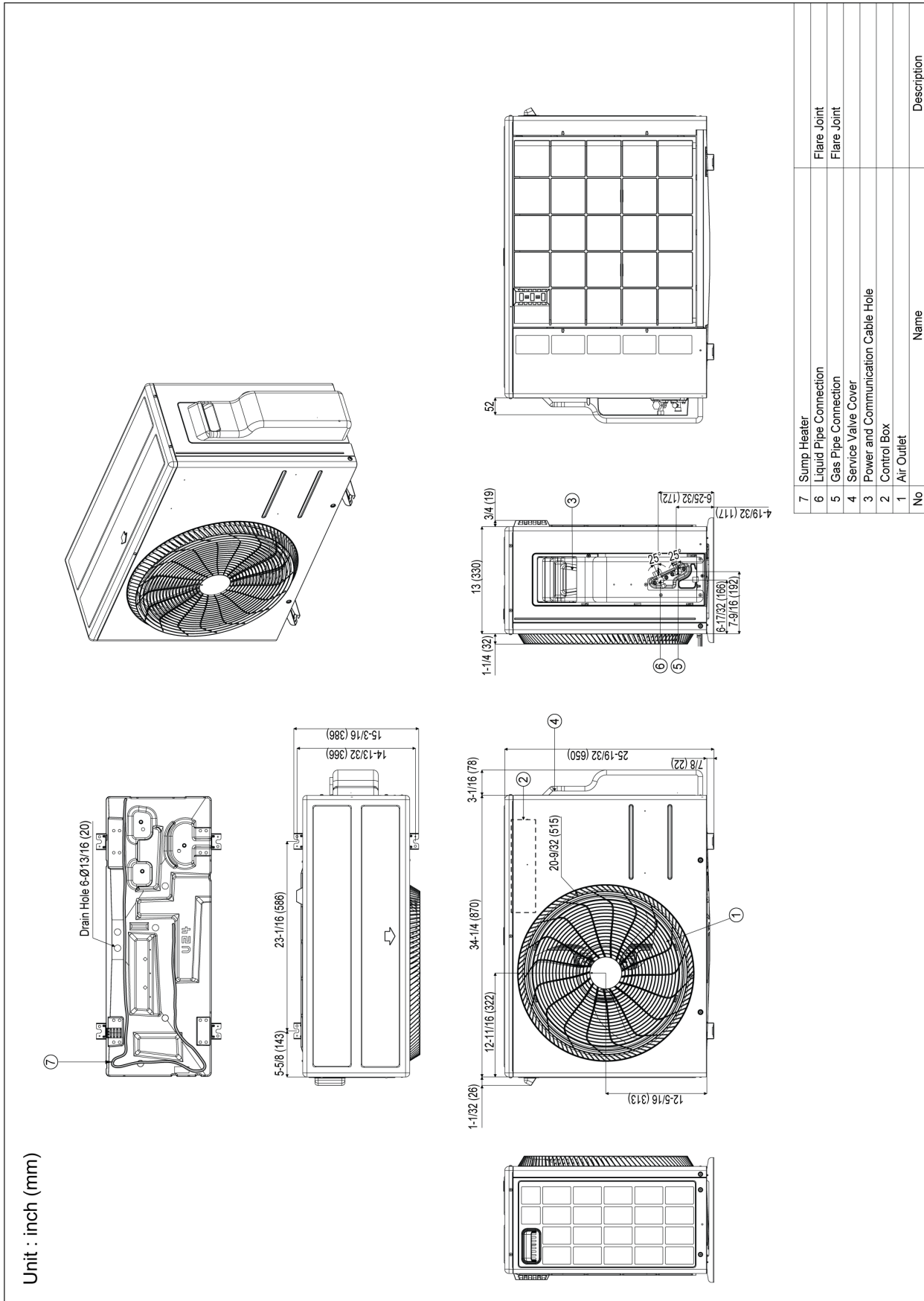
Outdoor Unit (ODU) - LAU090HYV3 Indoor Unit (IDU) - LAN090HYV3



Tag No.: _____

Date: _____

PO No.: _____



No	Name	Description
7	Sump Heater	
6	Liquid Pipe Connection	Flare Joint
5	Gas Pipe Connection	Flare Joint
4	Service Valve Cover	
3	Power and Communication Cable Hole	
2	Control Box	
1	Air Outlet	

LA090HYV3

Art Cool™ Premier Single Zone Inverter

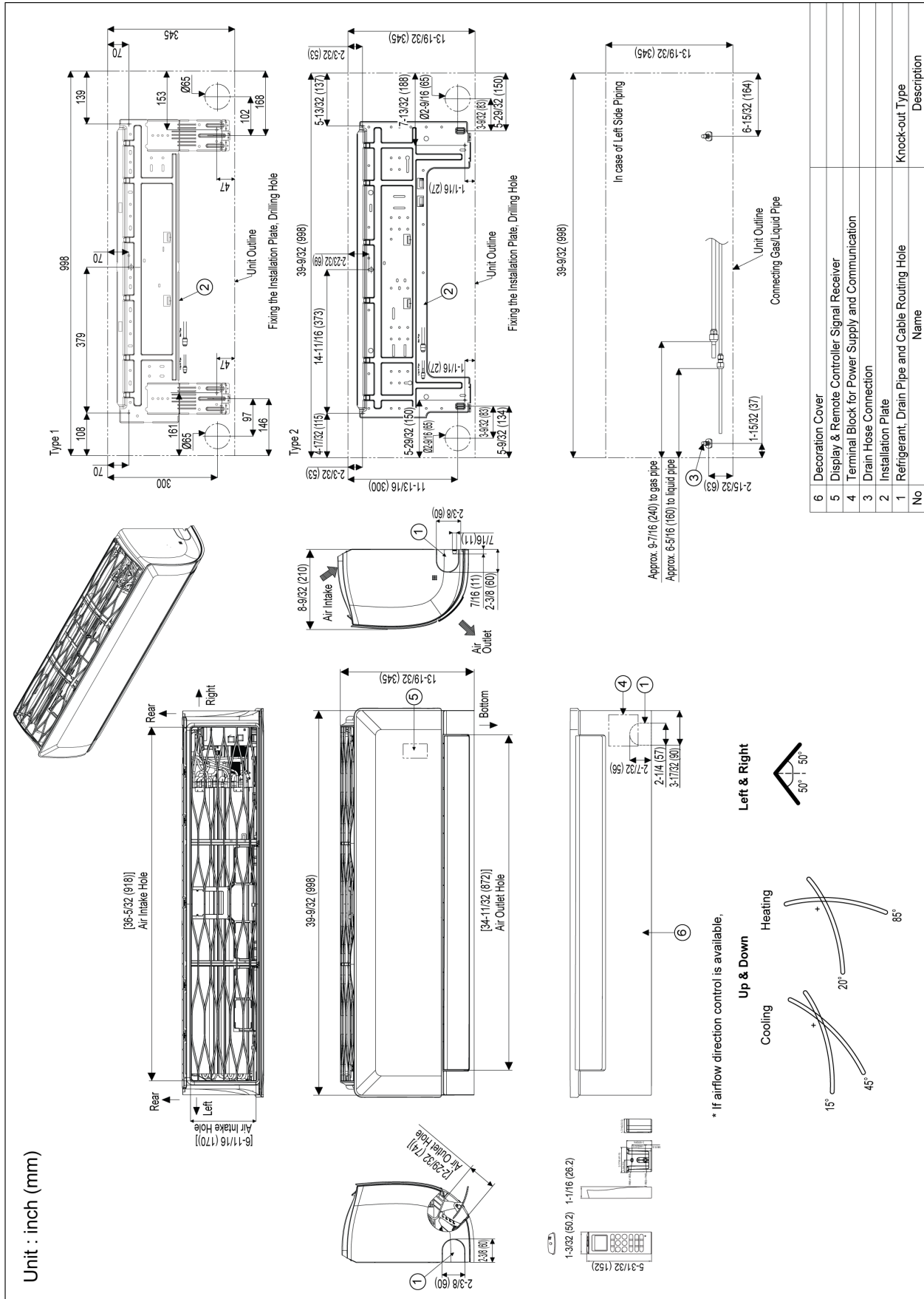
Outdoor Unit (ODU) - LAU090HYV3 Indoor Unit (IDU) - LAN090HYV3



Tag No.: _____

Date: _____

PO No.: _____



No	Name	Knock-out Type	Description
6	Decoration Cover		
5	Display & Remote Controller Signal Receiver		
4	Terminal Block for Power Supply and Communication		
3	Drain Hose Connection		
2	Installation Plate		
1	Refrigerant, Drain Pipe and Cable Routing Hole		