

Job Name/Location:

Tag #:

Date:

For:	File	Resubmit
	Approval	Other_____

PO No.:

Architect: GC:

Engr: Mech:

Rep:

(Company)

(Project Manager)



LDN187HV4

Multi F Ceiling-Concealed Low-Static Duct
18,000 Btu/h



Performance:

Nominal Cooling Capacity (Btu/h)	18,000
Nominal Heating Capacity (Btu/h)	20,800

Cooling Nominal Test Conditions:

Indoor: 80°F DB / 67°F WB
Outdoor: 95°F DB / 75°F WB

Heating Nominal Test Conditions:

Indoor: 70°F DB / 60°F WB
Outdoor: 47°F DB / 43°F WB

Electrical:

Power Supply (V/Hz/Ø)	208-230/60/1
Rated Amps (A)	0.80

Piping:

Installed Liquid Pipe (in., O.D.)	Ø1/4
Installed Vapor Pipe (in., O.D.)	Ø1/2
Liquid Connection (in., O.D.)	Ø1/4
Vapor Connection (in., O.D.)	Ø1/2
Drain (in., O.D. / I.D.)	1-1/4, 1
Temperature Sensor	Thermistor

Controls Features:

- Two thermistor control
- Auto operation
- Auto restart
- Control lock function
- Drain pump
- Group control
- Inverter (variable speed fan)
- Compatible with accessory Wi-Fi module¹²
- Compatible with applicable Single Zone Outdoor Units (see single zone literature for matching system details)

Optional Accessories:

- MultiSITE™ CRC1 Controller - PREMTBVC0
- MultiSITE™ CRC1+ Controller - PREMTBVC1
- Simple Remote Controller - PREMTCC00U
- Premium Remote Controller - PREMTA000
- AC Smart Premium - PQCSW421E0A
- ACP Premium - PQCP22A1
- ACP Standard - PQCP22N1
- LonWorks Gateway - PQNFB16A1
- BACnet Gateway - PQNFB17C1
- Remote Temperature Button Sensor - ZRTBS01
- Simple Dry Contact (1 contact, 24 VAC external power) - PDRYCB100
- Dry Contact for Third Party Thermostat - PDRYCB300
- Dry Contact for Economizer - PDRYCB400
- Auxiliary Heater Kit - PRARH1
- Wi-Fi Module - PWFMD200

Entering Mixed Air:

Cooling (°F WB)	57 ~ 77
Heating (°F DB)	59 ~ 81

Unit Data:

Refrigerant Type	R410A
Refrigerant Control	EEV
Sound Pressure (H/M/L) dB(A) ²	36 / 34 / 31
Primary Filter	Washable Pre-filter
Net Weight (lbs.)	48.5
Shipping Weight (lbs.)	57.3

Fan:

Type	Turbo
Quantity	1
Motor/Drive	Brushless Digitally Controlled/Direct
Air Flow H/M/L (CFM)	530 / 441 / 353
External Static Pressure ^{3,4} (in wg)	0.10
Minimum External Static Pressure ⁵	0.00
Maximum External Static Pressure ⁶	0.20

Notes:

1. Acceptable operating voltage: 187V-253V.
2. Sound Pressure levels are tested in an anechoic chamber under ISO Standard 3745.
3. Adjust fan speed to correct for static pressure increases when using field-supplied air filter.
4. At factory fan speed setting.
5. Air flow rate (CFM) at high speed.
6. See Engineering Manual for sensible and latent capacities.
7. All communication / connection (power) cable from the outdoor unit to the indoor unit is field supplied and must be a minimum of four-conductor, 18 AWG, stranded, shielded or unshielded (if shielded, it must be grounded to the chassis of the outdoor unit only), and must comply with applicable local and national codes.
8. Power wiring cable size must comply with the applicable local and national code.
9. The indoor unit comes with a dry helium charge.
10. Corresponding refrigerant piping length is in accordance with standard length of each outdoor unit and the level difference is 0 ft. All capacities are net with a combination ratio between 95 - 105%.
11. Must follow installation instructions in the applicable LG installation manual.
12. 9/12MBH models manufactured June 2018 and after; LDN187HV4 upon launch.
13. Multi compatible 18k IDUs include socket adapters for refrigerant pipe connections with single zone systems.



For a complete list of available accessories, contact your LG representative.

For continual product development, LG reserves the right to change specifications without notice.

© LG Electronics U.S.A., Inc., Englewood Cliffs, NJ. All rights reserved. "LG Life's Good" is a registered trademark of LG Corp. /www.lghvac.com

SB_MultiF_LowStaticDucted_LDN187HV4_2022_03_08_074445

Page 1 of 2

Job Name/Location: _____

LDN187HV4

Multi F Ceiling-Concealed Low-Static Duct

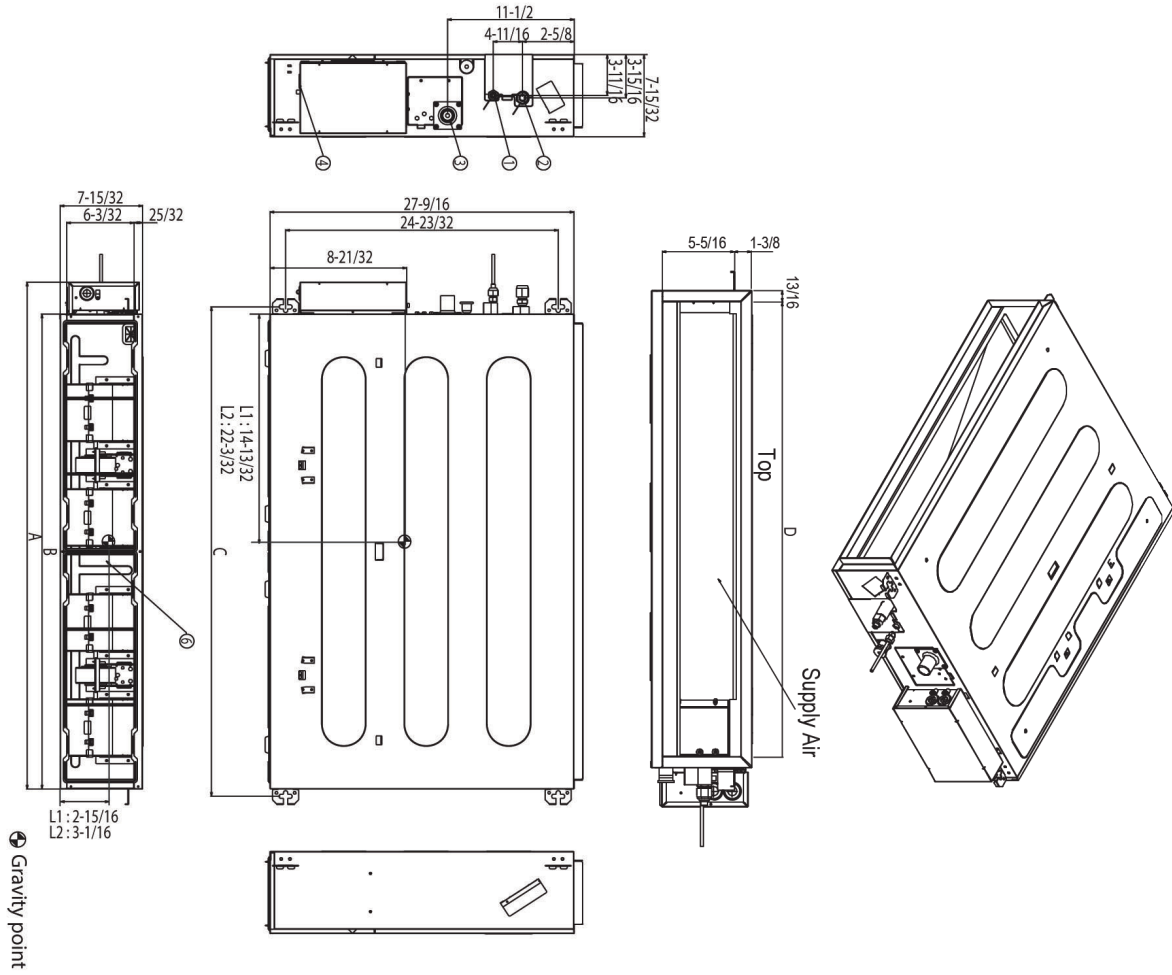
18,000 Btu/h



Tag No.: _____

Date: _____

PO No.: _____



Number	Name	Description
1	Liquid pipe connection	
2	Gas pipe connection	
3	Drain pipe connection	
4	Power supply connection	
5	Air discharge	
6	Air suction	

(unit : inch)

Model Number	A	B	C	D
LDN097HV4	30-15/32	27-9/16	28-27/32	25-31/32
LDN127HV4 LDN187HV4	38-11/32	35-7/16	36-23/32	33-27/32

(unit: inch)